

## Installation/user guide



71" SLIPPER NOVEL

We would like to take this opportunity to thank you for your purchase of this American Bath Factory Bathtub. Should you have any questions or feedback about your new bathtub, please call us toll-free at (800) 454-BATH (Monday thru Friday, 7:15 am - 4:00 pm (PST)) or email us at [info@americanbathfactory.com](mailto:info@americanbathfactory.com)



## Cleaning & Maintaining your Bathtub

Your bathtub's surface is very easy to clean. There are no pores for dirt to penetrate, so dirt will just rinse off with water. For sanitary purposes, you should occasionally clean your bathtub with non-abrasive soap and water when possible. Avoid harsh chemicals. Dish washing detergent such as JOY®, PALMOLIVE®, IVORY®, etc., is all that is required. If you spill something on the bathtub and need a stronger cleaner, the following are SAFE to use: GEL GLOSS®, TACKLE®, TOP JOB®, FORMULA 409®, WINDEX®, CLOROX BLEACH®, GLASS PLUS®, LIQUID COMET®, SOFT SCRUB®, and SPIC & SPAN POWDER®.

### IMPORTANT

**DO NOT CLEAN YOUR BATHTUB WITH GOOF OFF®, SCRUBBING BUBBLES®, LYSOL DISINFECTANT SPRAY®, DOW DISINFECTANT BATHROOM CLEANER®, PINE-SOL®, WHITE-CAP®, LES TOLL®, PAINT THINNER®, ACETONE®, LACQUER THINNER, M.E.K.**

**or other chemicals that attack the structural integrity of plastic (including, but not limited to acetones). Use of these chemicals will destroy the acrylic surface of your bathtub.**

**USE OF THESE CHEMICALS WILL VOID YOUR WARRANTY**

If you should dull, scratch, or chip your bathtub, the appearance can be restored to its original look. Scratches and dulling can be removed with a liquid polish such as Gel-Gloss®. Deep scratches or burns can be removed by using very fine sandpaper (600 grit or higher) and finished with a liquid polish.

13405 Estelle Street, Corona, California 92879  
Phone 800.454.BATH Fax 951.734.1480  
[americanbathfactory.com](http://americanbathfactory.com)

## USER GUIDE

### 71 SLIPPER NOVEL

1

#### Before You Begin

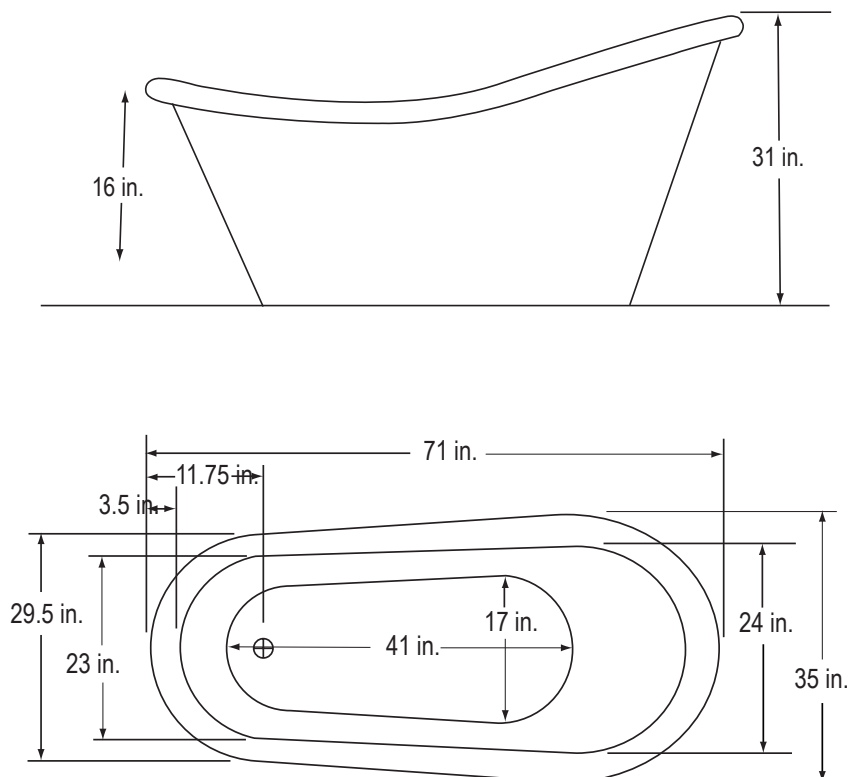
To ensure that no damage has occurred to your bathtub during shipping, it is important to check your bathtub for damage prior to the installation in your home!

## SPECIFICATIONS

**Overall Dimensions** 71" L x 35" W x 31" H

**Capacity** 58 Gallons

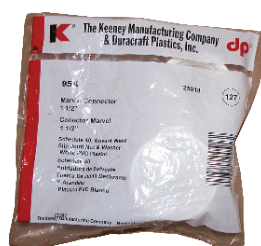
**Weight** Dry weight - 215 lbs. Full weight - 550 lbs.



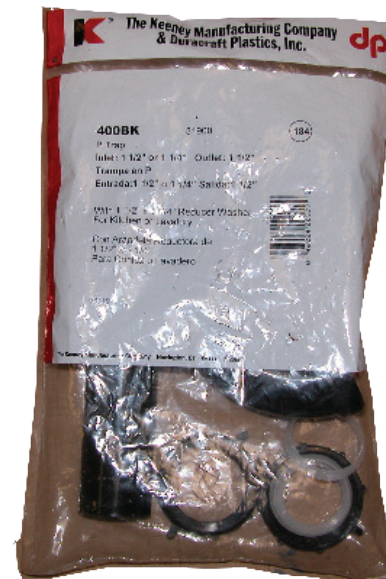
## Drain Assembly for Freestanding Bathtub

1) American Bath Factory package may include the Euro Drain Assembly (F5707-XX) seen below, depending on your main drain pipe configuration your installer will need to provide the connection fittings to connect between your main drain and our drain assembly. Lowes Home Improvement center's carry a large variety of connections needed. Most commonly used is Keeney Manufacturing fitting 400BK and 95K this is a 1 1/2" P-Trap and connection fitting seen below.

2

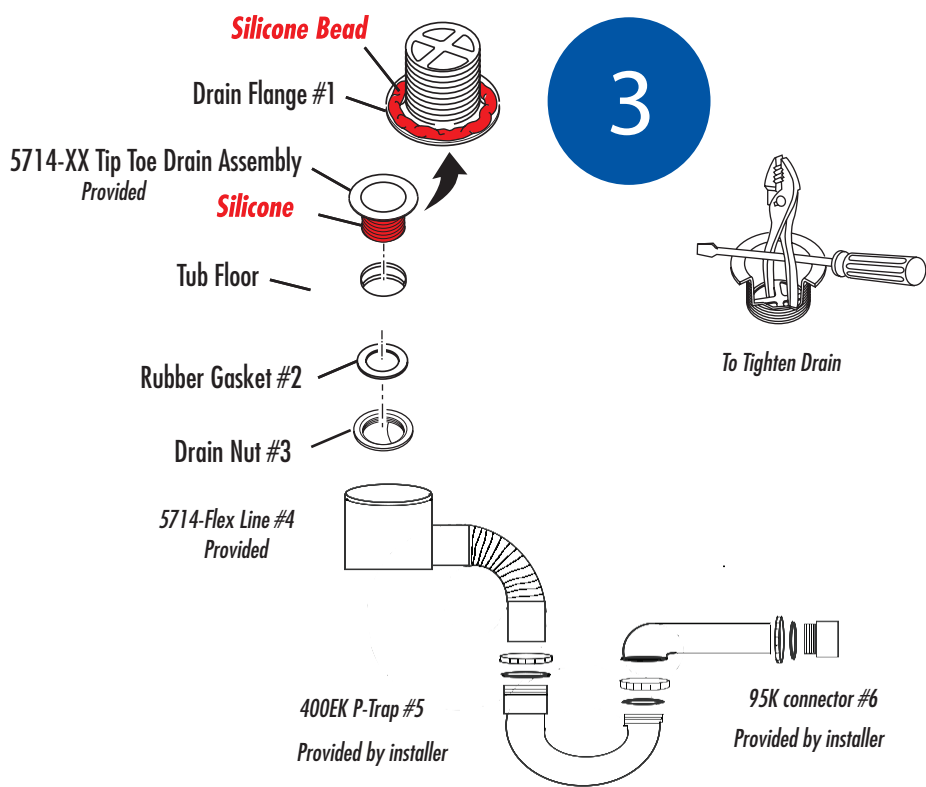


Connection Fitting 95K  
Provided by Installer

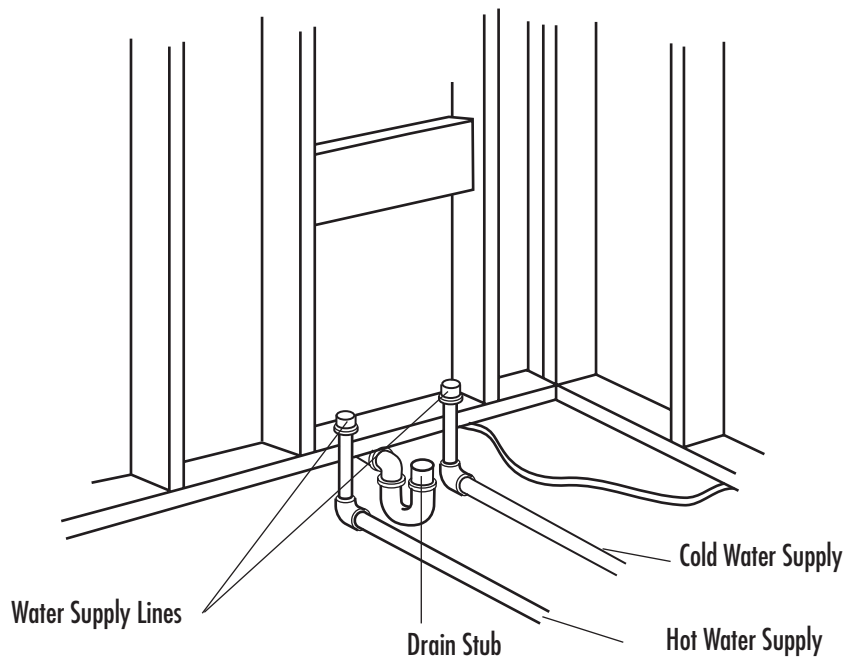


P-Trap 400BK  
Provided by Installer

## F5707-XX Drain Installation



## INSTALLATION SPECIFICATIONS



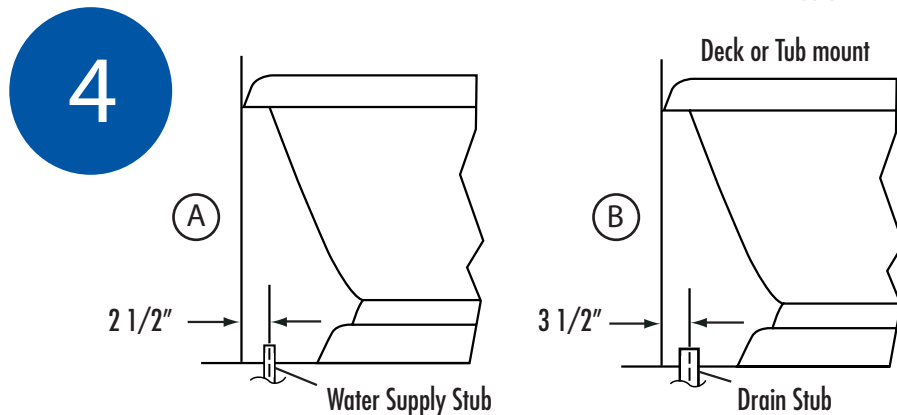
### !! IMPORTANT !!

It is recommended that the drain be installed with

**SILICONE, not Plumber's Putty!**

Disassemble the F5714-XX drain assembly, apply a liberal amount of "kitchen and bath" type silicone (available in most Home Improvement or Hardware Stores) to the drain threads and a bead on the underside of the Drain Flange (#1.)

Insert the drain flange through the drain hole, apply silicone onto bottom of bathtub around the drain and threads of drain flange. Find the flat rubber gasket (#2) disregard the tapered rubber gasket. Push the flat rubber onto the drain threads to the bottom of bathtub, apply silicone on now exposed face of flat rubber gasket. Now by hand, loosely screw (#3) Drain Nut onto the (#1) Drain Flange, only tighten until you see one or two threads below the nut. Apply silicone to the inside threads of 5714-Flex Line (#4). Place threaded part of flex connector below nut, you will screw the drain flange into the nut and 5714 Flex Line at the same time. Using the handles of a pair of pliers can help you screw the Drain securely into the drain Nut and flex connector. Once the flex connector is tight, using a monkey wrench tighten the drain nut until firmly to rubber gasket and the bottom of bathtub (holding the pliers inside the bathtub to stop the drain from spinning.) Wipe off any excess silicone around the drain with a dry cloth. Clean well for it will be very difficult to clean silicone residue from the inside of bathtub if not cleaned while silicone is wet.



(A) The faucet holes (where the supply lines are placed) are located 2 1/2" in from the edge.

(B) The drain is located 3 1/2" inches in from the edge of the bathtub.

Note: Do not use the measurements for the Deck Mount listed above if you purchased a Wall Mount or Floor Mount.

## ALIGN & SECURE YOUR BATHTUB

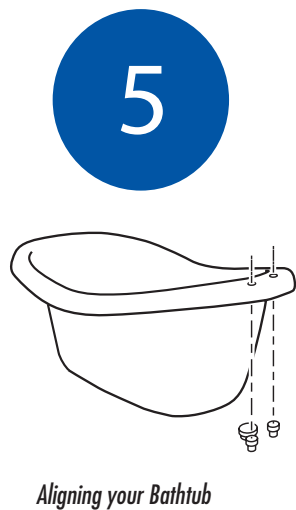
Carefully align your bathtub over the water supply stubs and drain. For deck or tub mounted faucets, it may be helpful to temporarily attach your faucet and water supply lines to the bathtub, to aid in aligning the bathtub directly over the water supply stubs.

### Securing Your Bathtub

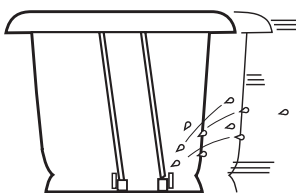
**Failure to secure your bathtub may void your warranties!**

It is very important to secure your bathtub to the floor. This avoids bending or straining the water supply connections and drain, if the bathtub is bumped or moved, possibly causing leaks.

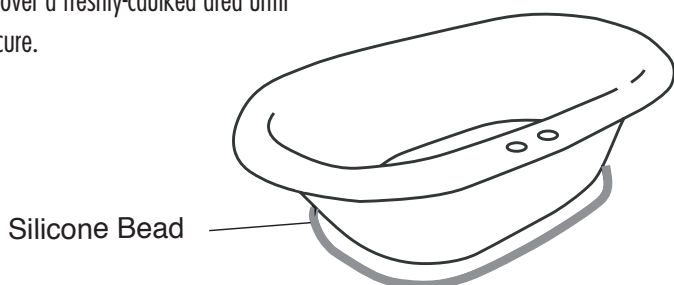
American Bath Factory's recommended method for securing your pedestal bathtub to the floor is to use silicone caulk around the base of the bathtub. Apply a bead of silicone caulk around the base of the bathtub; this helps to hold the bathtub in place. Apply the caulk slowly and only about 2 feet at a time. You can do one side at a time but work fast as this will start to form a "skin" soon after application, so work fast. Use your finger to smooth the bead. Wipe the excess from the tile and tub with a rag with lacquer thinner. Omit caulk at the back side (1" gap) where the drain is located so that if your bathtub ever leaks, water will have a chance to leak out the back and alert someone of a problem. If the bathtub base is completely sealed to the floor, a leak will only show up by dripping below the floor level. Attention: Don't go back over a freshly-caulked area until the caulk has had a chance to cure.



Aligning your Bathtub



**WARNING - Failure to secure your bathtub may cause leaks if the bathtub is moved.**



## Safety Instructions

- DANGER! To reduce the risk of injury, do not permit children to use bathtubs unless they are closely supervised by an adult at all times.
- Use this bathtub only for its intended use as described in this manual. Do not use attachments not recommended by the manufacturer.
- Do not attempt to plug in or unplug the electrical devices (including the bathtub) while in or near a filled bathtub. Never use or handle electrical devices while in or near a filled tub.
- Never drop or insert any objects into any openings.
- Only healthy adults should use the bathtub when the water temperature is between 100° and 104°F (38° - 40°C). Any temperature below 100°F is considered safe for longer durations (exceeding 10 - 15 minutes) or for young children. The water temperature in a bathtub should never exceed 104°F (40°C).
- Excessive water temperatures have a high potential for causing fetal damage during the early months of pregnancy. Pregnant or possibly pregnant women should limit bathtub temperatures to 38°C (100°F).
- The use of alcohol, drugs, or medications before or during bathing may lead to unconsciousness and the possibility of drowning.
- Use of this bathtub may cause drowsiness and changes in heart rate and/or blood pressure. Persons suffering from obesity, who have a medical history of heart disease, low or high blood pressure, circulatory problems, or diabetes should consult a physician before using. Persons using medications should consult a physician before using this bathtub.

Information in this document is subject to change without notice. Copyright 2016, American Bath Factory. All rights reserved. Reproduction in any manner whatsoever without the written permission of American Bath Factory is strictly forbidden. Trademarks and trade names used in this document refer to either the entities claiming the marks and names or their products. American Bath Factory disclaims any proprietary interest in trademarks and trade names other than its own.