

!! IMPORTANT !!

Your bathtub is a DOUBLE WALL construction. The drain needs to be installed with

SILICONE, not Plumber's Putty!

Apply a liberal amount of "kitchen and bath" type silicone (available in most Home Improvement or hardware stores) to the drain threads and a bead on the underside of the Drain Flange (See Fig. 1). Insert the Drain through the drain hole, screw into the Waste Pipe and verify that the rubber gasket is seated properly between the bottom of the tub and the Waste Pipe. The handles of a pair of pliers can help you screw the Drain securely into the Waste Pipe (See Fig. 2) Wipe off any excess silicone around the drain with a clean, dry cloth.

Allow 24 hours for the Silicone to cure completely before adding water to the bathtub.

If everything is sealed and dry, fill your bathtub 3/4 of the way and check for leaks. After the water test is complete and there are no leaks, proceed with installing your bathtub.

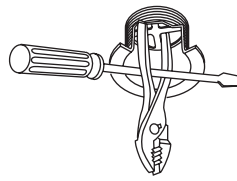


Fig. 2 - To Tighten Drain

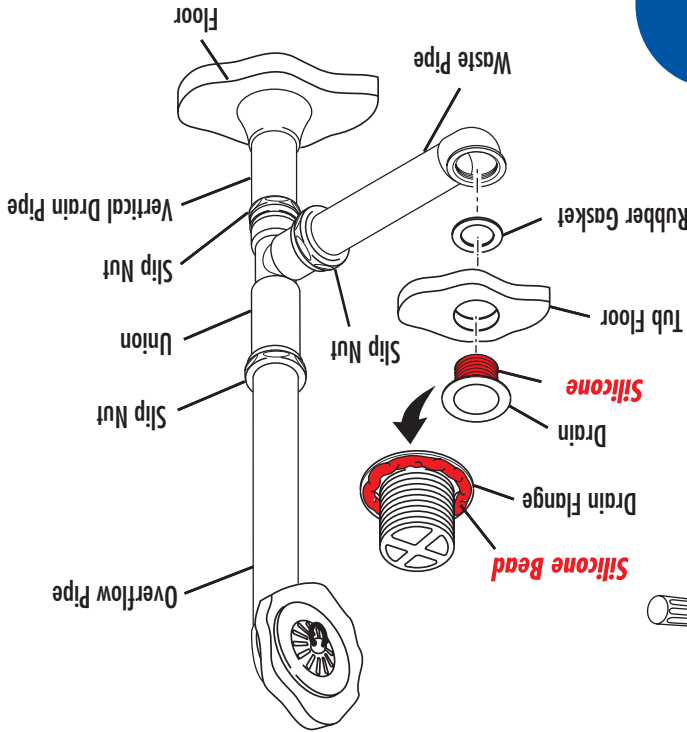


Fig. 1 - Securing Your Drain

3

Now that the water test of the bathtub drain has been completed.

Dry Fit Your Bathtub and Base

Place the base into the desired position, and rest bathtub into base. Mark and cut the drain and water supply hook-ups. Once all plumbing is in alignment and positioned as desired, mark the floor position of the base with an erasable marker to enable the disassembly and correct gluing of the base and tub to the floor.

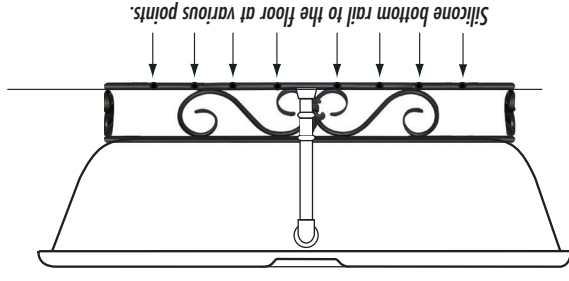
Failure to secure your bathtub may void your warranties

Attaching the Fiero Base to the bathtub

To secure the Fiero base to the bathtub, place bathtub upside down on a flat soft surface, place Fiero base onto bathtub with metal cross bars touching bottom of the tub. Align holes in base with holes in tub. Using a phillips head screwdriver attach the base to the bathtub with the enclosed screws.

Attaching the bathtub to the floor

It is very important to secure your bathtub to the floor. This avoids bending or straining the water supply connections and drain, if the bathtub is bumped or moved, possibly causing leaks. We recommend using silicone at several points where the base touches the floor. Reconnect your faucet and drain connections, test all water and drain connections for any signs of leaks.



ALIGN & SECURE YOUR BATHTUB

Now that the water test of the bathtub drain has been completed.

Dry Fit Your Bathtub and Base

Place the base into the desired position, and rest bathtub into base. Mark and cut the drain and water supply hook-ups. Once all plumbing is in alignment and positioned as desired, mark the floor position of the base with an erasable marker to enable the disassembly and correct gluing of the base and tub to the floor.

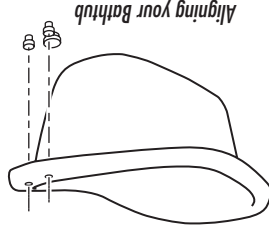
Failure to secure your bathtub may void your warranties

Attaching the Fiero Base to the bathtub

To secure the Fiero base to the bathtub, place bathtub upside down on a flat soft surface, place Fiero base onto bathtub with metal cross bars touching bottom of the tub. Align holes in base with holes in tub. Using a phillips head screwdriver attach the base to the bathtub with the enclosed screws.

Attaching the bathtub to the floor

It is very important to secure your bathtub to the floor. This avoids bending or straining the water supply connections and drain, if the bathtub is bumped or moved, possibly causing leaks. We recommend using silicone at several points where the base touches the floor. Reconnect your faucet and drain connections, test all water and drain connections for any signs of leaks.



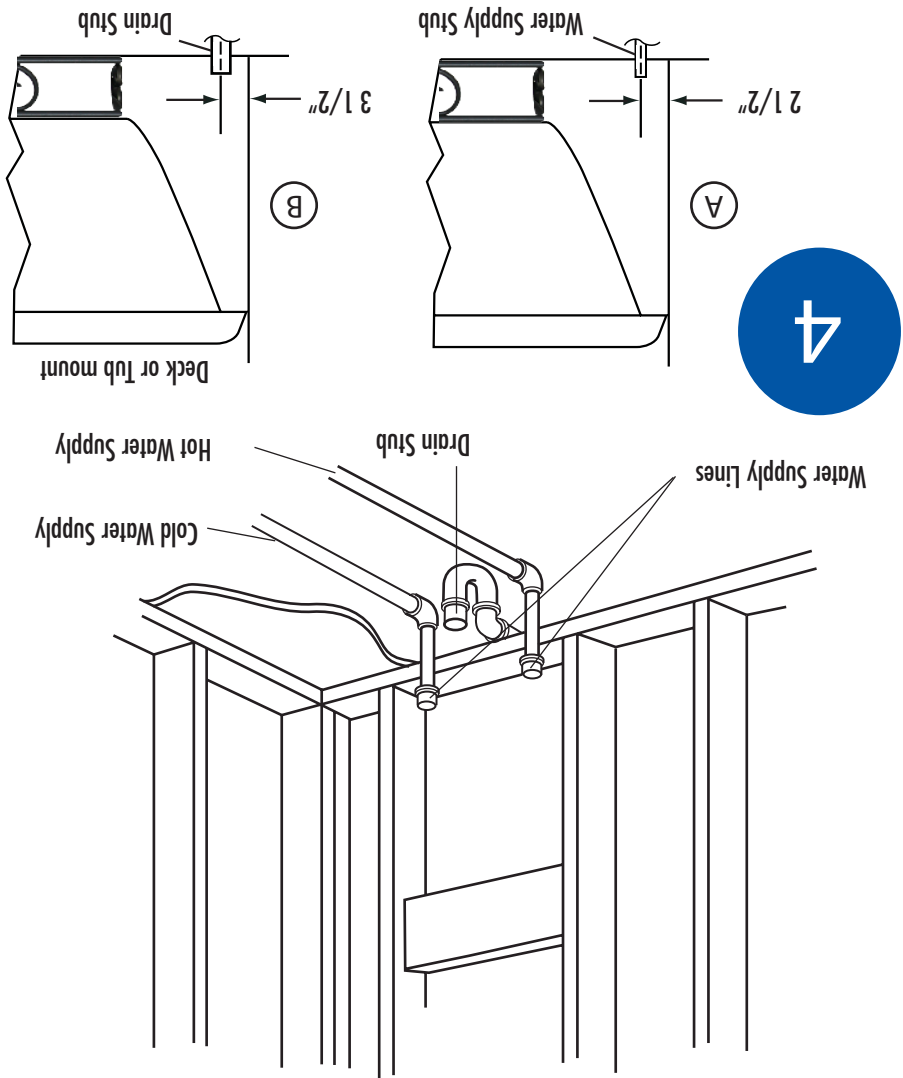
Safety Instructions

- DANGER! To reduce the risk of injury, do not permit children to use bathtubs unless they are closely supervised by an adult at all times.
- Use this bathtub only for its intended use as described in this manual. Do not use attachments not recommended by the manufacturer.
- Do not attempt to plug in or unplug the electrical devices (including the bathtub) while in or near a filled bathtub. Never use or handle electrical devices while in or near a filled tub.
- Never drop or insert any objects into any openings.
- Only healthy adults should use the bathtub when the water temperature is between 100° and 104°F (38° - 40°C). Any temperature below 100°F is considered safe for longer durations (exceeding 10 - 15 minutes) or for young children. The water temperature in a bathtub should never exceed 104°F (40°C). Excessive water temperatures have a high potential for causing fetal damage during the early months of pregnancy. Pregnant or possibly pregnant women should limit bathtub temperatures to 38°C (100°F).
- The use of alcohol, drugs, or medications before or during bathing may lead to unconsciousness and the possibility of drowning.
- Use of this bathtub may cause drowsiness and changes in heart rate and/or blood pressure. Persons suffering from obesity, who have a medical history of heart disease, low or high blood pressure, circulatory problems, or diabetes should consult a physician before using this bathtub.

Information in this document is subject to change without notice. Copyright 2016, American Bath Factory. All rights reserved. Reproduction in any manner whatsoever without the written permission of American Bath Factory is strictly forbidden. Trademarks and trade names used in this document refer to either the entities claiming the marks and names or their products. American Bath Factory disclaims any proprietary interest in trademarks and trade names other than its own.

INSTALLATION SPECIFICATIONS

4



- Ⓐ The faucet holes (where the supply lines are placed) are located 2 1/2" in from the edge.
- Ⓑ The drain is located 3 1/2" inches in from the edge of the bathtub.

Note: Do not use the measurements for the Deck Mount listed above if you purchased a Wall Mount or Floor Mount.

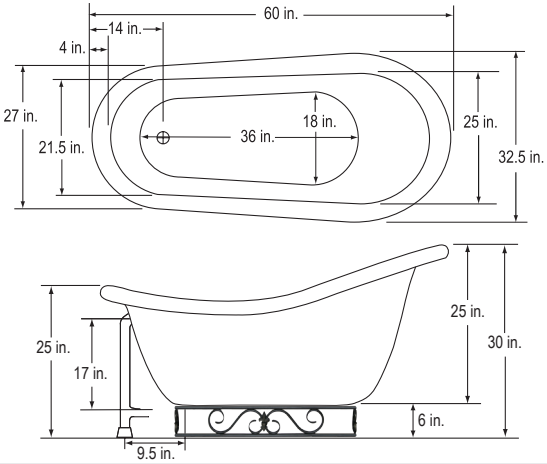
Rosa Slipper Fierro



Installation/user guide

We would like to take this opportunity to thank you for your purchase of this American Bath Factory Bathub. Should you have any questions or feedback about your new bathtub, please call us toll-free at (800) 454-BATH (Monday thru Friday, 7:15 am - 4:00 pm (PST) or email us at info@americanbathfactory.com

SPECIFICATIONS

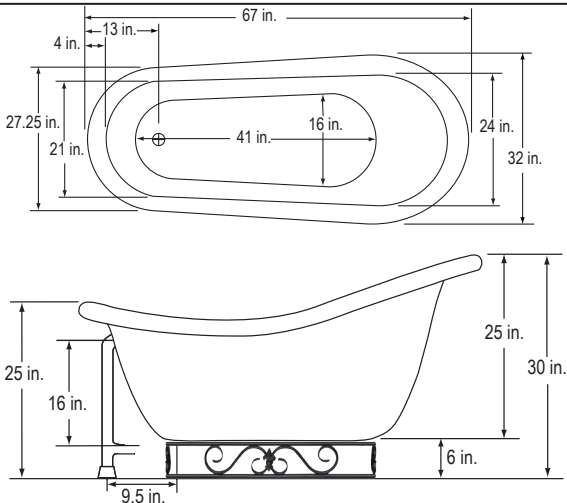


60 SLIPPER FIERRO Overall Dimensions

60" L x 32.5" W x 30" H
Capacity 40 Gallons
Weight
Dry weight - 80 lbs.
Full weight - 414 lbs.

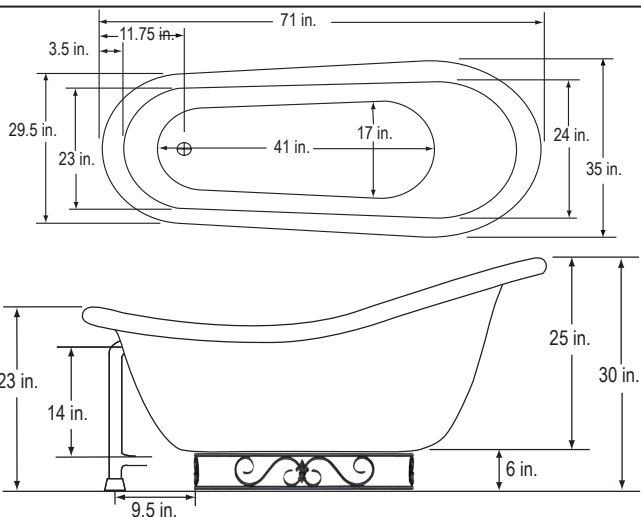
67 SLIPPER FIERRO Overall Dimensions

67" L x 32" W x 30" H
Capacity 58 Gallons
Weight
Dry weight - 90 lbs.
Full weight - 457 lbs.



71 SLIPPER FIERRO Overall Dimensions

71" L x 35" W x 30" H
Capacity 58 Gallons
Weight
Dry weight - 100 lbs.
Full weight - 584 lbs.



Cleaning & Maintaining your Bathtub

Your bathtub's surface is very easy to clean. There are no pores for dirt to penetrate, so dirt will just rinse off with water. For sanitary purposes, you should occasionally clean your bathtub with non-abrasive soap and water when possible. Avoid harsh chemicals. Dish washing detergent such as JOY, PALMOLIVE, IVORY, etc., is all that is required. If you spill something on the bathtub and need a stronger cleaner, the following are SAFE to use: GEL GLOSS, TACKLE, TOP JOB, FORMULA 409, WINDEX, CLOROX BLEACH, GLASS PLUS, LIQUID COMET, SOFT SCRUB, and SPIC & SPAN POWDER.

IMPORTANT

DO NOT CLEAN YOUR BATHTUB WITH GOOF OFF, SCRUBBING BUBBLES, LYSOL DISINFECTANT SPRAY, DOW DISINFECTANT BATHROOM CLEANER, PINE-SOL, WHITE-CAP, LES TOLL, PAINT THINNER, ACETONE, LACQUER THINNER, M.E.K. or other chemicals that attack the structural integrity of plastic (including, but not limited to acetone). Use of these chemicals will destroy the acrylic surface of your bathtub.

YOUR WARRANTY USE OF THESE CHEMICALS WILL VOID

If you should dull, scratch, or chip your bathtub, the appearance can be restored to its original look. Scratches and dulling can be removed with a liquid polish such as Gel-Gloss. Deep scratches or burns can be removed by using very fine sandpaper (600 grit or higher) and finished with a liquid polish.

13405 Estelle Street, Corona, California 92879
Phone 800.454.BATH Fax 951.734.1480
americanbathfactory.com

G_010004 Rev A

1

Before You Begin

To ensure that no damage has occurred to your bathtub during shipping, it is important to check your bathtub for damage prior to the installation in your home!

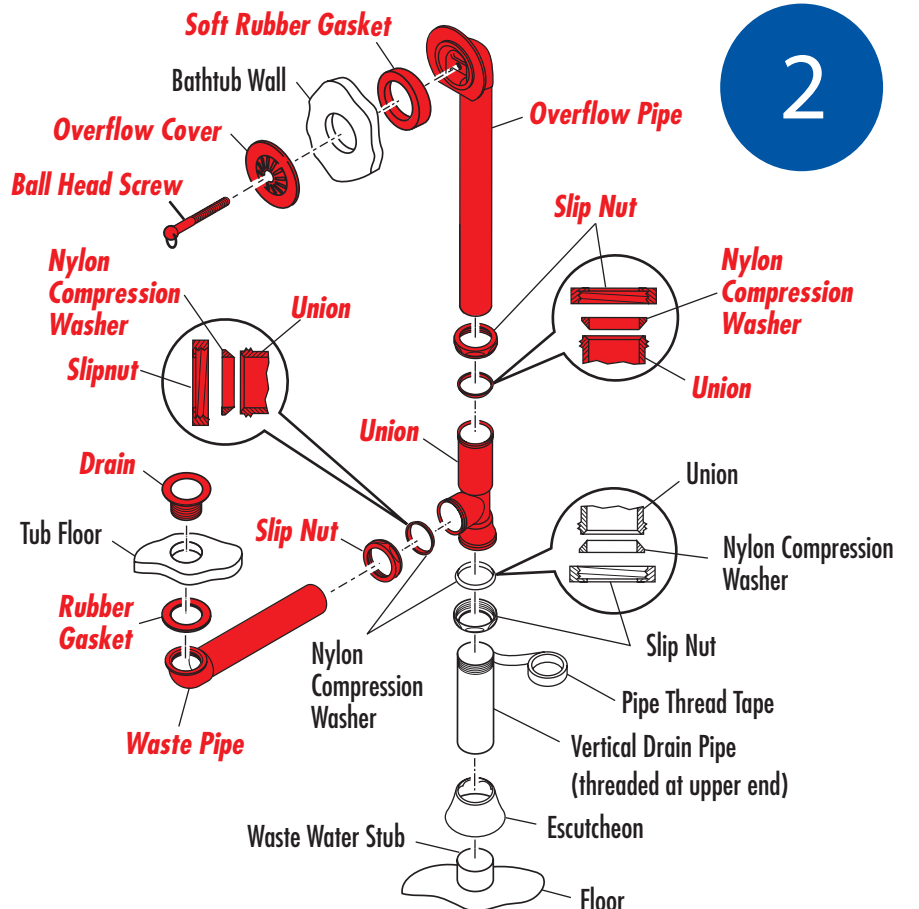
DRAIN ASSEMBLY

Move your new bathtub to a location that will not be damaged by water run-off. A driveway or patio is suitable for testing your bathtub.

We recommend that you install the waste & overflow onto the bathtub at this time.

This will help with water testing your new bathtub, these parts are highlighted in **Red**.

American Bath Factory recommends having a certified plumbing technician



2