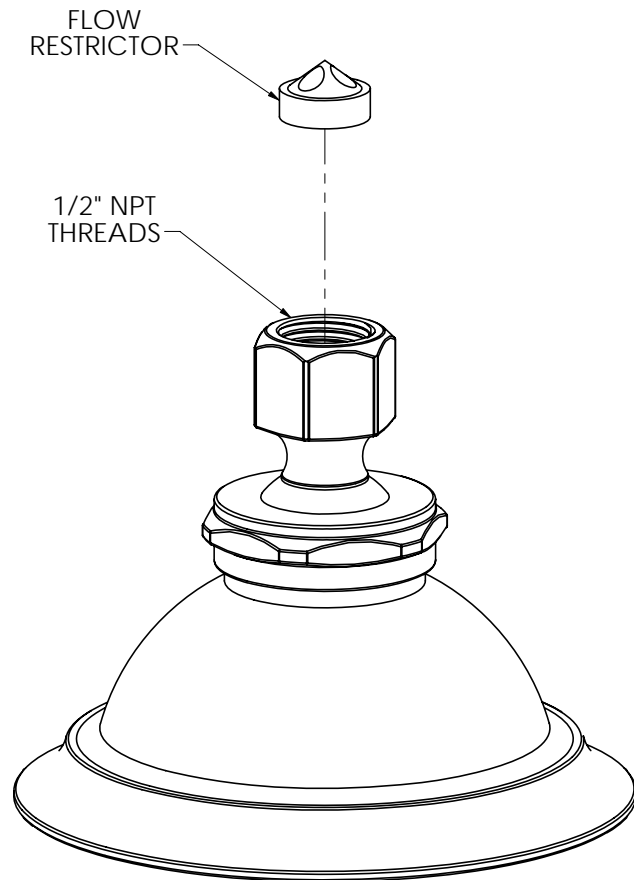
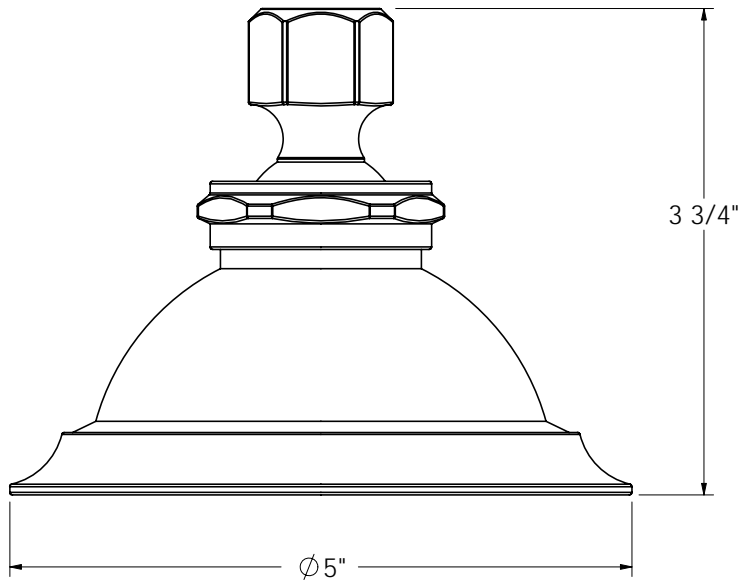
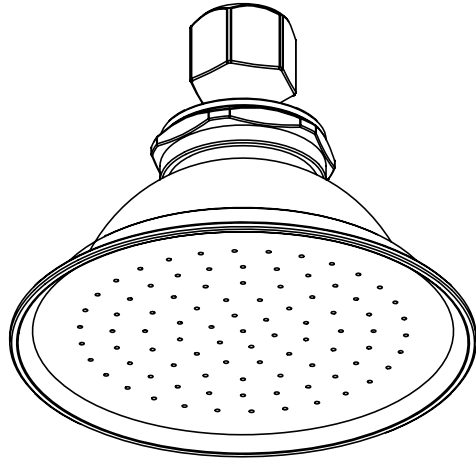


F5110 Showerhead



SPECIFICATION SHEET



- Meets ASME A112.18.1M
- 2.5 GPM Max