

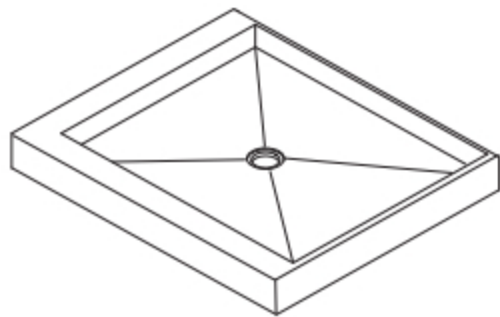
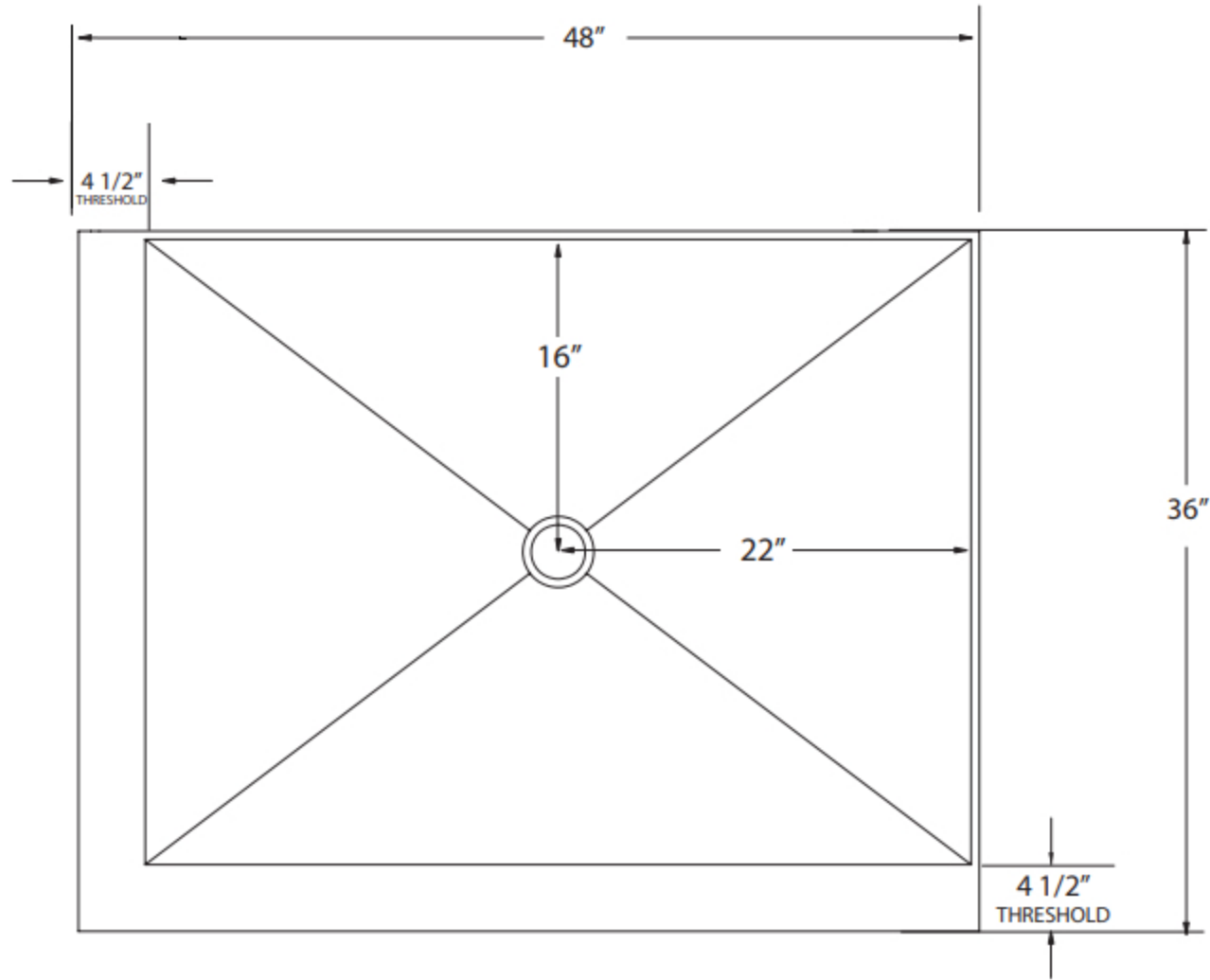
E

D

C

B

A



SCALE 1:25

NOTES:

DO NOT USE ANY PRODUCT SPECIFICATIONS TO BEGIN INSTALLATION BEFORE RECEIVING PRODUCT. THESE SPECIFICATION SHEETS ARE FOR REFERENCE ONLY. USE ACTUAL PRODUCT MEASUREMENTS ONLY. (OVERALL DIMENSION TOLERANCE IS +/- 1/4")

UNLESS OTHERWISE SPECIFIED DIMENSIONS ARE IN INCHES. TOLERANCES ARE		
X.X = ± 0.1	FRACTIONAL = ± 1/4"	
X.XX = ± 0.01	ANGULAR = ± 1/2°	
X.XXX = ± 0.005		
	NAME	DATE
DRAWN		7/17/2014
CHECKED		
ENG. APPR.		



SHOWER PAN

SIZE	PRT. NO.	REV
A	D483604XX-LT	D
SCALE: 1:10	FINISH: ALL	SHEET 1 OF 1

1

2

3

4

5