

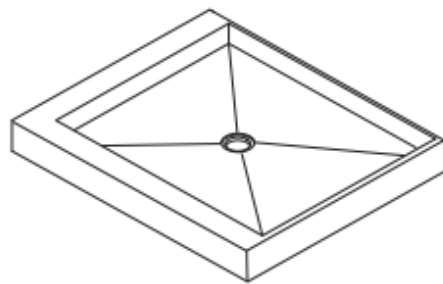
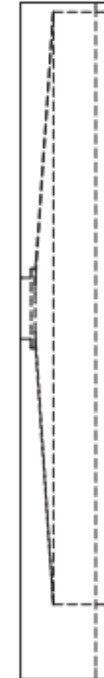
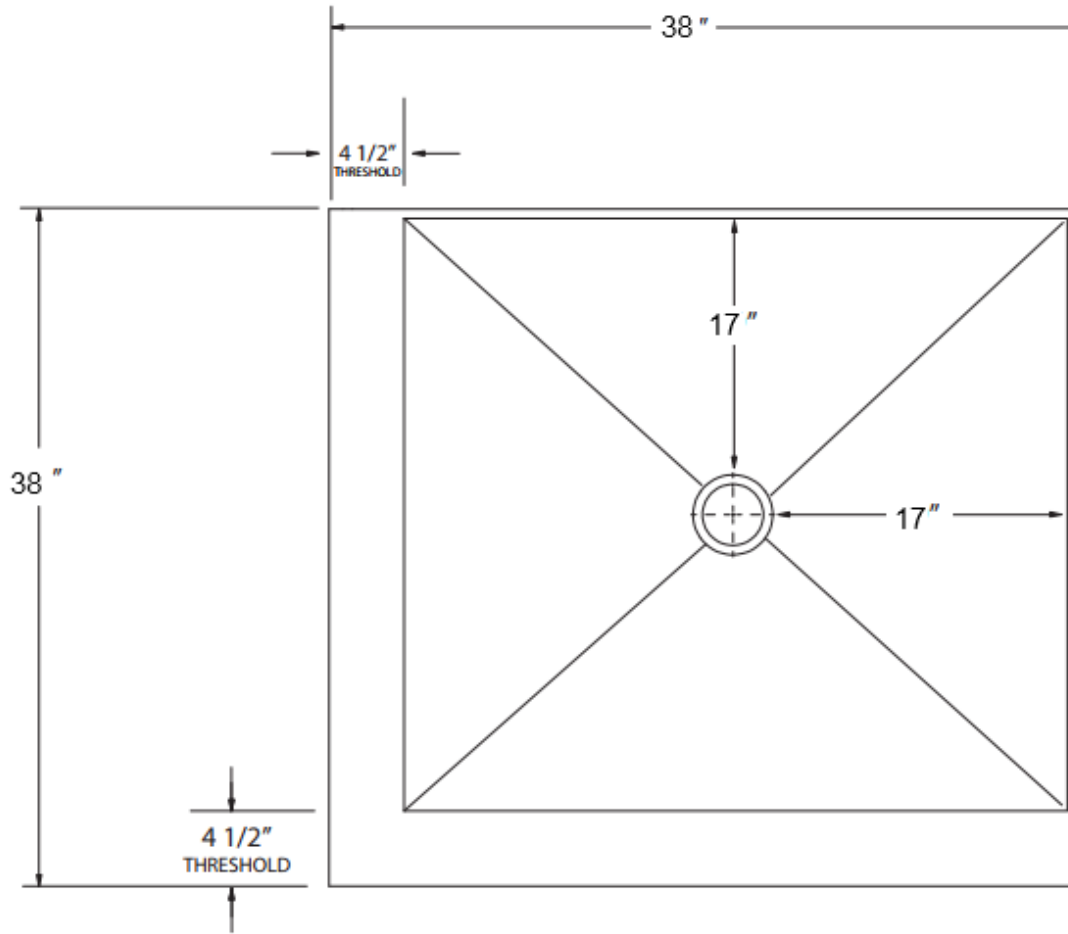
E

D

C

B


A



SCALE 1:25

NOTES:

DO NOT USE ANY PRODUCT SPECIFICATIONS TO BEGIN INSTALLATION BEFORE RECEIVING PRODUCT. THESE SPECIFICATION SHEETS ARE FOR REFERENCE ONLY. USE ACTUAL PRODUCT MEASUREMENTS ONLY. (OVERALL DIMENSION TOLERANCE IS +/- 1/4")

UNLESS OTHERWISE SPECIFIED DIMENSIONS ARE IN INCHES. TOLERANCES ARE X.X = ± 0.1 FRACTIONAL = ± 1/4" X.XX = ± 0.01 ANGULAR = ± 1/2" X.XXX = ± 0.005			 SHOWER PAN		
DRAWN	NAME	DATE	SIZE	PRT. NO.	REV
CHECKED		5/20/2014	A	D383804XX-LT	D
ENG. APPR.			SCALE: 1:10	FINISH: ALL	SHEET 1 OF 1

1

2

3

4

5