

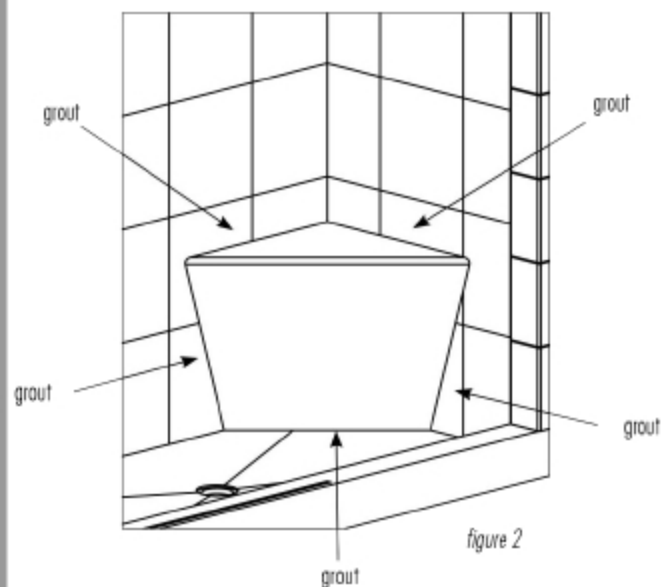
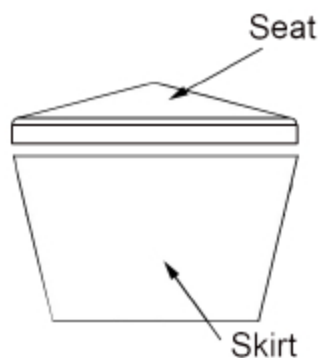
## SHOWER BENCH INSTALLATION



TIME REQUIRED

1 -2 HR.

***Congratulations on the purchase of your Shower Bench!  
These instructions will guide you through the installation.***



- 1) Selecting location for your bench. The bench is usually placed in the farthest corner away from shower head wall. This will give you maximum bathing space under the showerhead.
- 2) Your bench comes in two pieces: the top seat portion and decorative skirt, the skirt is only decorative and has no structural intent. You can install the seat without the skirt if you'd prefer the bench in a higher location.
- 3) Dry fit the bench into the desired corner. With two people, one holding the top seat portion of the bench and the second person holding the decorative skirt. Take the seat portion of the bench and push front edge with fingers to hold in measuring position on wall (Approximately 17 Inches from the floor to the bottom of front seat edge. You are going to adjust the seat portion of bench up and down the wall until the small tapered side of skirt rests on the floor and aligns to the walls and bottom edge of seat.
- 4) Once you have dry fitted the two pieces of bench to the wall and while holding in place; with tape or a pencil mark the now desired finished height of bench seat. (This mark will enable you to place the seat back in position without the bench skirt for drilling and attaching screws)
- 5) Now with only the bench seat in place, use the pencil to mark through the (6) holes on the inside lip of seat onto the walls. Remove the seat, you should see the (6) hole marks on the wall. Use a 1/8" drill bit to drill a pilot hole through the tile and into the Cement board. Push plastic screw grommets into holes, re-drilling by moving in larger circular motion to make hole larger is necessary. Plastic grommets need to be pushed all the way in.
- 6) Set Seat back into position, dry fit to check screw hole alignment. Once you verify hole placements are in the correct position, remove seat and place a generous bead of silicone on the back edges of the seat. Place seat back into position and tighten all (6) screws into plastic grommets.
- 7) Wipe away any excess silicone that may have squeezed onto the walls (toilet paper is recommended).
- 8) Now dry fit the skirt again checking alignment, then remove and place a silicone bead on all edges of the skirt. Push into final setting position. Again, wipe off any excess silicone that has squeezed onto the walls.
- 9) The silicone bead will insure water can not get behind the bench, as well finishing grout will help create a clean decorative detail to grout lines.
- 10) Let dry 24 hours. Or as per silicone instructions.