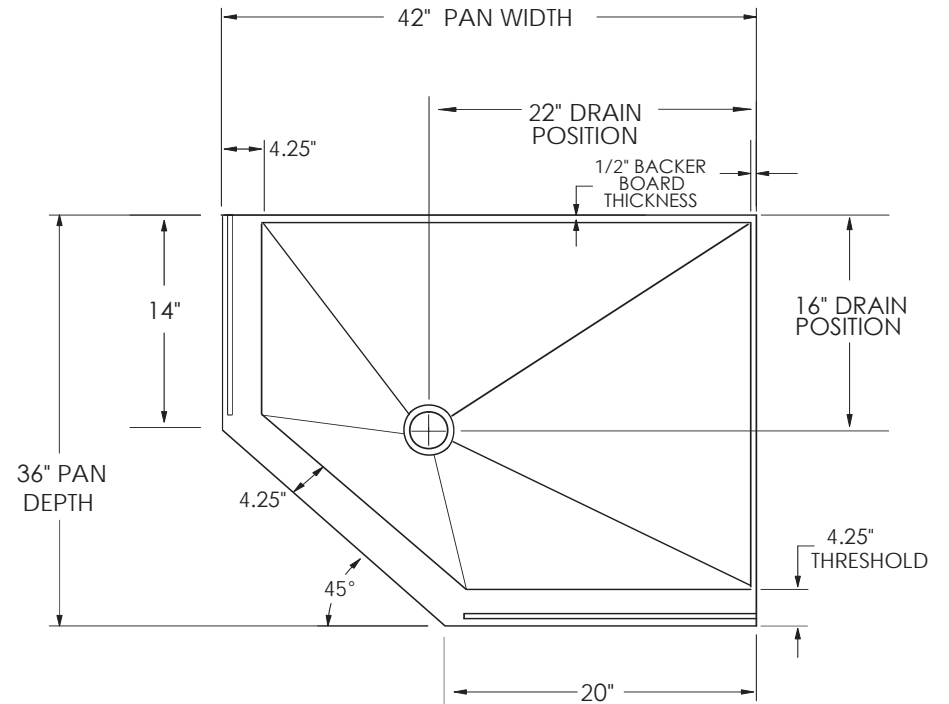
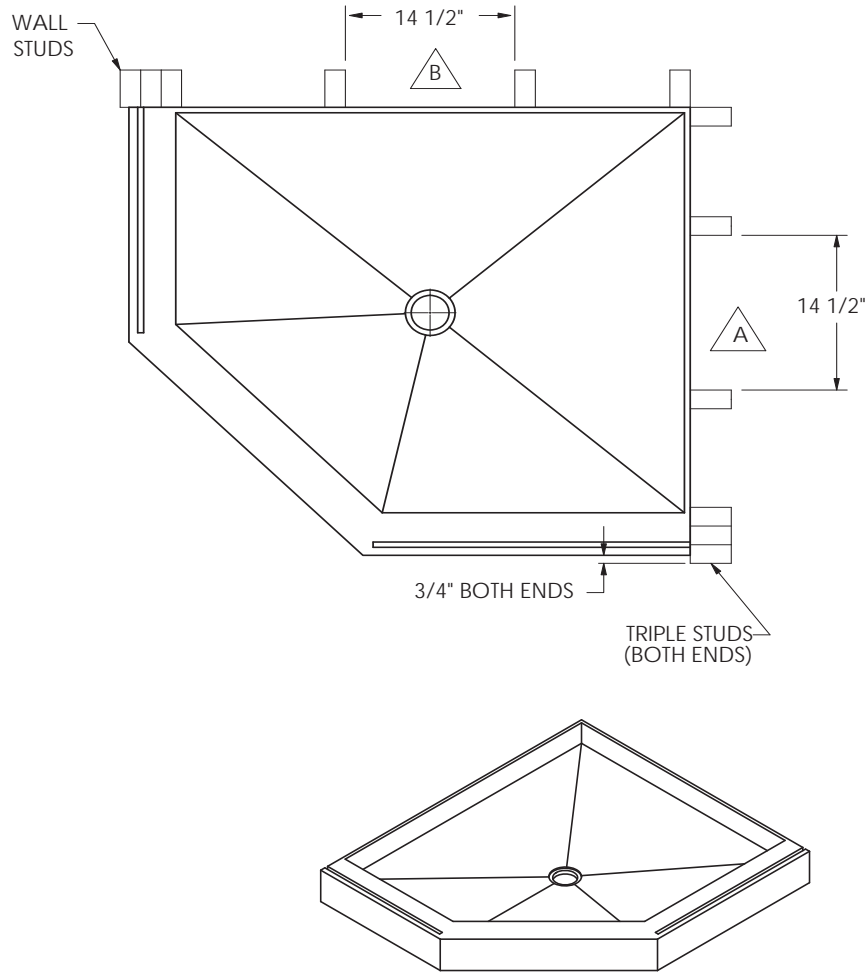


OVERALL & WALL STUD DIMENSIONS



SCALE 1:25

NOTES:

- A** MINIMUM GAP REQUIRED FOR SHAMPOO SHELF.
- B** MINIMUM GAP REQUIRED FOR SHAMPOO SHELF.
- C** DO NOT USE ANY PRODUCT SPECIFICATIONS TO BEGIN INSTALLATION BEFORE RECEIVING PRODUCT. THESE SPECIFICATION SHEETS ARE FOR REFERENCE ONLY. USE ACTUAL PRODUCT MEASUREMENTS ONLY. (OVERALL DIMENSION TOLERANCE IS +/- 1/4")

UNLESS OTHERWISE SPECIFIED, DIMENSIONS ARE IN INCHES TOLERANCES ARE:

X.X = ± 0.1 FRACTIONAL ± 1/16"
 X.XX = ± 0.05 ANGULAR: ± 1/2"
 X.XXX = ± 0.010



SHOWER PAN SPEC, NEO-ANGLE 42 X 36-LC

PROPRIETARY AND CONFIDENTIAL THE INFORMATION CONTAINED IN THIS DRAWING IS THE SOLE PROPERTY OF AMERICAN BATH FACTORY. ANY REPRODUCTION IN PART OR AS A WHOLE WITHOUT THE WRITTEN PERMISSION OF AMERICAN BATH FACTORY IS PROHIBITED.	ATTRIBUTES					
	SOURCE	MAKE	VOLUME	-	NAME	DATE
	COLOR	NATURAL	MASS	-	DRAWN	JA 4/10/2018
	MATERIAL	STONE			CHECKED	
	DO NOT SCALE DRAWING				ENG APPR.	

SIZE	PRT. NO.	REV
A	N423604-LC	F
SCALE: 1:18	FINISH: ALL	SHEET 1 OF 1