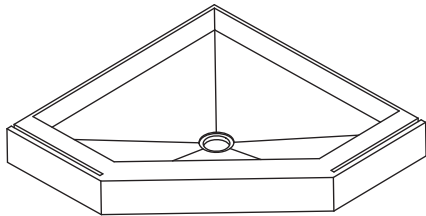
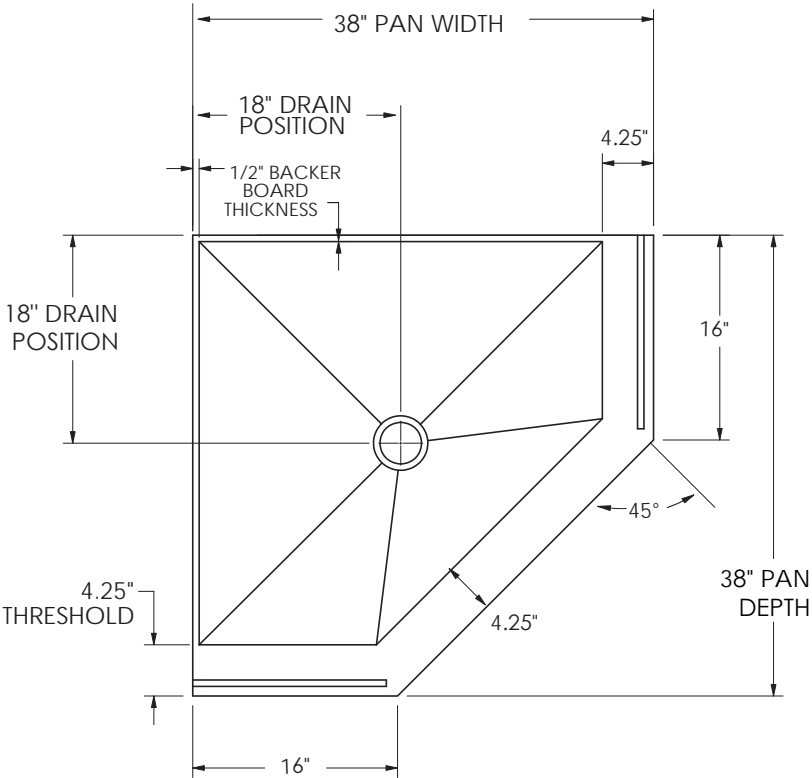
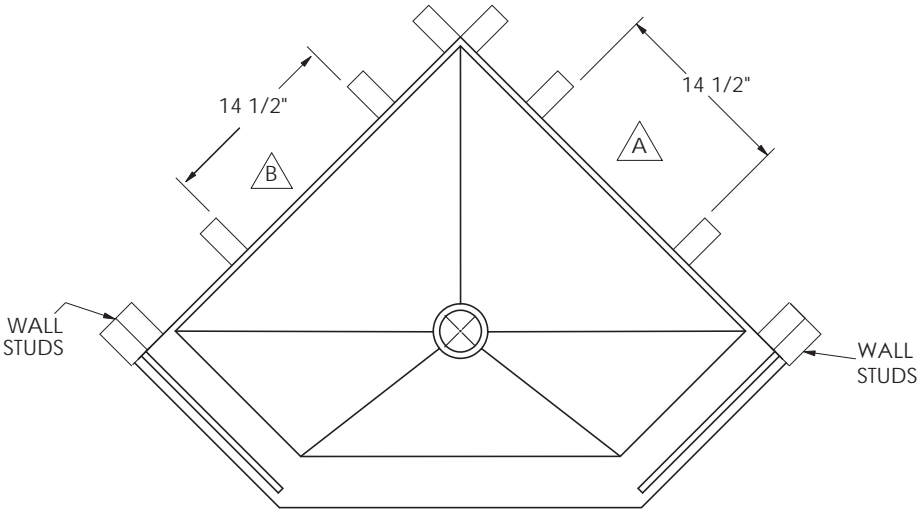


OVERALL & WALL STUD DIMENSIONS



SCALE 1:20

NOTES:

A MINIMUM GAP REQUIRED FOR SHAMPOO SHELF.

B MINIMUM GAP REQUIRED FOR SHAMPOO SHELF.

C DO NOT USE ANY PRODUCT SPECIFICATIONS TO BEGIN INSTALLATION BEFORE RECEIVING PRODUCT. THESE SPECIFICATION SHEETS ARE FOR REFERENCE ONLY. USE ACTUAL PRODUCT MEASUREMENTS ONLY. (OVERALL DIMENSION TOLERANCE IS +/- 1/4")

UNLESS OTHERWISE SPECIFIED, DIMENSIONS ARE IN INCHES TOLERANCES ARE:

X.X = ± 0.1
 X.XX = ± 0.05
 X.XXX = ± 0.010

FRACTIONAL ± 1/16"
 ANGULAR: ± 1/2°



SHOWER PAN SPECS, NEO-ANGLE 38 X 38-RC

PROPRIETARY AND CONFIDENTIAL		ATTRIBUTES				NAME	DATE
THE INFORMATION CONTAINED IN THIS DRAWING IS THE SOLE PROPERTY OF AMERICAN BATH FACTORY. ANY REPRODUCTION IN PART OR AS A WHOLE WITHOUT THE WRITTEN PERMISSION OF AMERICAN BATH FACTORY IS PROHIBITED.		SOURCE	MAKE	VOLUME	-	DRAWN	JA 4/9/2018
		COLOR	NATURAL	MASS	-	CHECKED	
		MATERIAL	STONE		DO NOT SCALE DRAWING		
				ENG APPR.			

SIZE	PRT. NO.	REV
A	N383804-RC	B
SCALE: 1:15	FINISH: ALL	SHEET 1 OF 1

1

2

3

4

5