

installation guide



Integrated Slipper Clawfoot

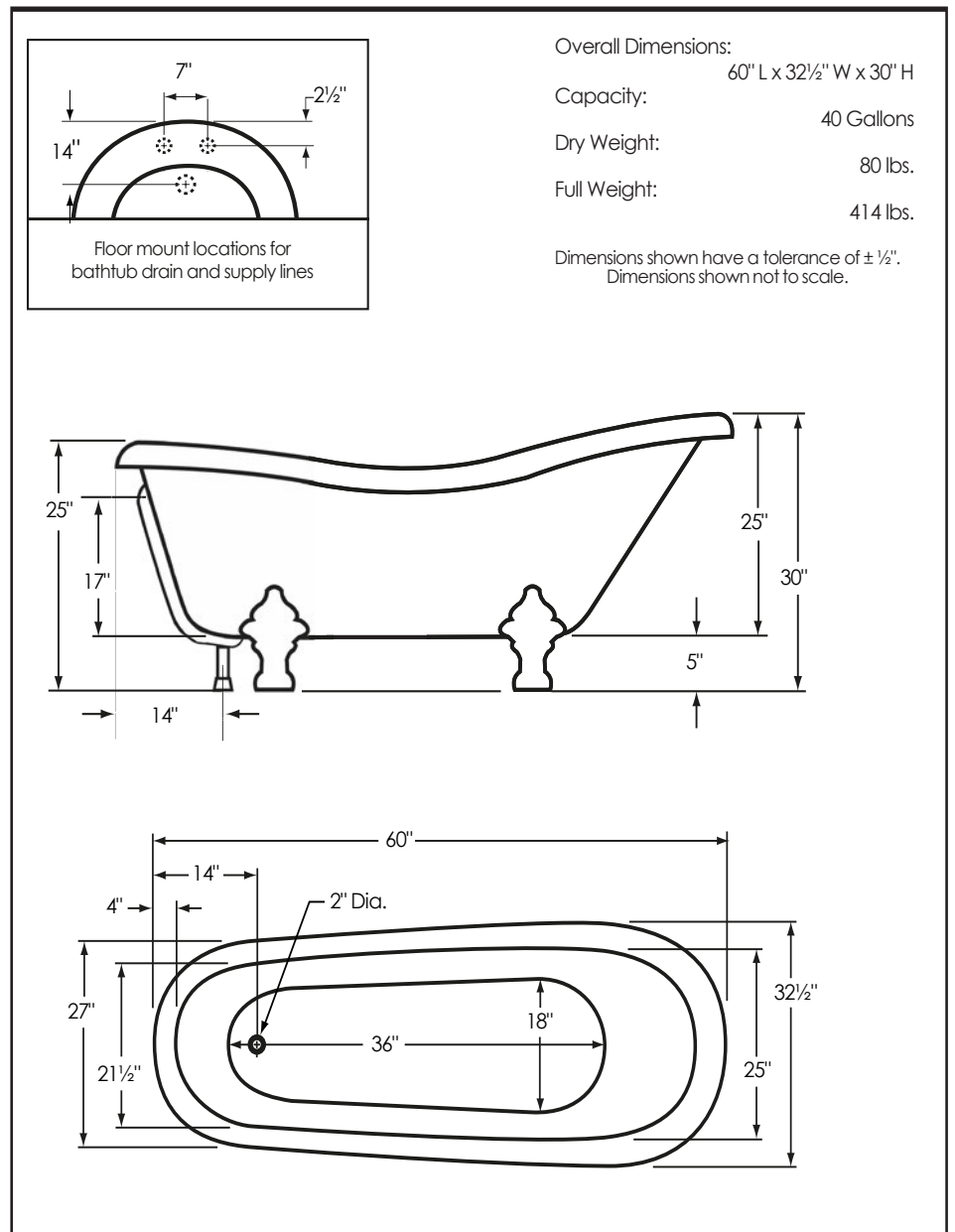
We would like to take this opportunity to thank you for your purchase of this American Bath Factory Bathtub.

Should you have any questions or feedback about your new tub, please call us toll-free at (800)454-BATH Mon-Fri 7:15 am - 4:00 pm PT or email us at info@americanbathfactory.com



ABF_Integrated Overflow Slipper Clawfoot Rev A

SPECIFICATIONS



1

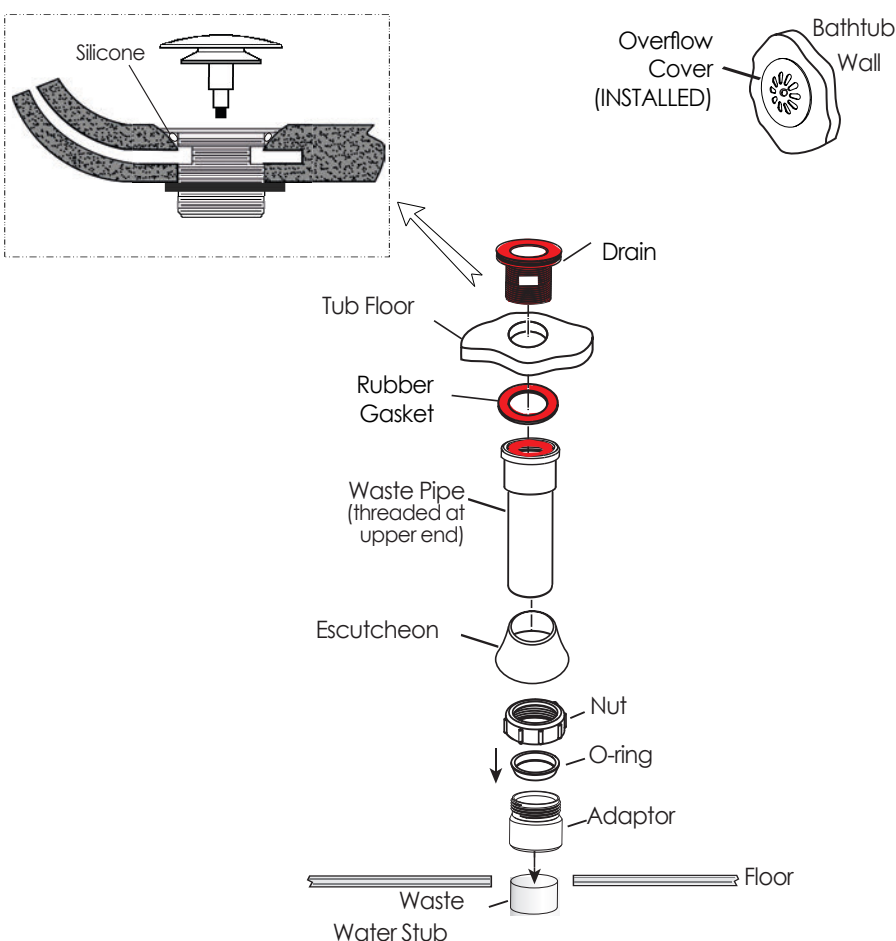
Before You Begin

To ensure that no damage has occurred to your bathtub during shipping, it is important to check your bathtub for damage prior to the installation in your home!

2

Drain

Move your new bathtub to a location that will not be damaged. We recommend that you install the drain onto the bathtub at this time.



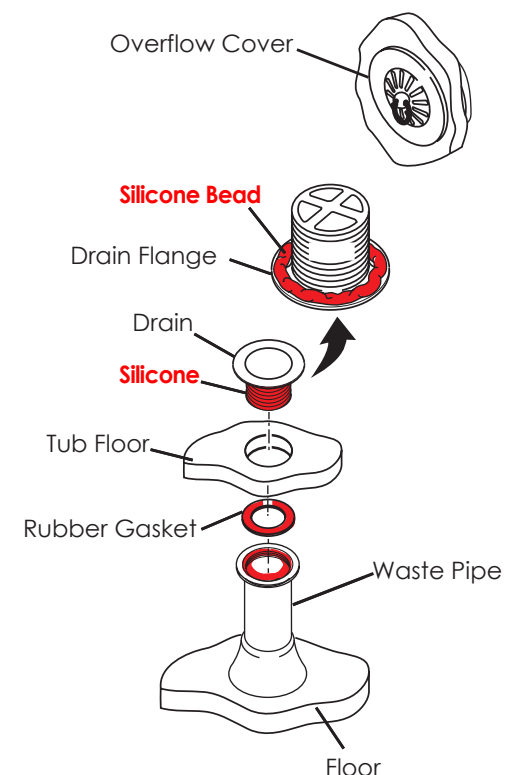
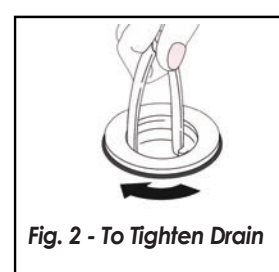
!! IMPORTANT !!

Your bathtub is a DOUBLE WALL construction. The drain needs to be installed with SILICONE, not Plumber's Putty!

Apply a liberal amount of "kitchen and bath" type silicone (available in most Home Improvement or hardware stores) to the drain threads and a bead on the underside of the Drain Flange (See Fig. 1). Insert the Drain through the drain hole, screw into the Waste Pipe and verify that the rubber gasket is seated properly between the bottom of the tub and the Waste Pipe. The handles of a pair of pliers can help you screw the Drain securely into the Waste Pipe (See Fig. 2). Wipe off any excess silicone around the drain with a clean, dry cloth.

Allow 24 hours for the Silicone to cure completely before adding water to the bathtub.

If everything is sealed and dry, fill your bathtub and check for leaks. After the water test is complete and there are no leaks, proceed with installing your bathtub.

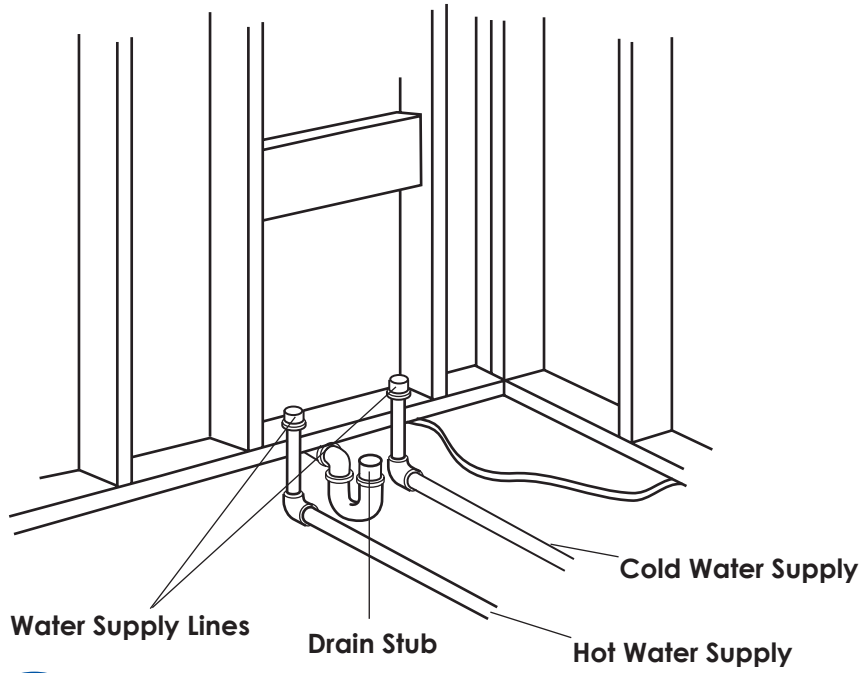


3

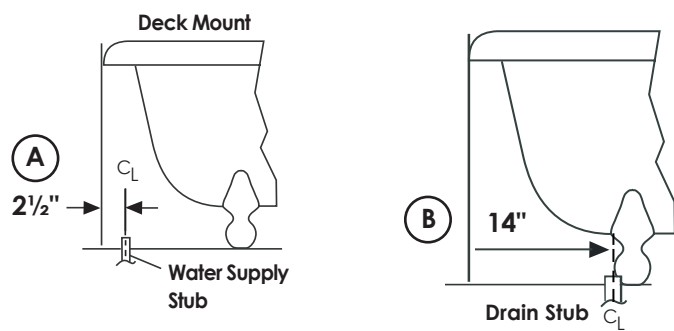
Fig. 1 - Securing Your Drain

INSTALLATION SPECIFICATIONS

5



4



(A) The faucet holes (where the supply lines are placed) are located 2½" in from the edge.

(B) The drain is located 14" inches in from the edge of the bathtub.

Note: Do not use the measurements for the Deck Mount listed above if you purchased a Wall Mount or Floor Mount.

ALIGN & SECURE YOUR BATHTUB

Now that the water test is complete, pay careful attention when transporting your clawfoot bathtub through a narrow doorway. Tilt your bathtub on its nose, on to a soft surface (folded towel, sheet, etc.), and spin it through the doorway. We recommend doing this instead of disassembling the feet.

Carefully align your bathtub over the water supply stubs and drain. For deck mount faucets, it may be helpful to temporarily attach your faucet and water supply lines to the bathtub, to aid in aligning the bathtub directly over the water supply stubs.

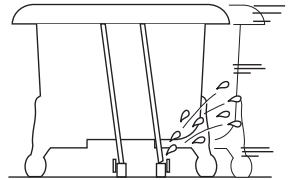


Aligning your Bathtub

SECURING YOUR BATHTUB

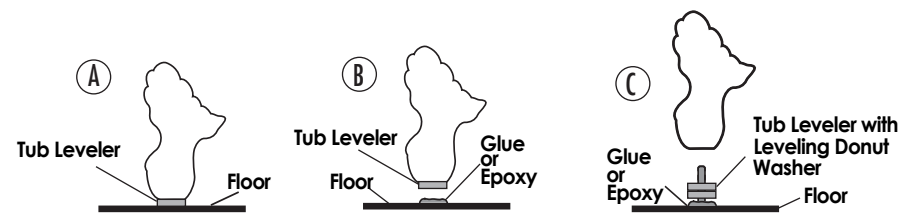
Failure to secure your bathtub will void your warranty!

It is very important to secure your bathtub to the floor. This avoids bending or straining the water supply connections and drain, if the bathtub is bumped or moved, possibly causing leaks.



WARNING - Failure to secure your bathtub may cause leaks if the bathtub is moved.

The easiest way to secure your tub is to use a small amount of glue or epoxy directly on the floor under each foot. You may do this with the leveling adjuster attached or without. Please see drawings below.



CLEANING & MAINTAINING YOUR BATHTUB

Your bathtub's surface is very easy to clean. There are no pores for dirt to penetrate, so dirt will just rinse off with water. For sanitary purposes, you should occasionally clean your bathtub with non-abrasive soap and water when possible. Avoid harsh chemicals. Plain dish-washing detergent such as JOY®, PALMOLIVE®, IVORY®, etc., is all that is required. If you spill something on the bathtub and need a stronger cleaner, the following are SAFE to use: GEL GLOSS®, TACKLE®, TOP JOB®, FORMULA 409®, WINDEX®, CLOROX BLEACH®, GLASS PLUS®, LIQUID COMET®, SOFT SCRUB®, and SPIC & SPAN POWDER®.

IMPORTANT

DO NOT CLEAN YOUR BATHTUB WITH GOOF OFF®, SCRUBBING BUBBLES®, LYSOL DISINFECTANT SPRAY®, DOW DISINFECTANT BATHROOM CLEANER®, PINE-SOL®, WHITE-CAP®, LESTOIL®, PAINT THINNER, ACETONE, LACQUER THINNER, M.E.K. or other chemicals that attack the structural integrity of plastic (including, but not limited to acetones).

Use of these chemicals will destroy the acrylic surface of your tub.

USE OF THESE CHEMICALS WILL VOID YOUR WARRANTY

If you should dull, scratch, or chip your bathtub, the appearance can be restored to its original look. Scratches and dulling can be removed with a liquid polish such as Gel-Gloss®. Deep scratches or burns can be removed by using very fine wet sandpaper (600 grit or higher) and finished with a liquid polish.

Safety Instructions

- **DANGER!** To reduce the risk of injury, do not permit children to use bathtub, unless they are closely supervised by an adult at all times.
- Use this bathtub only for its intended use as described in this guide. Do not use attachments not recommended by the manufacturer.
- Do not attempt to plug in or unplug electrical devices while in or near a filled bathtub. Never use or handle electrical devices while in or near a filled tub.
- Never drop or insert any objects into any openings.
- Only healthy adults should use the bathtub when the water temperature is between 100° and 104°F (38° - 40°C). Any temperature below 100°F is considered safe for longer durations (exceeding 10 - 15 minutes) or for young children. The water temperature in a bathtub should never exceed 104°F (40°C).
- Excessive water temperatures have a high potential for causing fetal damage during the early months of pregnancy. Pregnant or possibly pregnant women should limit bathtub temperatures to 38°C (100°F).
- The use of alcohol, drugs, or medications before or during bathing may lead to unconsciousness and the possibility of drowning.
- Use of this bathtub may cause drowsiness and changes in heart rate and/or blood pressure. Persons suffering from obesity, who have a medical history of heart disease, low or high blood pressure, circulatory problems, or diabetes should consult a physician before using. Persons using medications should consult a physician before using this bathtub.

Information in this document is subject to change without notice. Copyright 2020, American Bath Factory. All rights reserved. Reproduction in any manner whatsoever without the written permission of American Bath Factory is strictly forbidden. Trademarks and trade names used in this document refer to either the entities claiming the marks and names or their products. American Bath Factory disclaims any proprietary interest in trademarks and trade names other than its own.

13405 Estelle St, Corona, CA 92879
(800) 454-BATH Fax (951) 734-1480

email: info@americanbathfactory.com
www.americanbathfactory.com