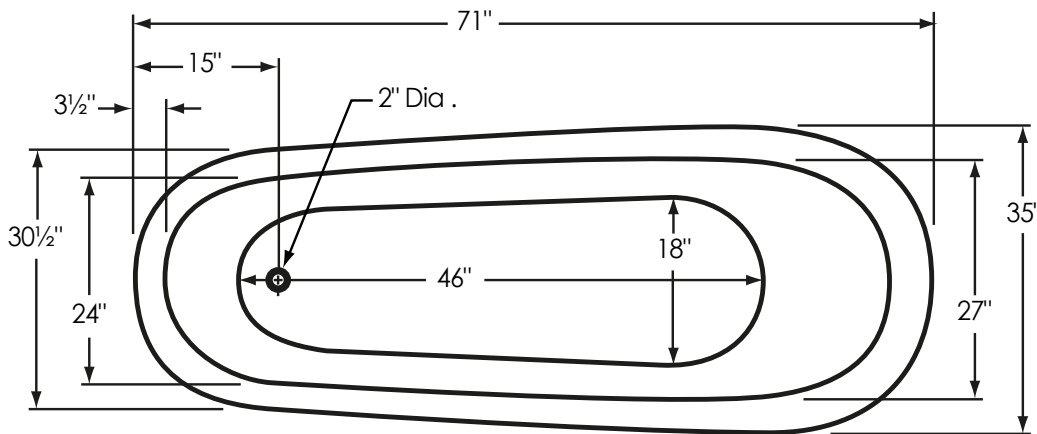
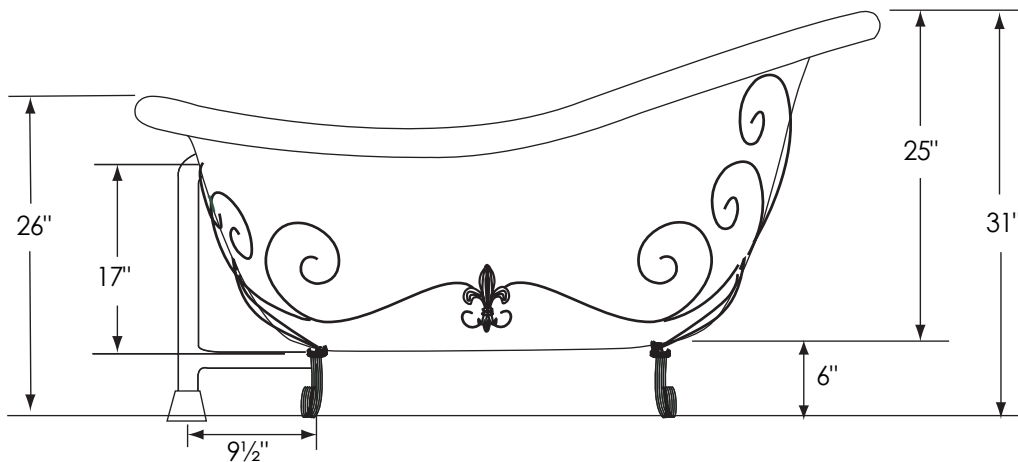
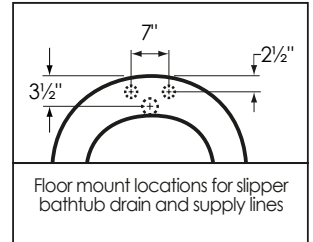


# 71" Slipper Nuevo



<b>Overall Dimensions:</b>	71" L x 35" W x 31" H
<b>Capacity:</b>	58 Gallons
<b>Dry Weight:</b>	120 lbs.
<b>Full Weight:</b>	604 lbs.

All measurements are approximate. Dimensions shown have a tolerance of  $\pm 1/2"$ . Dimensions shown not to scale.



**Notes:** Please measure your actual product for rough-in details. All product dimensions have a tolerance of  $\pm 1/2"$ . Install this product according to the installation instructions.

American Bath Factory reserves the right to make revisions without notice to product specifications. For most current specs, visit our site: [americanbathfactory.com](http://americanbathfactory.com)