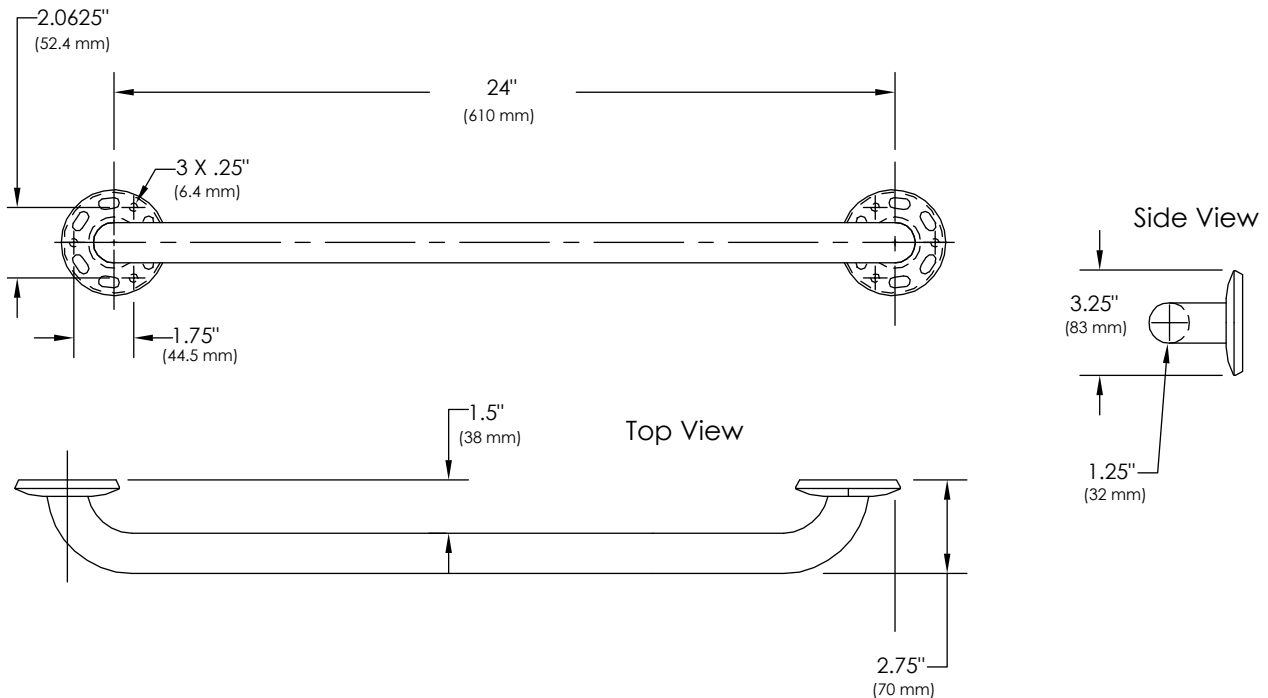


24" Metal Grab Bar Installation Guide

Our Metal grab rails are designed to give you added security with an elegant appearance. Follow the instructions below to properly install your grab rail.



- Overall Dimensions: 27.25" x 3.25" x 2.75" D
- Mounting Hardware Included
- Plated to match your hardware
- 18-gauge 304 grade stainless steel construction
- ADA compliant when properly mounted into a structural support
- Can support in excess of 250 lbs when properly mounted
- Before installing your shower walls, install bracing between the wall studs where the wall plates will be mounted.

Supplies Needed:

- Pencil
- Level
- Drill and 1/8" Drill Bit
- 100% Silicone & Caulk Gun
- Phillips Screw Driver
- Clean Cloth

1. Decide where you want to place the grab bar(s). The Grab Bars can be placed in any position horizontal, vertical, or angled as long as the screws in the mounting bases are attached to the studs in the wall. All of the screws from each mounting base **must** screw into a stud for full support and be ADA compliant.
2. Place the grab bar in desired position. You may want to level if desired. Move the escutcheon covers to reveal the wall plate and mark the wall for 3 holes on each wall plate.
3. Drill the holes you just marked using a 1/8" drill bit. Apply silicone into each of the holes
4. Then secure each wall plate with the screws provided and then slide the escutcheons over the wall plates. It is not necessary, but you can silicone around the escutcheons. Wipe any excess silicone. Repeat for each grab bar. Allow 24 hrs for silicone to fully dry before using.