

Sistine Stone™

ALCOVE

Alcove Shower System Installation Guide

Congratulations on the purchase of your new shower package. This guide will give you the instructions on the installation of your new shower.

Sistine Stone™ showers are ideal for an experienced "DIYer". Please read through this entire installation guide before beginning your installation. If you feel you can not confidently install this shower by yourself hire a licensed contractor, handyman, or professional installer that can do it for you. Installation time may vary depending on your experience, complexity of shower, and "Pre-Install Prep Work" which may include: plumbing and/or drain relocation, bathroom demolition, and squaring up studs and floor.

Watch our Installation and Product Videos on americanbathfactory.com/pages/videos

Prior to demolition, scheduling your installer, or building your shower, double check that you have all the parts from the factory. Some applications may require a licensed plumber or contractor. Do not use any product spec sheets to begin installation before receiving product. These spec sheets are for reference only. Use actual product measurements only. The diagrams throughout this guide illustrate a 60" x 30" shower. Depending on the size of the shower purchased, actual parts may vary in size from the diagrams shown.

Our goal is to help you achieve a quick and successful shower installation.



See the clock in each section for estimated installation time.

Check Your Order Before Installation

Please inspect shipment thoroughly upon receipt and before starting the installation. Missing or damaged stone and hardware should be reported within 24 hours of receiving this shipment. For assistance, call us at 1-800-454-2284 at Ext 22 Monday through Friday from 7:15 am - 4 pm (Pacific) or email us at customerservice@americanbathfactory.com.

Go step-by-step through the guide verifying you have all the parts for each step depending on your model description in each section.



Universal Alcove Install Guide Rev A

1

PRE-INSTALLATION TEAR DOWN



TIME
8-16 HRS

This shower system is designed to be installed on a level, bare floor. It is necessary for any existing shower to be completely removed. Tear out and remove all old material to expose the 2 x 4 wall studs. Clean up the shower area, removing all dust and old material from the area.

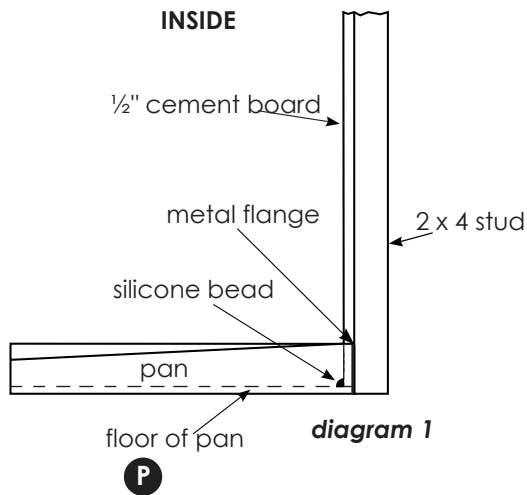
Cold Weather Warning: We recommend not installing your shower below the temperature of 70°F. The shower will be fine in cold weather after installation, but during installation bending and handling shower components in cold weather can cause breakage. Frigid conditions can make some shower components brittle and susceptible to cracking during rough installation handling.

2

DRY-FITTING THE PAN



TIME
1/2 to 1 HR



It is easier to check alignment of studs and pan without the drain installed into the pan.

Place the pan in the planned position. Check to see that the spacing between the metal pan flange and 2 x 4 studs are flush. Some shimming or sanding of the 2 x 4 studs may be required to flush the studs with the metal pan flange. When screwing in the 1/2" cement board the metal flange will pull fast to the studs, and will secure the metal pan in place. (dia. 1)

✓ **NOTE:** Due to some rough handling during shipping, you can water test pan before installation to check for any issues.

IMPORTANT: DO NOT USE SHIMS UNDER THE SHOWER PAN. SHOWER PAN MUST SIT ON A FLAT LEVEL FLOOR.

OPTIONAL SHAMPOO SHELF INSTALLATION



TIME REQUIRED
1/2 - 1 HR

1. The Shampoo Shelf was designed to match your tile size. 12" x 24" tiles, the cut-out hole size is 10 x 22".
2. There is a 1" lip or frame around the Shampoo Shelf, this will be the water sealed area for the Shampoo Shelf.
3. The best way to cut the hole is with a small 5" round diamond blade.
See detailed instructions enclosed with Shampoo Shelf
4. On the 2 tiles the Shampoo Shelf will be replacing, mark 1" from the outside of the grout line, the cut-out area will be 10" x 22". Cut out the hole for the Shelf. The smaller the hole the better.
5. Dry-fit the Shampoo Shelf for alignment of grout lines.
6. Using 100% Silicone in-place with a generous bead around the back of the lip, wipe off excess silicone with tissue.

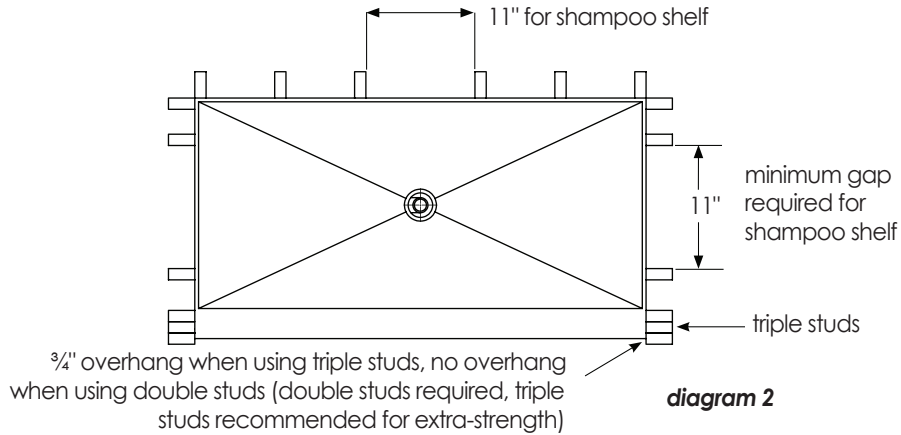
3

2 x 4 STUDS ALIGNMENT & POSITIONING



TIME REQUIRED
1/2 to 1 HR

Using the pan and wall panels, you will be able to check to make sure your 2 x 4 studs are in the needed position and supported adequately. You will see in (dia. 2) extra 2 x 4 studs are added to the door and glass side thresholds for extra strength. You may need to make adjustments for your a shampoo shelf. When you place the bottom sections of the wall into the shower pan, you can also calculate the needed width and height of areas to keep free of 2 x 4 studs. (See **installation instructions for shampoo shelf**) This is also when you should add your extra support bracing for those who need them for your other accessories such as the shower valve, grab bars, benches or shelves.

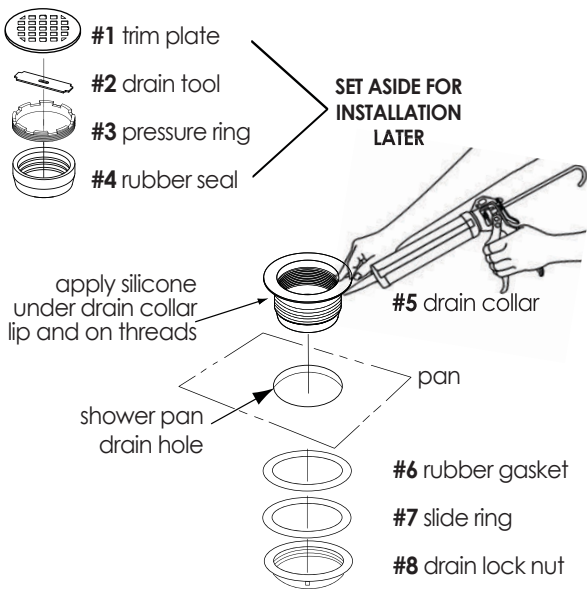


4

INSTALLING DRAIN (may be sold separately)



TIME REQUIRED
1/2 to 1 HR



1. Locate the drain assembly to install into pan.
2. Take drain assembly apart and set parts #1-4 in a safe place for installation later.
3. Apply a generous bead of 100% silicone around the shower pan drain hole and around the outside of the drain collar #5, insert the drain collar #5 into the drain hole.
4. Apply a generous bead of 100% silicone around the drain collar #5 from the underside of the pan.
5. Install the rubber gasket #6 over the drain collar #5, to the underside of the pan, next install the slide ring #7.
6. Screw on the drain lock nut #8 and hand tighten. Turn drain lock nut #8 approximately 1/4 turn with the wrench to ensure a water-tight fit. Check for a good seal. **DO NOT OVERTIGHTEN.**
7. Wipe off excess 100% silicone and allow to dry. Follow the manufacturer's directions for application and drying time.

diagram 3



5

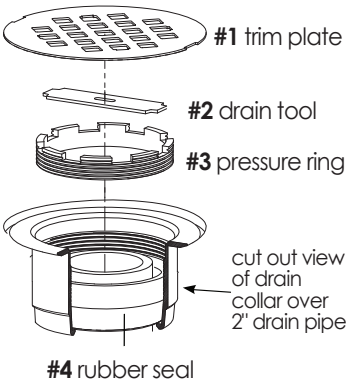
SETTING PAN



TIME REQUIRED
1/2 HR



apply silicone **diagram 4**



1. Now that the drain is installed onto the pan and has dried, dry fit the pan and your drain for alignment. Check to make sure the 2" drain pipe is in the center of the pan drain hole and that the 2" drain pipe does not extend past the inside threads of the drain collar.
2. Make sure the pan and drain fit level to the floor.
3. Remove pan and apply 100% Silicone to floor. (dia. 4)
4. Carefully lift the shower pan and set into place. Make sure the ABS pipe is still centered.
5. Finish installing the drain assembly. Find the rubber seal #4 and slide onto the 2" ABS pipe. (You can use soapy water to help it slide down the pipe) It should seat against the bottom of the drain collar.
6. Next drop the pressure ring #3 into the drain collar and use the drain tool #2 and a flat head screwdriver to screw it until it touches the rubber seal. Remove the drain tool after the pressure ring is installed.
7. Test and snap that the decorative trim plate #1 sits into position. You may need to adjust the tabs for a good fit. (Remove the decorative trim plate and store in secure area until installation is complete, drain will be grouted when shower is grouted)
8. After installing pan, cover with cardboard or drop cloth to protect pan from scuffs.

6

CEMENT BOARD INSTALLATION



TIME REQUIRED
1-3 HRS

We recommend the use of 1/2" thick cement board as your shower backer. This is a common backer for stone and tile. Using this backer will help comply with almost all city codes. A product like WonderBoard® or HardieBacker® may be used if it meets your local codes. Some codes may also require a vapor barrier to be installed. We recommend using a 6 mil. plastic water/vapor barrier and should be installed prior to the cement board. To do this, staple plastic so that it hangs 1" above the floor. **DO NOT USE AN ELASTOMERIC WATERPROOFING MEMBRANE ON YOUR CEMENT BOARD (such as RedGard)**. Roofing nails may be used to attach the cement board instead of screws, to prevent the plastic from wrapping around the screws.

IMPORTANT: Walls must be solid, plumb, and square within 1/8" of true. Use your cement board as an indicator of squareness. If you see gaps or areas where the cement board is not fitting flush, fix the problem by removing the cement board and shimming the boards until it's square and flush. This kit is designed with some allowances for minor alignment issues.

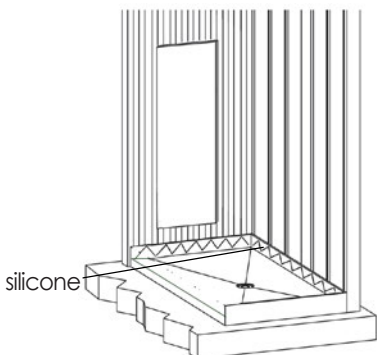


diagram 5

1. Cut cement board to fit "**inside**" the metal flange. Sanding or shimming out the 2 x 4's may be required to flush, level and square the cement board. (dia. 5)
2. Place a bead of 100% silicone on the front **INSIDE** face of the shower pan flange. The bead should be in a zig-zag pattern. (dia. 5)
3. Install the cement board against the studs and rest it inside the shower pan against the metal flange. Attach the cement board to the studs with screws or nails. **DO NOT** screw or nail into the metal shower pan flange.
4. Continue installing the remaining cement board. It is best to seal all joints at the same time you silicone the wall panels in to place.
5. Clean the wall surface with a damp cloth to remove any dust, dirt, or any other contaminants.

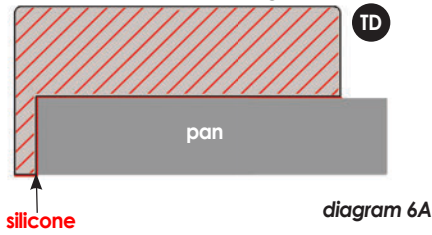
7

PAN THRESHOLDS & SIDE CASINGS

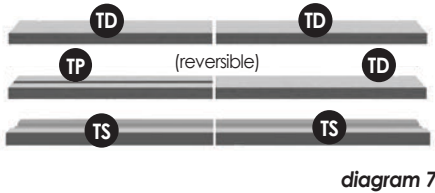
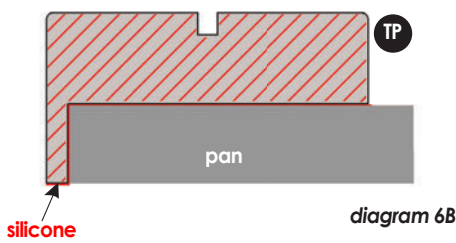


TIME REQUIRED
1/2 - 1 HR

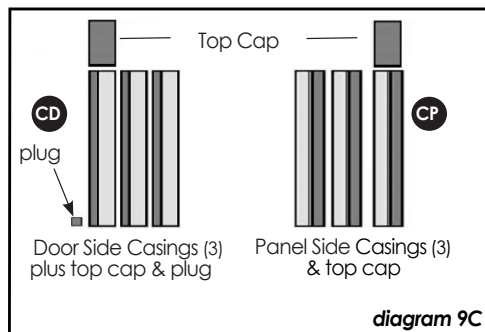
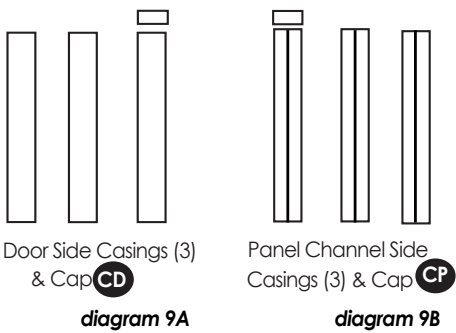
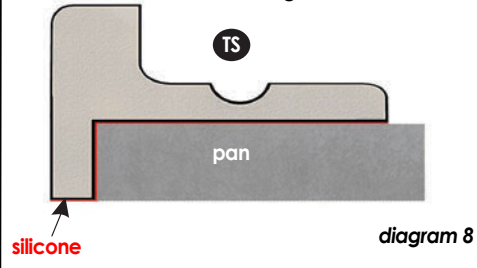
Threshold for No Glass or Hinged Door



Threshold for Hinged Glass Panel



Threshold for Sliding Door

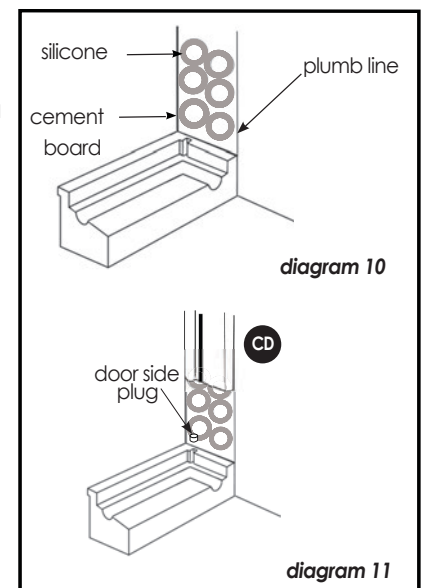
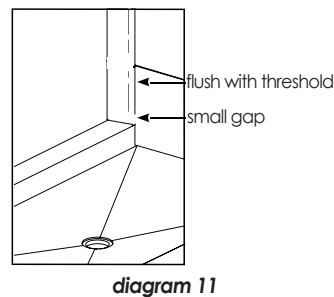
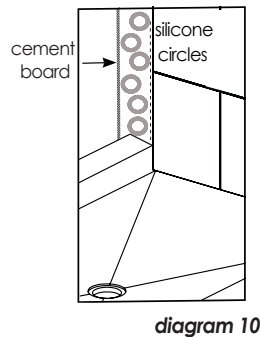


A - Pan Thresholds

- No glass showers have 2 threshold pieces **TD** (dig. 6A & 7 top)
Hinged glass showers have 1 door threshold piece **TD** and one glass channel threshold **TP** (dia. 6A & 6B & 7 middle)
Sliding glass showers have left and right **TS** style thresholds (dig. 7 bottom)
- Dry fit thresholds onto the front of the pan. The door threshold does not have a channel in it. The door rail is reversible and can be placed on the left or right. (dia. 6A & 6B)
- Remove and apply 100% silicone in the pan where the thresholds sits, in between each side, under and in front of the thresholds themselves. (This is your water seal, use a continuous bead and apply silicone generously.) Then re-install thresholds onto pan and press firmly in place. There may be a small gap between the bottom of thresholds and the floor, this can be grouted later if it is still exposed after installing bathroom floor.

B - Side Casings

- No glass showers and the hinged door side showers use the same side casings & cap. (dia. 9A) **CD**
The panel side of hinged door showers use **CP** side casings & cap. (dia. 9B) 9B)
Sliding door showers use **CD** & **CP** as shown in diagram 9c.
- To help with the side casing installation, use a level and draw a plumb line from the inside of the pan threshold up to the top of the shower. Do this on both sides. This will be where the side casings and the wall panels meet and will give you a visual reference point when dry-fitting your wall panels.
- Apply 100% silicone, using a circular pattern, to the cement board along the plumb line, approximately 4" wide to the edge of the shower pan. (dia. 10)
- Place the first side casing into position making sure to align the side casing with the vertical plumb line previously drawn on the cement board. Apply pressure to the side casing to bond it to the cement board. The side casing will be flush with the inside of the shower pan threshold and have a small gap where the pan threshold slopes. (dia. 11) You can shim the gap if needed. Make sure to align any channels. For sliding door insert plug. (dia. 11)
- Place the remaining side casings into position, 3 per side and cap. Use a level and the plumb line previously drawn on the cement board to align the side casings vertically.



8

WALL PANEL/LINER INSTALLATION



TIME REQUIRED
3-4 HR

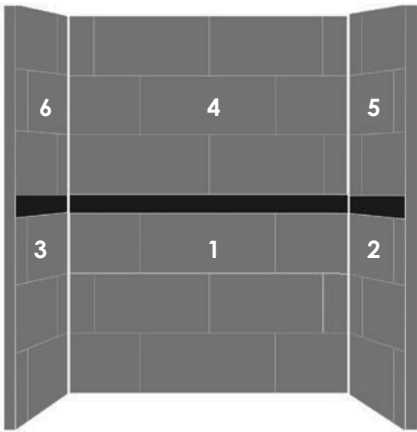
A - Inspecting Wall Panels/Liners

Inspecting panels at this point to make sure wall panels shipped OK from the factory. When installing wall panels, you may need to make adjustments to the panels to accommodate for unevenness of your existing walls or panels. Sistine Stone wall panels are made to be flexible and may have a slight bow. This condition is normal and wall panels will flatten out when properly installed. If wall panels have been stored improperly or have become excessively bowed, they can be corrected before installation. (See troubleshooting section on last page for details)

B - 3 Different Wall Configurations

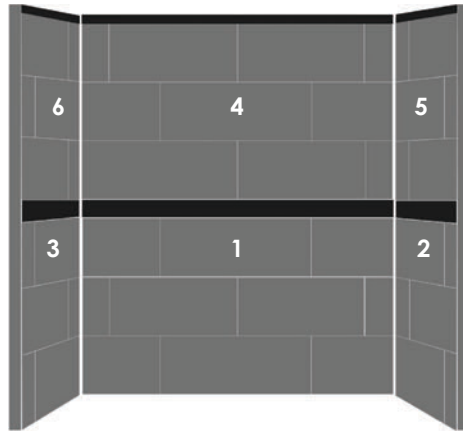
Horizontal Single Liner Model

6" Liner



Horizontal Double Liner Model

4" Middle Liner & 2" Top Liner



Vertical Liner Model

6" Vertical Liner

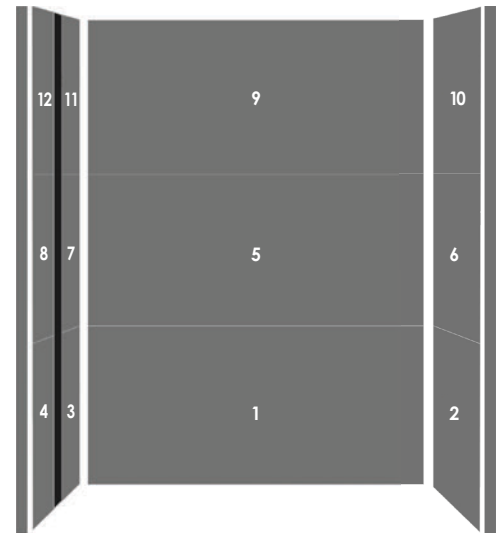
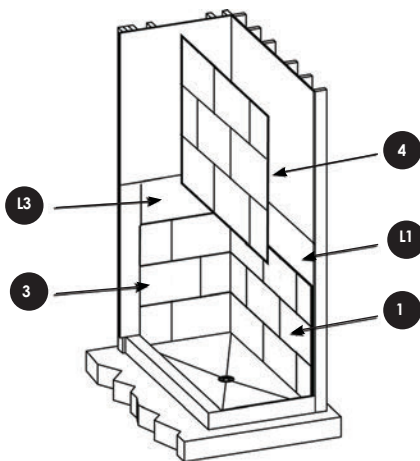


diagram 12

Example:



C - Installing Panels

After determining the Wall Model type you have, you will start installing panels in sequential order. Follow the order in the image above of your Wall Model type.

1. The panels are numbered on the back start with the #1 back panel. Next # 2 right side panel and then the #3 panel.

Each panel will have 100% Silicone (recommended) applied on the back of each panel, it is best to make small 3" circles; this creates little suction cups that hold the panels in place until silicone is dry. Use a rag to firmly push panels onto the wall board.

2. After panel #3 is installed, the accent liners will be installed. Start with L1 liner from left to right on horizontal models or on vertical liners start from the bottom to the top.
3. After the liners are installed, continue in order installing #4 panel then the rest of panels.
4. If have a Horizontal double liner model, you will install the cap liners in order to finish.



A - Handle Installation

1. Set the glass door in a position to enable the assembly of the handle.

✓ **Be careful not to rest the edges of the door on hard surfaces. Tempered glass is very strong and impact resistant but its weakest point is impact on the edges.**

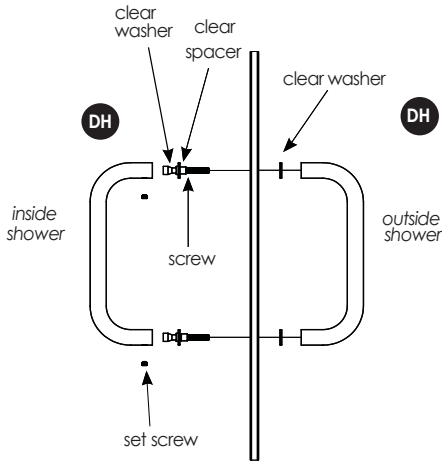


diagram 18

2. Loosen the set screws so you can separate the handles.
3. Unscrew the long bolt from the handle. Keep all rubber pieces attached to the screw.
4. Remove the first set of flat, clear washers from the bolt.
5. Start with the top hole on the glass door. Place the long bolt through the hole in the door (keeping the remaining rubber pieces on the bolt). On the other side of the glass place the flat washers onto the threaded portion of the bolt. (dia. 18)
6. Take one side of the handle and screw the long bolt into the end. Just start the bolt until a few threads catch. Keep loose. (dia. 18)
7. Put the second bolt through the lower hole. Place the flat washer onto the bolt. Screw the bolt into the bottom handle. (dia. 18)
8. Align the handle on the door and carefully tighten the long bolts. Do not over tighten.
9. Place the opposite handle over the long bolts and tighten the set screws to secure the handle.

B - Hinge Installation

1. Locate the top hinge **GH** and remove the side plate by loosening the two screws. (dia. 19)
2. Apply a generous amount of silicone onto the hinge and side plate.
3. Position the hinge onto the glass door lining up the holes so that the screws are on the inside of the shower door.
4. Attach the side plate with silicone applied to the glass and tighten the screws until the hinge is secure. Wipe off the excess and allow to dry.
5. Repeat these steps for the bottom hinge.
6. You will also find a Vinyl Water Shield for the bottom hinge. This can be added in between the glass door and the side plate to help keep water in the shower should you have a smaller shower or a shower-head pointed towards the door. (dia. 19a) See Images below for illustrated installation examples. You may trim the Water Shield as needed.

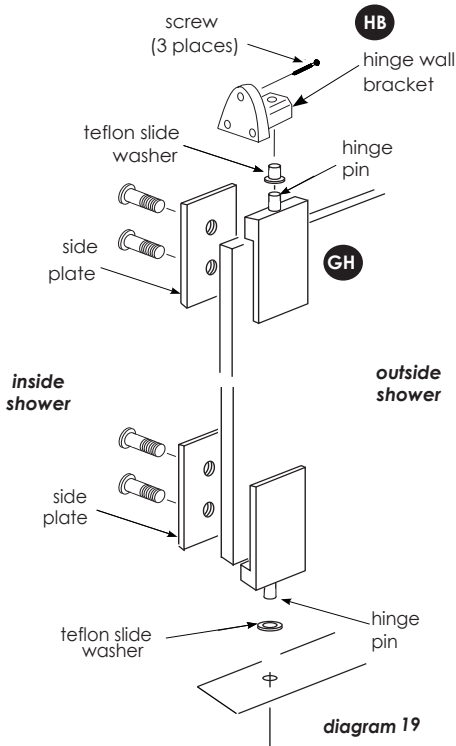


diagram 19

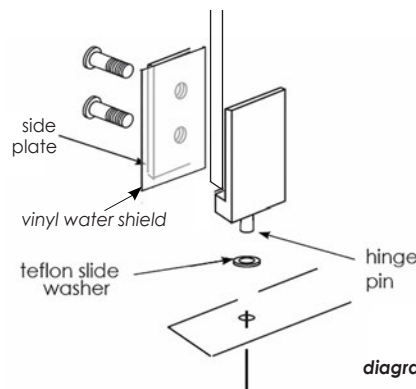


diagram 19a



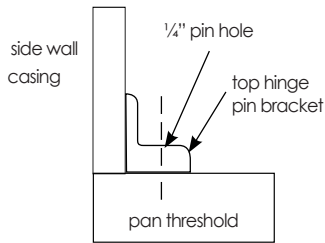


diagram 20

C - Dry-fit Fixed Glass Panel & Glass Door

1. Gently insert the side glass panel into the channels. You will be adjusting the fixed glass panel so it's level with the door and has an even $\frac{1}{4}$ " gap between the door and the glass panel. Use rubber setting block to adjust height and level if necessary.
2. Next, to determine the position of the bottom hinge pin hole, place the top hinge pin bracket upside down on bottom pan threshold as a template. (dia. 20) Align bracket hole to center of side glass panel. Mark the hole and remove the bracket. Carefully drill $\frac{1}{4}$ " dia hole for hinge pin approximately $1\frac{1}{4}$ " deep into the threshold.
3. Pick up the door you have installed the hinges and handle onto, and gently place the bottom hinge pin into the $\frac{1}{4}$ " hole you have drilled into the pan threshold (making sure you have the Teflon slide washer on the pin).

D - Install Fixed Glass Panel & Glass Door

1. With someone helping to hold the shower door, place the top hinge mounting bracket (dia. 19) over the top hinge pin (making sure you have the Teflon slide washer on the pin). Check to make sure door is plumb and level, then mark with a pencil through the 3 holes on top hinge mounting bracket.
2. Move door and top hinge mount to one side and pre-drill the holes into the studs. The drilled holes should be large enough so the screws don't bind in the stone. Insert and tighten screws.
3. Next dry-fit the fixed panel into the correct alignment with the door, remove the glass and apply a $\frac{1}{4}$ " bead of 100% silicone into the channels. Re-insert the fixed glass panel and check alignment again. Allow the silicone to dry. You can silicone any gaps between the stone and glass to ensure water tightness.

E - Install Door Sweep & Seals

Locate the clear door sweep and attach it to the bottom of the glass door. The reflective shield should face into the shower (dia 21). **The door sweep is what keeps the door closed.** Adjust the door seal until the required tension is achieved. The door sweep has been cut to fit over the hinge. Cut off the excess length opposite of hinge side.

We have provided door seals for water sensitive areas such as wood floors. If glass panels and door are installed correctly with the proper spacing, outside water spillage will be minimal and the side seals won't be necessary. If you would like to use these side seals, follow the steps below:

1. The L shaped seal goes along the hinge side of the door on the threshold trim pieces. (dia. 22)
2. Place the seal along the edge of the glass and cut the seal to the proper length.
3. Remove the backer from the seal exposing the double-sided tape, only remove a small amount at a time.
4. Starting from the top, align the seal along the edge of the door and stick the seal to the threshold.
5. Work your way down the door. Do small sections at a time, slowly peeling the backer off the seal.
6. Locate the plastic h-shaped seal **GS**. It goes on the fixed glass, next to the handle edge.(dia. 22) Measure and cut the seal to length.
7. Starting from the top, push the seal onto the glass panel, slowly working your way down.

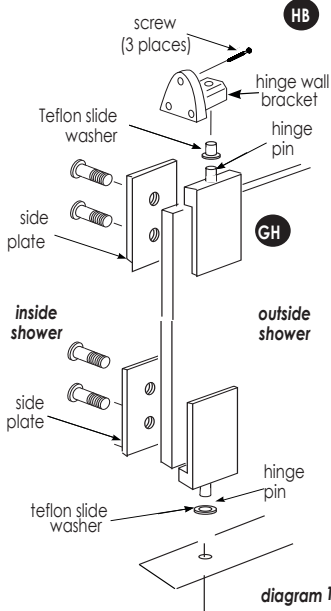


diagram 19

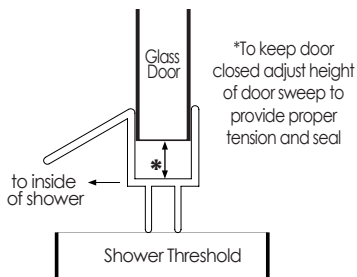


diagram 21

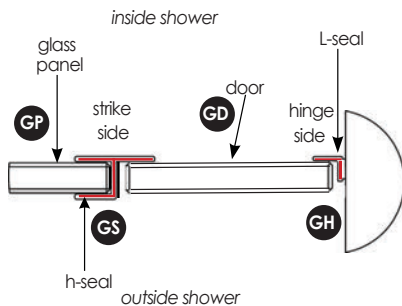
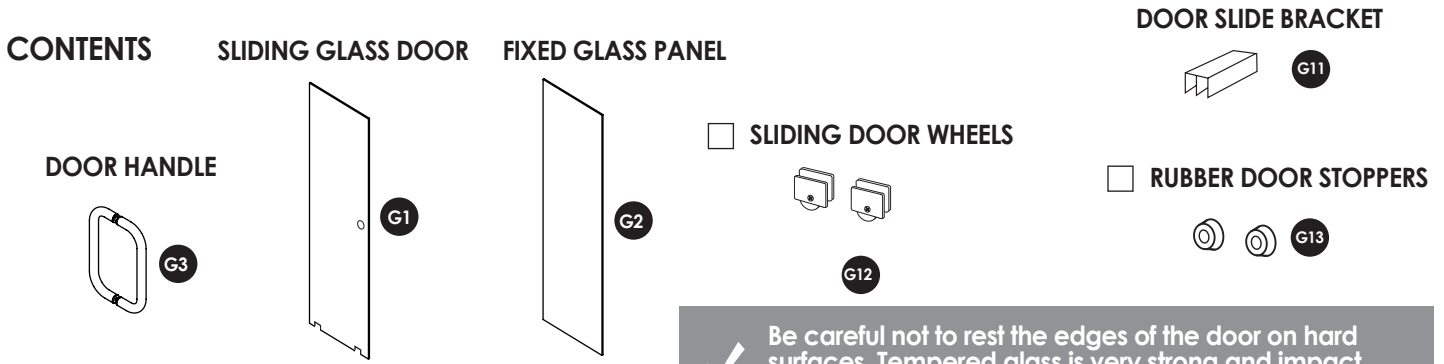


diagram 22



Our glass is tempered to make for a very strong door, the tempering gives maximum strength from impact on the surface, unfortunately this also make the glass very vulnerable to breakage from impacts to the bottom and top edges of the glass. Do not rest the top or bottom of glass panels on a hard floor or objects, keep the corner pads on the glass while handling. Place foam or a soft material under the glass panel when unpacking and setting aside.



✓ Be careful not to rest the edges of the door on hard surfaces. Tempered glass is very strong and impact resistant but its weakest point is impact on the edges.

A - Fixed Panel Installation

1. Locate the Fixed Glass Panel, **G2** Door Slide Bracket **G11** and 100% silicone.
2. Once you have determined the position of the Sliding Glass Door, left or right. (diagram 15 shows the top view of shower with a right or left door)
3. Dry fit the Fixed Glass Panel in place. Place the fixed glass panel into the channel of the wall casing, there is not a channel in the pan threshold. 100% silicone along with the side casings will hold the glass in place.
4. Now that you have dry-fitted the fixed panel, remove the panel and silicone in place. Place a bead of 100% silicone in the channel of the wall casings and on the pan threshold. Only apply a bead of silicone where the fixed glass panel will sit, don't go past the end of the panel. Place the fixed glass panel into position and secure in place until the 100% silicone is dry. Wipe off any excess silicone.

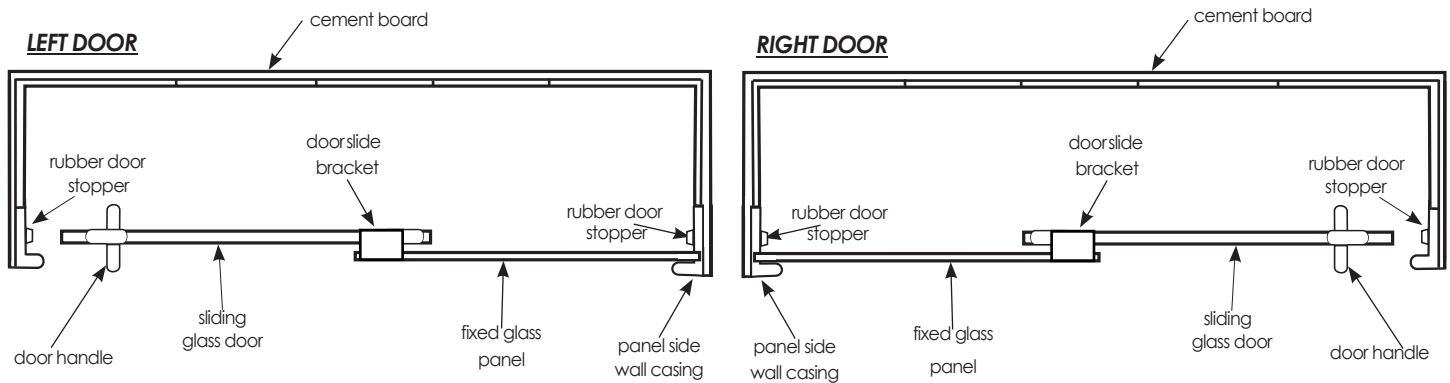


diagram 15

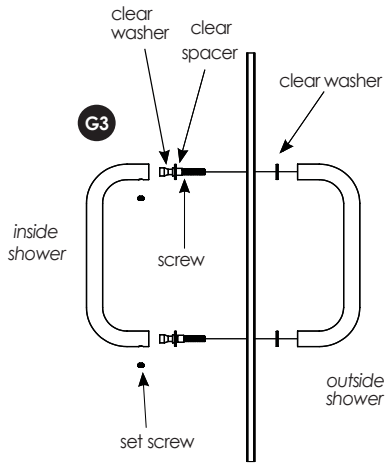


diagram 16

B - Handle Installation

1. Set the glass door in a position to enable the assembly of the handle.
2. A left door will have the handle on the left, a right door will have the handle on the right.
3. Loosen the set screws so you can separate the handles.
4. Unscrew the long bolt from the handle. Keep all rubber pieces attached to the screw.
5. Remove the first set of flat, clear washers from the bolt.
6. Start with the top hole on the glass door. Place the long bolt through the hole in the door (keeping the remaining rubber pieces on the bolt). On the other side of the glass place the flat washers onto the threaded portion of the bolt.(dia. 16)
7. Take one side of the handle and screw the long bolt into the end. Just start the bolt until a few threads catch. Keep loose.
8. Put the second bolt through the lower hole. Place the flat washer onto the bolt. Screw the bolt into the bottom handle.
9. Align the handle on the door and carefully tighten the long bolts. Do not over tighten.
10. Place the opposite handle over the long bolts and tighten the set screws to secure the handle.

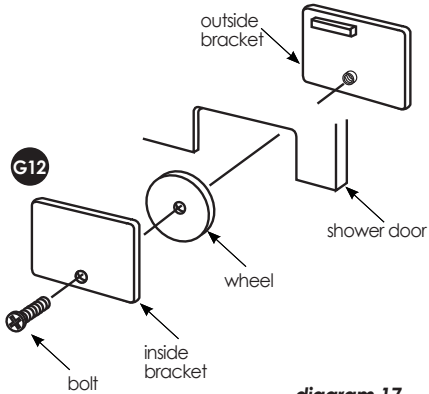


diagram 17

C - Sliding Glass Door Installation

1. Locate the shower door wheels (Preinstalled: diagram 17 is for reference only)
2. To install the wheels on the sliding glass door, unscrew the bolt from the inside bracket. Place the outside bracket on the outside of the door, and place the inside bracket and wheel into the cutout section of the shower door (diagram 17) Push the bolt through the inside bracket until it screws into the outside bracket. Repeat for the remaining wheels.
3. After 30 minutes to an hour the 100% silicone on the fixed glass panel should be secure enough to finish the door assembly. (do not use excessive force on the door until the silicone is fully dried) Have the door slide bracket handy and ready to install. Carefully place the door into position, with the wheels resting in to the pan threshold channel facing into the shower.
4. To secure the sliding door to the door slide bracket (diagram 18) take the clear rubber insert of the bracket and place a pea drop of silicone inside of channel then place on the top end of the fixed glass panel. Next lower the bracket over the clear rubber insert at the same time making sure the glass is going into the guide channel, push down leaving a 1/8" gap between top of the sliding door and the slide. (pushing the bracket down too far will create too much friction for the door to slide easily)
5. To install the two rubber door stops, place a drop of 100% silicone onto the rubber stops, and position on the left and right wall thresholds, in the center of where the door will stop.

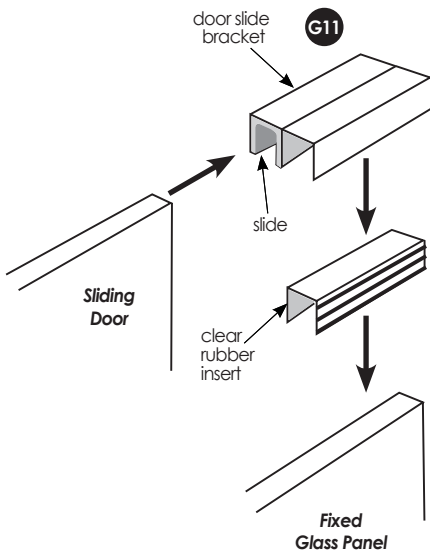


diagram 18

HELPFUL HINT: Apply a small bead of silicone between the rubber insert and the door slide bracket to secure the bracket from moving over time with use.

10

GROUT

Your American Bath Factory shower has a non-porous surface, which makes it easy to clean. Grout used must contain an ACRYLIC ADDITIVE to ensure proper bonding to the tiles. We suggest grouting in every union joint of shower components. Decorative lines in the shower walls and floors can be grouted if preferred, but it is not necessary.

1. Recommended grout: We Recommend a water based non-sanded Tile Grout in a caulking tube not "silicone caulk". You may also use powdered non-sanded grout, but we'd suggest using an acrylic additive to aid adhesion.
2. Make sure you do not let the grout dry completely onto the shower before removing and cleaning off the excess grout. If grout is allowed to dry onto the shower components, it will likely be difficult if not impossible to remove without damaging the shower's surface.

Note: Grout is not covered by ABF Warranty.

CARE & MAINTENANCE OF YOUR SHOWER SYSTEM

SISTINE STONE is easy to clean using dish soap. Dish soap is inexpensive and great to dissolve body oils as well will not leave a buildup of soap. If you have hard water spotting you may need something stronger like Comet or another non-scratch cleanser. "Lightly" scrub the stained area in a circular motion to avoid discoloration. The stone is naturally waterproof and will not absorb spills or soil, simply wipe away with a damp sponge.

Periodic cleaning with a sponge and warm, soapy water will remove any build up of dust or grime.

Periodically check the grout and silicone for any cracks and repair as needed.

SHOWER SYSTEM TROUBLESHOOTING

Correcting Bowed Wall Panels Sistine Stone Wall Panels are made to be flexible and may have a slight bow. This condition is normal and the panels will flatten when properly installed. If the panels have been stored improperly or have become excessively bowed, follow instructions below. Using a hair dryer or heating pad/blanket, warm up the backside of the panel in the most bowed area. Once the panel becomes malleable, lay panel on a flat surface and apply weight until cool and flat.

Cracked Tile As with any tile project, a tile can become damaged. Simply cut out the damaged tile, silicone a replacement tile in place, and grout.

Cracked Wall Panel Seam If your wall panel developed a crack in a grout line, simply grout over the cracked seam when it is installed. The grout will correct the problem, you will not be able to tell the crack was ever there.

Scratches & Blemishes Can be removed by wet-sanding the tile surface. Make sure tile surface and sandpaper are wet, and sand tiles until scratches and blemishes are removed.

Hinged Door Will Not Stay Closed Adjust height of door sweep to provide proper tension and seal.

Door Leaking The shower doors are designed not to leak under normal usage when installed properly, and the water flow is not pointed directly at the vinyl seals, hinges or opening.



13405 Estelle Street, Corona, California 92879
Phone 800.454.2284 Fax 951.734.1480
Visit us at www.americanbathfactory.com