

Warranty

Acceptance is expressly limited to the following terms and conditions and all different and additional terms proposed by Buyer are rejected unless expressly consented to by Seller in writing. Acceptance of AMERICAN BATH FACTORY products constitutes acceptance of Seller's terms and conditions. These terms, conditions, and warranties apply to AMERICAN BATH FACTORY products that are purchased after July 14, 2010 and maintained as described in any applicable user guide, installation guide, or care & maintenance instructions. Register online at americanbathfactory.com upon receipt of product to ensure full warranty protection.

Terms & Conditions

Boxing & Freight - Boxing and freight are included in pricing. Goods are shipped standard ground to the store. This catalog does not reflect extra freight shipping charges to Alaska and Hawaii. Please call (800)454-2284 for additional shipping charges.

Lead Time - Faucets will usually ship within 1 to 3 business days from receipt of order. All other products are custom made and will ship between 1 and 30 business days. Call for current lead times.

Resale License - All merchandise is sold to customers for resale. Buyer assumes full responsibility for all taxes or other assessments imposed by any local or federal government agencies. Customer must present an adequate resale or tax exemption certificate prior to setting up an account.

Splash of Color and Special Order Bathtubs - Splash of Color bathtubs and all customer specific special order items are non-returnable, unless determined defective by AMERICAN BATH FACTORY.

Claims - Claims associated with shortage, loss or shipping damage must be reported within 24 hours after receipt of shipment. Buyer must inspect the merchandise immediately upon receiving the product(s). In order for buyer to be held blameless upon receipt of goods any visible damage to shipping container must be recorded on receiving receipt. AMERICAN BATH FACTORY is not liable for: product damaged due to misuse or abuse during shipping, labor charges and/or damage incurred in installation, removal, repair, or replacement as well as incidental and consequential damages connected therewith are not covered in the warranty. AMERICAN BATH FACTORY shall be held blameless in any claim of injury during installation of AMERICAN BATH FACTORY products.

Returns & Cancellations - No returns or cancellations accepted without first obtaining an approval and an RMA (Returned Merchandise Authorization) Number. Restocking fees and terms are on RMA forms. This RMA Number must be visible on the returned packaging. Products must be returned in brand-new condition and original packaging to obtain a credit. If products received are in non resalable condition, items will either be returned to the sender at sender's expense or additional charges will be applied to pending credit amount. Credit will only be taken after issuance on a credit memo from AMERICAN BATH FACTORY. Buyer is responsible for all return freight charges. We will not accept returns after 30 days from the original ship date. Proof of purchase (original sales receipt) must be provided to AMERICAN BATH FACTORY.

Prices - Prices are subject to change without prior notification.

Warranty Information

AcaStone™ Bathtubs - Limited Lifetime Warranty - AMERICAN BATH FACTORY extends to the original consumer purchaser a limited lifetime warranty that the shell will maintain its structural integrity and configuration and be free of water loss due to a defect in the tub shell for as long as the original consumer purchaser owns their home. If a defect is found in normal residential use, AMERICAN BATH FACTORY will, at its election, repair, replace or make appropriate adjustment. The warranty does not cover damage to the surface caused by the use of chemicals that bond to or break the structural bonds of the product. All factory installed components (feet, blower, pump, metal or wood base, chromatherapy system, etc.) are covered against failure due to defects in materials and workmanship for a period of one year.

Champagne Massage® Blower and Whirlpool Pump - 1 Year Limited Warranty - The Champagne Massage® blower and whirlpool pump are warranted for one year from date of purchase. Should any defects develop within one year from date of purchase, we will, at our discretion, repair or replace the defective part or assembly. This limited warranty covers only replacement of defective parts, and shall not apply to repair or replacement labor costs, shipping or damages. No other liability or obligation is to be assumed.

Faucets - Limited Lifetime Warranty - The faucet body, ceramic cartridges and metal finishes (Chrome, Satin Nickel, Polished Nickel and Old World Bronze) of the AMERICAN BATH FACTORY faucet are warranted to the original consumer purchaser to be free from defects in material and workmanship for as long as the original consumer purchaser owns their home. The limited lifetime warranty does not include accessories. Examples of accessories would be: handles, hand showers, cradles, shower heads, hoses, supply lines or drains. If a defect is found in normal residential use, AMERICAN BATH FACTORY will, at its election, repair, replace or make appropriate adjustment. This limited warranty covers only replacement of defective parts, and shall not apply to repair or replacement labor costs, shipping or damages. In no event shall the liability of AMERICAN BATH FACTORY exceed the purchase price of the product.

Shower Systems - 1 Year Limited Warranty - Shower Systems are warranted to the original consumer purchaser to retain their structural integrity and configuration for a period of 1 year from the date of purchase. Covered items would include: tiles, pan and thresholds. This limited warranty covers only replacement of defective parts, and shall not apply to repair or replacement labor costs, shipping or damages. In no event shall the liability of AMERICAN BATH FACTORY exceed the purchase price of the product. This limited warranty does not apply to neglect or abuse.

Other Products and Accessories - 1 Year Limited Warranty - Cast Iron Bathtubs, Acrylic Bathtubs, Bathtub Feet, Plumber's Upgrade, Vanity Tops, Bowls, Furniture, Fireplace Surrounds, and Pedestals are guaranteed to be free from defects in material, workmanship and finish at the time of shipment. Examples of accessories would be: handles, hand showers, cradles, shower heads, hoses, supply lines or drains. Should any defects develop within one year from the date of purchase, we will, at our discretion, repair or replace the defective part or assembly. This limited warranty covers only replacement of defective parts, and shall not apply to repair or replacement labor costs, shipping or damages. No other liability or obligation is to be assumed.

Warranty Limitations & Exclusions - Improper use or failure to follow installation instructions will immediately void warranty. The AMERICAN BATH FACTORY Limited Warranty DOES NOT COVER the following:

1. Defects or damage arising from shipping, installation, alterations, accidents, abuse, misuse, lack of proper maintenance and use of other than genuine AMERICAN BATH FACTORY replacement parts, in all cases whether caused by a plumbing contractor, service company, the owner or any other person.
2. Deterioration through normal wear and tear.
3. Expense of normal maintenance - periodic replacement of washers, seals, etc. is a normal maintenance requirement.
4. Damage due to aggressive air or water conditions, or harsh or abrasive cleaners and/or materials.
5. The cost of repair or replacement of any installation materials, including but not limited to, tiles, marble, etc.
6. Postage or shipping costs for returning products for repairs or replacement under this limited warranty.
7. Labor or other costs incurred in connection with product removal or installation under this limited warranty.
8. Damage caused by failure of any after-market adhesive, caulk or other accessory, or failure of any caulked or filled joint or seam.
9. Damage caused by failure to adhere to manufacturer's directions or instructions when using any after-market product or accessory during installation or normal use.
10. Product moved from its original place of installation.
11. ANY LIABILITY FOR CONSEQUENTIAL OR INCIDENTAL DAMAGES, ALL OF WHICH ARE HEREBY EXPRESSLY DISCLAIMED, OR THE EXTENSION BEYOND THE DURATION OF THIS LIMITED WARRANTY OF ANY IMPLIED LIMITED WARRANTIES, INCLUDING THOSE OF MERCHANTABILITY OR FITNESS FOR AN INTENDED PURPOSE (Some Jurisdictions do not allow limitations on how long an implied limited warranty lasts, or the exclusion or limitation of incidental or consequential damages, so these limitations and exclusions may not apply to you).
12. Responsibility for compliance with local code requirement (Since code requirements vary greatly, distributors, dealers, installation contractors and users of plumbing products should determine whether there are any code restrictions on the installation or use of a specific product).
13. Display and floor models.
14. Color matches to store samples at point of purchase, website or catalog images cannot be guaranteed.
15. Acts of God, such as lightning, floods, earthquakes, etc.

Usage - This warranty excludes all industrial, commercial and business usage. Warranty coverage applies only to AMERICAN BATH FACTORY products installed in the United States of America, Canada, and Mexico. The limited warranties contained herein are not transferable or enforceable by any party other than the original purchaser (user). They shall not apply to damage or problems caused by improper handling, installation, or subsequent movement (transportation) of AMERICAN BATH FACTORY product(s) after the delivery. And they shall not apply to damage or problems caused by neglect, misuse, abuse or alteration of product's original design, accident, negligence by any other party, acts of God, or any other cause beyond the control of AMERICAN BATH FACTORY.

Performance - In the event of a defect covered by the limited warranties contained herein, you must notify an AMERICAN BATH FACTORY representative within 30 days after the date of the occurrence of the defect. If a defect is found in normal residential use, AMERICAN BATH FACTORY will, at its election, repair, replace or make appropriate adjustment within a reasonable time in accordance with and subject to the terms and conditions set forth herein. Proof of purchase (original sales receipt) must be provided to AMERICAN BATH FACTORY with all warranty claims. AMERICAN BATH FACTORY shall not be liable for (a) the cost of shipping or otherwise transporting parts, materials necessary to correct any defect and (b) any direct, indirect, incidental or consequential damages, (c) all products are thoroughly inspected for defects prior to shipment and a follow up inspection is required after receiving the product. Thus the AMERICAN BATH FACTORY warranty will not cover the cost associated with the removal and reinstallation of defective products. In no event shall the AMERICAN BATH FACTORY be liable for any cause or reason whatsoever, regardless of whether such liability is founded on breach of contract a tortious act otherwise, in excess of the purchase price of the product. Improper use or installation will immediately void warranty.

Disclaimer - Authorized AMERICAN BATH FACTORY representatives are not agents of AMERICAN BATH FACTORY, and no agent, dealer, representative, salesperson or other person is authorized to change, modify, expand or extend limited warranties contained herein or to bind AMERICAN BATH FACTORY or any of its authorized representatives held liable for injury or damage to any person or property for any claim, regardless of the manner in which the claims arise.

Warranty services and replacement parts may be obtained by contacting AMERICAN BATH FACTORY at our Product Services Department:

Phone
(800) 454-2284

Website
www.americanbathfactory.com

Email
customerservice@americanbathfactory.com

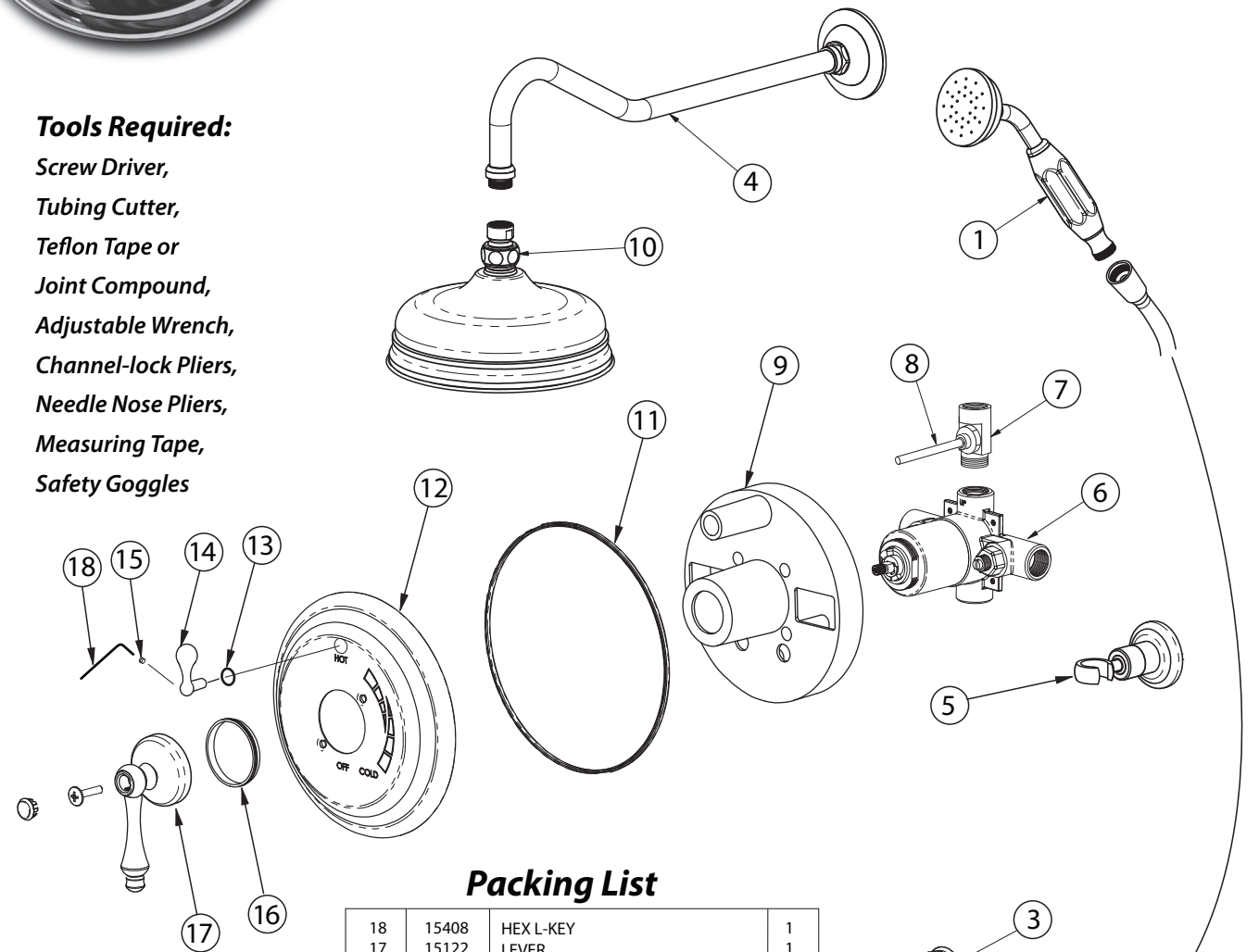
is10037 Rev G



Pressure Balance Valve Installation Instructions

Tools Required:

Screw Driver,
Tubing Cutter,
Teflon Tape or
Joint Compound,
Adjustable Wrench,
Channel-lock Pliers,
Needle Nose Pliers,
Measuring Tape,
Safety Goggles

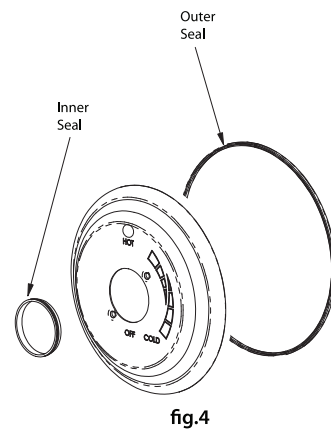
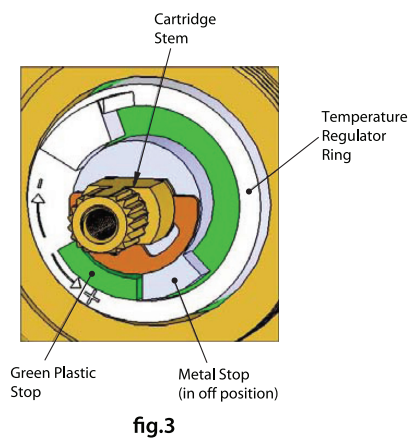
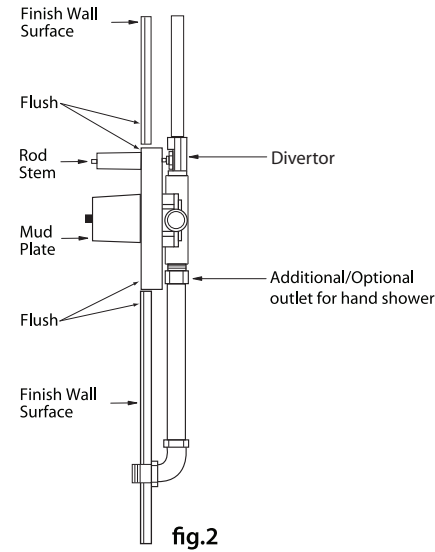
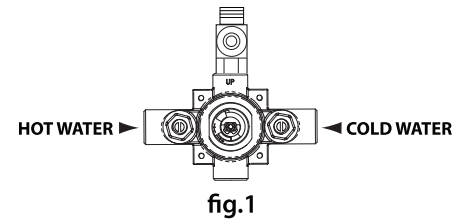


Packing List

18	15408	HEX L-KEY	1
17	15122	LEVER	1
16	15131	GASKET, 4010 TRIM PLATE INNER	1
15	15411	SET SCREW	1
14	15405	ROD HANDLE	1
13	15406	FLAT NYLON WASHER	1
12	15129	TRIM PLATE, 4010 PRESSURE BAL	1
11	15148	GASKET, 4010 TRIM PLATE OUTER	1
10	5130M	SHOWERHEAD, 8" PAN	1
9	15130	MUDPLATE	1
8	15046	ROD STEM	1
7	1071M	DIVERTOR	1
6	4010	VALVE, PRESSURE BALANCE	1
5	10392	HANDSHOWER MOUNT TRAD	1
4	5160	ARM, HOOKED SHWR W/ESC	1
3	30014	SPLY, TRAD HSHWR W/BALL VALVE	1
2	1030	HOSE, HAND SHOWER	1
1	1020	ASSY, HAND SHOWER	1
ITEM	PART NO.	DESCRIPTION	ITEM

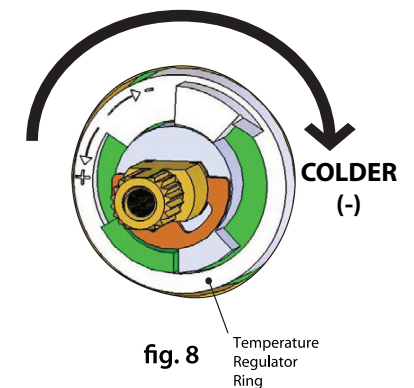
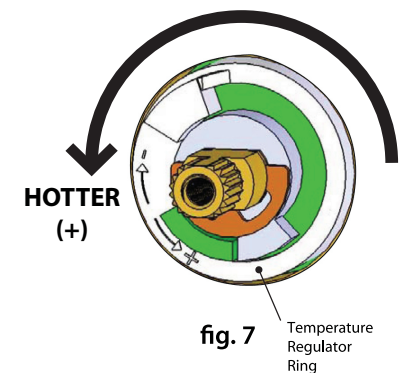
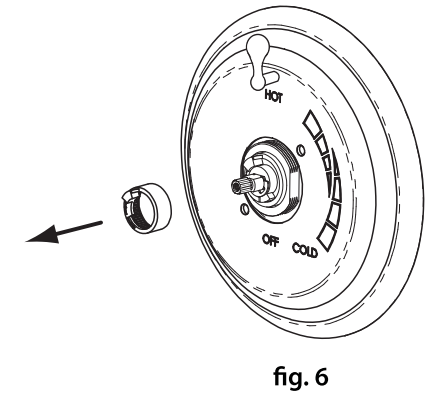
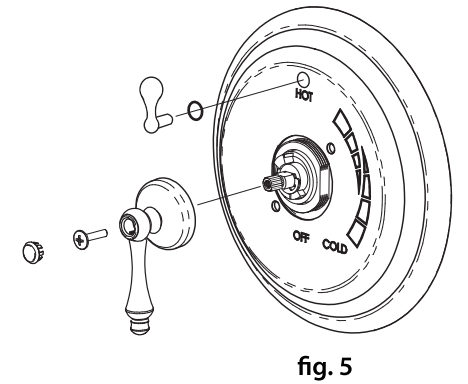
Installation Instructions

1. Please read all instructions and take careful measurements before beginning installation. Remember to take into consideration shower pan floor height, finished width and design of your shower when placing the valve.
2. Remove center handle by removing cap and unscrew philips head screw. Pull center handle off. Next, remove the top showerhead shutoff handle with an allen wrench.
3. Remove trim plate and seals. Place in safe location.
4. Flush all piping to remove dirt and debris from inside pipes.
5. Shut off the water supply.
6. Make sure the mud plate is screwed tightly to the valve. Position the valve so the "UP" is facing upward towards the head shower outlet (fig. 1)
7. Make the proper measurements to determine the depth to position the valve. The face of the mud plate should be flush with the face of the finished wall when completed (fig. 2)
8. Connect the power supply pipes to the outlets. The valve has 1/2" NPT pipe threads. You must use Teflon tape or joint compound on all threaded fittings. Use the appropriate connectors to attach the pipes. While facing the valve, connect the hot water to the left side of the valve and the cold water to the right side of the valve (fig. 1)
9. Determine the position of the showerhead outlet. Make the appropriate measurements and connect it to the top outlet of the showerhead diverter.
10. Determine the desired position of the Handshower outlet and make the appropriate measurements. Attach plumbing lines to the valve bottom outlet and extend to the desired location. Attach the handshower supply diverter with Teflon Tape.
11. When all pipe connections are finished test the system for leaks by first removing the mud plate and making sure the valve is in the off position. Do this by attaching the handle to the cartridge valve stem and turning the cartridge stem clockwise until it stops. Make sure the metal stop on the cartridge stem is touching the plastic stop (Fig. 3)
12. Slowly turn on the water supply and check for leaks in the plumbing.
13. Get a bucket to catch the water from the showerhead and the handshower outlet and connect the handle to the valve. Turn on the water and check the hot and cold operation. Check again for leaks.
NOTE: The water should get hotter as you turn the handle counter clockwise. Turning the handle clockwise will make the water colder and turn the water off.
14. If all is well, turn off the valve and water supply. Locate the trim plate outer seal and place it on the outside edge of the trim plate (Fig. 4)



Installation Instructions (continued)

15. Locate the trim plate inner seal and install it on the inside hole of the trim plate. The larger side of the seal goes towards the inside of the trim plate (Fig. 4)
16. Slide the trim plate over the valve so the HOT label is facing up. Using your fingers, get both screws started and aligned before final tightening.
17. Install the large handle on the valve making sure the handle is positioned straight down in the off position. Refer back to figure 3 to make sure the cartridge stem is in the off position.
18. Using the screw provided screw the handle into position (Fig. 5)
19. Place the handle cap on the handle by applying pressure (Fig. 6)
20. Place the small o-ring onto the stem first, then install the showerhead divertor handle using an allen wrench. Make sure that the set screw is aligned with the flat side of the stem and tightened securely.
21. Attach showerhead and arm. Attach handshower and handshower hose.
22. Once you have finished the installation turn on the water supply and allow the shower to run on for three minutes. Check for and repair any leaks.



NOTE: The valve is equipped with an adjustable temperature regulator to protect against scalding. Depending on your water supply system this may need adjustment. This adjustment can be made at anytime, even after the shower system has been completely installed.

23. Make sure your water heater is adjusted to the proper output temperature. We advise setting the output temperature to 120°F.
24. To adjust the temperature regulator on the pressure balance valve remove the handle.
25. Using pliers pull the temperature regulator ring straight out towards the handle (Fig. 6)
26. Rotate the ring counter clockwise for hotter operation (Fig. 7) and clockwise for colder operation (Fig. 8). We suggest only making slight adjustments at a time.
27. Push the ring back onto the valve in the new position.
28. Install the handle on the valve.
29. Test the shower for hot and cold operation. Continue to adjust the ring until you reach your temperature requirements.