

# Ultimate Walk In Spa Bath with Foot Massage



93217 Left Hand Door and Drain



93218 Right Hand Door and Drain

Actual Size: 29.75" W x 59.75" L x 38" H  
Shipping Size: 33" W x 63" L x 47" H  
Shipping Weight: 350 lbs.  
Net Weight: 240 lbs.  
Water Capacity: 95 gal. US (unoccupied)  
55-85 gal. US (occupied)

**Options:**

- Left or Right Hand Door/Drain
- 5 Piece Fast Fill Roman Faucet Set with Polished Chrome Finish (Hot, Cold, Diverter, Hand Shower, Tub Spout)

**Included Features:**

1. Tub Shell – Acrylic Tub Shell:
  - High quality cast acrylic grade A
  - Excellent color uniformity
  - High Gloss White Finish
  - 5 mm cast acrylic sheet
  - Fiberglass Reinforced
2. Stainless Steel Frame
3. Low threshold step in 8.5" with the option to lower to 5.5"
4. Seat Width: 20"
5. LED multiple color chromatherapy light with ON/OFF push control
6. Eight (8) adjustable heavy duty leveling legs
7. Stainless steel and tempered glass door, door frame and door seal gasket
8. Removable door for easy cleaning
9. Deck mount and wall mount two (2) safety grab bars
10. Unique removable swivel tray (Patent Pending)
11. Two (2) front, one (1) toe kick and one (1) side removable access panels
12. Air Massage System:
  - Nine (9) therapeutic air massage jets
  - 0.5HP air pump
  - ON/OFF push control
13. Hydro Massage System: *Upper*
  - Five (5) adjustable and six (6) fixed hydro jets
  - *Upper* air flow regulator for adjustable hydro massage
  - 1HP pump (900 Watts)

- ON/OFF push control
  - Ozone Sterilization (12 Volts) with ON/OFF push control
14. Hydro Massage System: *Lower*
    - Six (6) adjustable hydro jets
    - *Lower* air flow regulator for adjustable hydro massage
    - .75HP pump (900 Watts)
    - ON/OFF push control
    - In-line water heater (1.5 KW)
  15. Five-Piece Fast Fill Roman Tub Faucet
    - Solid brass spout with chrome finish
    - Three (3) Lever Handles
    - Pull out hand held shower with 5 ft. retractable stainless steel hose

**Plumbing:**

- Two (2) x 2" floor drains with 2 overflows and 2 ADA compliant stainless steel cable operated openers with extension handles
- Drainage time +/- 80 seconds to overflow
- Two (2) PVC 2" drain elbows with 2" opening

**Electrical:**

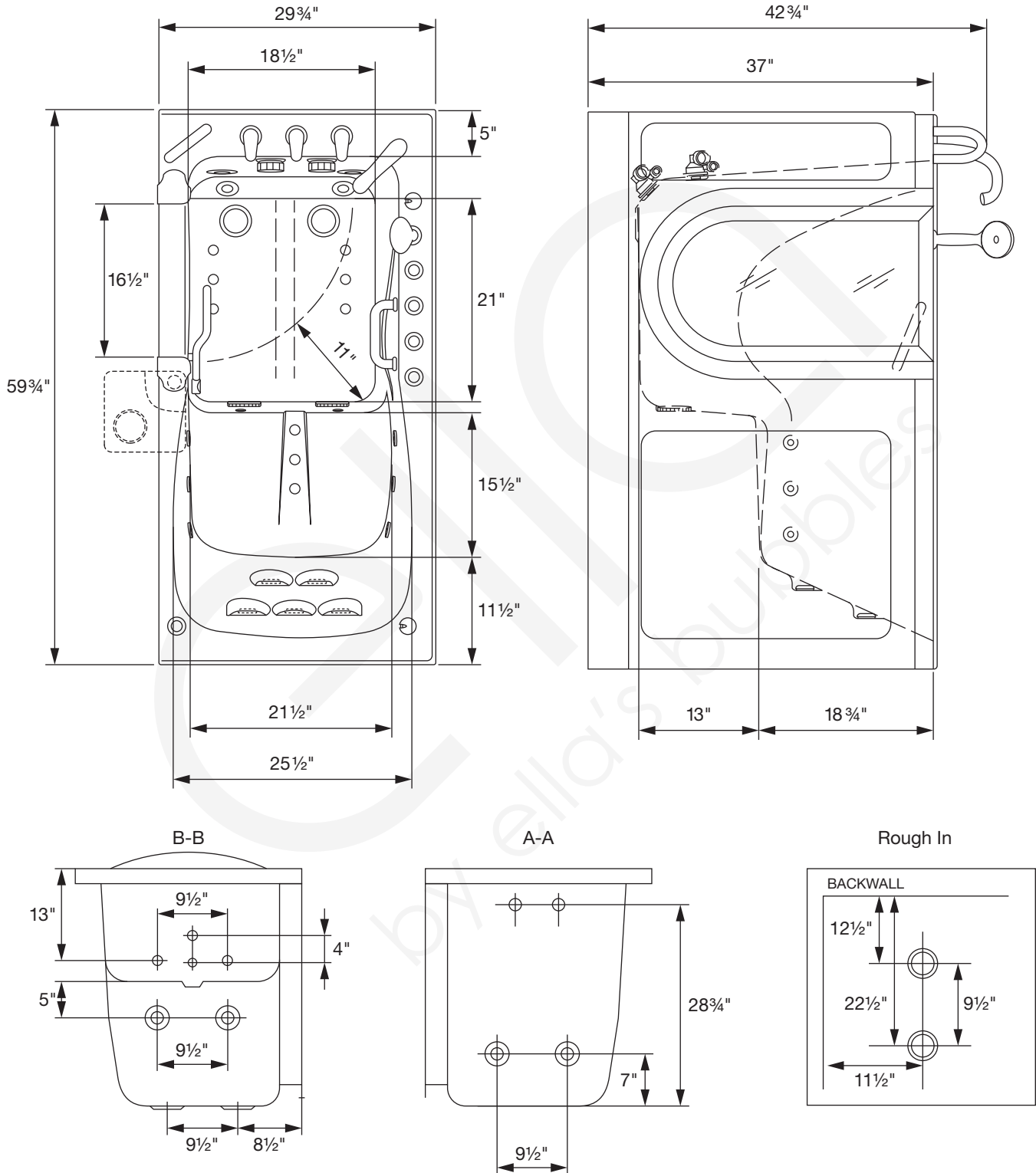
Electrical requirement is two (2) dedicated 120 V electrical line connection with two (2) 20AMP dedicated GCFI breaker line connection.

**Warranty:**

- Lifetime limited warranty on frame, door, door seal gasket and acrylic walk in tub shell
- 5 Year parts warranty\*

\*For more information please visit [www.ellasbubbles.com](http://www.ellasbubbles.com)

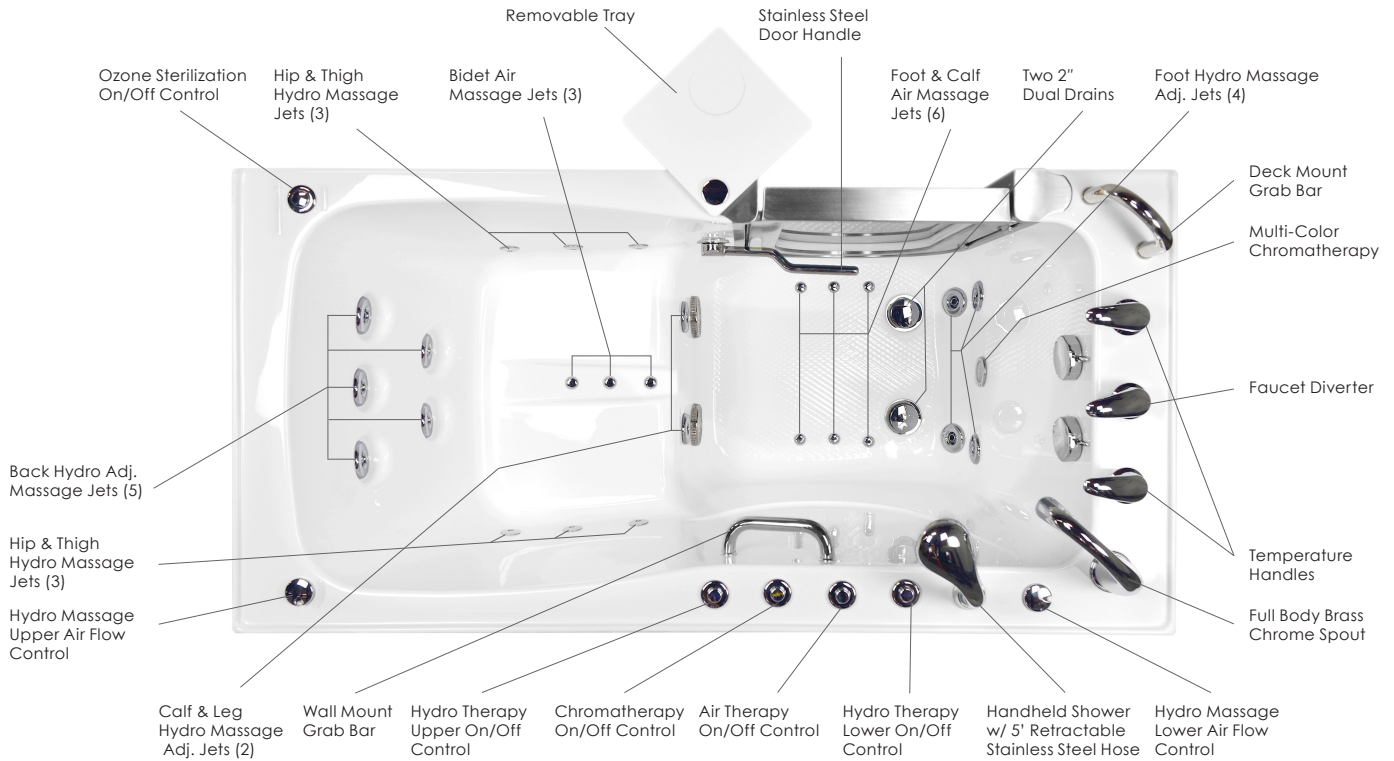
\*Left hand door and drain shown



Disclaimer:

In an effort to continually improve our product, specifications and configurations are subject to change without notice. Before ordering or installing, consider future access to essential equipment.

# Ultimate Walk In Spa Bath with Foot Massage Features



Panel On



Panel Off



Lowered Threshold



Baseboard On  
(not supplied)