



Hi-Lux, Inc.

3135 Kashiwa Street, Torrance, CA 90505, Tel: (310)257-8142, Fax:(310)257-8096

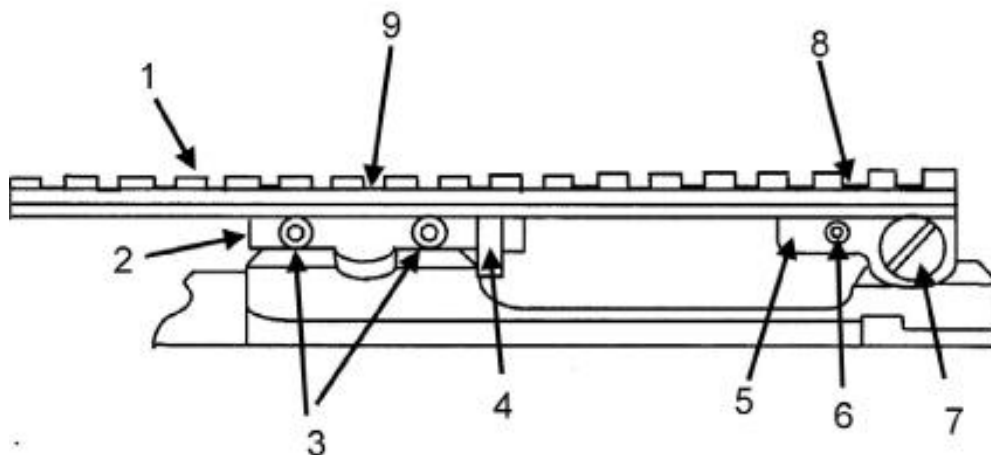
Website: www.leatherwoodoptics.com or www.hi-luxoptics.com

M-77 RUGER BASE INSTALLATION INSTRUCTION

This base will fit on either the long or short action M77. Due to the variations of the receivers, you might need to modify the right side of the front clamp a little bit to fit the receiver. There are two holes in the part # 2 that will accept screw 9 (Big Allen Head Screw not shown). The rear hole is for the long action and the front hole is for the short action.

The installation is very simple. Loosen the screws 3 and locking nut 7 sufficiently for the clamps to enter the grooves on the rifle receiver. The clamp on the part# 2 grips the grooves on the front ring when screws 3 are tightened and screw 7 tightens the clamping screw that grips the grooves in the rear ring position. Be sure that the recoil lug 4 is touching the rear of the front receiver ring groove when screws 3 are tightened. If the recoil lug 4 cannot touch the grooves on the front ring position properly, you can remove the part no 4 and leave the recoil lug 4 out.

Once attached, the one-piece picatinny rail #1 can be adjusted for windage by adjusting screws 6 on each side of the part # 5. After you get the windage adjusted to the position you want, then tighten the screws 8 and 9. These two big Allen head screws will lock up the windage adjustment, the rail, and the mount together in place. The two-windage screws 6 do not need to be tightened too hard. Blue Lock-Tite is recommended for the screw 3, 7, 8 and 9. No gunsmith is needed to install this mount.



If you have any questions about this product, please feel free to contact us at the toll free no. 1-888-HI-LUX-12 (445-8912) or send us an e-mail to techsupport@hi-luxoptics.com