



Leatherwood Hi-Lux OPTICS



Setting up the M1000 is easier than it might seem.

- Step 1: Set the CAM
- Step 2: Zero
- Step 3: Fine Tuning

M1000 SET UP - QUICK REFERENCE GUIDE - by Corbett Leatherwood

Use this as a supplemental guide to the User's Manual. Also watch the Video on the M1000 Product page.

www.leatherwoodoptics.com/product/riflescopes/leatherwood-art/m-1000/

Corbett's Notes:

In an effort to make setting up the M1000 easier, I'm creating this supplemental guide and the User's Manual available on the M1000 Product page.

Please feel free to send feedback to feedback@hi-luxoptics.com to let me know if this addresses your questions, or if you'd like to see additional information added.

Recommendations to SET UP

Mounting: For the **most secure mounting** use the SPLIT WASHER and WINGNUTS. If you plan to take the scope on and off, the regular washer and round thumbnuts are your best option.

STEP 1: SET THE CAM

Use the M1000 Cartridge guide to select the initial setting. (See Video starting at 1:38)

FAQ: What if my round is not listed? (See page 16 in the manual)

ANSWER: You are going to need to know your round's ballistics. We provide a chart that show bullet drop trajectories. Compare your ballistics to the chart to select a "STARTING" CAM setting.

Why do I use the word "STARTING"? Because you can fine tune the CAM setting for you specific rifle and round.

During STEP 3, you can take your rifle to the range and shoot out at the long range targets to dial in your CAM.

CAM RULE OF THUMB

"Shoot High-Go High / Shoot Low-Go Low"

If you shoot high at 400 meters, move you CAM setting to a higher setting, for example, from 420 to 450. If that successfully brings your round down to where you desire, then shoot at 500 or 600 meters. If you shoot Low, you may dial your CAM back to 435. By repeating this process, you can Fine Tune your CAM.

11. M-1000 Cartridge Chart.

The following calibers were determined by actual test firings. If your favorite caliber, bullet weight, bullet style or manufacturer is not listed, follow the procedure in the Section 10 to set the scope for your particular cartridge. For an explanation of the abbreviations used here, see Bullet Type abbreviations following the chart.

CARTRIDGE	BULLET WEIGHT (Grains)	MANUFACTURER & BULLET TYPE			CAM SETTING
		Federal	Remington	Winchester	
17 Remington	25		HPPL		370
222 Remington	50		HPPL		330
222 Remington	50	SP	PSP/MC	PSP	320
222 Remington	55		FMC		370
223 Remington	55			FMC	390
223 Remington	55		HPPL		380
223 Remington	55	SP	PSP		320
223 Remington	68		FMJBT		370
225 Winchester	55			PSP	420
22-250 Rem.	55		HPPL		450
22-250 Rem.	55	SP	PSP	PSP	450
243 Winchester	80	SP	PSP/HPPL	PSP	440
243 Winchester	100	HSSP	PSPCL	PP (SP)	430
6mm Remington	100		PSPCL	PP (SP)	450
25-06 Remington	100		PSPCL		450
25-06 Remington	120		PSPCL	PEP	460
250 Savage	100		PSP		360
264 Win. Mag	140		PSPCL	PP (SP)	450
270 Winchester	100		PSP	PSP	430
270 Winchester	130	HSSP	BP	PP (SP)	450
270 Winchester	130		PSPCL	ST	450

"Step 1: Set the CAM"

Use the M1000 Cartridge Chart to set your initial CAM Setting. After you Zero (Step 2), you can Fine Tune your CAM by shooting at desired distances and adjusting your CAM setting use the "CAM Rule of Thumb"

M1000 SET UP CONTINUED

Step 2: ZERO

Step 3: Fine Tune the CAM

STEP 1: SET THE CAM CONT

Loosen the Thumb Screw on the CAM ring.



Once the CAM Ring is loosened, you can turn the CAM setting to match the correct setting for you round. In this picture, you will see the setting is 460.

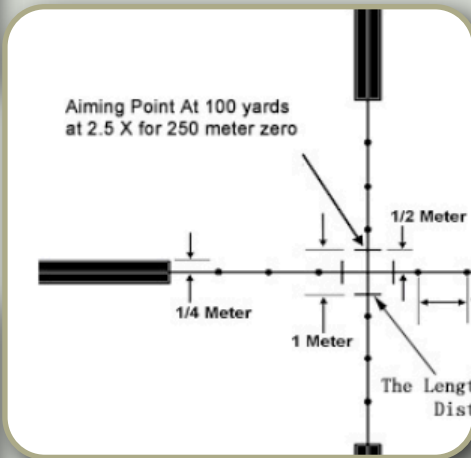


STEP 2: ZERO

If you have access to a 250 Meter range, that is ideal. Zero with the CAM all the way down.

If you wish to use your Zoom, you can disengage the Zoom Ring from the CAM Ring and Zoom to 10x if you'd like. Just ensure that the CAM is set for 250 Meters.

If you only have a 100 Yard Range, you can use the upper "hash" on the cross hair as your aim point. This will give you an approximate 250m zero.



Nothing takes the place of hands on practice. You should practice both Known and Unknown distance drills.

With **Known** Distance, you can simply set the CAM for the distance and engage the target. (DON'T FORGET WIND & ELEVATION)

To get good at **Unknown** Distance engagements, practice your framing technique on known distance 18" targets. Once you get comfortable with consistent sight pictures of 18", then have fun with variable, "unknown" distance targets. [See my Range video on our Video page as well]

Fine Tuning the CAM, as mentioned on page 1 of this document should follow the CAM Rule of Thumb.

CAM RULE OF THUMB

"Shoot High-Go High / Shoot Low-Go Low"

If you shoot high at 400 meters, move you CAM setting to a higher setting, for example, from 420 to 450. If that successfully brings your round down to where you desire, then shoot at 500 or 600 meters. If you shoot Low, you may dial your CAM back to 435. By repeating this process, you can Fine Tune your CAM.

STEP 3: PRACTICE & FINE

TUNING THE CAM



Visit the [Set Up Video](#) on our Website

Got a Story?

Please write us and send pictures. We are very interested in hearing about your experience with Leatherwood / Hi-Lux Products and would like to share your success with others.

Send your stories to:
feedback@hi-luxoptics.com

Find more stories on our website

- Cows Attack (M1000)
- Who Needs Holdover Anyway (M1000)
- Shotgun News Articles
- More...

www.hi-luxoptics.com
www.leatherwoodoptics.com

M1000 SET UP GUIDE

April 2012