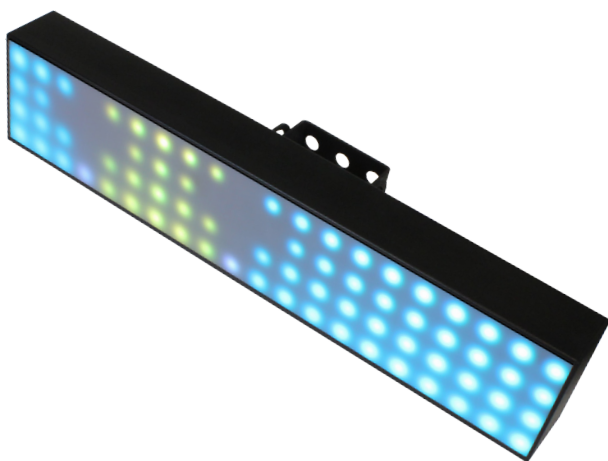


blizzard lighting mini
tm



Blizzard Lighting, LLC
www.blizzardlighting.com
Waukesha, WI USA
Copyright (c) 2016

TABLE OF CONTENTS

Pixellicious Mini™	1
1. Getting Started	3
What's In The Box?	3
Getting It Out Of The Box	3
Powering Up!	3
Getting A Hold Of Us	3
Safety Instructions (Don't Stick Your Hand In The Toaster!)	4
2. Meet Pixellicious Mini™	5
Main Features	5
DMX Quick Reference	5
The Pixellicious Mini™ Pin-up Picture	6
Rear Connections	6
3. Setup	7
Fuse Replacement	7
Clear/Frost Filter Installation	7
Data/DMX Cables	7
Cable Connectors	8
Mounting & Rigging	8
Series Attachment	8
Fixture Linking (Master/Slave Mode)	9
Mounting & Rigging	9
Vertical Mounting	9
4. Operating Adjustments	10
Navigating The Control Panel	11
Control Panel Menu Structure	11
DMX Mode	11
Master/Slave Mode	11
Extended View Mode	11
Sound Active Mode	11
Standalone (Program) Mode	11
DMX Channel Values In-Depth	12
Troubleshooting	13
Image Modes	14
Dimensional Drawings	17
5. Appendix	15
A Quick DMX Lesson	15
Art-net™ Protocol	15
ArKaos Kling-Net™	15
Keeping Your Pixellicious Mini™ As Good As New	16
Returns (Gasp!)	16
Shipping Issues	16
Tech Specs	17

1. GETTING STARTED

What's In The Box?

- 1 x Pixellicious Mini™ Professional LED Fixture
- 1 x Clear Filter
- An Ever-So-Handy Power Cord
- This Lovely User Manual

Getting It Out Of The Box

Congratulations on your purchase of the Pixellicious Mini™, the fun sized version of our way popular 1-meter Pixellicious™ pixel mapping LED bar! So, now that you've got your Pixellicious Mini™ (or hopefully, Mini's!), you should carefully unpack the box and check the contents to ensure that all parts are present and in good condition. If anything looks as if it has been damaged in transit, notify the shipper immediately and keep the packing material for inspection. Again, please save the carton and all packing materials. If a fixture must be returned to the factory, it is important that the fixture be returned in the original factory box and packing.

Powering Up!

All fixtures must be powered directly off a switched circuit and **cannot be run off a rheostat (variable resistor) or dimmer circuit, even if the rheostat or dimmer channel is used solely for a 0% to 100% switch.**

AC Voltage Switch - Not all fixtures have a voltage select switch, so please verify that the fixture you receive is suitable for your local power supply. See the label on the fixture or refer to the fixture's specifications chart for more information. A fixture's listed current rating is its average current draw under normal conditions. Check the fixture or device carefully to make sure that if a voltage selection switch exists that it is set to the correct line voltage you will use.

Warning! Verify that the voltage select switch on your unit matches the line voltage applied. Damage to your fixture may result if the line voltage applied does not match the voltage indicated on the voltage selector switch. All fixtures must be connected to circuits with a suitable Ground (Earthing).

Getting A Hold Of Us

If something is wrong, please just visit our website at www.blizzardlighting.com and open a support ticket. We'll be happy to help, honest.

Blizzard Lighting
N24 W23750 Watertown Rd Suite B
Waukesha, WI 53188 USA
www.blizzardlighting.com
414-395-8365

Disclaimer: The information and specifications contained in this document are subject to change without notice. Blizzard Lighting™ assumes no responsibility or liability for any errors or omissions that may appear in this user manual. Blizzard Lighting™ reserves the right to update the existing document or to create a new document to correct any errors or omissions at any time. You can download the latest version of this document from www.blizzardlighting.com.

Author:	Date:	Last Edited:	Date:
J. Thomas	2/15/2016	J. Thomas	2/15/2016

SAFETY INSTRUCTIONS



Please read these instructions carefully. They include important information about the installation, usage and maintenance of this product.

- Please keep this User Guide for future use. If you sell the unit to someone else, be sure that they also receive this User Guide.
- ALWAYS make sure that you are connecting to the proper voltage, and that the line voltage you are connecting to is not higher than that stated on the decal or rear panel of the fixture.
- This product is intended for indoor use only.
- To prevent risk of fire or shock, do not expose fixture to rain or moisture.
- Make sure there are no flammable materials close to the unit while operating.
- The unit must be installed in a location with adequate ventilation, at least 20in (50cm) from adjacent surfaces. Be sure that no ventilation slots are blocked.
- ALWAYS disconnect from the power source before servicing or replacing fuse and be sure to replace with same fuse size and type.
- ALWAYS secure fixture using a safety chain. NEVER carry the fixture by its cord. Use its carrying handles.
- DO NOT operate at ambient temperatures higher than 104°F (40°C).
- In the event of a serious operating problem, stop using the unit immediately. NEVER try to repair the unit by yourself. Repairs carried out by unskilled people can lead to damage or malfunction. Please contact the nearest authorized technical assistance center. Always use the same type spare parts.
- NEVER connect the device to a dimmer pack.
- Make sure the power cord is never crimped or damaged.
- Never disconnect the power cord by pulling or tugging on the cord.
- Avoid direct eye exposure to the light source while it is on.

Caution! There are no user serviceable parts inside the unit. Do not open the housing or attempt any repairs yourself. In the unlikely event your unit may require service, please visit www.blizzardlighting.com/support to request support via our online support ticket system.

2. MEET THE PIXELLICIOUS MINI™ LED FIXTURE

MAIN FEATURES

- Easy-to-use pixel mapping and video 1/2 meter bar
- 80* (tri-color) SMD 5050 LEDs, 50,000 hours
- Control each using Art-Net™ (3.0 compliant) or ArKaos Kling-Net
- Works great with ArKaos Media Master Express for easy plug-n-play
- Create vertical effects with hardware linking system
- Wide viewing angle and excellent color rendering
- 29 built-in programs, auto (mix) mode + sound active
- Link up to four in-lines with network cables or create vertical effects with hardware linking system
- Easily manage configuration and software updates with the network-based remote web server

ADDITIONAL FEATURES

- High-performance fanless convection cooling
- Mounting bracket with dual locking knobs for positioning flexibility
- RJ45 Ethernet in/out data connections
- 3-pin male input and 3-pin female output
- PowerCon™ compatible AC power In/Out connectors

DMX Quick Reference - 8/20 Channel Modes

Channel	8-Channel	20-Channel
1	Dimmer	Dimmer
2	Strobe	Strobe
3	Red Intensity	Red Section 1
4	Green Intensity	Green Section 1
5	Blue Intensity	Blue Section 1
6	Auto Programs 1-15	Red Section 2
7	Auto Programs 16-29	Green Section 2
8	Speed (slow <-> fast)	Blue Section 2
9-17	---	R/G/B Sections 3-5
18	---	Auto Programs 1-15
19	---	Auto Programs 16-29
20	---	Speed (slow <-> fast)

DMX Quick Reference - 240-Channel Mode

Channel	240-Channel
1	LED 1 - Red Intensity
2	LED 1 - Green Intensity
3	LED 1 - Blue Intensity
4-240	Individual R/G/B LED Control (LEDs 2-80)

Figure 1: The Pixellicious Mini™ Pin-Up Picture

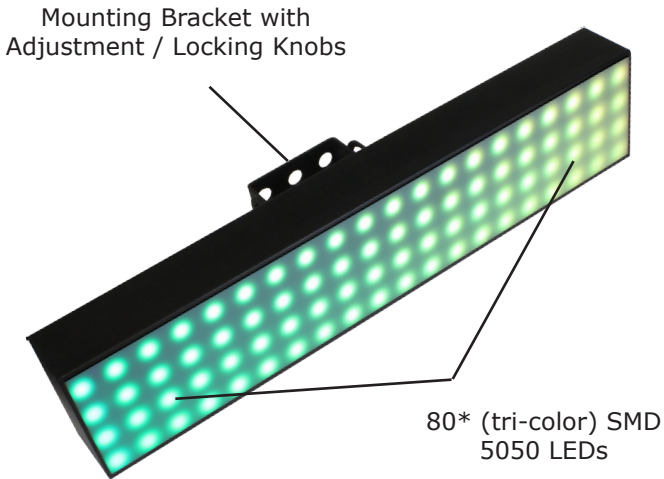
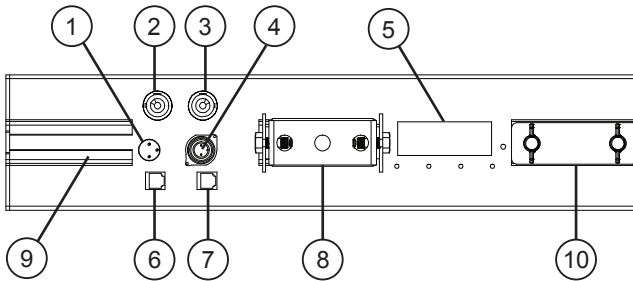


Figure 2: The Rear Connections



1. 3-Pin DMX Out	3. Power Input	5. LCD Menu	7. RJ45 Jack	9. Connect Guide
2. Power Output	4. 3-Pin DMX In	6. RJ45 Jack	8. Bracket	10. Connect Bracket

3. SETUP

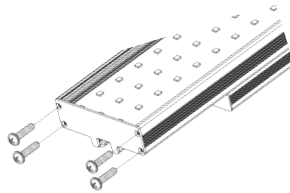
Fuse Replacement

CAUTION! This fixture utilizes a high-output switch-mode power supply with an internal fuse. Under normal operating conditions, the fuse should not require replacement. Should your Pixellicious Mini™ fuse require replacement, please contact Blizzard Lighting for instructions, or to return your unit for service.

Clear/Frost Filter Installation:

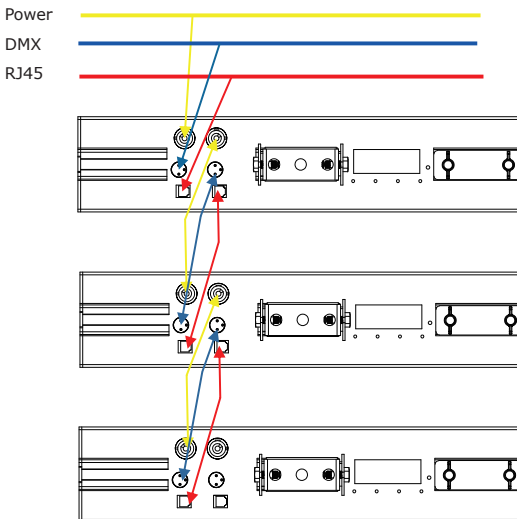
The Pixellicious Mini™ includes a frost filter already installed. Follow the procedure below to install the clear filter.

1. Locate the end cap of the product that does not have the connecting hardware.
2. Remove the 4 screws from the end cap of the product.
3. Remove/install filter (*frost filter with the shiny side facing toward the LEDs*).
4. Re-install the end cap.



Data/DMX Cabling

To link fixtures together you'll need data cables. You should use data-grade cables that can carry a high quality signal and are less prone to electromagnetic interference.



Mounting & Rigging

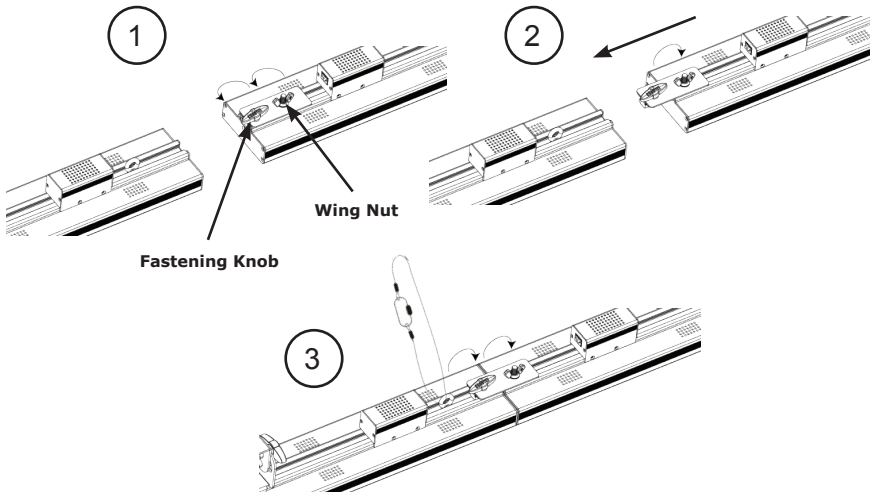
This fixture can be mounted in any SAFE position provided there is enough room for ventilation.

It is important never to obstruct the vents pathway. Mount the fixture using a suitable "C" or "O" type clamp. The clamp should be rated to hold at least 10x the fixture's weight to ensure structural stability. Do not mount to surfaces with unknown strength, and ensure properly "rated" rigging is used when mounting fixtures overhead.

Series Attachment

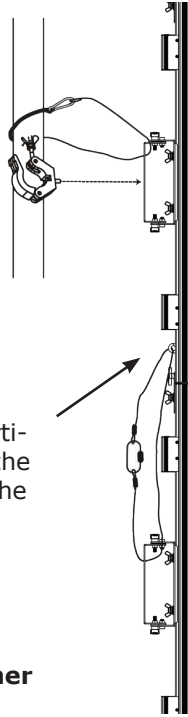
Pixellicious Mini™ fixtures can be attached in an end-to-end formation to create a strip up to 1.5 meters long from just one rigging point. Do not connect any more than a total of 3 in a row when hanging vertically.

1. Loosen the fastening knob and wing nut.
2. Slide the connecting bracket out till it stops and tighten the wing nut.
3. Slide the Pixellicious Mini™ into the connecting bracket and tighten the fastening knob, then attach the safety cable.



Vertical Mounting

1. Attach the clamp to the mounting bracket.
2. Attach the clamp to the desired structure or surface.
3. Attach a safety cable to the product's safety loop.



When hanging 2 or 3 fixtures vertically, attach a safety cable from the safety loop of the top fixture to the bracket of the lower fixture.

***Never attach more than 3 fixtures together when hanging vertically.**

4. OPERATING ADJUSTMENTS

The Control Panel

All the goodies and different modes possible with the Pixellicious Mini™ are accessed by using the control panel on the rear of the fixture. There are 4 control buttons below the LCD display which allow you to navigate through the various control panel menus.

<MENU>

Is used to navigate to the previous higher-level menu item.

<ENTER>

Is used to select and confirm/store the current selection.

<UP>

Scrolls through menu items and numbers in ascending order.

<DOWN>

Scrolls through menu items and numbers in descending order.



Menu



Enter



Up



Down

The control panel LED display shows the menu items you select from the menu map on page #11. When a menu function is selected, the display will show immediately the first available option for the selected menu function. To select a menu item, press **<ENTER>**.

Use the **<UP>** and **<DOWN>** buttons to navigate the menu options. Press the **<ENTER>** button to select the menu function currently displayed, or to enable a menu option. To return to the previous option or menu without changing the value, press the **<MENU>** button.

Control Panel Menu Structure

DMX Address	001-512	To choose the DMX address
DMX CH Mode	8CH	8-channel DMX mode
	20CH	20-channel DMX mode
	240CH	240-channel DMX mode
Auto Mode	Speed	Speed adjustments (1-9)
	Program	Built-in programs (1-29) + Mix Mode
Slave Mode	Yes/No	Sets fixture to run in slave mode
Sound Mode	Yes/No	Sound active mode
Network Settings	IP Address	IP address settings
	Subnet Mask	Subnet mask settings
	Net Subnet Unive	Net subnet universe settings
Image Mode	Image I	Image Map Layout 1 (see page 13)
	Image II	Image Map Layout 2 (see page 13)

DMX Mode

Allows the unit to be controlled by any universal DMX controller.

Change the Starting DMX Channel:

1.) The default DMX channel appears as **001** on the LCD readout. To select a different starting DMX channel, use the **<UP/DOWN>** buttons to navigate to **DMX Address**, and press the **<ENTER>** button. Then use the **<UP/DOWN>** buttons to select a value ranging from 001-512, and press the **<ENTER>** to confirm your choice.

Setting the DMX Channel Mode:

1.) To select a DMX channel mode, use the **<UP/DOWN>** buttons to navigate to **DMX CH Mode**, and press the **<ENTER>** button. Then use the **<UP/DOWN>** buttons until the display reaches your desired channel mode. Press the **<ENTER>** button to confirm.

Slave Mode:

1.) To set a fixture to run in slave mode, use the **<UP/DOWN>** buttons to navigate to **Slave Mode**, and press the **<ENTER>** button. Then use the **<UP/DOWN>** buttons to highlight either **Yes** or **No**. Press the **<ENTER>** button to confirm your choice.

Network Settings:

Set multiple units to run extended patterns via Net Subnet Universe value settings.

Extended Veiw Mode:

1.) While in master/slave mode, to run extended patterns between multiple fixtures; set the Net Subnet Universe setting of each fixture to have a different value: ex., for 8 fixtures use the values 01-08. In contrast, matching Net Subnet Universe values will result in identical/individual patterns that will not extend the view between the group of fixtures.

Stand-Alone, & Sound Active Modes:

Allows a single or Master/Slaved units to run factory installed programs at user selectable speeds.

Auto Mode:

1.) To run any of the fixture's individual programs or all of them in "Mix Mode", use the **<UP/DOWN>** buttons to navigate to **Auto Mode**, and press the **<ENTER>** button. You can then adjust the speed setting from 1-9 (slow <-> fast), or press the **<UP/DOWN>** buttons to navigate to **Program** to select any of its 29 programs, or **Mix Mode** to cycle through them all. Press the enter button to confirm your choice.

Sound Active Mode:

1.) To use sound active mode, select **Sound Mode** from the main menu then press the **<ENTER>** button. Sound active will now be actively running, using the currently set auto program or Mix Mode.

DMX Values In-Depth (8-Channel Mode)

Channel	Value	What It Does
1	000 <--> 255	Dimmer (0% <--> 100%)
2	000 <--> 255	Strobe (Slow <--> Fast)
3	000 <--> 255	Red Intensity (0% <--> 100%)
4	000 <--> 255	Green Intensity (0% <--> 100%)
5	000 <--> 255	Blue Intensity (0% <--> 100%)
6	000 <--> 255	Auto Programs (1-15)
7	000 <--> 255	Auto Programs (16-29) + Mix Mode
8	000 <--> 255	Auto Program Speed (Slow <--> Fast)

DMX Values In-Depth (20-Channel Mode)

Channel	Value	What It Does
1	000 <--> 255	Dimmer (0% <--> 100%)
2	000 <--> 255	Strobe (Slow <--> Fast)
3	000 <--> 255	Section 1 Red Intensity (0% <--> 100%)
4	000 <--> 255	Section 1 Green Intensity (0% <--> 100%)
5	000 <--> 255	Section 1 Blue Intensity (0% <--> 100%)
6	000 <--> 255	Section 2 Red Intensity (0% <--> 100%)
7	000 <--> 255	Section 2 Green Intensity (0% <--> 100%)
8	000 <--> 255	Section 2 Blue Intensity (0% <--> 100%)
9	000 <--> 255	Section 3 Red Intensity (0% <--> 100%)
10	000 <--> 255	Section 3 Green Intensity (0% <--> 100%)
11	000 <--> 255	Section 3 Blue Intensity (0% <--> 100%)
12	000 <--> 255	Section 4 Red Intensity (0% <--> 100%)
13	000 <--> 255	Section 4 Green Intensity (0% <--> 100%)
14	000 <--> 255	Section 4 Blue Intensity (0% <--> 100%)
15	000 <--> 255	Section 5 Red Intensity (0% <--> 100%)
16	000 <--> 255	Section 5 Green Intensity (0% <--> 100%)
17	000 <--> 255	Section 5 Blue Intensity (0% <--> 100%)
18	000 <--> 255	Auto Programs (1-15) *ch 1 & 2 must be 000
19	000 <--> 255	Auto Programs (16-29) + Mix *ch 1 & 2 must be 000
20	000 <--> 255	Auto Program Speed (Slow <--> Fast)

DMX Values In-Depth (240-Channel Mode)

Individual R/G/B Pixel Control Value: 000 <--> 255.

CH	LED	CH	LED	CH	LED	CH	LED	CH	LED	CH	LED	CH	LED	CH	LED
1	1R	31	11R	61	21R	91	31R	121	41R	151	51R	181	61R	211	71R
2	1G	32	11G	62	21G	92	31G	122	41G	152	51G	182	61G	212	71G
3	1B	33	11B	63	21B	93	31B	123	41B	153	51B	183	61B	213	71B
4	2R	34	12R	64	22R	94	32R	124	42R	154	52R	184	62R	214	72R
5	2G	35	12G	65	22G	95	32G	125	42G	155	52G	185	62G	215	72G
6	2B	36	12B	66	22B	96	32B	126	42B	156	52B	186	62B	216	72B
7	3R	37	13R	67	23R	97	33R	127	43R	157	53R	187	63R	217	73R
8	3G	38	13G	68	23G	98	33G	128	43G	158	53G	188	63G	218	73G
9	3B	39	13B	69	23B	99	33B	129	43B	159	53B	189	63B	219	73B
10	4R	40	14R	70	24R	100	34R	130	44R	160	54R	190	64R	220	74R
11	4G	41	14G	71	24G	101	34G	131	44G	161	54G	191	64G	201	74G
12	4B	42	14B	72	24B	102	34B	132	44B	162	54B	192	64B	222	74B
13	5R	43	15R	73	25R	103	35R	133	45R	163	55R	193	65R	223	75R
14	5G	44	15G	74	25G	104	35G	134	45G	164	55G	194	65G	224	75G
15	5B	45	15B	75	25B	105	35B	135	45B	165	55B	195	65B	225	75B
16	6R	46	16R	76	26R	106	36R	136	46R	166	56R	196	66R	226	76R
17	6G	47	16G	77	26G	107	36G	137	46G	167	56G	197	66G	227	76G
18	6B	48	16B	78	26B	108	36B	138	46B	168	56B	198	66B	228	76B
19	7R	49	17R	79	27R	109	37R	139	47R	169	57R	199	67R	229	77R
20	7G	50	17G	80	27G	110	37G	140	47G	170	57G	200	67G	230	77G
21	7B	51	17B	81	27B	111	37B	141	47B	171	57B	201	67B	231	77B
22	8R	52	18R	82	28R	112	38R	142	48R	172	58R	202	68R	232	78R
23	8G	53	18G	83	28G	113	38G	143	48G	173	58G	203	68G	233	78G
24	8B	54	18B	84	28B	114	38B	144	48B	174	58B	204	68B	234	78B
25	9R	55	19R	85	29R	115	39R	145	49R	175	59R	205	69R	235	79R
26	9G	56	19G	86	29G	116	39G	146	49G	176	59G	206	69G	236	79G
27	9B	57	19B	87	29B	117	39B	147	49B	177	59B	207	69B	237	79B
28	10R	58	20R	88	30R	118	40R	148	50R	178	60R	208	70R	238	80R
29	10G	59	20G	89	30G	119	40G	149	50G	179	60G	209	70G	239	80G
30	10B	60	20B	90	30B	120	40B	150	50B	180	60B	210	70B	240	80B

Image Modes (Image Mapping)

Here are 2 examples of fixture positions for **Image Mode I** and **Image Mode II**.

Image Mode I: (note: 8-15, no function)

0	1	2	3	4	5	6	7
---	---	---	---	---	---	---	---

Image Mode II:

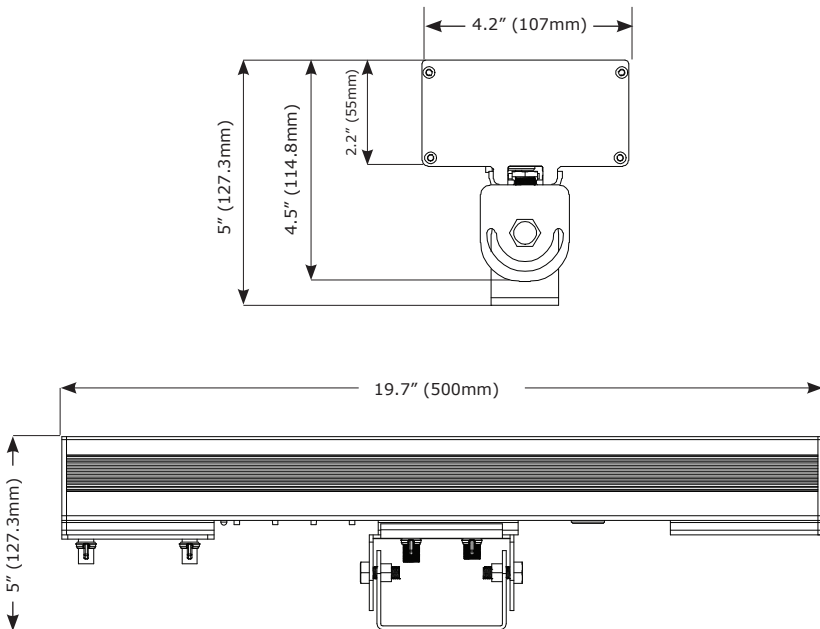
0	1
2	3
4	5
6	7
8	9
10	11
12	13
14	15

Troubleshooting

Symptom	Solution
No Light Output	Check to ensure fixture is operating under correct mode, IE sound active/auto/DMX/Etc., if applicable.
Chase Speed Too Fast/ Slow	Check to ensure proper setup of speed adjustment.
No Power	Check AC cord and circuit for malfunction.
Slow Movement	Check that speed channels are set appropriately.
No Response to Audio	Verify that the fixture is in "Sound Active" mode.
Fixture Not Responding / Responding Erratically	Make sure all connectors are seated properly and securely. Use Only DMX Cables and/or check cables for defects Install a Terminator. Reset fixture(s).
Fixture Moving On Its Own	Verify proper mode of operation. Is the fixture in "Auto" mode?

If your problem persists or isn't listed, please open a support ticket online at: www.blizzardlighting.com/support.

Dimensional Drawings



5. APPENDIX

A Quick Lesson On DMX

DMX (aka DMX-512) was created in 1986 by the United States Institute for Theatre Technology (USITT) as a standardized method for connecting lighting consoles to lighting dimmer modules. It was revised in 1990 and again in 2000 to allow more flexibility. The Entertainment Services and Technology Association (ESTA) has since assumed control over the DMX512 standard. It has also been approved and recognized for ANSI standard classification.

DMX provides up to 512 control "channels" per data link. Each of these channels was originally intended to control lamp dimmer levels. You can think of it as 512 faders on a lighting console, connected to 512 light bulbs. Each slider's position is sent over the data link as an 8-bit number having a value between 0 and 255. The value 0 corresponds to the light bulb being completely off while 255 corresponds to the light bulb being fully on.

DMX is connected using a daisy-chain configuration where the source connects to the input of the first device, the output of the first device connects to the input of the next device, and so on. The standard allows for up to 32 devices on a single DMX link.

Each receiving device typically has a means for setting the "starting channel number" that it will respond to. For example, if two 6-channel fixtures are used, the first fixture might be set to start at channel 1 so it would respond to DMX channels 1 through 6, and the next fixture would be set to start at channel 7 so it would respond to channels 7 through 12.

The greatest strength of the DMX communications protocol is that it is very simple and robust. It involves transmitting a reset condition (indicating the start of a new "packet"), a start code, and up to 512 bytes of data. Data packets are transmitted continuously. As soon as one packet is finished, another can begin with no delay if desired (usually another follows within 1 ms). If nothing is changing (i.e. no lamp levels change) the same data will be sent out over and over again. This is a great feature of DMX -- if for some reason the data is not interpreted the first time around, it will be re-sent shortly.

Not all 512 channels need to be output per packet, and in fact, it is very uncommon to find all 512 used. The fewer channels are used, the higher the "refresh" rate. It is possible to get DMX refreshes at around 1000 times per second if only 24 channels are being transmitted. If all 512 channels are being transmitted, the refresh rate is around 44 times per second.

Art-net™ Protocol

Art-Net is a protocol for transmitting the lighting control protocol DMX512-A (with RDM) over the User Datagram Protocol of the Internet Protocol suite. The protocol was developed by Wayne Howell and his company, Artistic Licence Engineering (UK) Ltd, is open for implementation with attribution but without charge, and made available as a software development kit for convenience. It is typically implemented as lighting-control nodes in embedded controllers, driven from a lighting desk or similar software operating as a server. Art-Net compatible products are made available by dozens of companies.

ArKaos Kling-Net™

ArKaos has designed the Kling-Net protocol to allow the distribution of real-time video data to remote display devices, such as LEDs or LED panels, over Ethernet.

Many first time users are afraid of using LED lighting because of the complexity of networking and control issues. Using and networking LED lighting has required a high level of technical knowledge which has been a deterrent for many.

ArKaos wanted to remove all this complexity and replace it with an easy protocol which automatically takes care of the magic numbers for the user!

The purpose of Kling-Net is:

- To allow the automatic configuration and connection of display devices to a computer
- To add some "intelligence" into display devices, which enables auto configuration
- To ensure a perfect time synchronization of multiple display devices
- To avoid using expensive hardware video converters to send video to display devices
- To allow the creation of an heterogeneous network of display devices from different manufacturers, which can all be controlled from one computer

Keeping Your Pixellicious Mini™ As Good As New

The fixture you've received is a rugged, tough piece of pro lighting equipment, and as long as you take care of it, it will take care of you. That said, like anything, you'll need to take care of it if you want it to operate as designed. You should absolutely keep the fixture clean, especially if you are using it in an environment with a lot of dust, fog, haze, wild animals, wild teenagers or spilled drinks.

Cleaning the optics routinely with a suitable glass cleaner will greatly improve the quality of light output. Keeping the fans free of dust and debris will keep the fixture running cool and prevent damage from overheating.

In transit, keep the fixtures in cases. You wouldn't throw a prized guitar, drumset, or other piece of expensive gear into a gear trailer without a case, and similarly, you shouldn't even think about doing it with your shiny new light fixtures.

Common sense and taking care of your fixtures will be the single biggest thing you can do to keep them running at peak performance and let you worry about designing a great light show, putting on a great concert, or maximizing your client's satisfaction and "wow factor." That's what it's all about, after all!

Returns (Gasp!)

We've taken a lot of precautions to make sure you never even have to worry about sending a defective unit back, or sending a unit in for service. But, like any complex piece of equipment designed and built by humans, once in a while, something doesn't go as planned. If you find yourself with a fixture that isn't behaving like a good little fixture should, you'll need to obtain a Return Authorization (RA).

Don't worry, this is easy. Just go to our website and open a support ticket at www.blizzardlighting.com/support, and we'll issue you an RA. Then, you'll need to send the unit to us using a trackable, pre-paid freight method. We suggest using USPS Priority or UPS. Make sure you carefully pack the fixture for transit, and whenever possible, use the original box & packing for shipping.

When returning your fixture for service, be sure to include the following:

- 1.) Your contact information (Name, Address, Phone Number, Email address).
- 2.) The RA# issued to you
- 3.) A brief description of the problem/symptoms.

We will, at our discretion, repair or replace the fixture. Please remember that any shipping damage which occurs in transit to us is the customer's responsibility, so pack it well!

Shipping Issues

Damage incurred in shipping is the responsibility of the shipper, and must be reported to the carrier immediately upon receipt of the items. Claims must be made within seven (7) days of receipt.

Tech Specs!

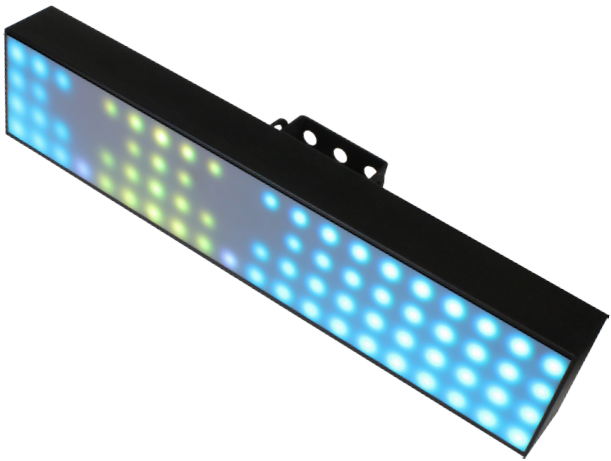
Weight & Dimensions		
Width	19.7 inches (500mm)	
Depth	4.2 inches (107 mm)	
Height	5 inches (127.3 mm)	
Weight	4.6 lbs. (2.2 kg)	
Power		
Operating Voltage	90-240VAC, 50-60 Hertz	
Power Consumption	51W, .36A	
Light Source		
LED	80 LEDs (tri-color) SMD 5050, 50,000 hours life expectancy	
Optical		
Beam Angle	120 degree beam	
Luminance	Clear Filter	Frosted Filter
	2586 NITS	2160 NITS
Pixels	20 x 4	
Pixel Pitch	25mm	
Thermal		
Max. Operating Temp.	104 degrees F (40 degrees C) ambient	
Control		
Protocol	Art-Net™, Kling-Net, USITT DMX-512	
DMX Channels	8/20/240-Channels	
Artnet Channels	240-Channels	
Input/Output	3-pin XLR Male/Female	
Other Operating Modes	Standalone, Master/Slave, Auto, Sound Active	
Other Information		
I wish this manual had three more words. There we go.		
Warranty	2-year limited warranty, does not cover malfunction caused by damage to LEDs.	

DISCLAIMER:

The power connector fitted to the fixture and fixture cord are designed for compatibility with products manufactured by Neutrik AG, Neutrik USA and their related entities, however they are not manufactured by, affiliated with or endorsed by Neutrik AG, Neutrik USA, or any related entity. Neutrik® and powerCON® are registered trademarks of Neutrik AG.

This page intentionally left blank.

This page intentionally left blank.



**Enjoy your product!
Our sincerest thanks for your purchase!
--The team @ Blizzard Lighting**