

Oberon™ Profile LED Spotlights

Oberon™ profile ellipsoidal imaging spotlights produce high intensity sharp or soft edged beams that are perfect for theatre, studio applications, nightclubs, museums, or anywhere that precisely controlled accent spot lighting is needed.

Available models:

- Oberon™ Profile NZ (narrow zoom, 15-28 degree)
- Oberon™ Profile WZ (wide zoom, 20-45 degree)

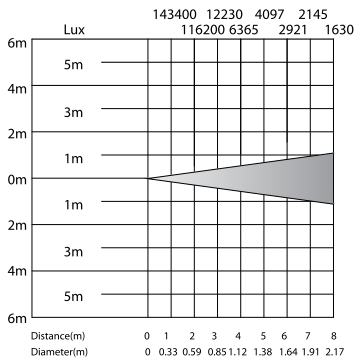
Both of these incredible fixtures are equipped with a 200W high-intensity 3200K tungsten COB LED, and offer an incredible CRI of 95. The light quality is comparable to natural sunlight and incandescent lighting, while consuming much less energy. They provide rich and accurate color rendition, natural skin tones, and can deliver brightness with ease!

Users can manually zoom and focus the fixtures via two locking adjustment knobs located on the side of the housing. One knob controls the zoom/beam angle, and the other controls the focus. When the knobs are loosened, they easily slide back and forth to allow for a smaller or larger spot, with either a soft or sharp, finely focused edge.

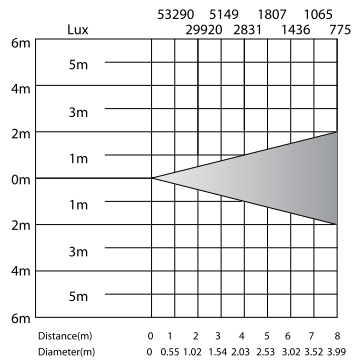
These fixtures also come equipped with a stainless-steel shutter blade assembly, an attachable color gel frame, gobo holder, and can be used in standalone or master/slave mode with multiple units using simple 1-channel DMX mode, or 2-channel DMX mode with master dimming and built-in strobe effects (1-20 fps).

They have an easy-to-use 4-button LCD menu that offers quick access to DMX address and master/slave settings, 0-100% manual dimming, demo mode (off/on/strobe), and fixture reset. They are also equipped with 3/5-pin DMX In/Out jacks, and PowerCon™ compatible AC power In/Out connectors which allow users to safely power link up to 5 fixtures.

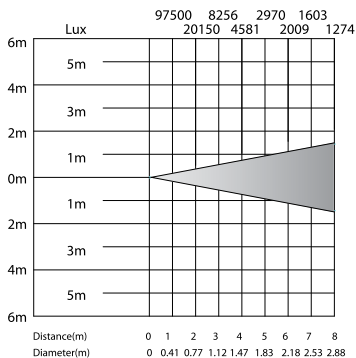
Oberon™ Profile NZ and WZ fixtures are both cETL listed, covered by Blizzard's 2-year limited warranty, and available in your choice of either black or white housing!



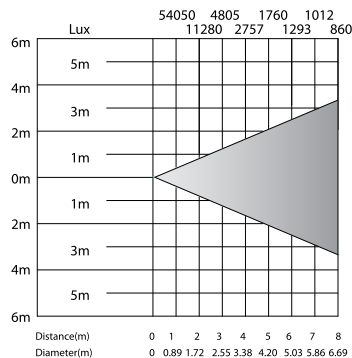
PROFILE NZ: 15°



PROFILE NZ: 28°



PROFILE WZ: 20°



PROFILE WZ: 45°

○BERON

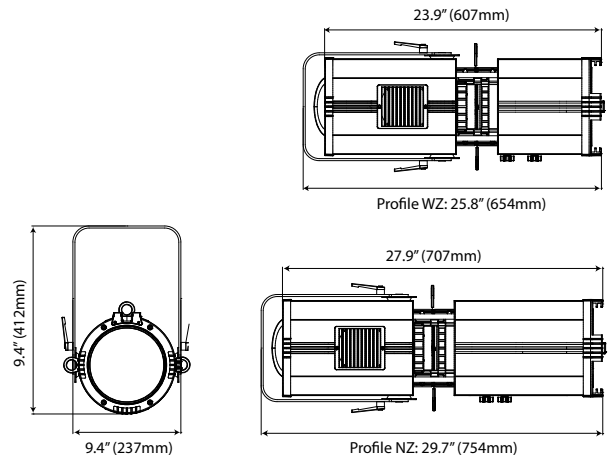
Profile NZ

Shown: Oberon Profile NZ (B)



Profile WZ

Both models available in Black or White



Power

- Voltage: 100-240VAC, 50-60 Hertz
- Power Consumption: 250W

Optical

- 1x 200W Tungsten 3200K COB LED, 50,000 hours
- 15-28 degree zoom (Profile NZ), 20-45 degree zoom (Profile WZ)
- Luminous Flux: 17,000lm/18,000lm, CRI: 95Ra
- Gobo Size: 85mm, image size 60mm

Thermal

- Max. Operating Temp.: 104 degrees F (40 degrees C) ambient
- Cooling System: Heat pipe, zero fan noise

Control

- Protocol: USITT DMX-512, 1 or 2-channel DMX
- 4-button LCD control panel
- Input: 3/5-pin XLR Male, Output: 3/5-pin XLR Female
- Standalone, Master/Slave Mode

