

LIGHTCASTER™

W-DMX IP

IP65 Wireless W-DMX Transceiver

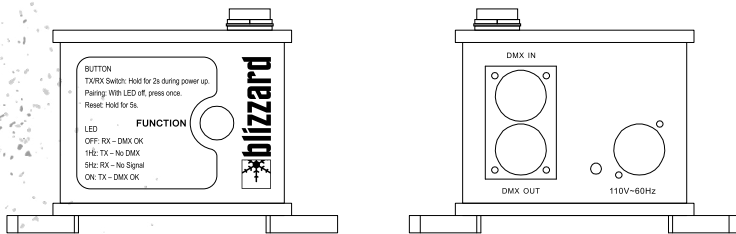
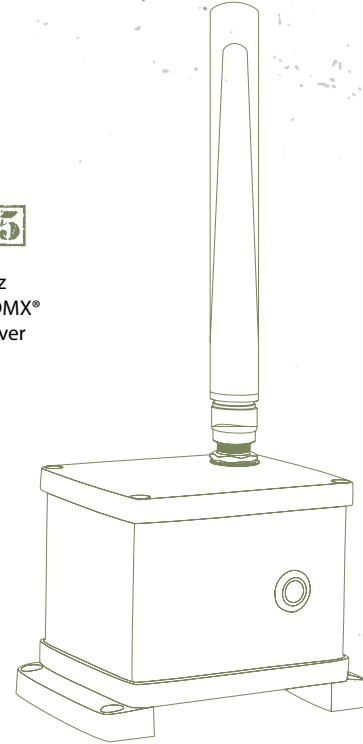
The LightCaster™ IP W-DMX is an outdoor rated W-DMX transceiver featuring Wireless Solution's W-DMX Nano G5 PCB + antenna to allow powerful wireless DMX/RDM1 capabilities. This device can be quickly and easily changed between transmitter and receiver with 1-button operation.

The housing is made of a tough, weather resistant aluminum die-cast material with accurate and legible corrosion-resistant laser engraved markings. The rear side of the unit is also fitted with IP65 rated power input and 3-pin XLR input/output data connections.

This unit may be mounted in any safe position provided there is enough room for ventilation. It can be installed as a fixed installation on a wall or other surface using screws, or mounted with a standard clamp using the M10 screw holes found on each foot of the unit.

IP65

2.4Ghz
Wireless DMX®
Transceiver



Main Features

- 2.4Ghz W-DMX® wireless system
- 1- button operation
- Transmitter/Receiver
- Weatherproof, IP65 rated
- Up to 500 meter range
- Ultra-stable FHSS technology



Radio Parameters

Operating band: 2.402
- 2.480GHZ, ISM
Up to 500 meter range
Latency: < 5mS
Receiver sensitivity:
-94dBm
Transmitter power:
100mW



Weight + Dimensions

6.1 x 2.8 x 3.8in (155
x70x95mm)
Antenna length: 205mm
Weight: 2.2 lbs (1 kg)



Control

1- button operation
Protocol: DMX/RDM1
IP65 Seetronic 3-pin
DMX input
IP65 Seetronic 3-pin
DMX output



Power + Current

Voltage: 110V/60Hz
Power: 6W
Power in: IP65 Seetronic
TRU1



Warranty

2-year limited warranty