



LED Beam Moving Head + 2* RGB LED Rings

Unique and powerful, the Hypno™ Beam is an LED beam moving head designed to transfix your audience! It comes loaded with a high-output 60W RGBW LED in the center for stunning 8° moving beam effects. Then, the center LED is surrounded by 2* LED rings that can perform mesmerizing chase effects, single LED chases, full color changes, and strobe!

Hypno™ Beam offers two user-selectable DMX modes (14/23-channels), and an easy-to-use 4-button LED control panel. The power connections are industry standard powerCON® compatible In/Out, and it is also equipped with 3-pin DMX In/Out jacks and a quarter-turn “Omega” quick connect type clamp bracket.

Take your show to the next level with Hypno™ Beam moving head fixtures and put your audience into an Altered State of Light!



Main Features

- 8° beam effects via 60W RGBW 4-in-1 LED
- 2* LED rings with 60pcs RGB 3-in-1 SMD5050 LEDs
- Compact and lightweight
- Independent DMX control of beam and LED ring effects
- Pan: 540/630°, Tilt: 200° (8-16 Bit Resolution)
- Built-in auto/sound active programs
- 0-100% linear LED dimmer
- Pan/tilt invert
- 1-25Hz strobe
- User selectable 14/23-channel DMX modes
- 3-pin DMX In/Out connections
- PowerCON™ compatible AC power In/Out



Optical

Light Source: 1* 60W RGBW 4-in-1 LED +60* RGB 3-in-1 SMD5050 LEDs (rings)

Beam Angle: 8°

Luminous Intensity:
77,372 Lux @ 1M
15,330 Lux @ 2.5M
3,747 Lux @ 5M



Weight + Dimensions

Width: 10.5" (265 mm)
Depth: 6.6" (168 mm)
Height: 11.9" (301 mm)

Weight: 11 lbs. (5 kg)



Control

Protocol: USITT DMX-512

14/23-channel DMX modes

Standalone, M/S, Sound Active, Color Preset

3-pin XLR In/Out connections

4-button LCD control panel



Power + Current

100-240VAC, 50-60 Hz

Power Consumption:
106W, .89A, PF: .98

Fuse: 2A, 250V



Movement

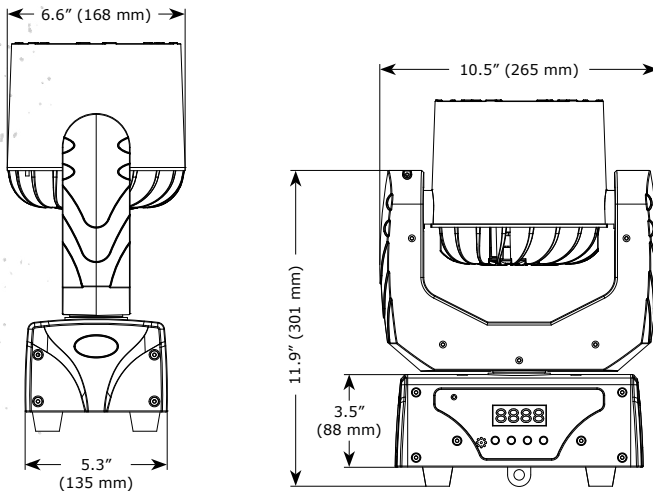
Pan: 540/630° (8-16 bit resolution)

Tilt: 200 degree (8-16 bit resolution)





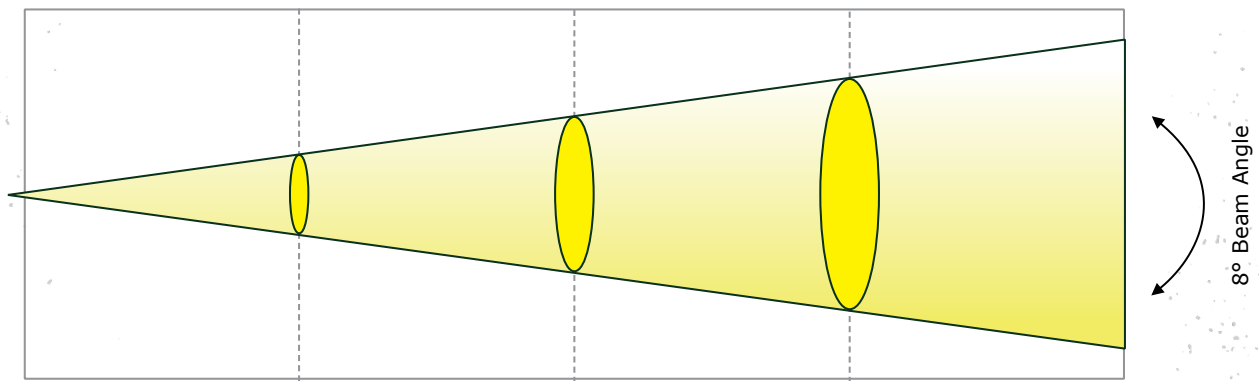
Dimensional Drawings



Light Source:

1* 60-watt RGBW 4-in-1 LED
60* RGB 3-in-1 SMD5050 LEDs (rings)

Photometric Data



Distance: 1m 2.5m 5m
 Diameter: 5.7" (14.4 cm) 14.2" (36 cm) 28.4" (72 cm)

Luminous Intensity:

Beam	1m lux	1m fc	2.5m lux	2.5m fc	5m lux	5m fc
8°	77,372	7,188.1	15,330	1,424.2	3,747	348.1

