

MAXTM
200



 **blizzard**

Blizzard Lighting, LLC
<http://www.blizzardpro.com>
Waukesha, WI USA
Copyright (c) 2019

TABLE OF CONTENTS

G-Max™ 200	1
1. Getting Started	3
What's In The Box?	3
Getting It Out Of The Box	3
Powering Up!	3
Getting A Hold Of Us	3
Safety Instructions (Don't Stick Your Hand In The Toaster!)	4
2. Meet The G-Max™ 200	5
Main Features	5
DMX Quick Reference	5
The G-Max™ 200 Pin-up Picture	6
3. Setup	7
Fuse Replacement	7
Connecting A Bunch Of G-Max™ 200 Fixtures	7
Data/DMX Cables	7
Cable Connectors	8
3-pin??? 5-Pin??? Huh?	8
Take It To The Next Level: Setting up DMX Control	8
Fixture Linking (Master/Slave Mode)	9
Mounting/Rigging	9
Mounting Points	10
Clamp Mounting	11
Securing the Fixture	11
4. Operating Adjustments	12
The Control Panel	12
Control Panel Menu Structure	13
DMX Channel Values In-Depth	15
Gobo Replacement	16
Rotating Gobos	16
Static Gobos	16
5. Appendix	17
Keeping Your G-Max™ 200 As Good As New	18
Returns (Gasp!)	18
Shipping Issues	18
Tech Specs	19
Troubleshooting	18
Dimensional Drawings	19
Photometric Data	19

1. GETTING STARTED

What's In The Box?

- G-Max™ 200 Fixture
- An Ever-So-Handy Power Cord
- 2 x Mounting Brackets
- 1 x DMX Cable
- 1 x Safety Cable
- This Lovely User Manual

Getting It Out Of The Box

Congratulations on purchasing the G-Max™ 200 professional LED moving head fixture! Now that you've got your G-Max™ 200, you should carefully unpack the box and check the contents to ensure that all parts are present and in good condition. If anything looks as if it has been damaged in transit, notify the shipper immediately and keep the packing material for inspection. Again, please save the carton and all packing materials. If a fixture must be returned to the factory, it is important that the fixture be returned in the original factory box and packing.

Powering Up!

All fixtures must be powered directly off a switched circuit and **cannot be run off a rheostat (variable resistor) or dimmer circuit, even if the rheostat or dimmer channel is used solely for a 0% to 100% switch.**

AC Voltage Switch - Not all fixtures have a voltage select switch, so please verify that the fixture you receive is suitable for your local power supply. See the label on the fixture or refer to the fixture's specifications chart for more information. A fixture's listed current rating is its average current draw under normal conditions. Check the fixture or device carefully to make sure that if a voltage selection switch exists that it is set to the correct line voltage you will use.

Warning! Verify that the voltage select switch on your unit matches the line voltage applied. Damage to your fixture may result if the line voltage applied does not match the voltage indicated on the voltage selector switch. All fixtures must be connected to circuits with a suitable Ground (Earthing).

Getting A Hold Of Us

If something happens goes wrong, please visit www.blizzardpro.com/support and open a support ticket. We'll be happy to help, honest.

Disclaimer: The information and specifications contained in this document are subject to change without notice. Blizzard Lighting™ assumes no responsibility or liability for any errors or omissions that may appear in this user manual. Blizzard Lighting™ reserves the right to update the existing document or to create a new document to correct any errors or omissions at any time. You can download the latest version of this document from www.blizzardpro.com.

Author:	Date:	Last Edited:	Date:
J. Thomas	11/5/2019	J. Thomas	11/5/2019

SAFETY INSTRUCTIONS



Please read these instructions carefully. They include important information about the installation, usage and maintenance of this product.

- Please keep this User Guide for future use. If you sell the unit to someone else, be sure that they also receive this User Guide.
- ALWAYS make sure that you are connecting to the proper voltage, and that the line voltage you are connecting to is not higher than that stated on the decal or rear panel of the fixture.
- This product is intended for indoor use only.
- To prevent risk of fire or shock, do not expose fixture to rain or moisture.
- Make sure there are no flammable materials close to the unit while operating.
- The unit must be installed in a location with adequate ventilation, at least 20in (50cm) from adjacent surfaces. Be sure that no ventilation slots are blocked.
- ALWAYS disconnect from the power source before servicing or replacing fuse and be sure to replace with same fuse size and type.
- ALWAYS secure fixture using a safety chain. NEVER carry the fixture by its head. Use its carrying handles.
- DO NOT operate at ambient temperatures higher than 104°F (40°C).
- In the event of a serious operating problem, stop using the unit immediately. NEVER try to repair the unit by yourself. Repairs carried out by unskilled people can lead to damage or malfunction. Please contact the nearest authorized technical assistance center. Always use the same type spare parts.
- NEVER connect the device to a dimmer pack.
- Make sure the power cord is never crimped or damaged.
- Never disconnect the power cord by pulling or tugging on the cord.
- Avoid direct eye exposure to the light source while it is on.

Caution! There are no user serviceable parts inside the unit. Do not open the housing or attempt any repairs yourself. In the unlikely event your unit may require service, please open a support ticket at www.blizzardpro.com/support.

2. MEET THE G-MAX™ 200

MAIN FEATURES

- 200W white LED light engine, 60,000 hours
- Fast and precise zoomable beam angle (13°- 27°)
- 8-16 bit smooth pan and tilt resolution
- Pan/Tilt: 540/230° with 3-phase motors
- 8 colors + open color wheel
- 7 metal gobos + open
- 7 rotating, indexable and replaceable gobos + open
- Smooth dimmer from 0 - 100%
- 6 linear + 8-facet prisms with variable speed and direction
- Motorized linear iris, focus, and frost
- Linear electronic focus
- Dual omega brackets with 1/4-turn fasteners

CONTROL:

- Protocols: DMX-512
- DMX channels: 16/19-channel modes
- Easy-to-use 5-button control panel with LCD color display
- Operating modes: DMX512, master/slave, auto mode

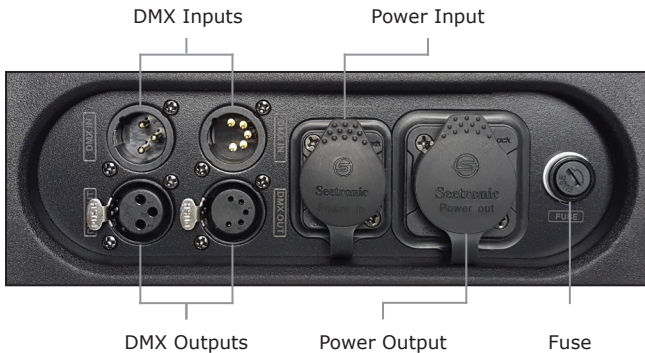
DMX Quick Reference (16/19-Channel Modes)

16CH	19CH	What It Does
1	1	Pan
--	2	Fine Pan (16-bit)
2	3	Tilt
--	4	Fine Tilt (16-bit)
--	5	Pan/Tilt Speed (fast <-> slow)
3	6	Dimmer (0% <-> 100%)
4	7	Strobe
5	8	Color Wheel
6	9	Gobo Wheel #1 (Static)
7	10	Gobo Wheel #2 (Rotating)
8	11	Gobo Rotation
9	12	Iris
10	13	Frost
11	14	Prism Select
12	15	Prism 1 Rotation
13	16	Prism 2 Rotation
14	17	Zoom (narrow <-> wide)
15	18	Focus
16	19	Reset Fixture

Figure 1: The G-Max™ 200 Pin-Up Picture



Figure 2: The Rear Connections



3. SETUP



Before replacing the fuse, disconnect the power cord.
ALWAYS replace it with the same type and rating.

Fuse Replacement

Remove the fuse holder from of its housing. Then take out the damaged fuse from its holder and replace with exact same type of fuse. Reattach the fuse holder, and then reconnect power.

Connecting A Bunch of G-Max™ 200 Fixtures

You will need a serial data link to run light shows using a DMX-512 controller or to run shows on two or more fixtures set to sync in master/slave operating mode. The combined number of channels required by all the fixtures on a serial data link determines the number of fixtures the data link can support.

Fixtures on a serial data link must be daisy chained in one single line. Also, connecting more than 32 fixtures on one serial data link without the use of a DMX optically-isolated splitter may result in deterioration of the digital DMX signal. The maximum recommended cable-run distance is 500 meters (1640 ft). The maximum recommended number of fixtures on a serial data link is 32 fixtures.

Data/DMX Cabling

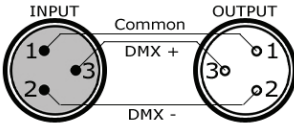
To link fixtures together you'll need data cables. You should use data-grade cables that can carry a high quality signal and are less prone to electromagnetic interference.

For instance, Belden© 9841 meets the specifications for EIA RS-485 applications. Standard microphone cables will "probably" be OK, but note that they cannot transmit DMX data as reliably over long distances. In any event, the cable should have the following characteristics:

2-conductor twisted pair plus a shield
Maximum capacitance between conductors – 30 pF/ft.
Maximum capacitance between conductor & shield – 55 pF/ft.
Maximum resistance of 20 ohms / 1000 ft.
Nominal impedance 100 – 140 ohms

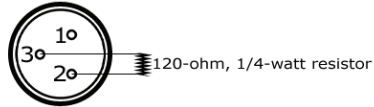
Cable Connectors

Cables must have a male XLR connector on one end and a female XLR connector on the other end. (Duh!)



A Word on Termination: DMX is a resilient communication protocol, however errors still occasionally occur. Termination reduces signal errors, and therefore best practices include use of a terminator in all circumstances. If you are experiencing problems with erratic fixture behavior, especially over long signal cable runs, a terminator may help improve performance.

To build your own DMX Terminator:
Obtain a 120-ohm, 1/4-watt resistor, and wire it between pins 2 & 3 of the last fixture. They are also readily available from specialty retailers.



CAUTION: Do not allow contact between the common and the fixture's chassis ground. Grounding the common can cause a ground loop, and your fixture may perform erratically. Test cables with an ohm meter to verify correct polarity and to make sure the pins are not grounded or shorted to the shield or each other.

3-pin??? 5-Pin??? Huh?!

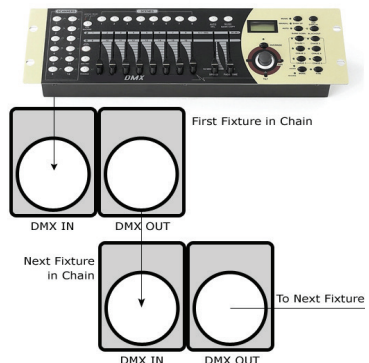
This fixture is equipped with both 3-pin and 5-pin XLR sockets for DMX input and output. The sockets are wired in parallel. Only use a shielded twisted pair cable designed for RS-485 and 3-pin or 5-pin XLR plugs and connectors in order to connect the controller with the fixture or the fixture with another.

Conductor	3-Pin Input/Output	5-Pin Input/Output
Ground/Shield	Pin 1	Pin 1
Data 1- (Primary Data Link)	Pin 2	Pin 2
Data 1+ (Primary Data Link)	Pin 3	Pin 3
Data 2- (Optional Secondary Data Link)	Pin 4 - N/A	Pin 4 - Not Connected
Data 2+ (Optional Secondary Data Link)	Pin 5 - N/A	Pin 5 - Not Connected

Take It To The Next Level: Setting Up DMX Control

Step 1: Connect the male connector of the DMX cable to the female connector (output) on the controller.

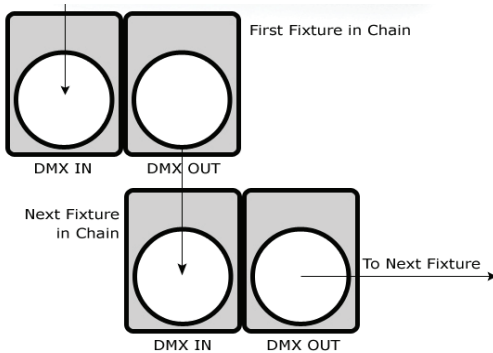
Step 2: Connect the female connector of the DMX cable to the first fixture's male connector (input). *Note:* It doesn't matter which fixture address is the first one connected. We recommend connecting the fixtures in terms of their proximity to the controller, rather than connecting the lowest fixture number first, and so on.



Step 3: Connect other fixtures in the chain from output to input as above. Place a DMX terminator on the output of the final fixture to ensure best communication.

Fixture Linking (Master/Slave Mode)

1. Connect the (male) 3/5-pin connector side of the DMX cable to the output (female) 3/5-pin connector of the first fixture.
2. Connect the end of the cable coming from the first fixture which will have a (female) 3/5-pin connector to the input connector of the next fixture consisting of a (male) 3/5-pin connector. Then, proceed to connect from the output as stated above to the input of the following fixture and so on.



A quick note: Often, the setup for Master-Slave and Standalone operation requires that the first fixture in the chain be initialized for this purpose via either settings in the control panel or DIP-switches. Secondly, the fixtures that follow may also require a slave setting.

Check the **"Operating Adjustments"** section in this manual for complete instructions for this type of setup and configuration.

Mounting & Rigging

This fixture may be mounted in any SAFE position provided there is enough room for ventilation.

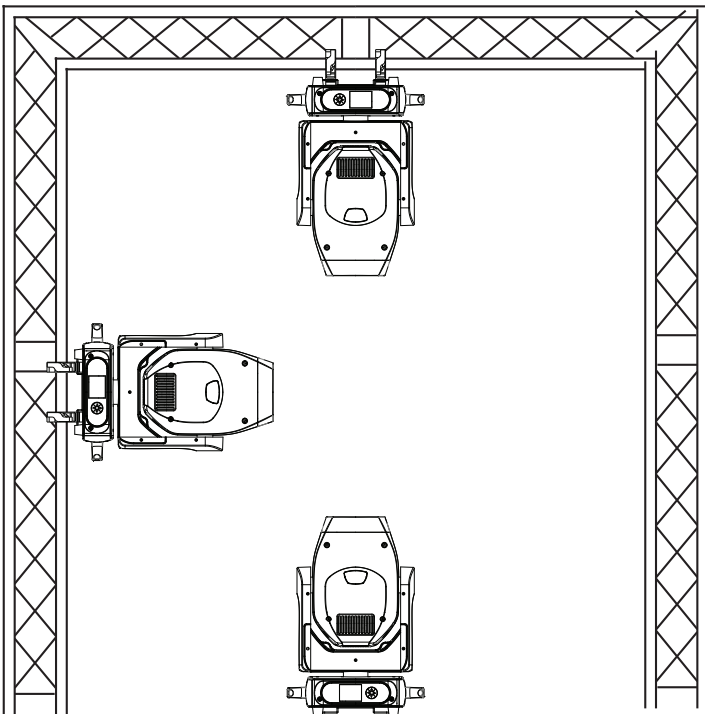
It is important never to obstruct the fan or vents pathway. Mount the fixture using a suitable "C" or "O" type clamp. The clamp should be rated to hold at least 10x the fixture's weight to ensure structural stability. Do not mount to surfaces with unknown strength, and ensure properly "rated" rigging is used when mounting fixtures overhead.

Adjust the angle of the fixture by loosening both knobs and tilting the fixture. After finding the desired position, retighten both knobs.

- When selecting installation location, take into consideration lamp replacement access (if applicable) and routine maintenance.
- Safety cables **MUST ALWAYS** be used.
- Never mount in places where the fixture will be exposed to rain, high humidity, extreme temperature changes or restricted ventilation.

Mounting Points

Overhead mounting requires extensive experience, which includes calculating working load limits, knowledge of the installation material being used, and periodic safety inspection of all installation material and the fixture. If you lack these qualifications, do not attempt the installation yourself. Improper installation can result in bodily injury.



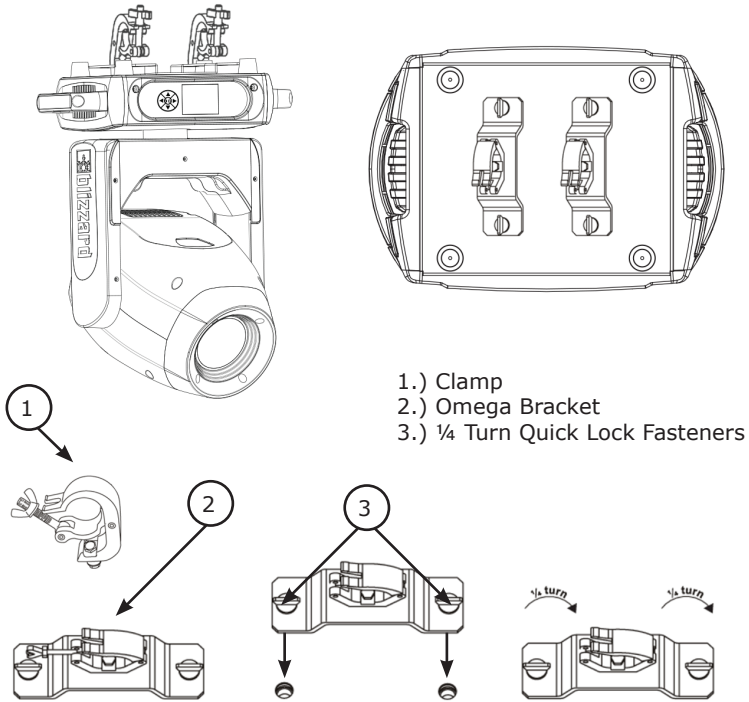
Caution!

Please be aware, you should have a qualified electrician performing all of your electrical connection needs.

Be sure to complete all rigging and installation procedures before connecting the main power cord to the appropriate wall outlet.

Clamp Mounting

This fixture provides a mounting bracket assembly that secures the bottom of the base, omega brackets, and the safety cable rigging point together. When mounting this fixture to truss, be sure to secure appropriately rated clamps to the brackets, fitted through the center bracket holes.



Securing the Fixture

Regardless of the rigging option you choose for your fixtures always be sure to secure your fixture with a safety cable. Be sure to only use the designated rigging point found on the underside of the base assembly for the safety cable.

4. OPERATING ADJUSTMENTS

The Control Panel

All the goodies and different modes possible with the G-Max™ 200 are accessed by using the control panel on the front of the fixture. There are 5 control buttons next to the LCD display which allow you to navigate through the various control panel menus.

<RIGHT>

Is used to navigate to a higher-level menu item.

<UP>

Scrolls through menu items and numbers in ascending order.

<DOWN>

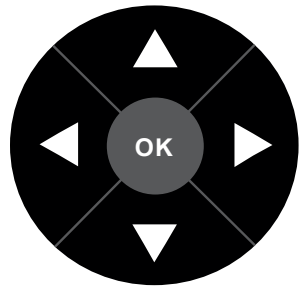
Scrolls through menu items and numbers in descending order.

<OK>

Is used to save any changes made to a menu setting.

<LEFT>

To return to the previous option or menu without changing the value.



Access control panel functions using the five panel buttons located directly to the right of the LCD display.

The control panel LCD display shows the menu items you select from the menu map on page #13. When a menu function is selected, the display will show immediately the first available option for the selected menu function. To select a menu item, press **<ENTER>**.

Use the **<UP>**, **<DOWN>**, and **<RIGHT>** buttons to navigate the menu map and menu options. Press the **<OK>** button to enable a menu option. To return to the previous option or menu without changing the value, press the **<LEFT>** button.

Control Panel Menu Structure

Address	001-512	Set the starting address from 001-512		
Display <i>Customize the display features.</i>	Direction	Invert	Rotate display by 180°	
		Normal	Normal	
	Light	01 MIN	Display turns off after 1m of inactivity	
		05 MIN	Display turns off after 5m of inactivity	
		08 MIN	Display turns off after 8m of inactivity	
		On	Display is always on	
	Menu Ret	01 MIN	Return to main screen after 1m	
		05 MIN	Return to main screen after 5m	
		08 MIN	Return to main screen after 8m	
		Off	Menu return is off	
	Flashing	Off	Off	
On		Menu will blink without a DMX signal		
Return	<OK>	Return to Main Menu		
Feature <i>Customize the operating features.</i>	PT Setup	Invert P	Off	
			On (pan invert)	
		Invert T	Off	
			On (tilt invert)	
		SenCheck	Off	
	On (automatic pan/tilt correction)			
	Return	Return to Main Menu		
	Shortcut	Off	Shortcuts off	
		Open	Use shortest distance to colors/gobos	
	Mode	Basic	16-channel DMX Mode	
		Standard	19-channel DMX Mode	
	DMX (receive mode)	Auto	N/A (not applicable)	
		DMX	Signal received via DMX	
	Run Mode	Auto	Run built-in programs	
		Slave	Set unit as a slave fixture	
		Off	Off	
	Sigclear (N/A)	No	Off	
		Yes	N/A (not applicable)	
	DMX Reset	No	Off	
Yes		Enables reset via DMX control channel		
Return	<OK>	Return to Main Menu		
Info <i>View fixture status information.</i>	PWR On	0000-9999	Shows total hours powered on	
	Lamp On	0000-9999	Shows lamp total hours	
	Lamp Temp	xxx °C	Lamp temperature (celsius)	
	Version	HM02	Operating software version	
	Return	<OK>	Return to Main Menu	
Control	Channel --	000-255	Individual control of each channel	
	Return	<OK>	Return to Main Menu	
Service <i>To enable the "Offset", change the calibration value to 001.</i>	Factory	N/A	Not applicable	
	Defaults	N/A	Not applicable	
	Offset	000-255	Adjust home position of channel functions	
	Built-in	N/A	Not applicable	
	Checksum	000-255	Calibration (01-10)	
	Return	<OK>	Return to Main Menu	
View DMX	Channel --	000-255	View current DMX channel values	
	Return	<OK>	Return to Main Menu	
Reset		<OK>	Reset fixture	

DMX Values In-Depth (16/19-Channel Modes)

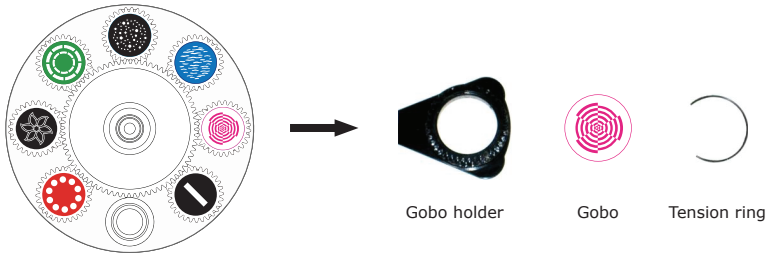
16CH Basic	19CH Standard	Value	What It Does
1	1	000 <-> 255	Pan (0-540°)
--	2	000 <-> 255	Fine Pan (16-bit)
2	3	000 <-> 255	Tilt (0-230°)
--	4	000 <-> 255	Fine Tilt (16-bit)
--	5	000 <-> 255	Pan/Tilt Speed (fast <-> slow)
3	6	000 <-> 255	Dimmer
4	7	000 <-> 002 003 <-> 103 104 <-> 107 208 <-> 212 213 <-> 238 239 <-> 251 252 <-> 255	Strobe Open Strobe Open Pulse Strobe 1 (slow <-> fast) Random Strobe 1 Pulse Strobe 2 (slow <-> fast) Random Strobe 2 (slow <-> fast)
5	8	000 <-> 003 004 <-> 127 128 <-> 128 129 <-> 131 132 <-> 135 136 <-> 138 139 <-> 142 143 <-> 146 147 <-> 150 151 <-> 154 155 <-> 158 159 <-> 207 208 <-> 255	Color Wheel Open Index Rotation (0-360°) Open 3200K CTO Red Orange Yellow Green Teal Magenta Blue Forward Spin (fast <-> slow) Backwards Spin (slow <-> fast)
6	9	000 <-> 007 008 <-> 015 016 <-> 023 024 <-> 031 032 <-> 039 040 <-> 047 048 <-> 055 056 <-> 063 064 <-> 070 071 <-> 077 078 <-> 084 085 <-> 091 092 <-> 099 100 <-> 107 108 <-> 114 115 <-> 185 186 <-> 255	Gobo Wheel #1 (Static) Open Gobo 1 - Plus Gobo 2 - 4 Dots Gobo 3 - 3 Dots (linear) Gobo 4 - Rounded Dash Gobo 5 - Abstract Shape Gobo 6 - Louvered Lines Gobo 7 - Lace Diamond Gobo 7 Shake - Lace Diamond Gobo 6 Shake - Louvered Lines Gobo 5 Shake - Abstract Shape Gobo 4 Shake - Rounded Dash Gobo 3 Shake - 3 Dots (linear) Gobo 2 Shake - 4 Dots Gobo 1 Shake - Plus Wheel Spin Forward (fast <-> slow) Wheel Spin Reverse (slow <-> fast)

DMX Values In-Depth (16/19-Channel Modes)

16CH Basic	19CH Standard	Value	What It Does
7	10	000 <-> 007 008 <-> 015 016 <-> 023 024 <-> 031 032 <-> 039 040 <-> 047 048 <-> 055 056 <-> 063 064 <-> 070 071 <-> 077 078 <-> 084 085 <-> 091 092 <-> 099 100 <-> 107 108 <-> 114 115 <-> 185 186 <-> 255	Gobo Wheel #2 (Rotating) Open Gobo 1 - Red Gatling Gun Gobo 2 - Flower Gobo 3 - Green Dashed Wheels Gobo 4 - Dots Gobo 5 - Blue Waves Gobo 6 - Offset Magenta Circles Gobo 7 - Dash Gobo 7 Shake - Dash Gobo 6 Shake - Offset Magenta Circles Gobo 5 Shake - Blue Waves Gobo 4 Shake - Dots Gobo 3 Shake - Green Dashed Wheels Gobo 2 Shake - Flower Gobo 1 Shake - Red Gatling Gun Wheel Spin Forward (fast <-> slow) Wheel Spin Reverse (slow <-> fast)
8	11	000 <-> 127 128 <-> 187 188 <-> 194 195 <-> 255	Gobo Rotation Gobo Index Forward Rotate (fast <-> slow) Stop Backward Rotate (slow <-> fast)
9	12	005 <-> 128 129 <-> 212 213 <-> 255	Iris Open <-> Close Open/Close (slow <-> fast) Pulse Closed (slow <-> fast)
10	13	000 <-> 127 128 <-> 255	Frost No Function Frost
11	14	000 <-> 010 011 <-> 128 129 <-> 255	Prism Select No Function Prism 1 (8-facet circular) Prism 2 (6-facet linear)
12	15	000 <-> 128 129 <-> 187 188 <-> 195 196 <-> 255	Prism 1 Rotation Index Backward Rotate (slow <-> fast) Stop Forward Rotate (fast <-> slow)
13	16	000 <-> 128 129 <-> 187 188 <-> 195 196 <-> 255	Prism 2 Rotation Index Backward Rotate (slow <-> fast) Stop Forward Rotate (fast <-> slow)
14	17	000 <-> 255	Zoom (narrow <-> wide)
15	18	000 <-> 255	Focus
16	19	000 <-> 127 128 <-> 255	Reset (can be enabled or disabled in menu) No Function Reset

Gobo Replacement

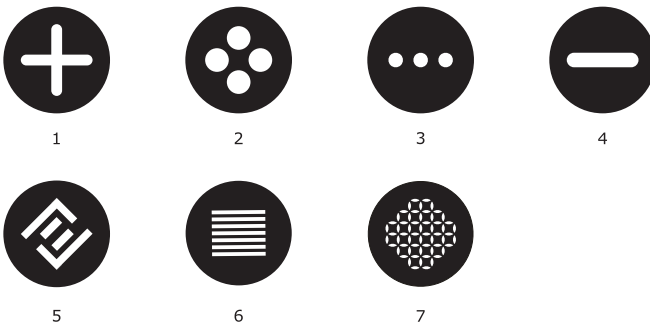
- 1) Remove the gobo cover by removing the four screws on the top of the fixture head.
- 2) Remove the slot-n-lock gobo from the gobo wheel by lifting up slightly and sliding it out.
- 3) Using a small tool, pry the tension ring from the gobo holder.
- 4) Remove the old gobo, insert the new gobo, and replace in the reverse steps of removal.



Rotating Gobos



Static Gobos



5. APPENDIX

Keeping Your G-Max™ 200 As Good As New

The fixture you've received is a rugged, tough piece of pro lighting equipment, and as long as you take care of it, it will take care of you. That said, like anything, you'll need to take care of it if you want it to operate as designed. You should absolutely keep the fixture clean, especially if you are using it in an environment with a lot of dust, fog, haze, wild animals, wild teenagers or spilled drinks.

Cleaning the optics routinely with a suitable glass cleaner will greatly improve the quality of light output. Keeping the fans free of dust and debris will keep the fixture running cool and prevent damage from overheating.

In transit, keep the fixtures in cases. You wouldn't throw a prized guitar, drumset, or other piece of expensive gear into a gear trailer without a case, and similarly, you shouldn't even think about doing it with your shiny new light fixtures.

Common sense and taking care of your fixtures will be the single biggest thing you can do to keep them running at peak performance and let you worry about designing a great light show, putting on a great concert, or maximizing your client's satisfaction and "wow factor." That's what it's all about, after all!

Returns (Gasp!)

We've taken a lot of precautions to make sure you never even have to worry about sending a defective unit back, or sending a unit in for service. But, like any complex piece of equipment designed and built by humans, once in a while, something doesn't go as planned. If you find yourself with a fixture that isn't behaving like a good little fixture should, you'll need to obtain a Return Authorization (RA).

Don't worry, this is easy. Just go to our website and open a support ticket at www.blizzardpro.com/support, and we'll issue you an RA. Then, you'll need to send the unit to us using a trackable, pre-paid freight method. We suggest using USPS Priority or UPS. Make sure you carefully pack the fixture for transit, and whenever possible, use the original box & packing for shipping.

When returning your fixture for service, be sure to include the following:

- 1.) Your contact information (Name, Address, Phone Number, Email address).
- 2.) The RA# issued to you
- 3.) A brief description of the problem/symptoms.

We will, at our discretion, repair or replace the fixture. Please remember that any shipping damage which occurs in transit to us is the customer's responsibility, so pack it well!

Shipping Issues

Damage incurred in shipping is the responsibility of the shipper, and must be reported to the carrier immediately upon receipt of the items. Claims must be made within seven (7) days of receipt.

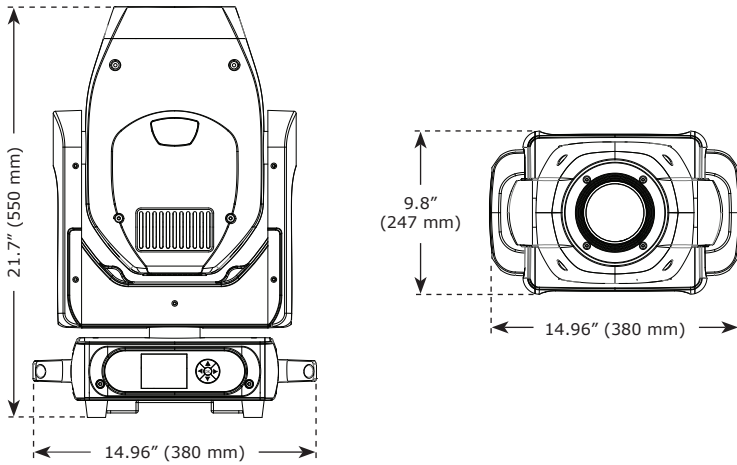
Tech Specs!

Weight & Dimensions	
Width	14.96 inches (380 mm)
Depth	9.8 inches (247 mm)
Height	21.7 inches (550 mm)
Weight	48.5 Lbs. (22kg)
Power	
Operating Voltage	90-250V, 50/60Hz
Power Consumption	283W, 2.49A, PF: .99
Fuse	5A, 250V
Light Source	
LED	200W white LED light engine, 60,000 hours
Color Temperature	6500K
Optical	
Beam Angle	13°- 27° beam angle
Gobo Size	22.9mm outer, 18mm inner, 2mm max thickness
Thermal	
Max. Operating Temp.	104 degrees F (40 degrees C) ambient
Movement Range	
Pan	540 degree (8-16 bit resolution)
Tilt	230 degree (8-16 bit resolution)
Control	
Protocol	USITT DMX-512
DMX Channels	16/19-channel DMX Modes
Data	3/5-pin XLR In/Out
Other Operating Modes	Standalone, Master/Slave, Auto Mode
Warranty	
2-year limited warranty, does not cover malfunction caused by damage to LEDs. Visit www.blizzardpro.com/warranty .	

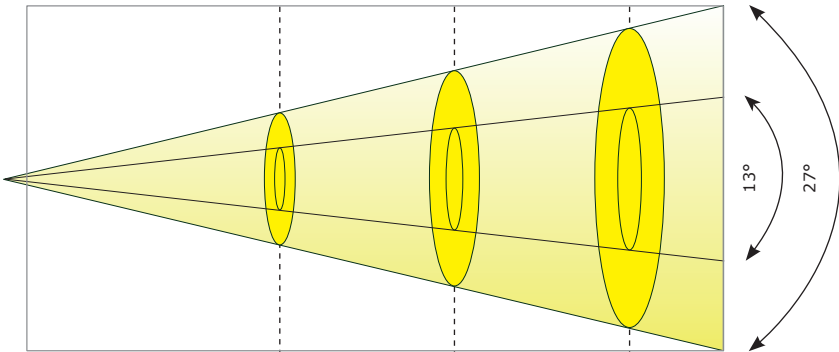
Troubleshooting

Symptom	Solution
Fixture Auto-Shut Off	Check the fan in the fixture. If it is stopped or moving slower than normal, the unit may have shut itself off due to high heat. This is to protect the fixture from overheating. Clear the fan of obstructions, or return the unit for service.
Beam is Dim	Check optical system and clean excess dust/grime.
No Power	Check fuse, AC cord and circuit for malfunction.
Blown Fuse	Check AC cord and circuit for damage, verify that moving parts are not restricted and that unit's ventilation is not obstructed
Slow Movement	Check that speed channels are set appropriately.
Fixture Not Responding / Responding Erratically	Make sure all connectors are seated properly and securely. Use Only DMX Cables. Install a Terminator. Check all cables for defects. Reset fixture(s).

Dimensional Drawings



Photometric Data



Distance:	3m	5m	10m
13° beam diameter	2.31' (70.2 cm)	3.84' (117 cm)	7.68' (234 cm)
27° beam diameter	4.79' (145.8 cm)	7.98' (243 cm)	15.95' (486 cm)

Luminous Intensity:

Beam	2.5m lux	2.5m fc	5m lux	5m fc	7.5m lux	7.5m fc	10m lux	10m fc
13°	38,405	3,567.9	9,937	923.2	4,668	433.7	2,746	255.1
27°	13,058	1,213.2	3,241	301.1	1,543	143.4	916	85.1



**Enjoy your product!
Our sincerest thanks for your purchase!
--The team @ Blizzard Lighting**