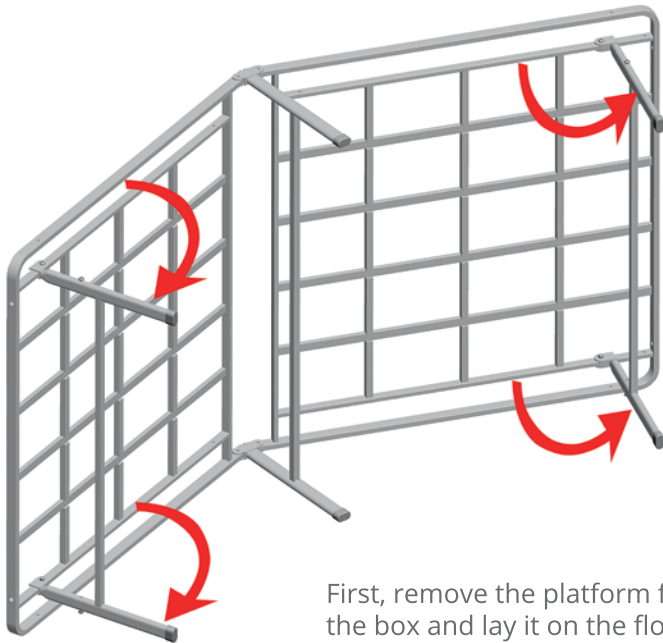




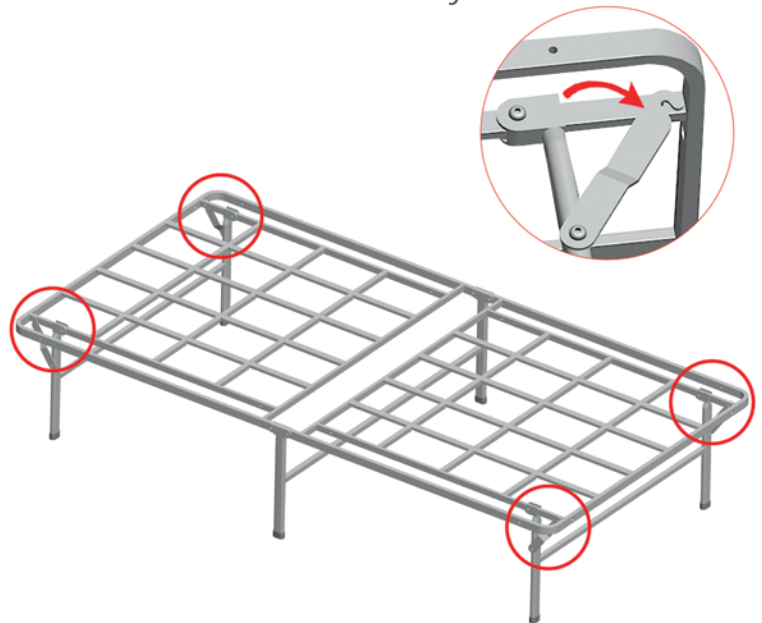
# Platform Base SETUP INSTRUCTIONS



First, remove the platform from the box and lay it on the floor.

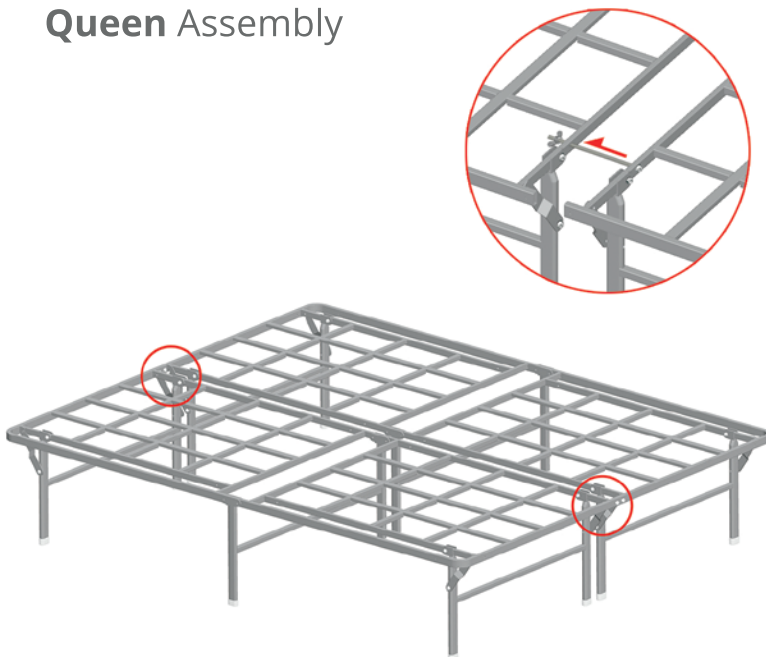
**Step 1** Unfold the bed frame and extend the legs until straight.

## Twin/Twin-XL Assembly



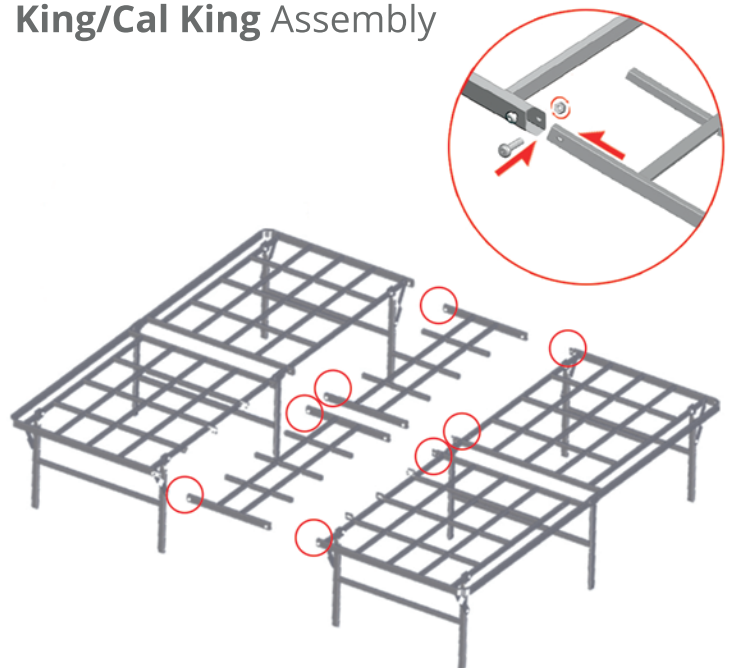
**Step 2** Rotate the four support arms to hook on the bolts at each of the four corners as pictured.

## Queen Assembly



**Step 3** Queen Platforms: Join both frames together with the screws as shown.  
King/Cal-King Platforms: Join both frames and center support section together with screws.

## King/Cal King Assembly

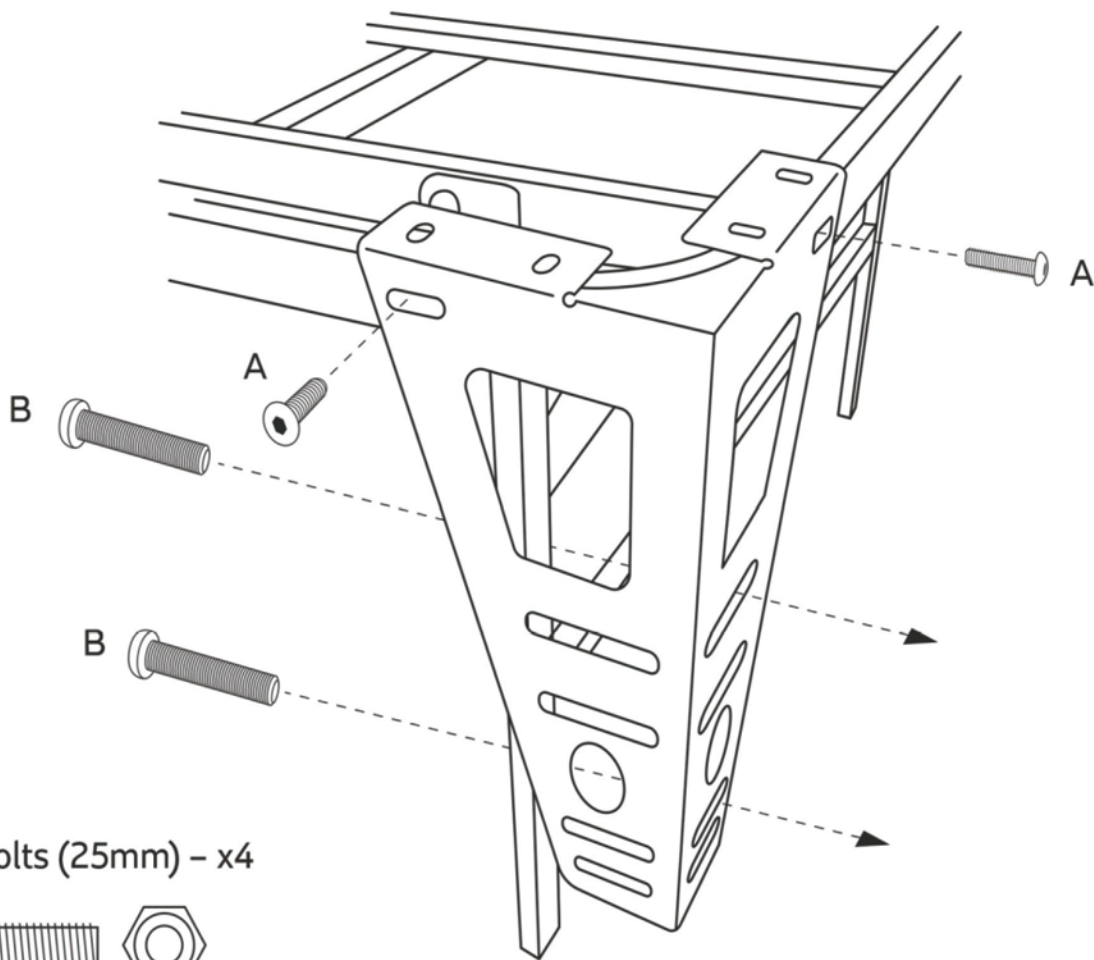


Follow the set-up instructions in reverse to disassemble your bed frame.  
If you have any problems please contact our support team - [support@Puffy.com](mailto:support@Puffy.com)

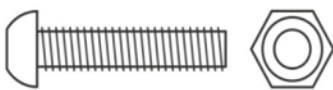


# Headboard Bracket SETUP INSTRUCTIONS

(Optional installation)



(A) 1" bolts (25mm) - x4



(B) 2" bolts (50mm) - x4



## Optional

Attach the brackets to the platform with the 1" (A) bolts and lock nuts. Then attach your headboard to the bracket using the 2" (B) bolts, washer, and nuts.

Follow the set-up instructions in reverse to disassemble your bed frame.  
If you have any problems please contact our support team - [support@Puffy.com](mailto:support@Puffy.com)