



Puffy Serenity Adjustable Base Manual



[Puffy.com](https://www.puffy.com)

Table of Contents

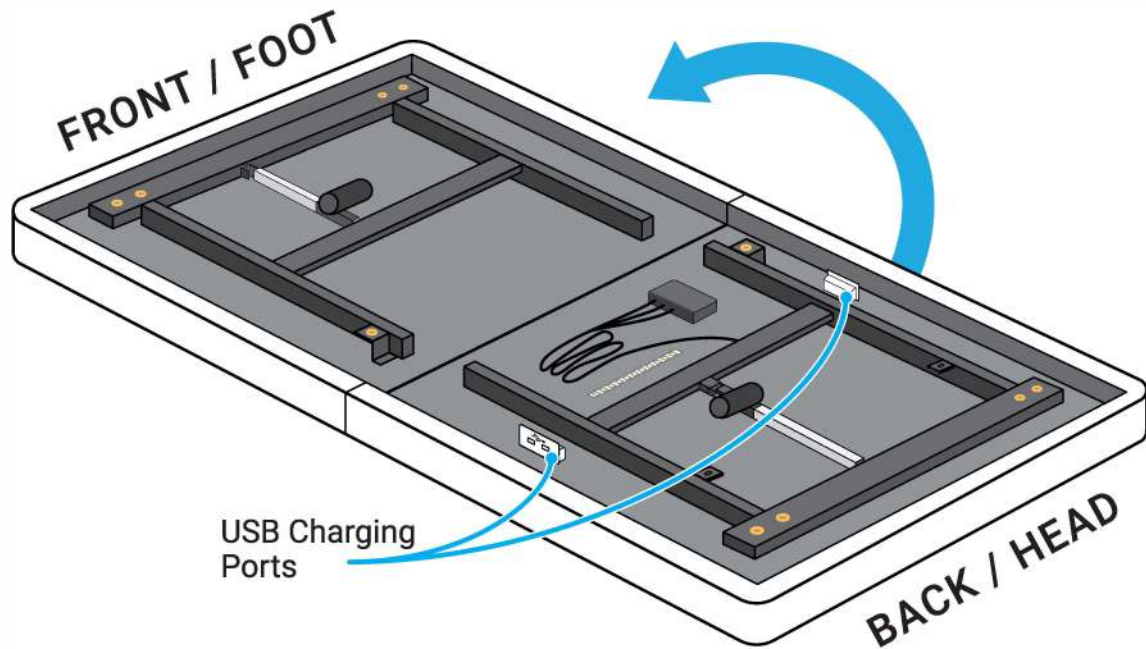
| | |
|--|------------|
| 1. Unpacking Your Adjustable Base | pg 2 - 3 |
| 2. Adjusting Your Leg Height | pg 4 |
| 3. Attaching the Legs to the Base | pg 5 |
| 4. Connecting the Cables | pg 6 - 7 |
| 5. Pair the Remote Control | pg 8 |
| 6. Insert the Mattress Bar | pg 9 |
| 7. The Remote Control | pg 10 |
| 8. Universal Headboard Bracket Install | pg 11 - 12 |
| 9. Troubleshooting Guide | pg 13 |

Safety Precautions

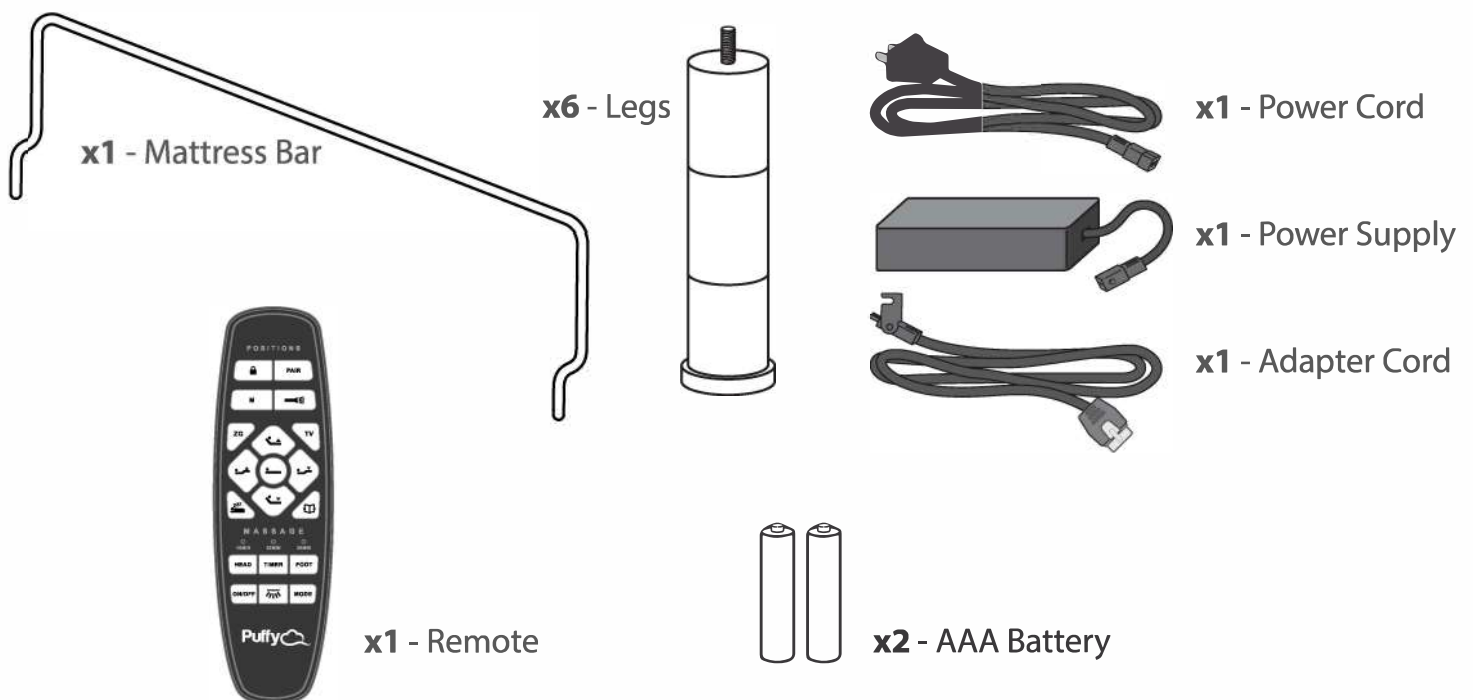
- **DO NOT ALLOW CHILDREN OR PETS UNDERNEATH THE BED.**
- Always unplug the product before attaching or detaching any parts or cleaning it.
- Do not let children play with or operate this product.
- Use this product only for its intended purpose.
- Close supervision is necessary when this product is used by or near children or handicapped individuals.
- Never operate this product if it has a damaged cord, plug, or not working properly.
- Keep the product, remote control, wires, and power supply away from heat.
- Do not use this product in a humid environment. The connectors of the wire cannot be exposed to liquid or high humidity.
- Consult your physician if you have any questions regarding the use of this product.

1. Unpacking Your Adjustable Base

1. Unfold the Puffy Serenity Adjustable Base and lay it out on its back as shown.



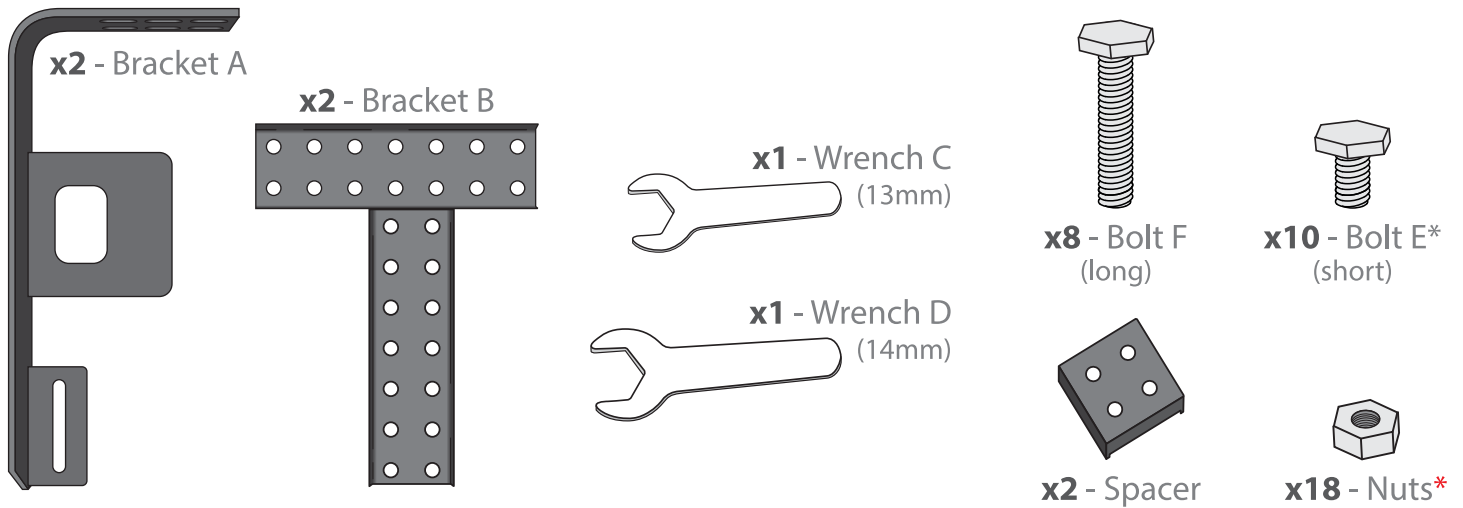
2. Open the carton boxes and unpack the essentials.



1. Unpacking Your Adjustable Base (continued)

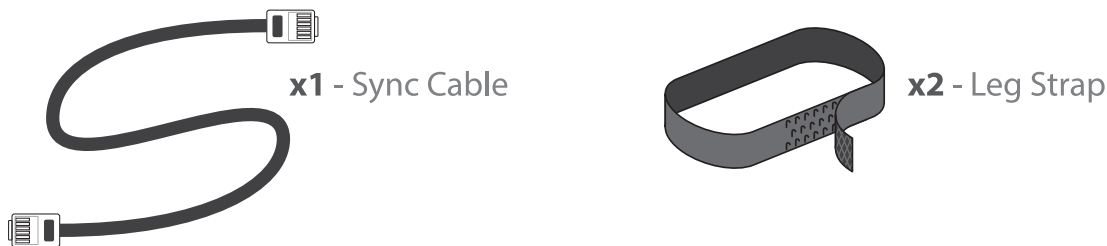
3. Unpack optional accessories.

Universal Headboard Attachment Brackets

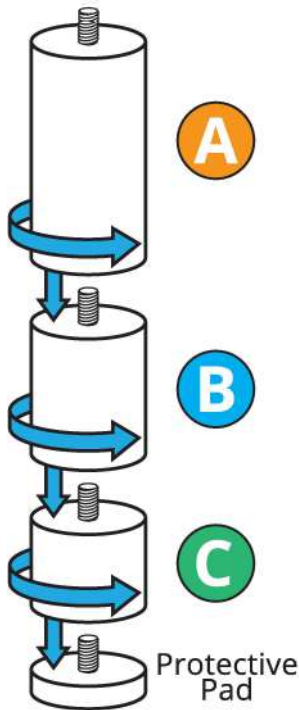


*Extra nuts and short bolts (Bolt E) included as optional hardware for mounting headboards to our Universal Headboard Bracket. Most third party headboards include their own mounting hardware.

Split King Adjustable Base Accessories



2. Adjusting Your Leg Height



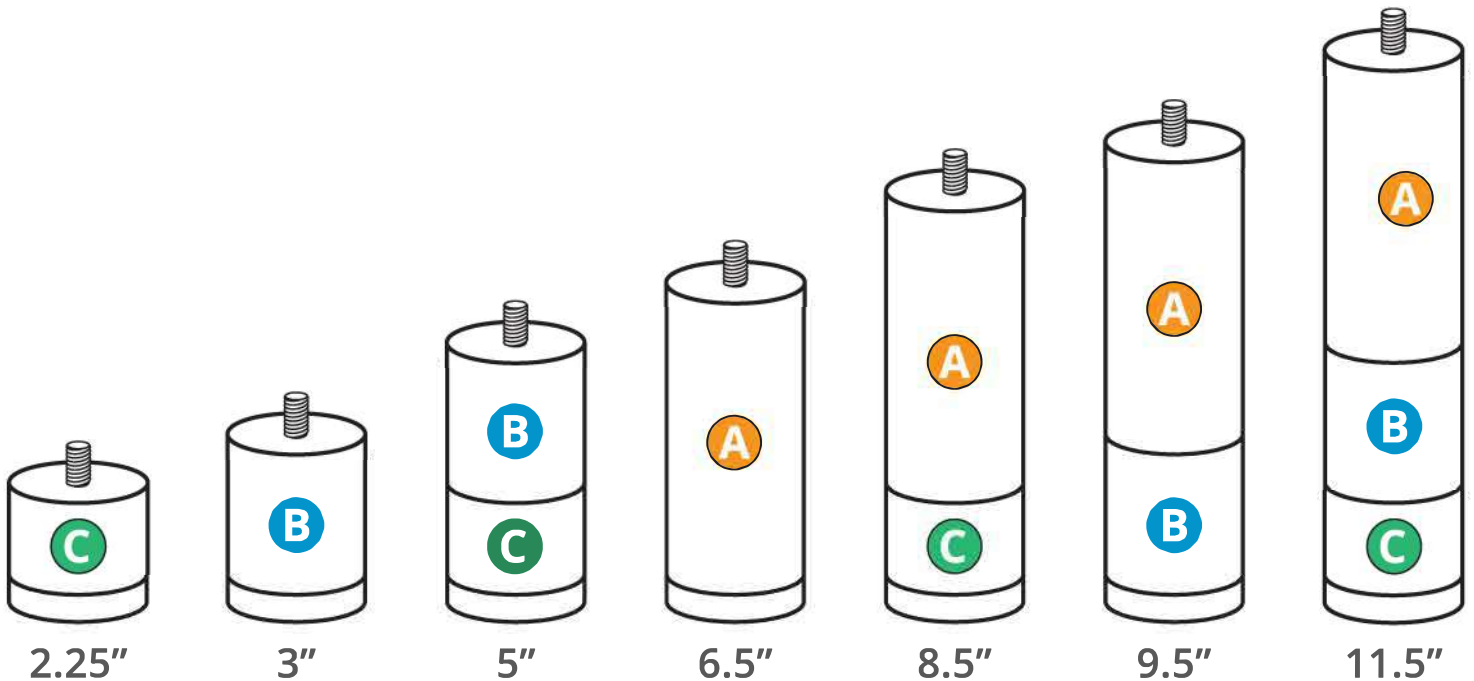
The Puffy Serenity Adjustable Base can be set down completely flat without the legs, or can stand at 7 different heights* to fit most bed frames and/or provide adequate clearance space for storage.

Each leg comes with an easily detachable Protective Pad to protect your flooring from scratches.

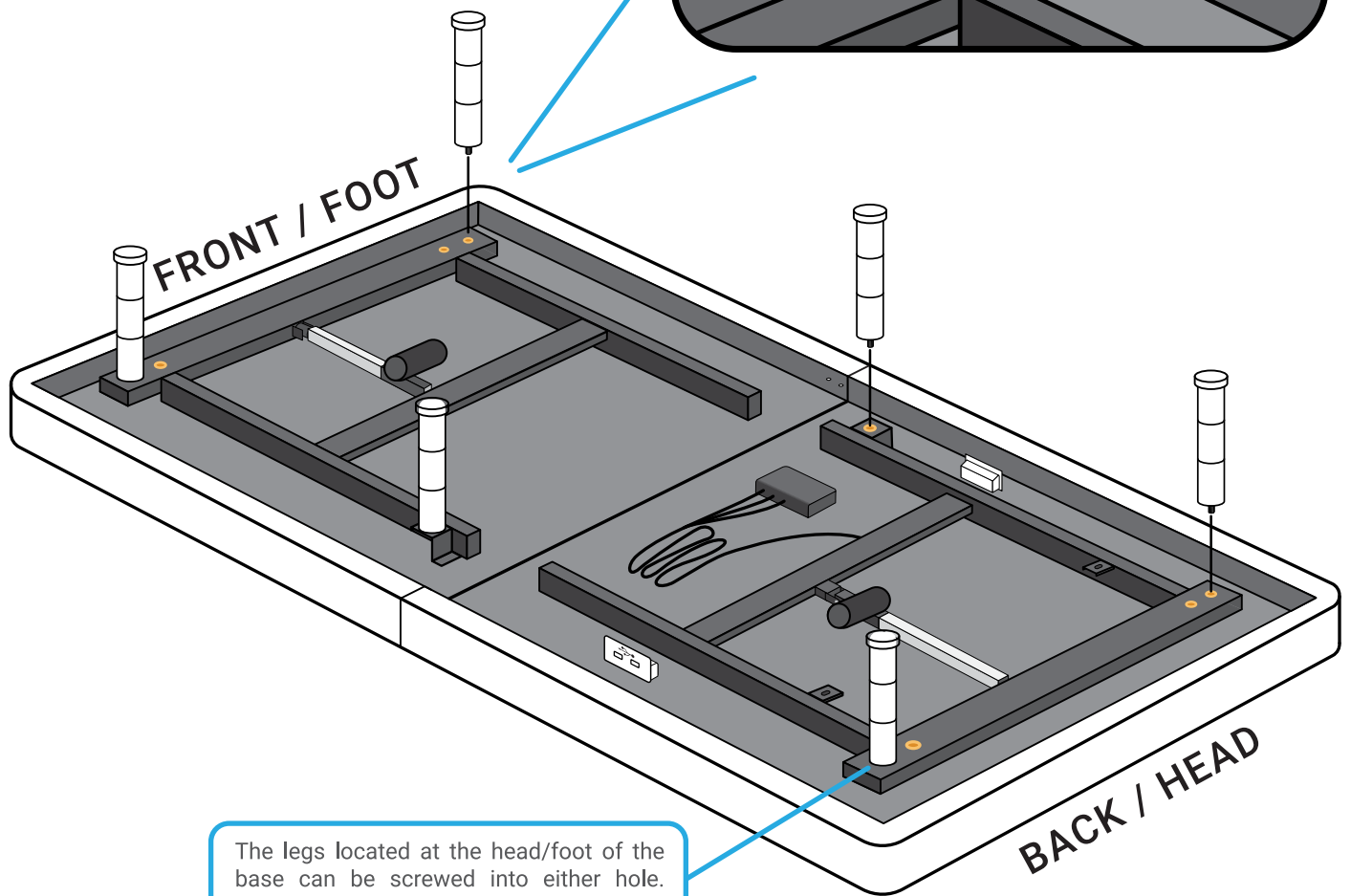
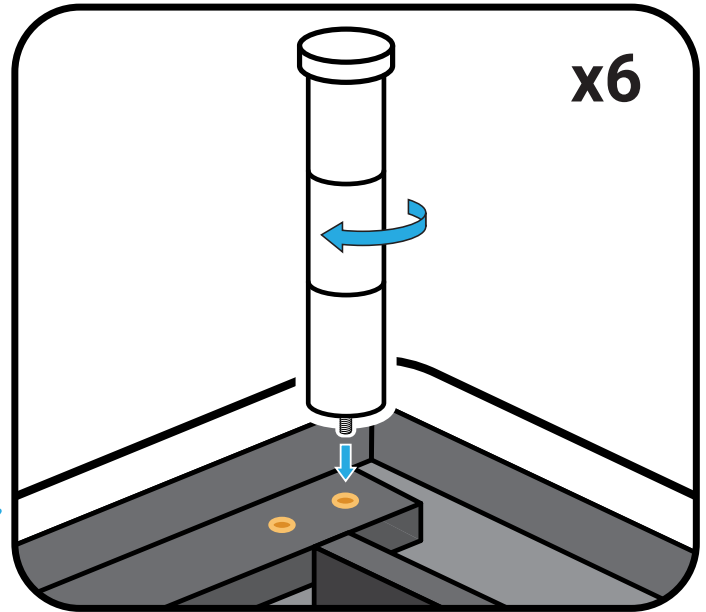
At full height the top of the Puffy Serenity Adjustable Base is 15" tall with 11.5" of storage space underneath.

*When using our Universal Headboard Attachment Brackets (optional), you must use leg combinations that are 5" and taller - legs "B" and "C" do not provide enough clearance on their own for the bracket.

Use the combinations below to achieve your leg height of choice.

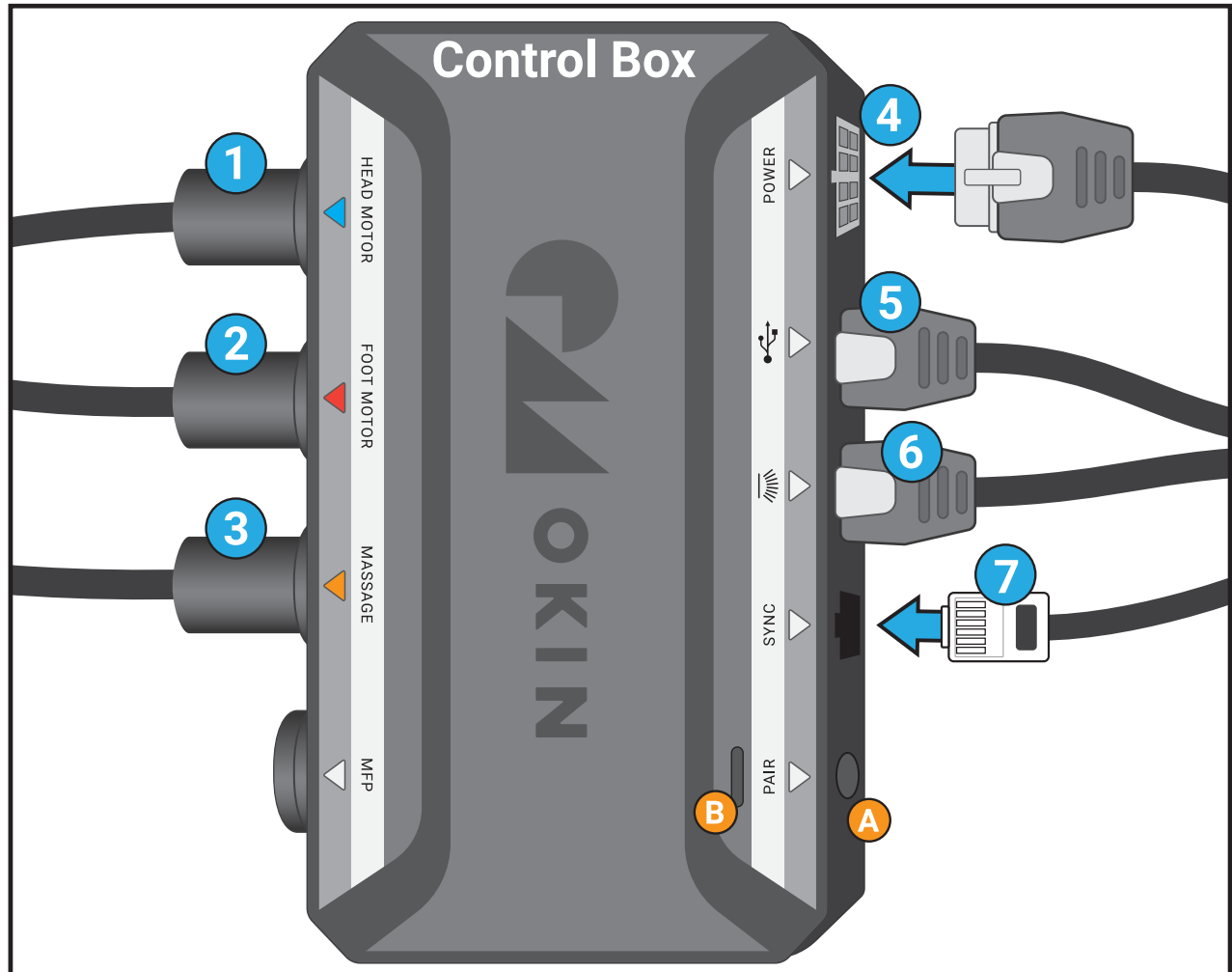


3. Attaching the Legs to the Base



The legs located at the head/foot of the base can be screwed into either hole. However, if you are using the optional Universal Headboard Bracket, please see pages 10 - 11 for proper installation.

4. Connecting the Cables



All cables come connected to the **Control Box**, except for the **POWER** and **SYNC** cable. If any are loose or disconnected, follow this guide.

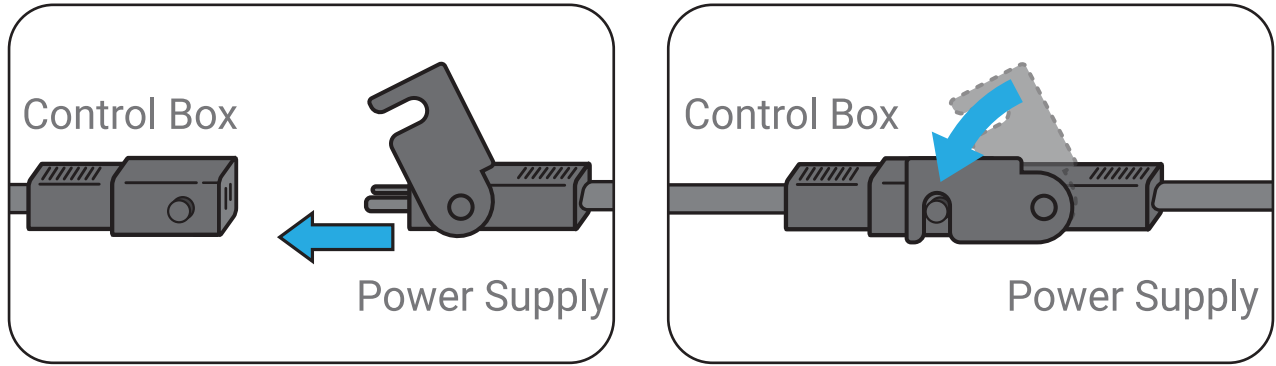
1. Connect the Head Motor's power cable to the Control Box.
2. Connect the Foot Motor's power cable to the Control Box.
3. Connect the Massage Motors' power cable to the Control Box.
4. Connect the Power Supply Adapter cable to the Control Box (see page 6 for details).
5. Connect the USB Chargers' power cable to the Control Box.
6. Connect the LED Accent Lighting power cable to the Control Box.
7. **OPTIONAL** - The SYNC cable should **ONLY** be installed between the two bases of the Split King Adjustable Base when you want to control both sides with a single remote.

A. Remote Pairing Button

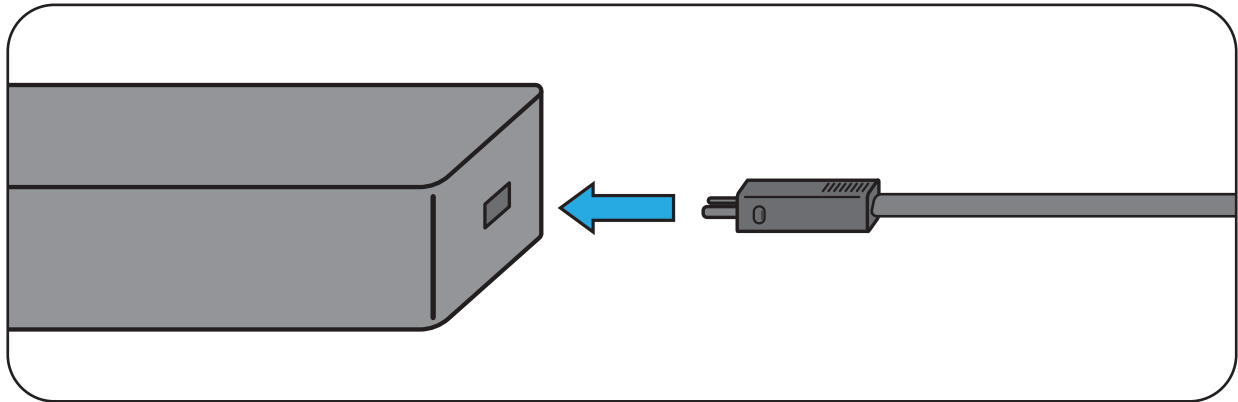
B. Remote Pairing Indicator LED

4. Connecting the Cables (continued)

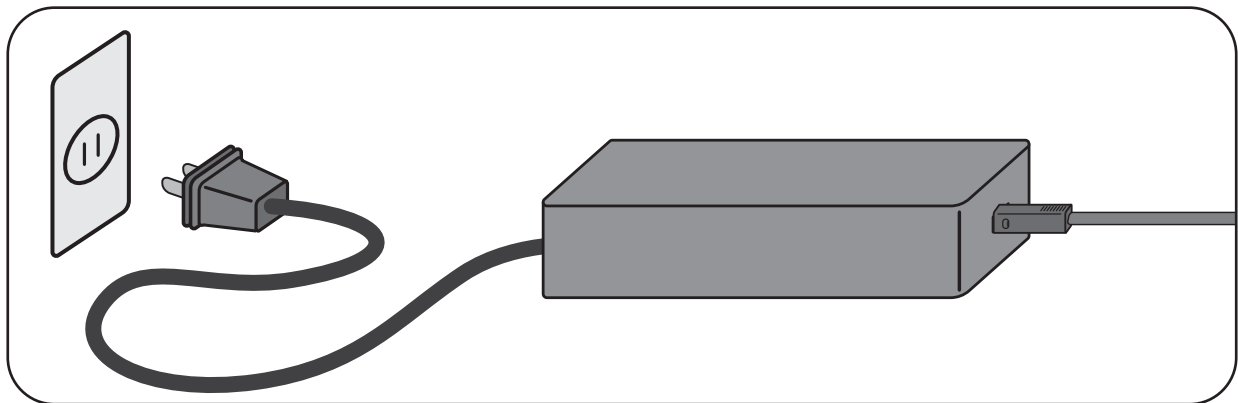
Once you've ensured all cables are connected, connect the **Adapter Cord** from the **Control Box** (#4 on the previous page) to the **Power Supply** as shown:



Connect the **Power Cord** to the **Power Supply** as shown:

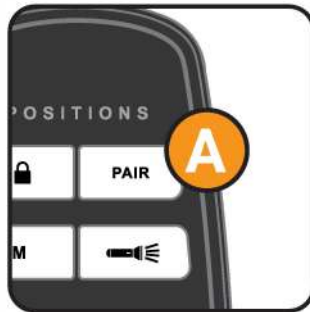


Once all other cables are connected, plug the **Power Cable** into your wall outlet:

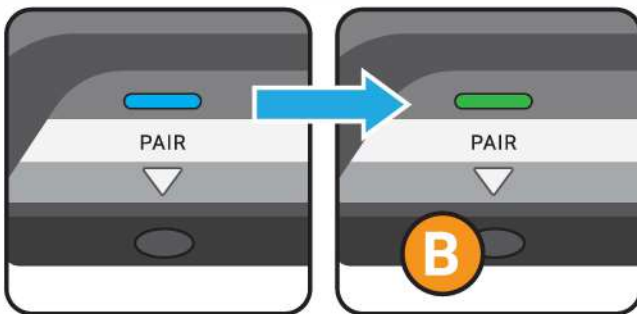


5. Pair the Remote Control

Once the power is plugged in, the Puffy Serenity Adjustable Base will automatically enter Pairing Mode. This is indicated by the flashing LED Accent Lights and the Remote Pairing Indicator on the Control Box lighting solid blue.



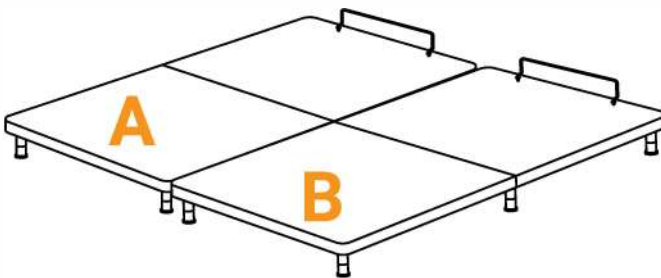
1. Insert the batteries into the remote control.
2. Press and hold the "Pair" button (A) until the remote backlight flashes rapidly.



3. The remote backlight and the adjustable base's Accent LED Lights will both stop flashing, and the Remote Pairing Indicator on the Control Box will turn solid green. You should now be paired.

You can also manually place the adjustable base in Pairing Mode by pressing the button (B) located on the Control Box.

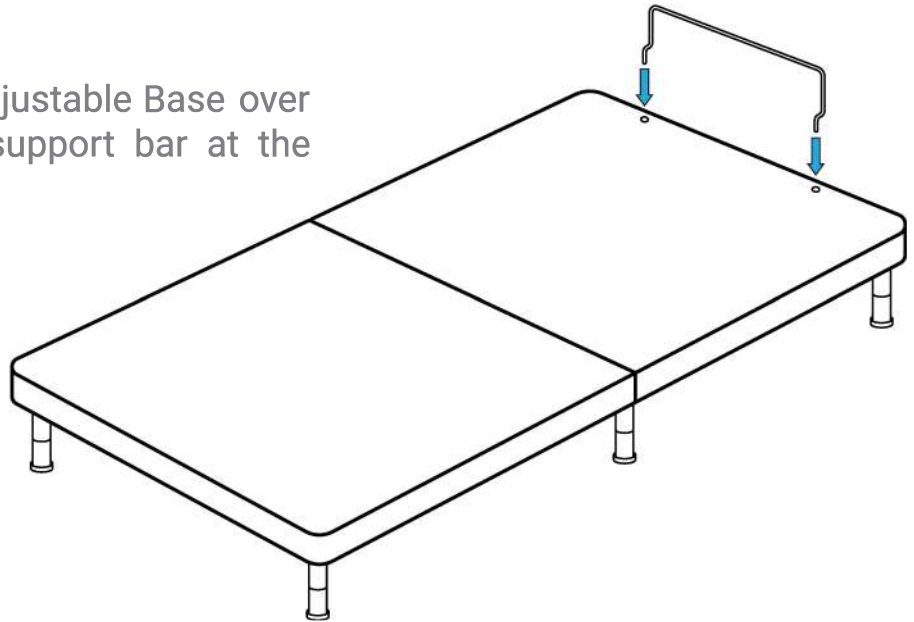
Sync Two Twin XL Adjustable Bases to One Remote:



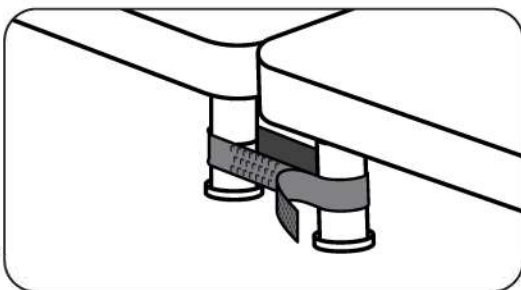
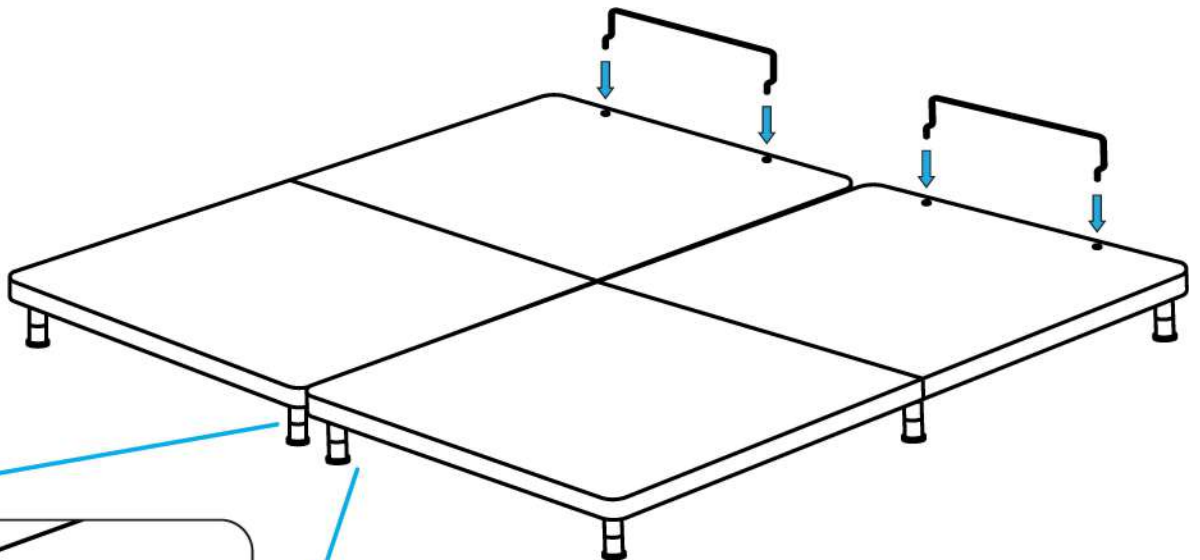
1. Ensure both bases are in the flat position.
2. Connect the **SYNC Cable** between the Control Box of Base A and Base B using the port labeled "SYNC"
3. Either remote will now adjust both sides simultaneously.

6. Insert the Mattress Bar

Flip the Puffy Serenity Adjustable Base over and insert the mattress support bar at the foot of the base.



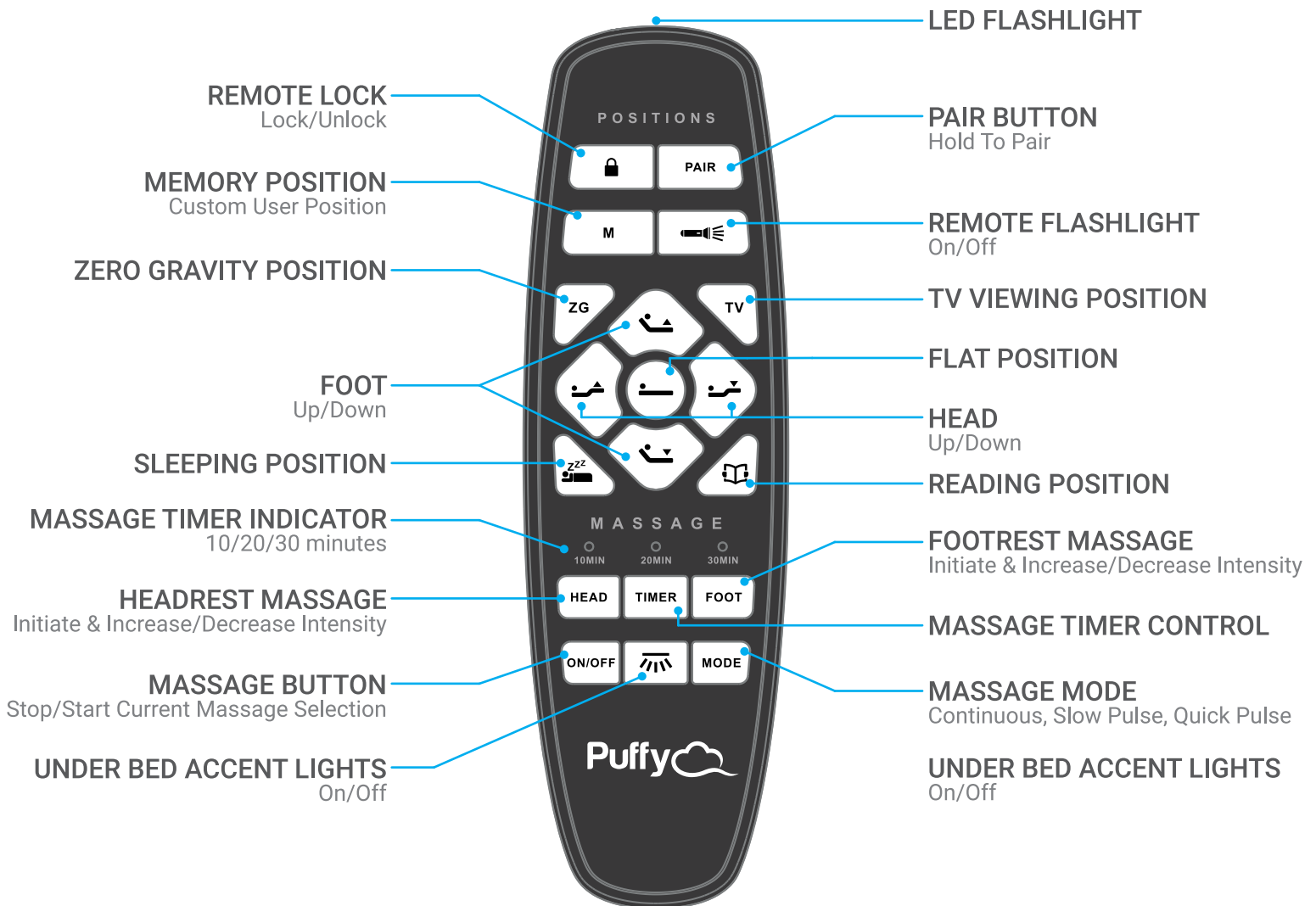
Split-King Setup (2x Twin XL)



(Optional)

To help prevent separation, wrap the front & back bed legs together using the included Bed Leg Straps.

7. The Remote Control



How to Set Custom Position (Memory) Buttons:

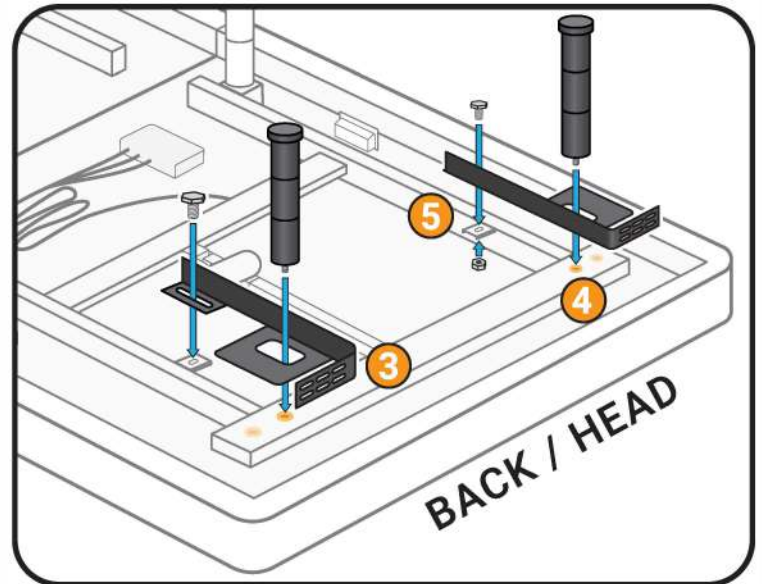
1. Before you begin, press the **Flat Position** button to reset the base.
2. Adjust the base to your preferred position.
3. Press and hold the **Memory Position** ("M") button until the backlight of the remote begins to flash.
4. Once the flashing stops, the position is saved.

The pre-programmed positions (**Zero Gravity**, **TV Viewing**, **Sleeping**, and **Reading**) are also customizable to your preferred height settings using the same instructions as above. Just press the position button of your choice instead of the Memory button.

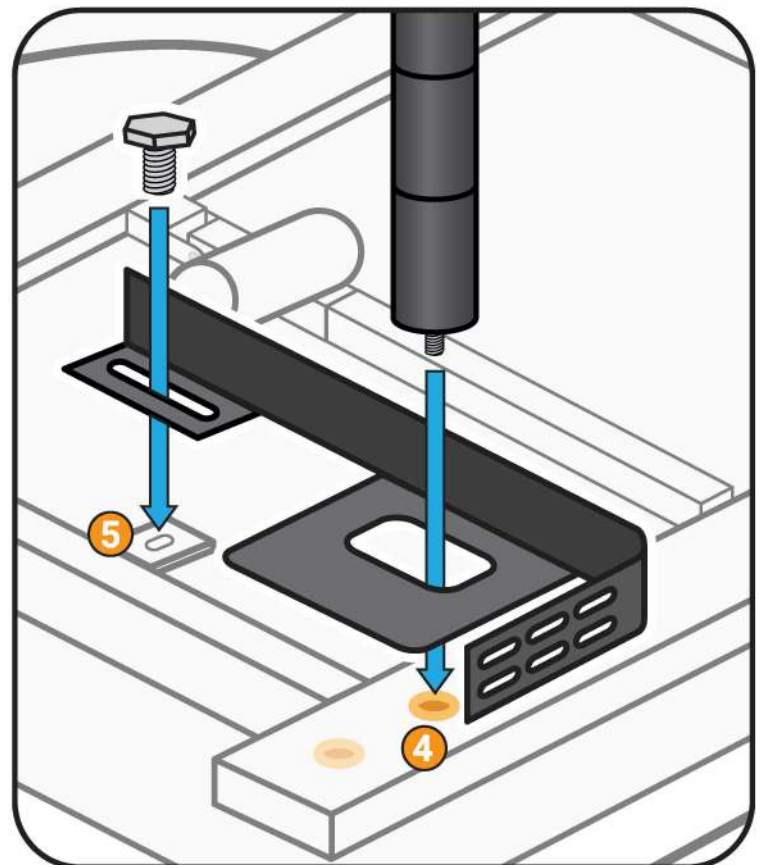
8. Uninversal Headboard Attachment Bracket Installation

Please follow these instructions to install the Universal Headboard Attachment Bracket.

1. Lay the adjustable base on its back.
2. Unscrew the back legs if you have already installed them.
3. Place **Bracket A** onto the frame as shown in the image.

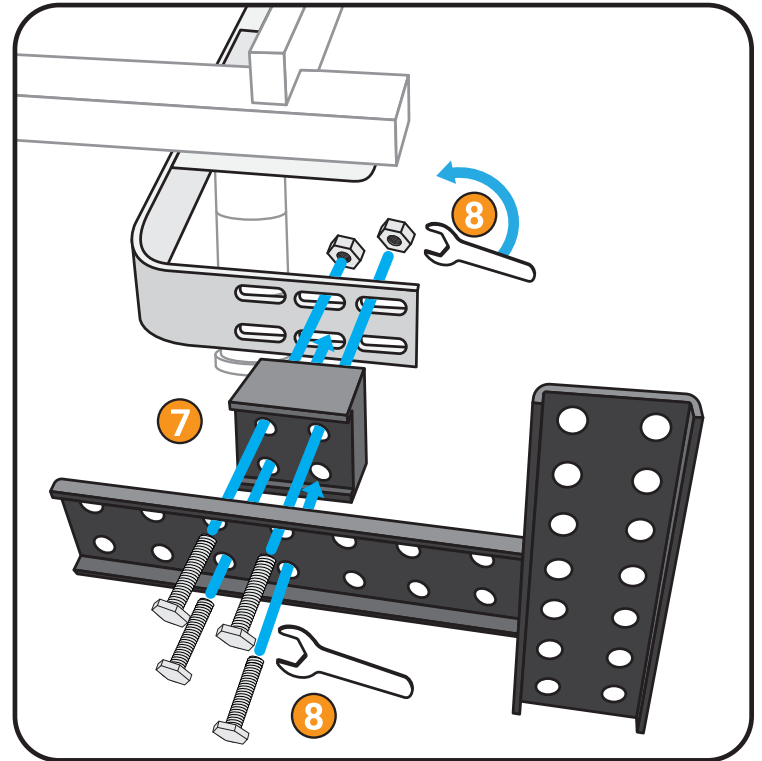


4. Screw the legs into the innermost hole.
5. Secure each bracket with 1x **Bolt E** and 1x **Nut**. Use **Wrench C** on the nuts and **Wrench D** on the bolts to tighten.

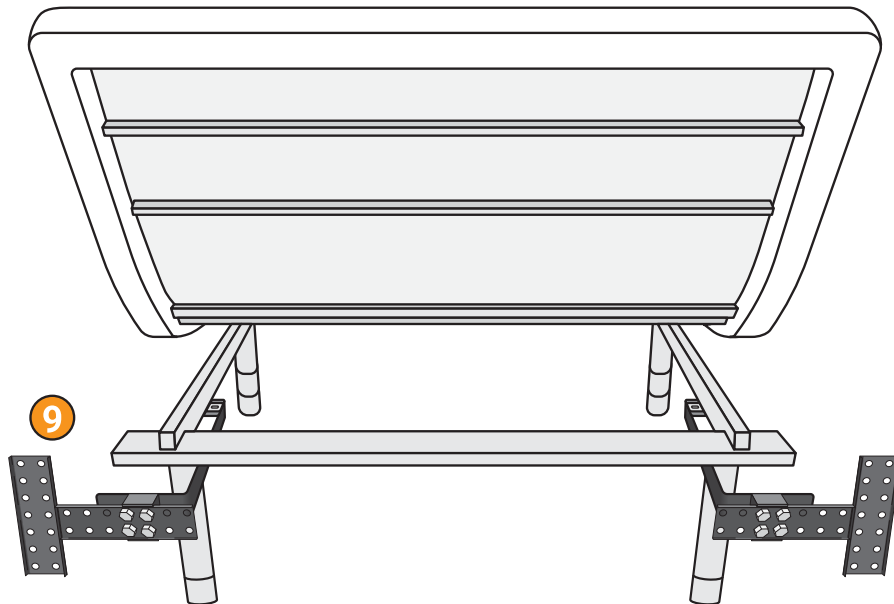


8. Universal Headboard Attachment (continued)

6. Flip the base right-side up and raise the head for easier installation.
7. Attach **Bracket B** to **Bracket A** using x1 **Spacer**, x4 **Bolt F**, and x4 **Nuts**. You may need to adjust **Bracket B** to sit wider or narrower so it lines up with your Headboard's screw/bolt holes.
8. Hold **Bolt F** in place using **Wrench D** and tighten the **Nut** using **Wrench C**.



9. Once complete, repeat the previous steps to install the brackets onto the remaining side. At this point you should follow the instructions provided by your headboard manufacturer to bolt it to our universal bracket system.



Please note, as we mentioned before, you may need to adjust the width of **Bracket B** to align with your headboard.

9. Troubleshooting Guide

Split King Puffy Serenity Adjustable Base adjusts to different heights when using Memory Buttons:

If you have connected your Split King base using the SYNC Cable, but each half is adjusting to different heights when using the Memory and Pre-Programmed Position buttons, you will need to customize each base's position buttons to the same position separately. You will need to have both remotes handy. It's easy to do, just follow these steps:

- 1) Disconnect the **SYNC Cable** between the two Twin XL frames.
- 2) Using each remote, separately adjust both frames to the same position you would like to use for the **Memory Position ("M")** button setting.
- 3) Press and hold the **Memory Position ("M")** button on each remote until the backlight of the remote begins to flash.
- 4) Once the backlight stops flashing, the position is saved. Repeat this procedure for **Zero Gravity, TV Viewing, Sleeping, and Reading** buttons if each half is not lining up correctly when synced.
- 5) Reconnect the **SYNC Cable** between the two frames.

If you are still experiencing issues, please contact our support team for assistance at support@puffy.com (USA) or support@puffy.ca (Canada).



Questions? - support@Puffly.com

Puffly.com