

## Broad Pendant

Named after its distinctive scale and slimline silhouette, Broad is a classic yet contemporary pendant that creates intimacy in even the largest of spaces. Offering a soft diffusion of light with an ambient, even glow, Broad was designed to be placed above the centre of a table – from dining to meeting. Striking enough to command attention yet streamlined enough to fit in within any space, Broad does more than just illuminate; it centres conversations, focus and atmosphere. With a single stem-like hanging point, Broad is available with either a 500mm or 800mm width diameter, in a monochrome colour palette of black or white.

## Broad Pendant

Ø 500 / Ø 800 Pendant light

## Installation Manual

By Kate Stokes

n  
a  
u

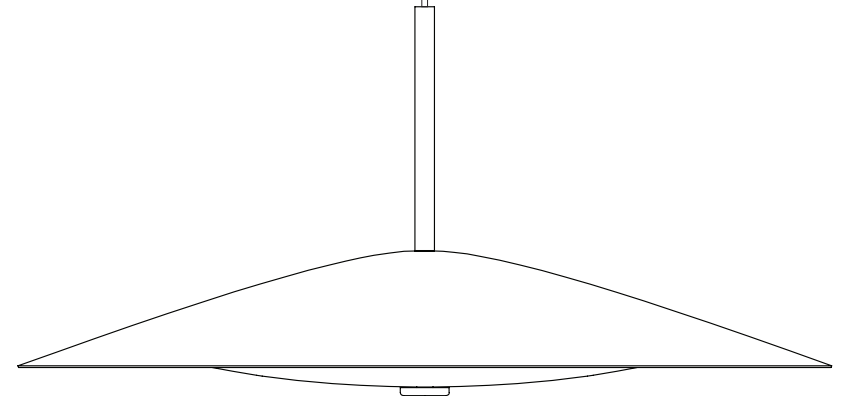
[naudesign.com.au](http://naudesign.com.au)

Sydney.  
21-23 Levey Street  
Chippendale NSW 2008  
[info@cultdesign.com.au](mailto:info@cultdesign.com.au)  
P +61 2 8062 6000

Brisbane.  
925 Ann Street  
Fortitude Valley QLD 4006  
[info@cultdesign.com.au](mailto:info@cultdesign.com.au)  
P +61 7 3252 7605

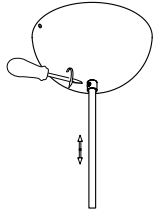
Melbourne.  
680 Elizabeth Street  
Melbourne VIC 3000  
[info@cultdesign.com.au](mailto:info@cultdesign.com.au)  
P +61 3 9066 1177

Auckland.  
73 The Strand  
Parnell Auckland 1010  
[info@cultdesign.co.nz](mailto:info@cultdesign.co.nz)  
P +64 9 379 4466

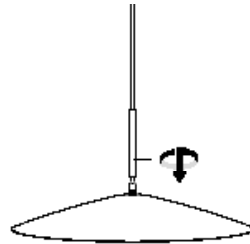


## Installation

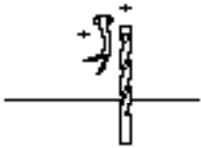
1. Set hang length of flex cord with screw driver.



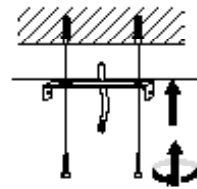
2. Screw on stem.



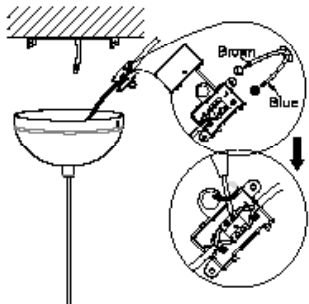
3. Mark and drill holes in the ceiling.



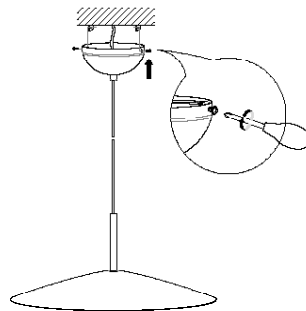
4. Attach ceiling mount in position.



5. Wire appropriately.



6. Attach ceiling canopy to ceiling.



Installation, repairs and the replacement of damaged cables or electrical parts **should only be carried out by a qualified electrician.**

Be careful when transporting and moving the pendant. Prior to cleaning or maintenance, always switch off and disconnect from the electricity supply and allow the shade to cool.

Your product should only be used in a dry indoor environment.

Broad Pendant comes with a 3m cord that can be adjusted. The built in LED lamps are rated to 50,000 hours, emit low levels of heat and are energy efficient. LED driver suits dimmer connected at wall switch. Dimmer not provided. Available in two sizes and a range of finishes.

CRI: 80

IP rating: 20

Input: 220-240V

Light colour: 2800 K

LED: 800D version, 30W

500D version, 14W

Lumens: 800D version, 2900-3300LM

500D version, 1300-1500LM

LVD + SAA Certification