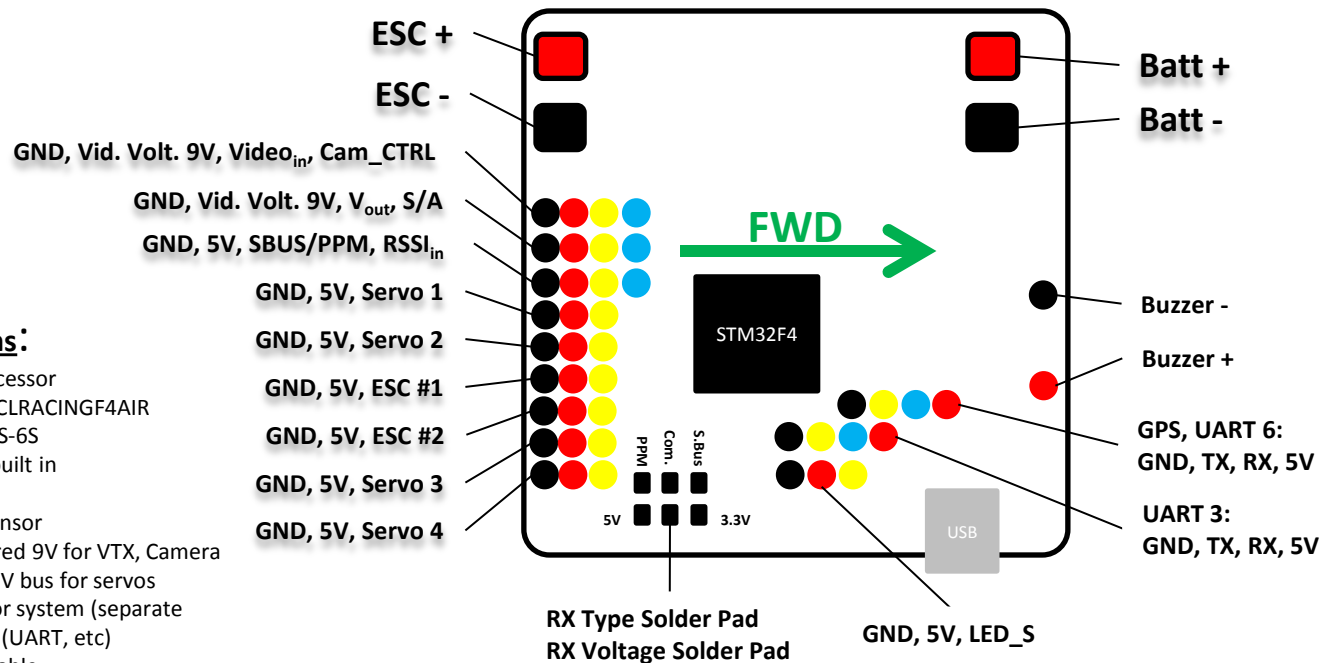


## CL Racing CLF4 Air Fixed Wing Flight Controller



### Specifications:

- STM32F405 Processor
- iNav Firmware: CLRACINGF4AIR
- Voltage Input: 3S-6S
- Betaflight OSD built in
- MPU9250
- 150A Current Sensor
- Regulated, Filtered 9V for VTX, Camera
- Regulated, 5A, 5V bus for servos
- Regulated, 5V for system (separate from servo 5V (UART, etc)
- SmartAudio capable
- Camera OSD control
- UART for GPS
- UART for spare (blackbox, etc) Programmable LED capable
- Buzzer
- RSSI ADC Input
- 2 ESC, 4 Servo outputs

### Notes:

1. SBUS is UART 1
2. Board is rated 3S-6S, 2S can be used but care should be taken with regards to camera and VTX voltage requirements. Direct battery power may be needed for those components that are not tolerant of video voltage power of 9v. The 9V video regulator may reset or not work on a 2S battery.