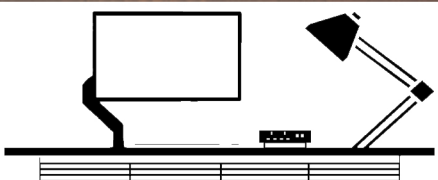




# ORION MONITOR ARM

The successor to our incredibly successful Optima Arms our Orion Monitor Arms can be installed in just a few seconds without crouching under a desk and without tools!



[DESKTOPPOWER.CO.UK](http://DESKTOPPOWER.CO.UK)

## Single Flat Screen Pole Arm



FSA-ORI-M103-W



FSA-ORI-M103-B




FSA-ORI-M103-S

### PRODUCT FEATURES

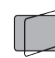
- Top fixing clamp for quick and easy installation
- Quick Release Vesa
- Cable Management clips
- Height Adjustable

 LCD size  
≤30"

 Wt. capacity  
≤8


 Post Height  
400mm

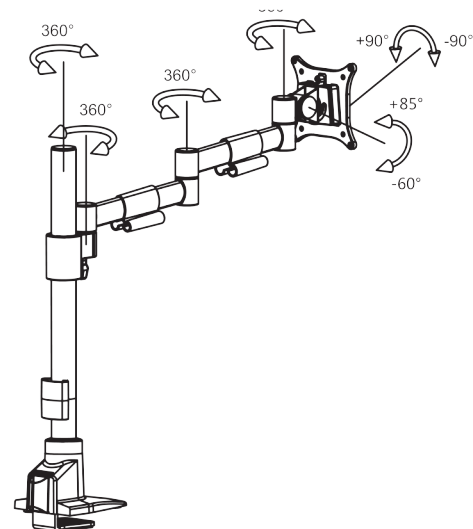
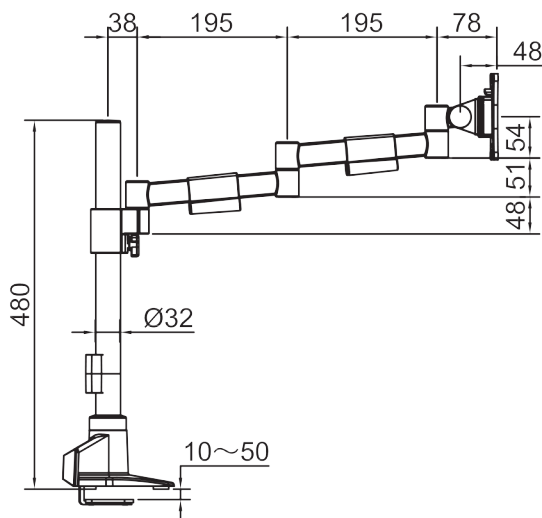
 Tilt  
+85°-60°

 Swivel  
360°

 Pivot  
+/- 90°

 VESA  
75x75 / 100x100

 Packing Size  
Inner 555x250x120mm  
Outer 565x270x375mm



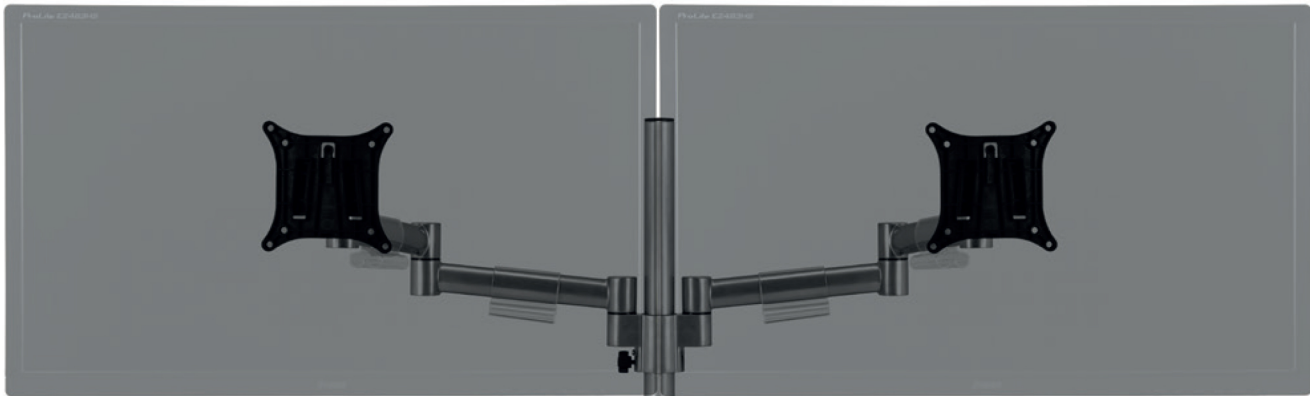
## Double Flat Screen Monitor Arm



FSA-ORI-M204-W



FSA-ORI-M204-B



FSA-ORI-M204-S

### PRODUCT FEATURES

- Top fixing clamp for quick and easy installation
- Quick Release Vesa
- Cable Management clips
- Height Adjustable



**LCD size**  
≤30"



**Wt. capacity**  
≤8



**Post Height**  
400mm



**Tilt**  
+85°-60°



**Swivel**  
360°



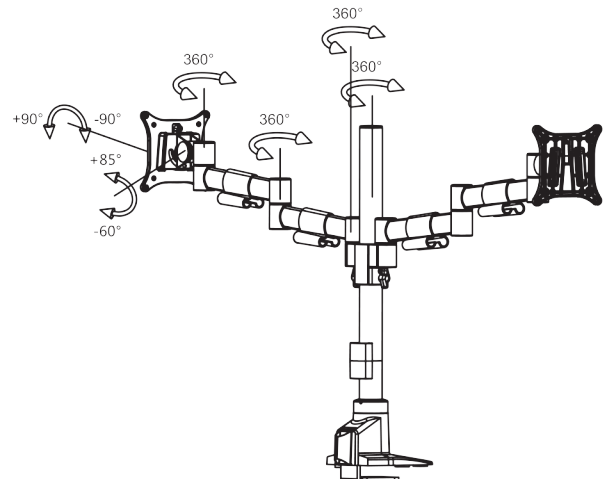
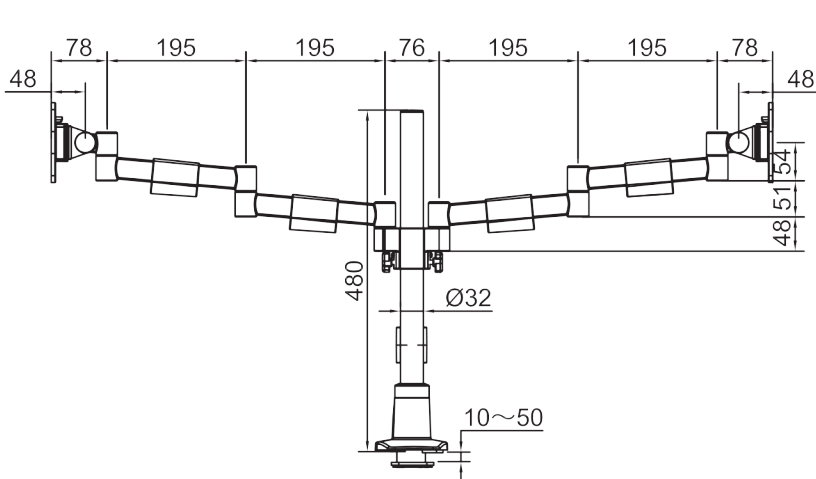
**Pivot**  
+/- 90°



**VESA**  
75x75 / 100x100

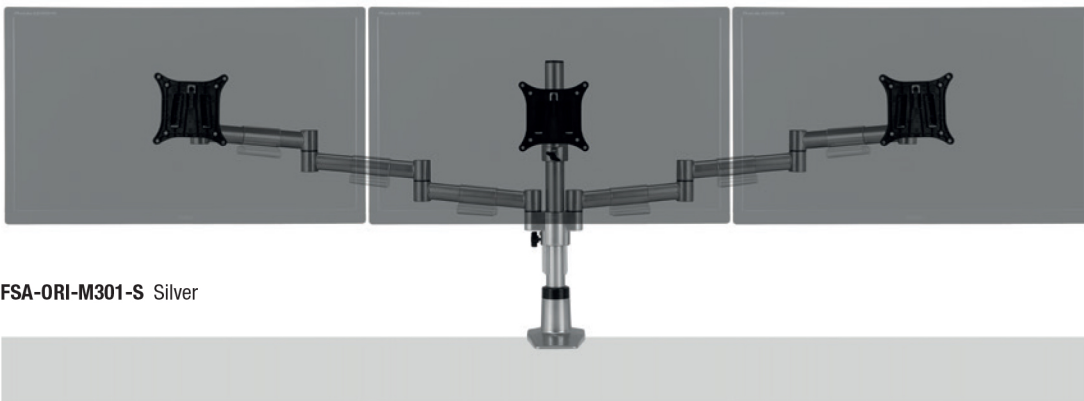


**Packing Size**  
Inner 570x340x120mm  
Outer 585x355x375mm






**Triple Flat Screen Pole Arm**



**PRODUCT FEATURES**

- Top fixing clamp for quick and easy installation
- Quick Release Vesa
- Cable Management clips
- Height Adjustable

 **LCD size**  
≤30"

 **Wt. capacity**  
≤8

 **Post Height**  
400mm

 **Tilt**  
+85°-60°

 **Swivel**  
360°

 **Pivot**  
+/- 90°

 **VESA**  
75x75 / 100x100

 **Packing Size**  
810x325x155mm

