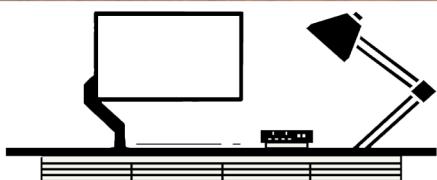




# IRIS MONITOR ARM

Our industry leading Iris Arms provide smooth individual screen adjustment at your fingertips. The Iris Arm is the ultimate monitor arm solution.



[DESKTOPPOWER.CO.UK](http://DESKTOPPOWER.CO.UK)

# Single Flat Screen Gas Arm



**FSFSA-IRI-S100-W**



**FSFSA-IRI-S100-B**



**FSFSA-IRI-S100-S**

## PRODUCT FEATURES

- Easy to adjust both monitors to preferred and unobstructed view
- Weight adjustable to suit monitors of all sizes
- Quick and easy installation

 **LCD size**  
≤30"

 **Wt. capacity**  
2-10 / 9-21

 **Lift**  
340mm

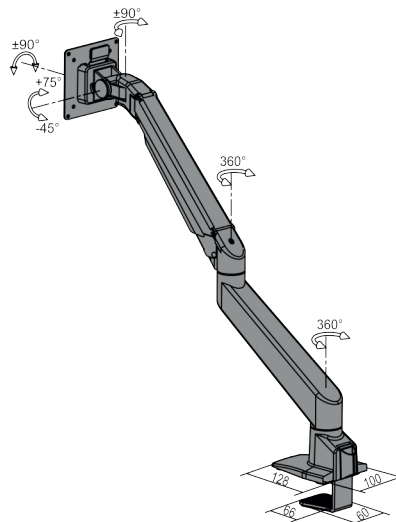
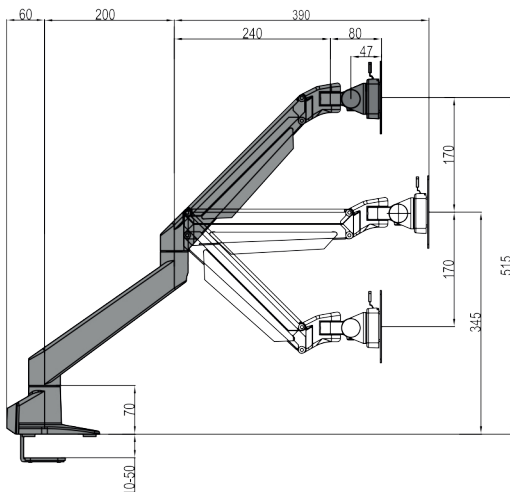
 **Tilt**  
+75° -45°

 **Swivel**  
+/- 90°

 **Pivot**  
+/- 90°

 **VESA**  
75x75 / 100x100

 **Packing Size**  
Inner 475x195x140mm  
Outer 490x210x440mm





# Double Flat Screen Gas Arms



**FSA-IRI-S203-W**



**FSA-IRI-S203-S**

## PRODUCT FEATURES

- Easy to adjust both monitors to preferred and unobstructed view
- Weight adjustable to suit monitors of all sizes
- Quick and easy installation

 **LCD size**  
≤24"

 **Wt. capacity**  
2-10 / 9-21

 **Lift**  
340mm

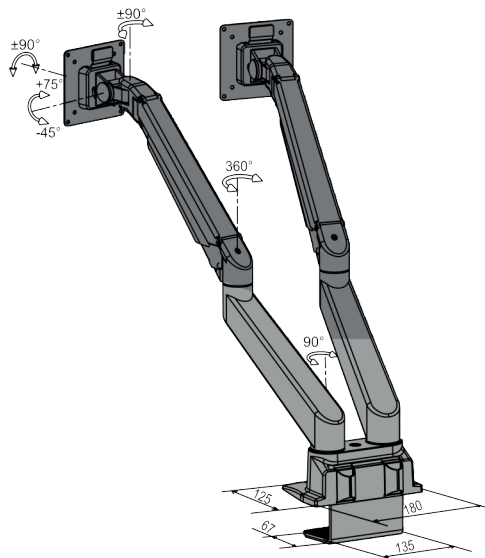
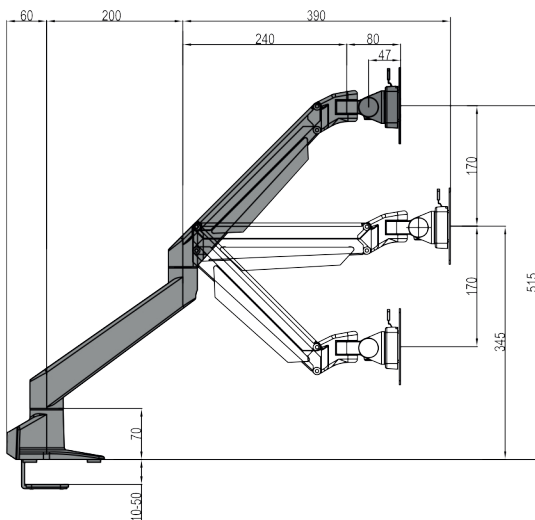
 **Tilt**  
+75° -45°

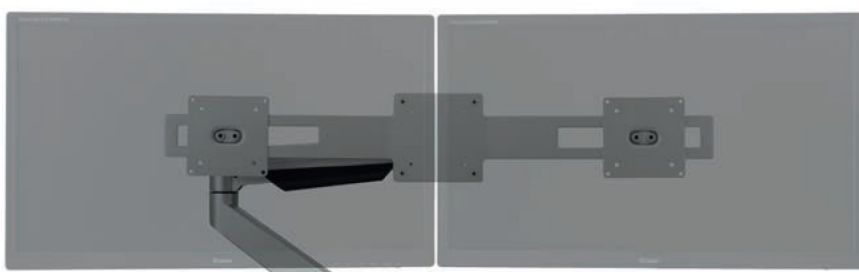
 **Swivel**  
+/- 90°

 **Pivot**  
+/- 90°

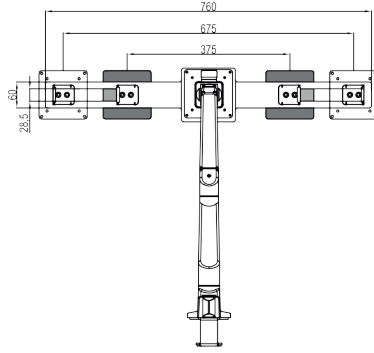
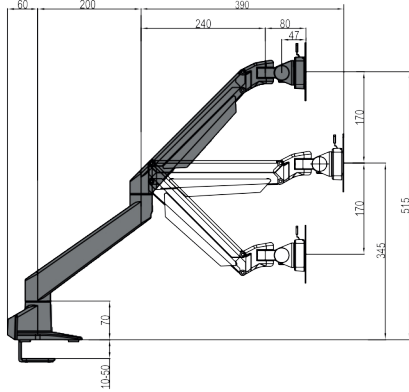
 **VESA**  
75x75 / 100x100

 **Packing Size**  
Inner 580x255x165mm  
Outer 595x240x515mm





FSA-IRI-S202-S



**PRODUCT FEATURES**

- Quick and easy installation
- Ideal for workstations where space is restricted
- Dual Arm attachment available as separate item to easily turn in existing single arm into a double



LCD size  
≤24"



Swivel  
+/- 90°



Wt. capacity  
2-10 / 9-21



Pivot  
+/- 90°



Lift  
340mm



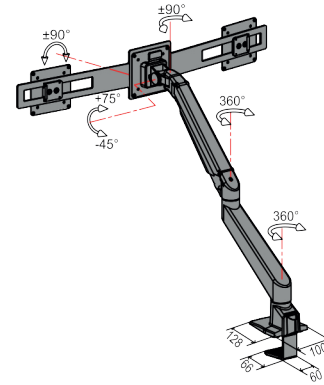
VESA  
75x75 / 100x100



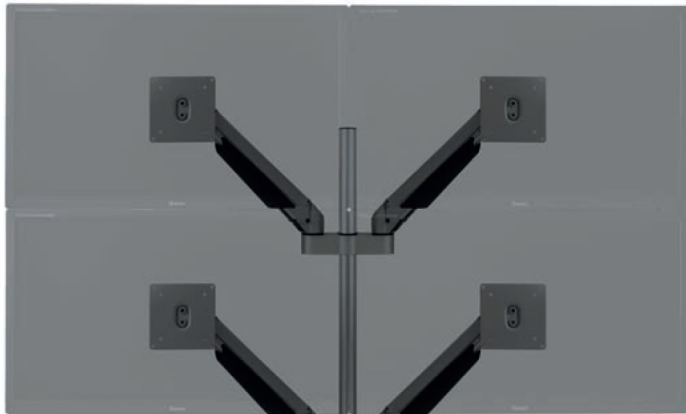
Tilt  
+75° -45°



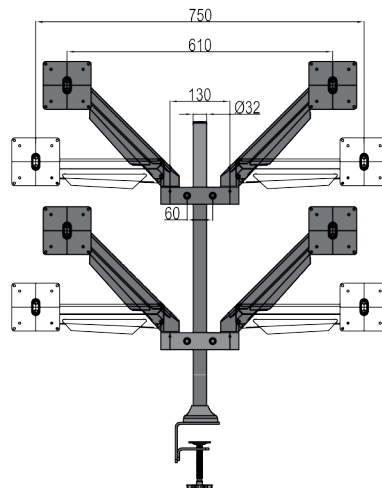
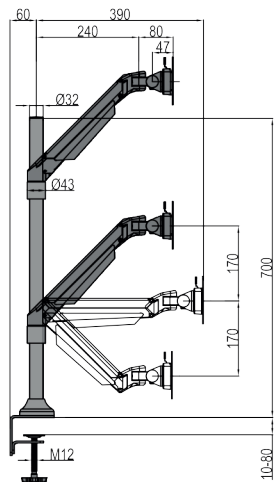
Packing Size  
Inner 475x195x140mm  
Outer 490x210x440mm



**Quad Screen Pole Arm**



FSA-IRI-S400-S



**PRODUCT FEATURES**

- Easy to adjust monitors to preferred and unobstructed view
- Weight adjustable to suit monitors of all sizes
- Quick and easy installation



LCD size  
≤24"



Swivel  
+/- 90°



Wt. capacity  
2-10 / 9-21



Pivot  
+/- 90°



Lift  
340mm



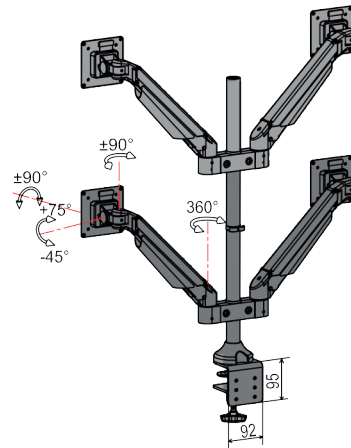
VESA  
75x75 / 100x100



Tilt  
+75° -45°



Packing Size  
965x255x150mm

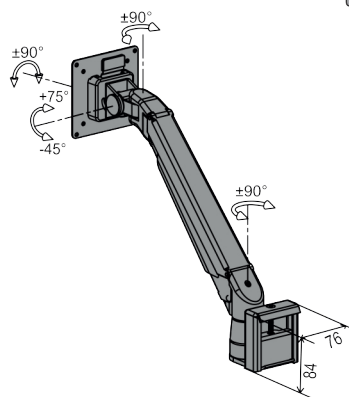
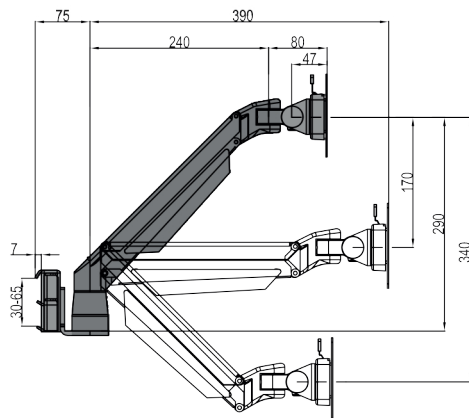




## Slat Wall Gas Arm



**FSA-IRI-S102-S**



### PRODUCT FEATURES

- Easy to adjust both monitor to preferred view
- Gas Lift height adjustable
- Quick release VESA



**LCD size**  
≤30"



**Wt. capacity**  
2-10 / 9-21



**Lift**  
340mm



**Tilt**  
+75° -45°



**Swivel**  
+/- 90°



**Pivot**  
+/- 90°



**VESA**  
75x75 / 100x100

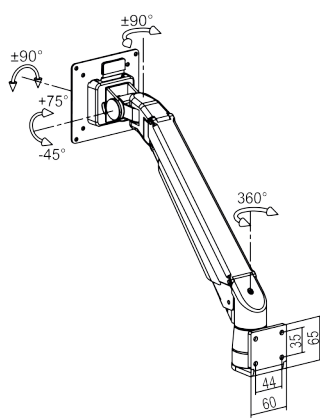
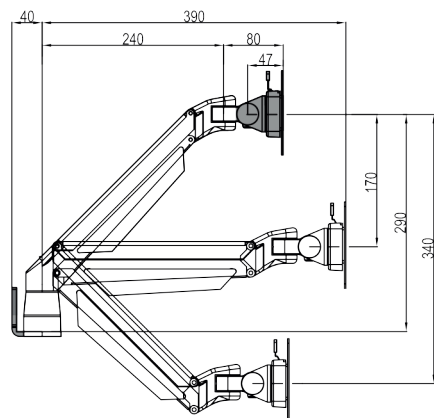


**Packing Size**  
Inner 520x140x110mm  
Outer 535x155x350mm

## Wall Mount Gas Arm



**FSA-IRI-S103-S**



### PRODUCT FEATURES

- Easy to adjust both monitor to preferred view
- Gas Lift height adjustable
- Quick release VESA



**LCD size**  
≤30"



**Wt. capacity**  
2-10 / 9-21



**Lift**  
340mm



**Tilt**  
+75° -45°



**Swivel**  
+/- 90°



**Pivot**  
+/- 90°



**VESA**  
75x75 / 100x100



**Packing Size**  
Inner 520x140x110mm  
Outer 535x155x350mm

# IRIS MONITOR ARM



## GAS ARM ACCESSORIES

Laptop Vessa Attachment FSA-0R0-ACC-001



Iris Height Extender –  
Silver FSA-IRI-ACC-010



Slide for Iris Monitor Arm –  
Silver FSA-IRI-SLIDE-01

