



ASSEMBLY



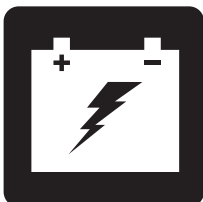
OPERATION



COMFORT



MAINTENANCE




BATTERY
CHARGING



TRAVEL SCOOTER SERIES

OWNER'S MANUAL

TRAVEL SCOOTER FEATURES TABLE

Model	Console Style				Battery Pack Style			Battery Charging		Frame Lock-up Style		Options *			
		A	B	C	D	A	B	C	On Unit	Off Unit	A (Release Lever)	B (Lock-up Pin)	Suspension Seat Post	Lights	Changeable Color Panels
36	•					•			•	•		•			
40X	•					•			•	•	•				
44X	•					•			•	•	•				
40E		•	•AU only			•			•	•	•				•
44E		•	•AU only			•			•	•	•				•
40LX				•		•			•	•	•		•	•	•
44LX				•		•			•	•	•		•	•	•
50LX				•		•			•	•	•			•	•
54LX				•		•			•	•	•			•	•
53			•			•			•	•	•				•
53HD			•			•			•	•	•				•
54			•			•			•	•	•		•		•
54HD			•			•			•	•	•				•
73				•		•			•	•	•		•	•	•
74				•		•			•	•	•		•	•	•
83		•							•			•			
84		•							•			•			

***NOTE:** Travel Scooter options vary by country. Please contact your Provider to determine which options are available for your Travel Scooter.

NOTE: Please become familiar with your Travel Scooter's model number. The number can be found on the product specification sheet in your owner's package. Throughout this owner's manual, Travel Scooter attributes are identified by model number (far left-hand column on Travel Scooter Features Table). Knowing your unit's model number will aid you in determining your particular Travel Scooter's unique characteristics.

INTENDED USE

The intended use of the Travel Scooter device is to provide mobility to persons limited to a seated position that have the capability of operating a scooter.

NOTE: This owner's manual is compiled from the latest specifications and product information available at the time of publication. We reserve the right to make changes as they become necessary. Any changes to our products may cause slight variations between the illustrations and explanations in this manual and the product you have purchased. The latest/current version of this manual is available on our website.

NOTE: This product is compliant with WEEE, RoHS, and REACH directives and requirements.

NOTE: This product meets IPX4 classification (IEC 60529).

NOTE: The Travel Scooter and its components are not made with natural rubber latex. Consult with the manufacturer regarding any after-market accessories.



CONTENTS

SAFETY GUIDELINES	3
I. SAFETY	4
II. YOUR TRAVEL SCOOTER	6
III. BATTERIES AND CHARGING	13
IV. OPERATION	19
V. COMFORT ADJUSTMENTS	21
VI. DISASSEMBLY AND ASSEMBLY	24
VII. BASIC TROUBLESHOOTING	26
VIII. CARE AND MAINTENANCE	28

SAFETY GUIDELINES



WARNING! An authorized Provider or qualified technician must perform the initial setup of this scooter and must perform all of the procedures in this manual.

The symbols below are used throughout this owner's manual and on the scooter to identify warnings and important information. It is very important for you to read them and understand them completely.



WARNING! Indicates a potentially hazardous condition/situation. Failure to follow designated procedures can cause either personal injury, component damage, or malfunction. On the product, this icon is represented as a black symbol on a yellow triangle with a black border.



MANDATORY! These actions should be performed as specified. Failure to perform mandatory actions can cause personal injury and/or equipment damage. On the product, this icon is represented as a white symbol on a blue dot with a white border.



PROHIBITED! These actions are prohibited. These actions should not be performed at any time or in any circumstances. Performing a prohibited action can cause personal injury and/or equipment damage. On the product, this icon is represented as a black symbol with a red circle and red slash.

I. SAFETY

PRODUCT SAFETY SYMBOLS

The symbols below are used on the Travel Scooter to identify warnings, mandatory actions, and prohibited actions. It is very important for you to read and understand them completely.

NOTE: There are more warnings identified and explained in the Consumer Safety Guide that is included with your Travel Scooter. Please become familiar with all the warnings and safety information found in the Consumer Safety Guide and refer to this resource often.



Read and follow the information in the owner's manual.



Scooter information label.



Fully charge batteries before operating.

Remove key from an unattended Travel Scooter.



Indicates tie-down points on the Travel Scooter.



Does not meet 7176-19 standards for occupied transport in a motor vehicle. When travelling in a motor vehicle, do not sit in your Travel Scooter.



Manufactured in.

I. SAFETY

GENERAL



MANDATORY! Do not operate your new Travel Scooter for the first time without completely reading and understanding this owner's manual and the Consumer Safety Guide.

Your Travel Scooter is a state-of-the-art life-enhancement device designed to increase mobility. We provide an extensive variety of products to best fit the individual needs of the Travel Scooter user. Please be aware that the final selection and purchasing decision regarding the type of Travel Scooter to be used is the responsibility of the Travel Scooter user who is capable of making such a decision and his/her healthcare professional (i.e., medical doctor, physical therapist, etc.).

The contents of this manual are based on the expectation that a mobility device expert has properly fitted the Travel Scooter to the user and has assisted the prescribing healthcare professional and/or the authorized Provider in the instruction process for the use of the product.

There are certain situations, including some medical conditions, where the Travel Scooter user will need to practice operating the Travel Scooter in the presence of a trained attendant. A trained attendant can be defined as a family member or care professional specially trained in assisting a Travel Scooter user in various daily living activities.

As you begin using your Travel Scooter during daily activities, you will probably encounter situations in which you will need some practice. Simply take your time and you will soon be in full and confident control as you maneuver through doorways, on and off elevators, up and down ramps, and over moderate terrain.

Additional general information can be found on the supplemental information sheets and booklets included in your Owner's Package. Please fully read and review the information, and keep it readily available for future reference.

Below are some precautions, tips, and other safety considerations that will help you become accustomed to operating the Travel Scooter safely.

PRE-RIDE SAFETY CHECK

Get to know the feel of your Travel Scooter and its capabilities. We recommend that you perform a safety check before each use to make sure your Travel Scooter operates smoothly and safely.

Perform the following inspections prior to using your Travel Scooter:

- Check the condition of the tires. Make sure they are not damaged or excessively worn.
- Check all electrical connections. Make sure they are tight and not corroded.
- Check all harness connections. Make sure they are secured properly.
- Check the brakes to ensure they operate properly.
- Check the battery condition meter to ensure the batteries are fully charged.
- Ensure the manual freewheel lever is in drive mode before sitting on the Travel Scooter.

If you discover a problem, contact your authorized Provider for assistance. Please refer to the Contact Information insert in your Owner's Package.

II. YOUR TRAVEL SCOOTER

TILLER CONSOLE

The tiller console houses all controls needed to drive your Travel Scooter, including the key switch, throttle control lever, horn button, speed adjustment dial, and the battery condition meter. Please refer to the *Travel Scooter Features Table* on the inside of the front cover of this owner's manual to determine which console figure to choose. See figures 1 through 4.



PROHIBITED! Do not expose the tiller console to moisture. In the event that the tiller console does become exposed to moisture, do not attempt to operate your Travel Scooter until the tiller console has dried thoroughly.

IDENTIFICATION KEY FOR FIGURES 1 THROUGH 4

- | | |
|----------------------------|--|
| 1. HORN | 6. CHARGER POWER CORD RECEPTACLE (TILLER PORT) |
| 2. KEY SWITCH | 7. OFF-BOARD CHARGER FUSE |
| 3. BATTERY CONDITION METER | 8. LIGHT FUSE |
| 4. SPEED ADJUSTMENT DIAL | 9. LIGHT SWITCH |
| 5. THROTTLE CONTROL LEVER | |

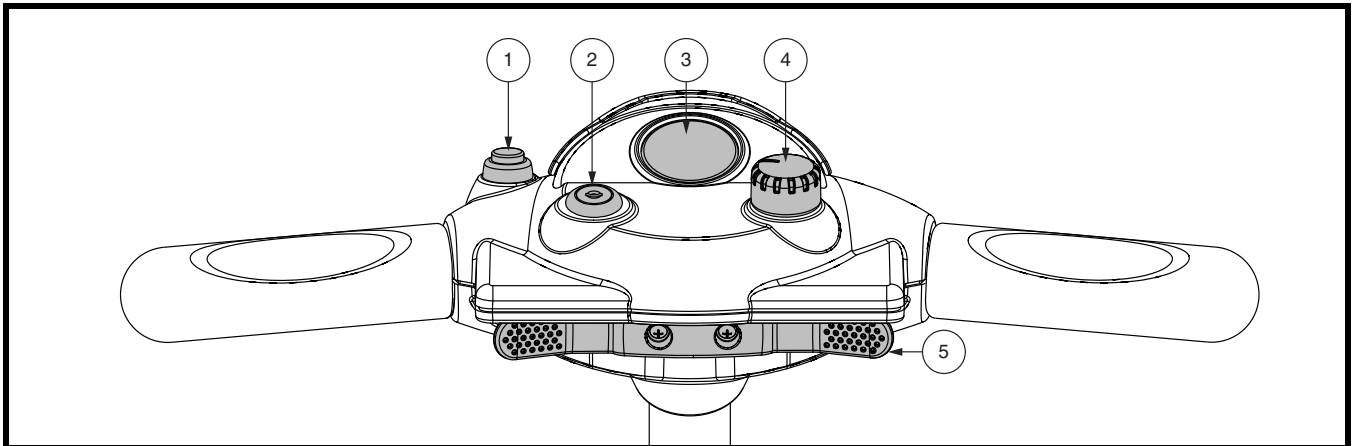


Figure 1. Tiller Console A

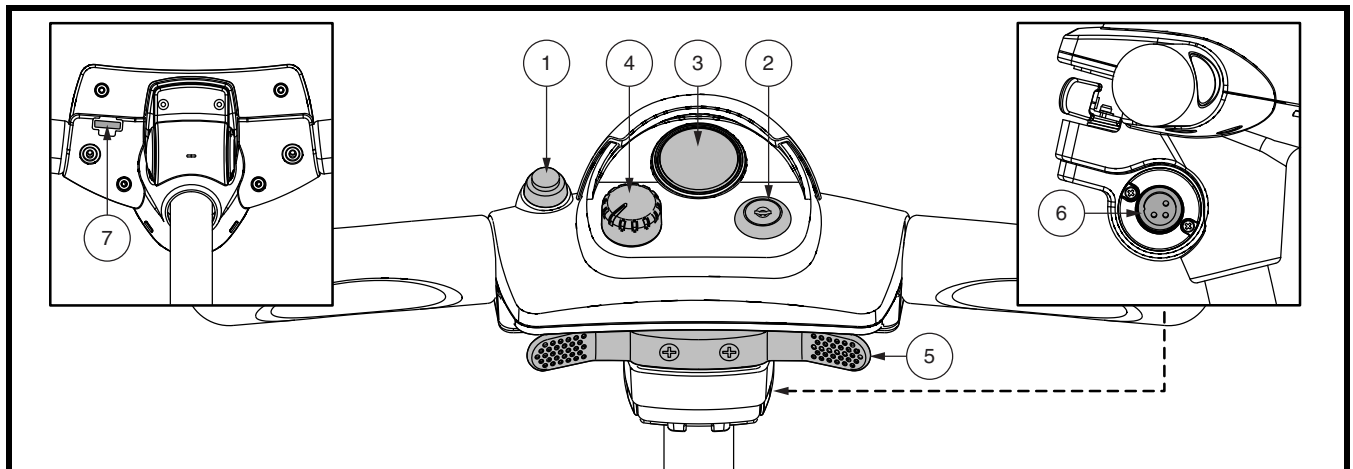


Figure 2. Tiller Console B

II. YOUR TRAVEL SCOOTER

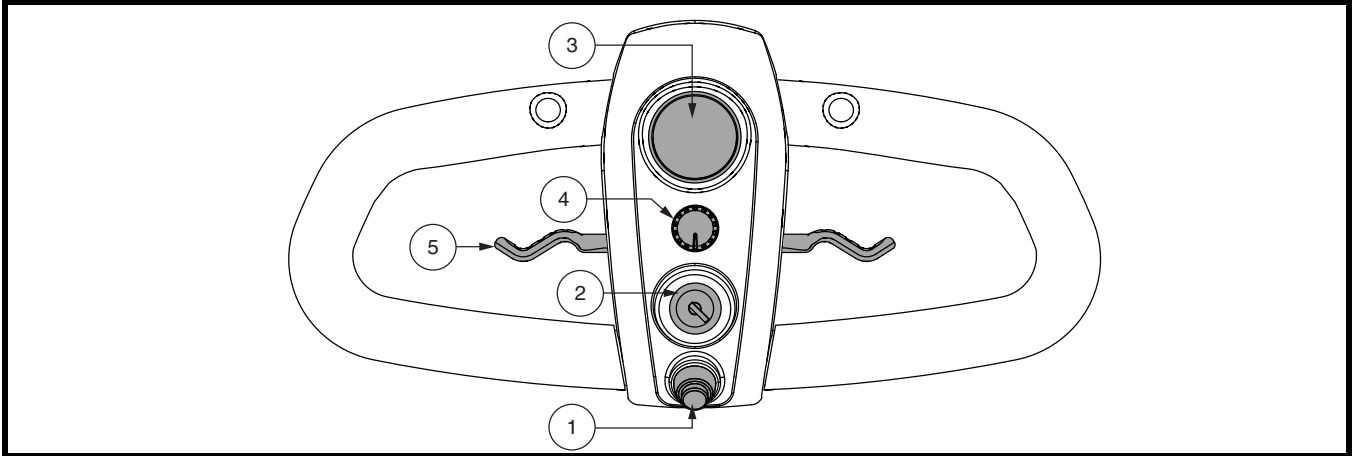


Figure 3. Tiller Console C

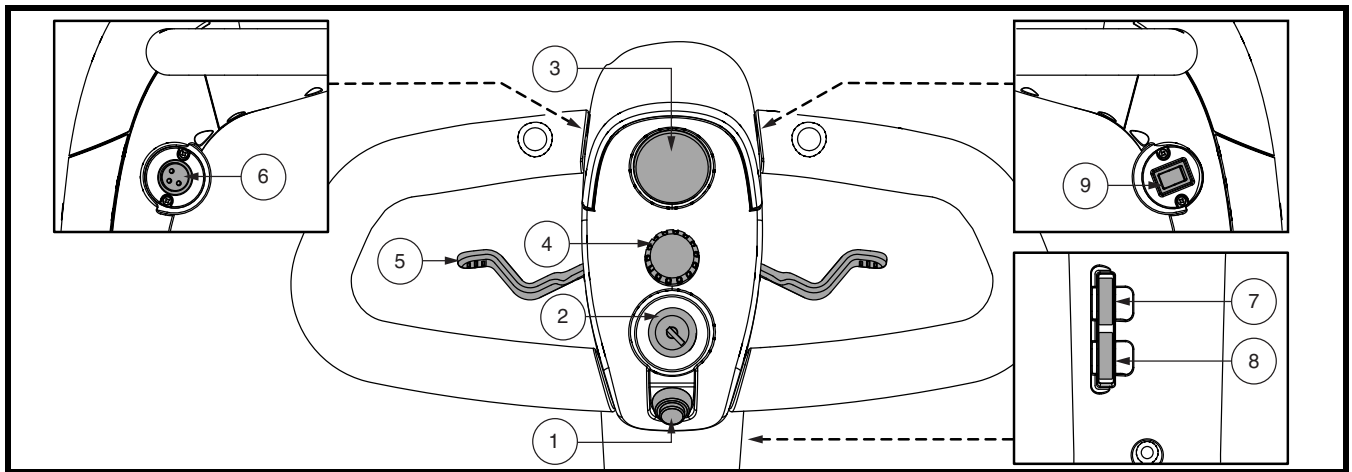


Figure 4. Tiller Console D

Horn Button

This button activates a warning horn. Your Travel Scooter must be turned on for the horn to be operational. Do not hesitate to use the warning horn when doing so may prevent accident or injury.

Key Switch

- Insert the key into the key switch and turn it clockwise to power up (turn on) your Travel Scooter.
- Turn the key counterclockwise to power down (turn off) your Travel Scooter.

Although the key can be left in the key switch when the Travel Scooter is powered down, we recommend removing it to prevent unauthorized use of your Travel Scooter.



WARNING! If the key is moved to the “off” position while your Travel Scooter is in motion, the electronic brakes will engage and your Travel Scooter will come to an abrupt stop!

Battery Condition Meter

When the key is fully inserted into the key switch and turned clockwise to power up your scooter, this meter indicates approximate battery strength. For further information on the battery condition meter, see III. “Batteries and Charging.”

II. YOUR TRAVEL SCOOTER

Speed Adjustment Dial 🐢 🐇

This dial allows you to preselect and limit your Travel Scooter's top speed.

- The image of the tortoise represents the slowest speed setting.
- The image of the hare represents the fastest speed setting.

Throttle Control Lever

This lever allows you to control the forward speed and the reverse speed of your Travel Scooter up to the maximum speed you preset with the speed adjustment dial.

- Place your right hand on the right handgrip and your left hand on the left handgrip.
- Use your right thumb to push the right side of the lever to disengage your Travel Scooter's brakes and move forward.
- Release the lever and allow your Travel Scooter to come to a complete stop before pushing the other side of the lever to move in reverse.
- When the throttle is completely released, it automatically returns to the center "stop" position and engages your Travel Scooter's brakes.

Lights Switch (If Equipped) ☰

This switch controls your Travel Scooter's lighting system. See figure 4.

- Toggle the switch forward to turn on the lighting system.
- Toggle the switch rearward to turn off the lighting system.



WARNING! Scooter users are required to use their lights when visibility is restricted — day or night.

REAR COMPONENTS

The manual freewheel lever, anti-tip wheels, and motor/transaxle assembly are located on your Travel Scooter as shown. See figure 5.



WARNING! Before placing your Travel Scooter into or taking it out of freewheel mode, remove the key from the key switch. Never sit on a Travel Scooter when it is in freewheel mode. Never put a Travel Scooter in freewheel mode on any incline.

Manual Freewheel Lever

Whenever you need or want to push your Travel Scooter for short distances, you can put it in freewheel mode.

1. Locate the manual freewheel lever at the top right of the rear section.
2. Push forward on the manual freewheel lever to disable the drive system and the brake system. You may now push your Travel Scooter.
3. Push the manual freewheel lever rearward to reengage the drive and the brake systems; this takes your Travel Scooter out of freewheel mode.

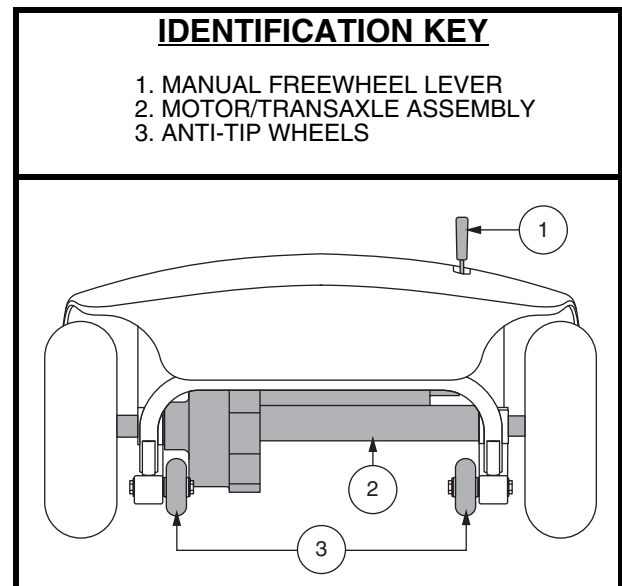


Figure 5. Rear Components

II. YOUR TRAVEL SCOOTER

WARNING! When your Travel Scooter is in freewheel mode, the braking system is disengaged.



- Disengage the drive motors only on a level surface.
- Ensure the key is removed from the key switch.
- Stand to the side of the scooter to engage or disengage freewheel mode. Never sit on a scooter to do this.
- After you have finished pushing your Travel Scooter, always return it to the drive mode to lock the brakes.

Motor/Transaxle Assembly

The motor/transaxle assembly is an electromechanical unit that converts electrical energy from your Travel Scooter's batteries into the controlled mechanical energy that drives the Travel Scooter's wheels.

Anti-Tip Wheels

The anti-tip wheels are an integral and important safety feature of your Travel Scooter. They are bolted to the frame at the rear of the Travel Scooter.



PROHIBITED! Do not remove the anti-tip wheels or modify your Travel Scooter in any way that is not authorized by your Provider.



WARNING! The anti-tip wheels may cause interference with the smooth transition of your Travel Scooter when ascending or descending a curb. Contact your authorized Provider for more information.

Main Circuit Breaker (Reset Button)

When the voltage in your Travel Scooter's batteries becomes low or the Travel Scooter is heavily strained because of excessive loads or steep inclines, the main circuit breaker may trip to protect the motor and electronics from damage. See figure 6.

- The main circuit breaker reset button pops out when the breaker trips.
- When the breaker trips, the entire electrical system of your Travel Scooter shuts down.
- Allow a minute or two for your Travel Scooter's electronics to "rest."
- Push in the reset button to reset the main circuit breaker.
- If the main circuit breaker trips frequently, you may need to charge your batteries more often. You may also need to have your authorized Provider perform a load test on your Travel Scooter's batteries.
- If the main circuit breaker trips repeatedly, see your authorized Provider for service.

II. YOUR TRAVEL SCOOTER

BATTERY PACK

Your Travel Scooter is equipped with an innovative, easy-to-remove battery pack. A handle on the top of the battery pack makes it easy to lift the pack off of the Travel Scooter with one hand. The battery pack contains two rechargeable batteries, and may contain the charger power cord receptacle, the main circuit breaker (reset button), and the battery pack fuse. See figure 6.

IDENTIFICATION KEY

- | | |
|----------------------------------|--|
| 1. BATTERY PACK | 5. MAIN CIRCUIT BREAKER (RESET BUTTON) |
| 2. BATTERY PACK HANDLE | 6. BATTERY CABLE WIRING HARNESS |
| 3. CHARGER POWER CORD RECEPTACLE | 7. BATTERY TERMINALS |
| 4. BATTERY PACK FUSE | 8. TILLER CONSOLE FUSE |

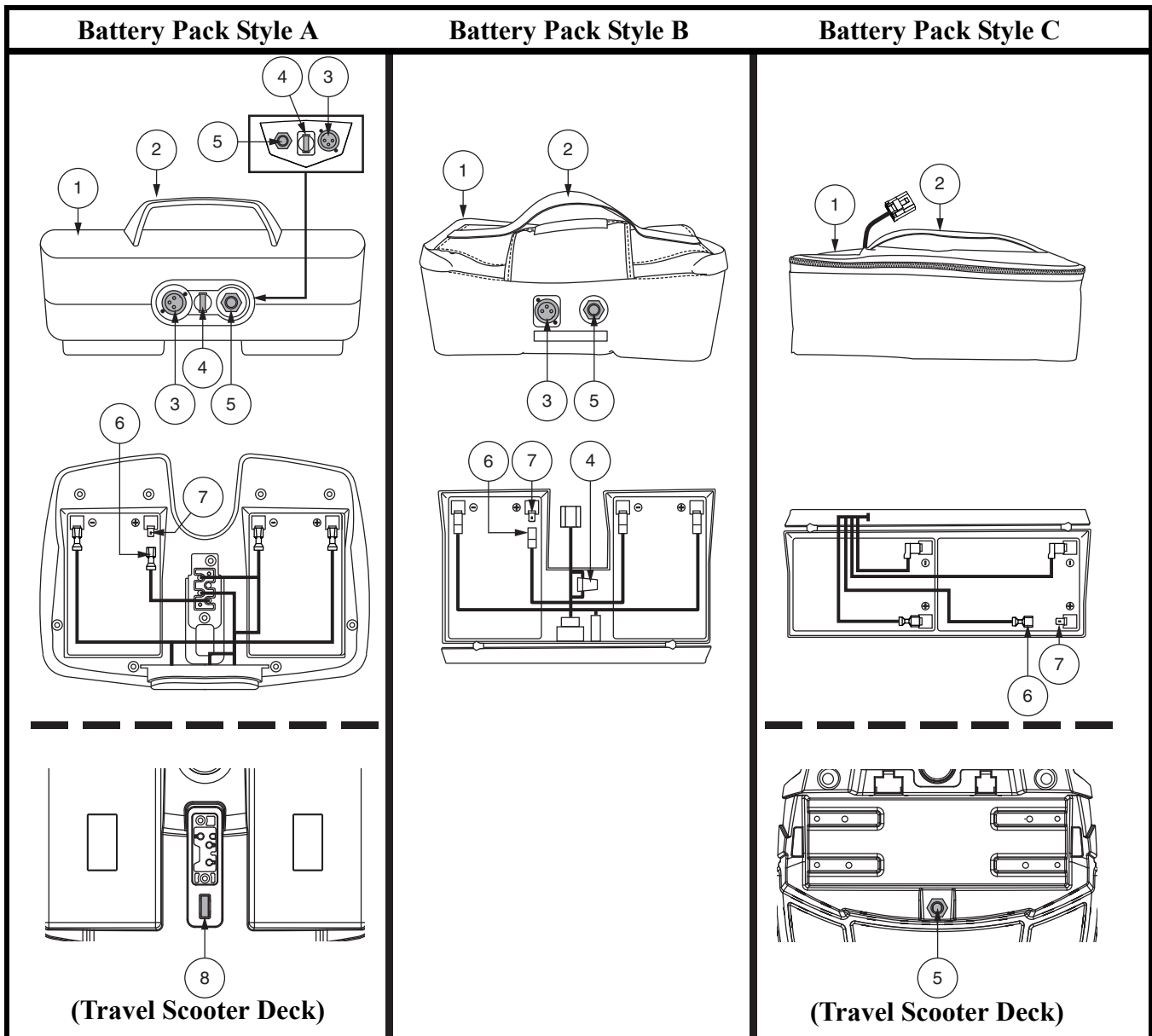


Figure 6. Battery Pack

II. YOUR TRAVEL SCOOTER

Charger Power Cord Receptacle

The 3-pin end of the charger power cord plugs into this receptacle. See figures 7 and 8.

TILLER CONSOLE FUSE (IF EQUIPPED)

The fuse located under the battery pack protects the tiller console electronics. See figure 6. In the event any component of the tiller console is not responding, check this fuse. See VII. “Basic Troubleshooting” for fuse replacement instructions.

OFF-BOARD BATTERY CHARGER

The off-board battery charger, when plugged into the charger power cord receptacle and a standard electrical outlet, charges the Travel Scooter’s batteries. See figure 9.

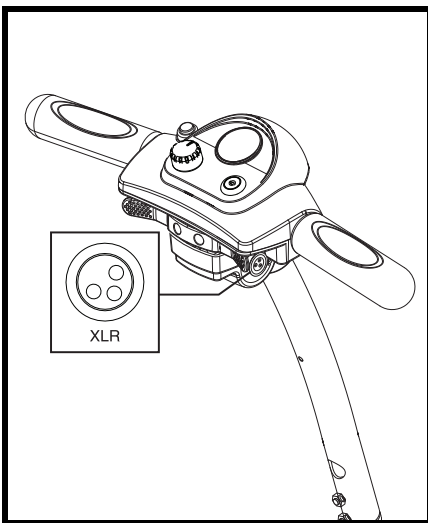


Figure 7. Charger Power Cord Receptacle (Tiller Mounted)

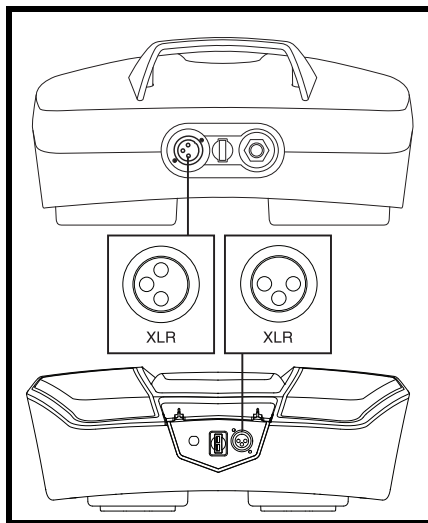


Figure 8. Charger Power Cord Receptacle (Battery Pack)

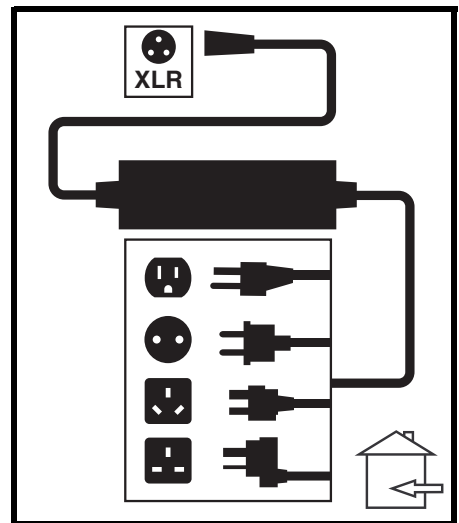


Figure 9. Off-board Battery Charger

SECUREMENT POINTS

Always secure the Travel Scooter in a forward-facing position in the vehicle. Attach the four tie-down straps to the designated securement points. See figure 10. Tighten the straps to sufficiently remove all slack. Never attach tie-downs to adjustable, moving, or removable parts of the Travel Scooter such as armrests, shrouds, and wheels. These items should be removed. Position the anchor points for the rear tie-down straps directly behind the rear securement points on the Travel Scooter. The front tie-down straps should anchor to floor points that are spaced wider than the Travel Scooter to provide increased lateral stability.



WARNING! Ensure Travel Scooters are properly secured to the motor vehicle during transport. Scooters that are not properly secured can become a hazard to the user and to other vehicle passengers in the event of a crash, sudden stopping, or swerving, as the Travel Scooter could tip or slide out of place.

II. YOUR TRAVEL SCOOTER

IDENTIFICATION KEY

1. Front Securement Points (3-wheel models)
 - 1a. Models 83 and 84 only
 - 1b. Models 36, 40X, 44X, 40E, 44E, 40LX, 44LX, 50LX, 54LX, 53, 53HD, 54, 54HD, 73, and 74
2. Front Securement Points (4-wheel models)
3. Rear Securement Points

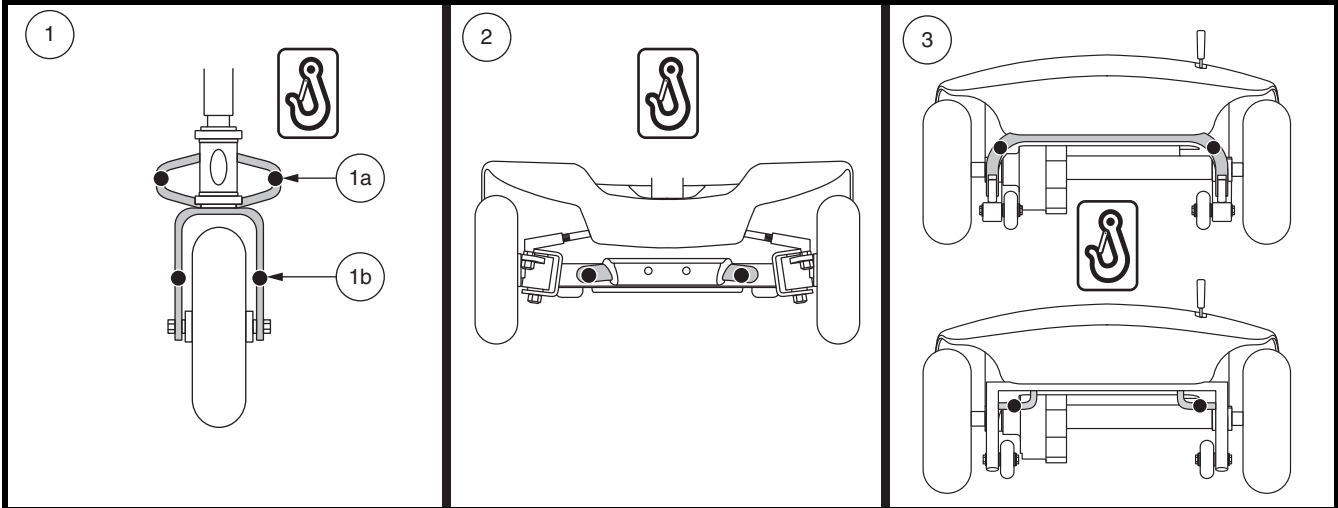


Figure 10. Securement Points (Identified with black dots)

SHROUD PANELS

On certain models, you can change the color of your Travel Scooter by removing the colored plastic shroud panel pieces and replacing them with one of the other supplied sets. The panels are held in place by a hook and loop reusable fastener. See **Travel Scooter Features Table (inside front cover)**.

To remove the shroud panel pieces:

1. Use your finger to locate the push hole behind each shroud piece.
2. Push through the hole to separate the piece from the Travel Scooter. See **figure 11**.

To remove the tiller console visor:

1. Gently pull the top of the visor away from the tiller console, then slowly lift it up and away from the tiller console. See **figure 12**.

To reinstall the shroud pieces, place each piece in its appropriate location and push with slight pressure to secure the reusable fastener.

NOTE: When installing the front and rear fender panels, make sure the tab at the bottom of each panel is inserted into the tab opening before securing the panel. See **figure 11**.

IDENTIFICATION KEY

1. Rear Fender Panel
2. Front Fender Panel

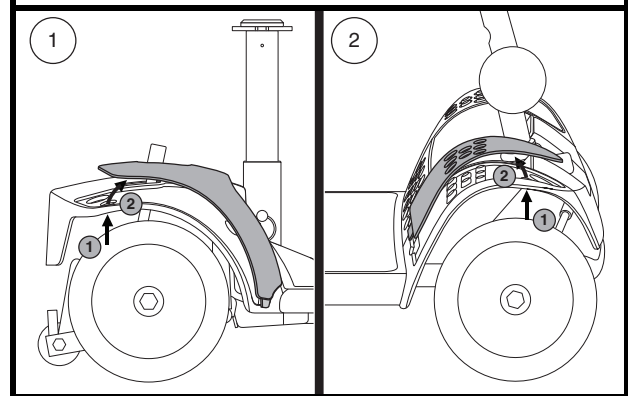


Figure 11. Fender Panels

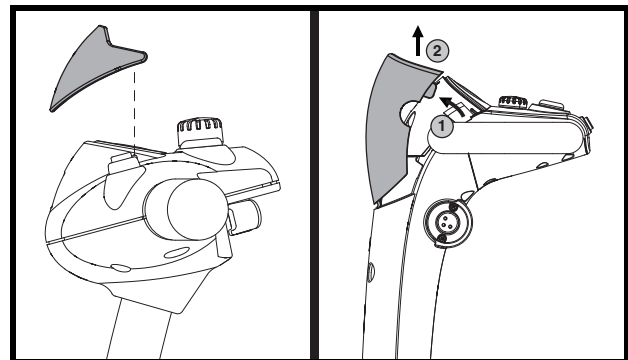


Figure 12. Tiller Console Visor

III. BATTERIES AND CHARGING

BATTERIES AND CHARGING

Your Travel Scooter requires two long-lasting, 12-volt, deep-cycle batteries that are sealed and maintenance free. They are recharged by the supplied off-board charging system.

- Charge your Travel Scooter's batteries for at least 8 to 14 hours prior to using it for the first time.
- Keep the batteries fully charged to keep your Travel Scooter running smoothly.

READING YOUR BATTERY VOLTAGE

The battery condition meter on the tiller console indicates the approximate strength of your batteries using a color code. From right to left on the meter, green indicates fully charged batteries, yellow a draining charge, and red indicates that an immediate recharge is necessary. See figure 13. To ensure the highest accuracy, the battery condition meter should be checked while operating your Travel Scooter at full speed on a dry, level surface.

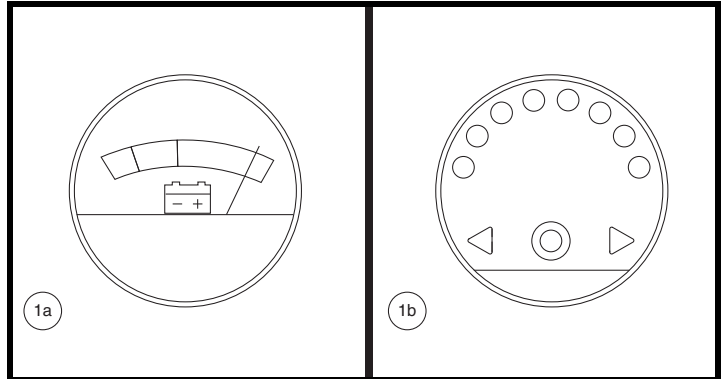


Figure 13. Battery Condition Meter

CHARGING YOUR BATTERIES

NOTE: With some models, the battery pack can be charged on or off the Travel Scooter. See Travel Scooter Features Table.



PROHIBITED! Removal of grounding prong can create electrical hazard. If necessary, properly install an approved 3-pronged adapter to an electrical outlet having 2-pronged plug access.



PROHIBITED! Never use an extension cord to plug in your battery charger. Plug the charger directly into a properly wired standard electrical outlet.



PROHIBITED! Do not allow unsupervised children to play near the Travel Scooter while the batteries are charging. We recommend that you do not charge the batteries while the Travel Scooter is occupied.



MANDATORY! Read the battery charging instructions in this manual and in the manual supplied with the battery charger before charging the batteries.



WARNING! Explosive gases may be generated while charging the batteries. Keep the Travel Scooter and battery charger away from sources of ignition such as flames or sparks and provide adequate ventilation when charging the batteries.

WARNING! You must recharge your Travel Scooter's batteries with the supplied off-board charger. Do not use an automotive-type battery charger.

WARNING! Inspect the battery charger, wiring, and connectors for damage before each use. Contact your authorized Provider if damage is found.



WARNING! Do not attempt to open the battery charger case. If the battery charger does not appear to be working correctly, contact your authorized Provider.

WARNING! If the battery charger is equipped with cooling slots, then do not attempt to insert objects through these slots.

WARNING! Be aware that the battery charger case may become hot during charging. Avoid skin contact and do not place on surfaces that may be affected by heat.

III. BATTERIES AND CHARGING



WARNING! If your battery charger has not been tested and approved for outdoor use, then do not expose it to adverse or extreme weather conditions. If the battery charger is exposed to adverse or extreme weather conditions, then it must be allowed to adjust to the difference in environmental conditions before use indoors. Refer to the manual supplied with the battery charger for more information.

Follow the 6 easy steps in figure 14 to charge your batteries safely:

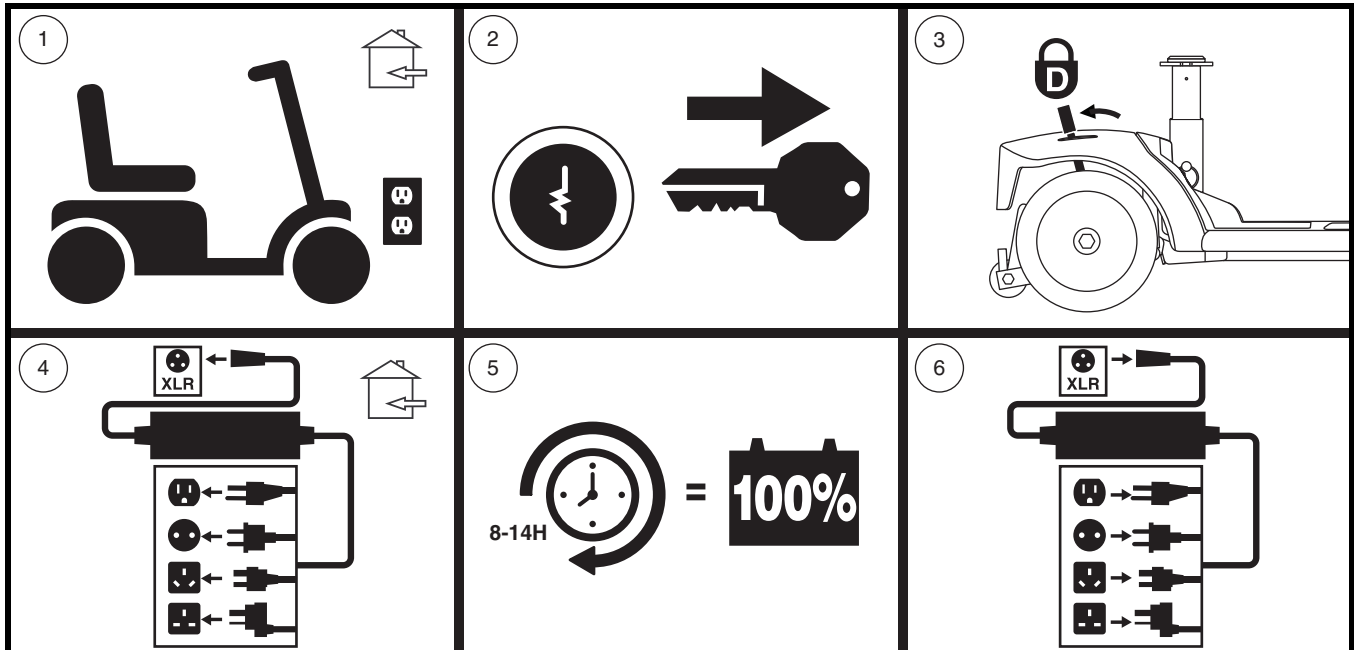


Figure 14. Battery Charging Procedures Diagram



WARNING! The LED lights on the charger indicate different charger conditions at various times. If the LED does not indicate that charging is complete within 24 hours, unplug the charger from the outlet and contact your Provider. Refer to the operating instructions supplied with the charger for a complete explanation of these indicators.

NOTE: There is a charger inhibit function on your Travel Scooter. The Travel Scooter will not run and the battery condition meter will not operate while the batteries are charging (when the battery pack is being charged on the Travel Scooter).

FREQUENTLY ASKED QUESTIONS

How does the charger work?

When your Travel Scooter's battery voltage is low, the charger works harder, sending more electrical current to the batteries to bring up their charge. As the batteries approach a full charge, the charger sends less and less electrical current. When the batteries are fully charged, the current sent from the charger is at nearly zero amperage. Therefore, when the charger is plugged in, it maintains the charge on your Travel Scooter's batteries, but does not overcharge them. Refer to the manual supplied with the battery charger for charging instructions.

Can I use a different charger?

Chargers are selected precisely for particular applications and are especially matched to the type, size, and chemical formulation of specific batteries. For the safest and most efficient charging of your Travel Scooter's batteries, we recommend use of the charger supplied as original equipment with your product only. Any charging method resulting in batteries being charged individually is especially prohibited.

III. BATTERIES AND CHARGING

What if my Travel Scooter's batteries will not charge?

- Ensure that the fuse on the battery pack is in working condition. See figure 6 or 7.
- Ensure both ends of the charger power cord are inserted fully.

How often must I charge the batteries?

Two major factors must be considered when deciding how often to charge your Travel Scooter's batteries:

- All day use on a daily basis.
- Infrequent or sporadic use.

With these considerations in mind, you can determine how often and for how long you should charge your Travel Scooter's batteries. The battery charger was designed so that it will not overcharge your Travel Scooter's batteries. However, you may encounter some problems if you do not charge your batteries often enough and if you do not charge them on a regular basis. Following the guidelines below will provide safe and reliable battery operation and charging.

- If you use your Travel Scooter daily, charge its batteries as soon as you finish using it for the day. Your Travel Scooter will be ready each morning. We recommend that you charge your Travel Scooter's batteries for at least 8 to 14 hours after daily use. We recommend that you charge the batteries for an additional 4 hours after the battery charger indicates that charging is complete.
- If you use your Travel Scooter once a week or less, charge its batteries at least once a week for at least 24 hours.

NOTE: Keep your batteries fully charged and avoid deeply discharging your batteries. Refer to the manual supplied with the battery charger for charging instructions. We recommend charging your batteries for at least 48 continuous hours once per month to improve battery performance and battery life.

How can I ensure maximum battery life?

Fully charged deep-cycle batteries provide reliable performance and extended battery life. Keep your Travel Scooter's batteries fully charged whenever possible. Protect your Travel Scooter and batteries from extreme heat or cold. Batteries that are regularly and deeply discharged, infrequently charged, stored in extreme temperatures, or stored without a full charge may be permanently damaged, causing unreliable performance and limited service life.

NOTE: To extend battery life, always turn off Travel Scooter and remove the key when not in use.

How can I get maximum range or distance per charge?

Rarely will you have ideal driving conditions—smooth, flat, hard driving surfaces with no wind or curves. Often, you will face hills, sidewalk cracks, uneven and loosely packed surfaces, curves, and wind, all of which affect the distance or running time per battery charge. Below are a few suggestions for obtaining the maximum range per battery charge.

- Always fully charge your Travel Scooter's batteries prior to daily use.
- Plan your route ahead to avoid as many hills, cracked, broken, or soft surfaces as possible.
- Limit your baggage weight to essential items.
- Try to maintain an even speed while your Travel Scooter is in motion.
- Avoid stop-and-go driving.
- We recommend charging your batteries for at least 48 continuous hours once per month to improve battery performance and battery life.
- Make sure all harness connections are secured properly.

III. BATTERIES AND CHARGING

What type and size of battery should I use?

Your Travel Scooter requires two deep-cycle batteries. We recommend only sealed, maintenance-free types such as AGM or Gel-Cell. Do not use wet-cell batteries, which have removable caps. Refer to the specifications table for size as batteries differ depending on manufacture.



WARNING! Corrosive chemicals are contained in batteries. Use only AGM or Gel-Cell batteries to reduce the risk of leakage or explosive conditions.

NOTE: *Sealed batteries are not serviceable. Do not remove the caps.*

Why do my new batteries seem weak?

Deep-cycle batteries employ a different chemical technology than that used in car batteries, nickel-cadmium batteries (nicads), and other common battery types. Deep-cycle batteries are specifically designed to provide power, drain down their charge, and then accept a relatively quick recharge (8 to 14 hours).

We work closely with our battery manufacturer to provide batteries that best suit your Travel Scooter's specific electrical demands. Fresh batteries are shipped fully charged to our customers. During shipping, the batteries may encounter temperature extremes that can influence their initial performance. Heat diminishes the charge on the battery; cold slows the available power and extends the time needed to recharge the battery.

It may take a few days for the temperature of your Travel Scooter's batteries to stabilize and adjust to their new room or ambient temperature. More importantly, it takes a few charging cycles (partial draining followed by full recharging) to establish the critical chemical balance that is essential to a deep-cycle battery's peak performance and long life.

Follow these steps to properly break in your Travel Scooter's new batteries for maximum efficiency and service life.

1. Fully recharge any new battery prior to its initial use. This charging cycle brings the battery up to about 88% of its peak performance level.
2. Operate your new Travel Scooter in familiar and safe areas. Drive slowly at first, and do not travel too far from your home or familiar surroundings until you have become accustomed to your Travel Scooter's controls and have properly broken in your Travel Scooter's batteries.
3. Fully recharge the batteries. They should be at over 90% of their peak performance level.
4. Operate your Travel Scooter again, then fully recharge the batteries.
5. After four or five charging cycles, the batteries are able to receive a charge of 100% of their peak performance level and are able to last for an extended period of time.

What about public transportation?

If you intend to use public transportation with your Travel Scooter, you must contact the transportation provider in advance to determine their specific requirements.

III. BATTERIES AND CHARGING

How do I change a battery in my Travel Scooter?



MANDATORY! Battery posts, terminals, and related accessories contain lead and lead compounds. Wear goggles and gloves when handling batteries and wash hands after handling.



WARNING! Always use two batteries of the exact same type, chemistry, and amp-hour (Ah) capacity. Refer to the product specifications insert and in the manual supplied with the battery charger for recommended type and capacities.

WARNING! Do not mix old and new batteries. Always replace both batteries at the same time.



WARNING! Contact your Provider if you have any questions regarding the batteries in your Travel Scooter.

WARNING! Do not replace the batteries while the Travel Scooter is occupied.

WARNING! The batteries on your Travel Scooter should only be serviced or replaced by an authorized Provider or a qualified technician.



PROHIBITED! Keep tools and other metal objects away from battery terminals. Contact with tools can cause electrical shock.

You may need the following to change your batteries:

- Metric/standard socket set and ratchet
- Adjustable wrench



WARNING! Do not lift beyond your physical capability. Ask for assistance when necessary while disassembling or assembling your scooter.

WARNING! Do not pull on electrical harness wires directly to detach them from the Travel Scooter. Always grasp the connector itself when disconnecting the harness to prevent wire damage.

To change batteries in Battery Pack Style A (see figure 6):

1. Remove the battery pack from the Travel Scooter.
2. Carefully turn the pack upside down.
3. Remove the screws from the perimeter of the battery pack.
4. Carefully turn the pack right side up and remove the lid.
5. Disconnect the black (-) and red (+) battery cables from the battery terminals of each battery.
6. Remove the old batteries.
7. Place the new batteries into the battery pack.
8. Connect the red battery cable to the positive (+) battery terminal of each battery.
9. Connect the black battery cable to the negative (-) battery terminal of each battery.
10. Position the lid back onto the battery pack ensuring all wires are inside the pack so they don't become pinched.
11. Carefully turn the pack upside down.
12. Reinstall all screws and tighten.

III. BATTERIES AND CHARGING

NOTE: Some batteries require the removal of a nut and bolt when disconnecting the battery cable from the battery terminal. See figure 15.

To change batteries in Battery Pack Style B (see figure 6):

1. Disconnect the battery harness and remove the battery pack from the Travel Scooter. See figure 16.
2. Unzip the battery pack to expose the batteries.
3. Disconnect the black (-) and red (+) battery cables from the battery terminals of each battery.
4. Remove the old batteries.
5. Place the new batteries into the battery pack.
6. Connect the red battery cable to the positive (+) battery terminal of each battery.
7. Connect the black battery cable to the negative (-) battery terminal of each battery.
8. Completely zip the battery pack.
9. Reinstall the battery pack and connect the battery harness.

To change batteries in Battery Pack Style C (see figure 6):

1. Remove the seat and rear shroud.
2. Disconnect the battery harnesses and tie-down strap then remove the battery pack from the Travel Scooter. See figure 16.
3. Unzip the battery pack to expose the batteries.
4. Disconnect the black (-) and red (+) battery cables from the battery terminals of each battery.
5. Remove the old batteries.
6. Place the new batteries into the battery pack.
7. Connect the red battery cable to the positive (+) battery terminal of each battery.
8. Connect the black battery cable to the negative (-) battery terminal of each battery.
9. Completely zip the battery pack closed.
10. Reinstall the battery pack then connect the battery harnesses and battery tie-down strap.
11. Reinstall the rear shroud and seat.

NOTE: If you encounter a damaged or cracked battery, immediately enclose it in a plastic bag and contact your local waste disposal agency or authorized Provider for instructions on disposal and battery recycling which is our recommended course of action.

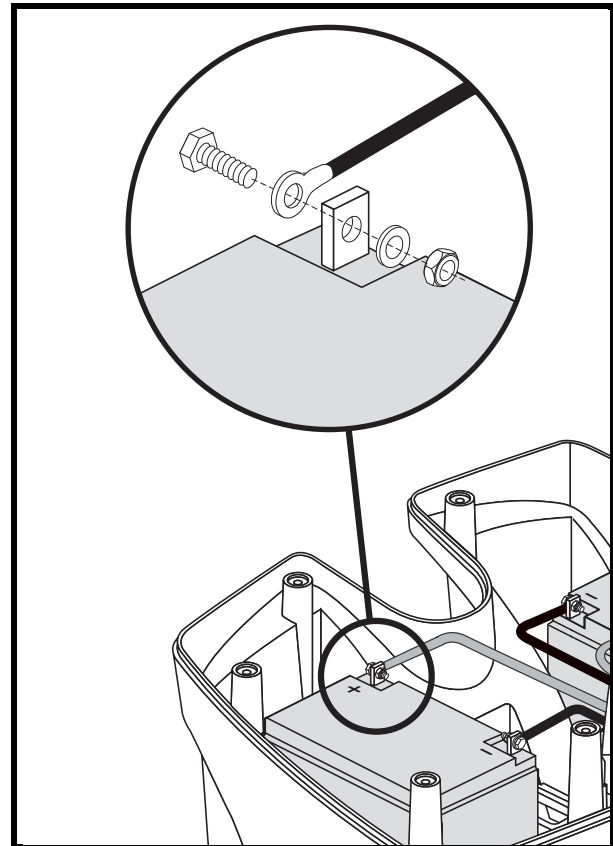


Figure 15. Disconnecting the Battery Cable on a 17-22 Ah Battery Box

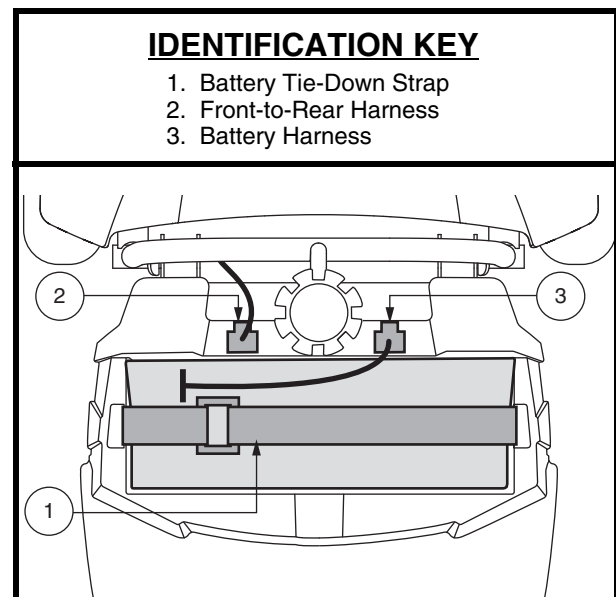


Figure 16. Battery Tie-down Strap

IV. OPERATION

BEFORE GETTING ONTO YOUR TRAVEL SCOOTER

- Have you fully charged the batteries? See III. “Batteries and Charging.”
- Is the manual freewheel lever in the drive (rearward) position? Never leave the manual freewheel lever in the forward position unless you are manually pushing your Travel Scooter.
- Ensure the tiller lock knob is in the unlocked position. See VI. “Disassembly and Assembly.”

GETTING ONTO YOUR TRAVEL SCOOTER

1. Make certain that the key is removed from the key switch.



WARNING! Never attempt to get onto or off of your Travel Scooter without first removing the key from the key switch. This will prevent the Travel Scooter from moving if accidental throttle control lever contact is made.

2. Stand at the side of your Travel Scooter.
3. Disengage the seat rotation lever and rotate the seat until it is facing you.
4. Make certain that the seat is secured into position.
5. Position yourself comfortably and securely in the seat.
6. Disengage the seat rotation lever and rotate the seat until you are facing forward.
7. Make certain that the seat is secured into position.
8. Make certain that your feet are safely on the floorboard.

PRE-RIDE ADJUSTMENTS AND CHECKS

- Is the seat at the proper height? See V. “Comfort Adjustments.”
- Is the seat secured into place?
- Is the tiller at a comfortable setting and secured into place? See V. “Comfort Adjustments.”
- Is the key fully inserted into the key switch and turned clockwise to the “on” position?
- Does the Travel Scooter’s horn work properly?
- Is your proposed path clear of people, pets, and obstacles?
- Have you planned your route to avoid adverse terrain and as many inclines as possible?

OPERATING YOUR TRAVEL SCOOTER

WARNING! The following can adversely affect steering and stability while operating your Travel Scooter:



- **Holding onto or attaching a leash to walk your pet.**
- **Carrying passengers (including pets).**
- **Hanging any article from the tiller.**
- **Towing or being pushed by another motorized vehicle.**

WARNING! Keep both hands on the tiller and your feet on the floorboard at all times while operating your Travel Scooter. This driving position gives you the most control over your vehicle.

- Set the speed adjustment dial to your desired speed.
- Press your thumb against the appropriate side of the throttle control lever.
- The electromechanical disc park brake automatically disengages and the Travel Scooter accelerates smoothly to the speed you preselected with the speed adjustment dial.
- Pull on the left handgrip to steer your Travel Scooter to the left.
- Pull on the right handgrip to steer your Travel Scooter to the right.
- Move the tiller to the center position to drive straight ahead.
- To stop, slowly release the throttle control lever. The electronic brakes will automatically engage when your Travel Scooter comes to a stop.

IV. OPERATION

NOTE: Your Travel Scooter's reverse speed is slower than that of the forward speed you preset with the speed adjustment dial.

GETTING OFF OF YOUR TRAVEL SCOOTER

1. Bring your Travel Scooter to a complete stop.
2. Remove the key from the key switch.



WARNING! Never attempt to get onto or off of your Travel Scooter without first removing the key from the key switch. This will prevent the Travel Scooter from moving if accidental throttle control lever contact is made.

3. Disengage the seat rotation lever and rotate the seat until you are facing toward the side of your Travel Scooter.
4. Make certain that the seat is secured into position.
5. Carefully and safely get out of the seat and stand to the side of your Travel Scooter.
6. You can leave the seat facing to the side to facilitate boarding your Travel Scooter next time.

POWER DOWN TIMER FEATURE

Your Travel Scooter is equipped with an energy saving automatic power down timer feature designed to preserve your Travel Scooter's battery life. If you mistakenly leave the key in the key switch and in the "on" position but do not use your Travel Scooter for approximately 20 minutes, the Travel Scooter's controller shuts down automatically.

If the power down timer feature takes effect, perform the following steps to resume normal operation.

1. Remove the key from the key switch.
2. Reinsert the key and power up your Travel Scooter.

V. COMFORT ADJUSTMENTS

TILLER ANGLE ADJUSTMENT (See figure 17)



WARNING! Remove the key from the key switch before adjusting the tiller or the seat. Never attempt to adjust the tiller or the seat while the Travel Scooter is in motion.

NOTE: In order to fully lower the tiller, you must first remove the seat and battery pack. Remove the seat by pulling it straight up and off of the Travel Scooter.

SEAT ROTATION ADJUSTMENT

The seat rotation lever, located on the right side of the seat base, secures the seat into several positions. See figure 18.

1. Pull up on the seat rotation lever to disengage the seat.
2. Rotate the seat to the desired position.
3. Release the lever to secure the seat into place.

ARMREST WIDTH ADJUSTMENT

The armrest width can be adjusted inward or outward.

1. Loosen the armrest adjustment knobs. See figure 18.
2. Use the attached ring to pull and remove the detent pins.
3. Slide the armrests in or out to the desired width.
4. Align the adjustment holes on the seat frame and armrest, then reinsert the detent pins.
5. Tighten the armrest adjustment knobs.

NOTE: Pivot the armrests upward to aid in getting onto and off of your Travel Scooter.

SEAT HEIGHT ADJUSTMENT

The seat can be repositioned to different heights. See figure 19.

1. Remove the seat and battery pack from your Travel Scooter.
2. Use the attached ring to pull and remove the detent pin from the lower seat post.
3. Raise or lower the upper seat post to the desired seat height.
4. While holding the upper seat post at that height, align the adjustment holes of the upper and lower seat posts.
5. Fully insert the detent pin.
6. Replace the battery pack and seat.

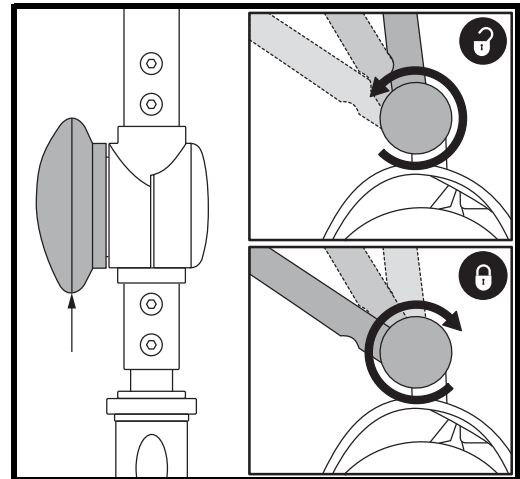


Figure 17. Tiller Adjustment Knob

IDENTIFICATION KEY

1. Armrest Adjustment Knobs
2. Detent Pins
3. Seat Rotation Lever

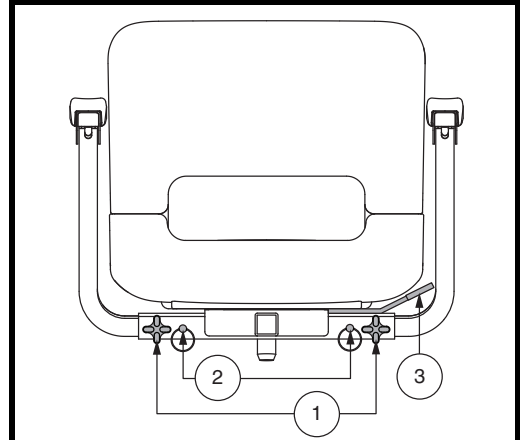


Figure 18. Seat Adjustments

IDENTIFICATION KEY

1. Upper Seat Post
2. Lower Seat Post
3. Detent Pin

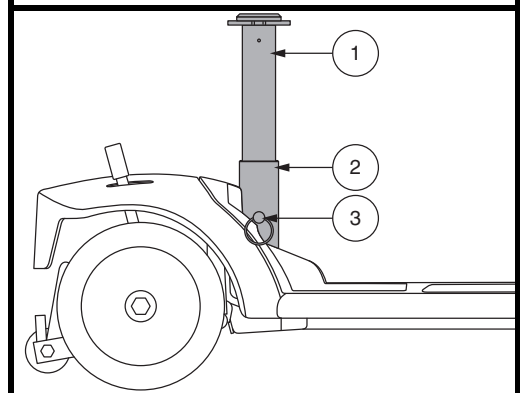


Figure 19. Seat Height Adjustment

V. COMFORT ADJUSTMENTS

SEAT SUSPENSION ADJUSTMENT (IF EQUIPPED)

The seat post acts as a shock absorber and can be adjusted for different degrees of ride comfort. Use the setscrews that are visible through the adjustment window on the side of the post as a guide when making adjustments. Slide the rubber boot towards the top of the post to expose the setscrews. See **figure 20**.

To make seatpost adjustments:

1. Remove the seat from the Travel Scooter.
2. Remove the upper seat post from the Travel Scooter by removing the detent pin from the lower portion of the seat post, then lifting the post straight up and off the Travel Scooter. See **figure 19**.
3. Insert a 13 mm socket with an extension into the bottom of the post. See **figure 20**.
4. Rotate clockwise to soften the ride or rotate counterclockwise to stiffen the ride.
5. Reinstall the seat post and seat.

POSITIONING BELT (OPTIONAL)

Your scooter seat may be equipped with an auto-type positioning belt that can be adjusted for operator comfort. See **figure 22 or 23**. The positioning belt is designed to help support the operator so that he or she does not slide down or forward in the seat. The positioning belt is not designed for use as a restraining device.



WARNING! The positioning belt should be secured at all times. Never allow the positioning belt to hang or drag on the floor as it may become entangled.

To install the positioning belt (if required):

1. Remove the seat from your scooter.
2. Place the seat upside down so that you can see the bottom of the seat base. See **figure 21**.
3. Use a wrench to remove the two rear bolts on the outermost part of the seat frame.
4. Insert the bolt through the appropriate ends of the positioning belt and then reinstall the bolts back into the seat frame.
5. Tighten the bolts.

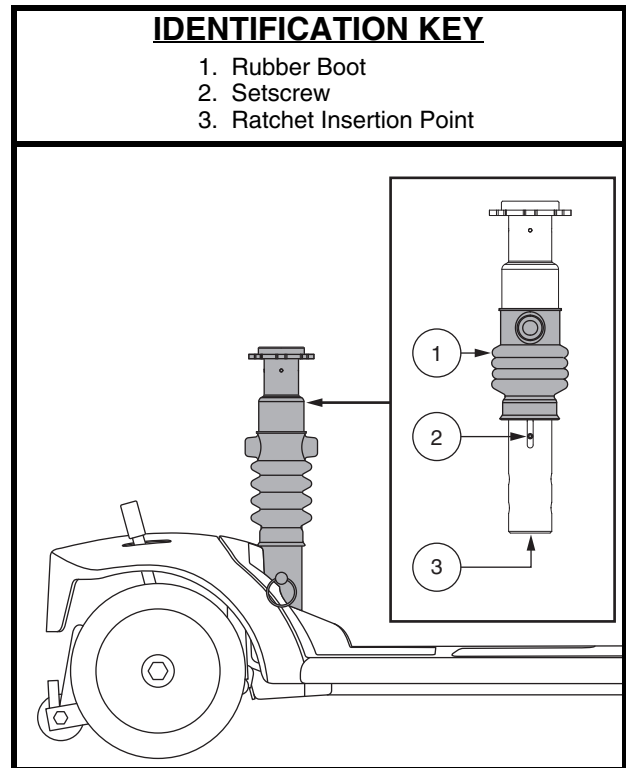


Figure 20. Seat Suspension Adjustment

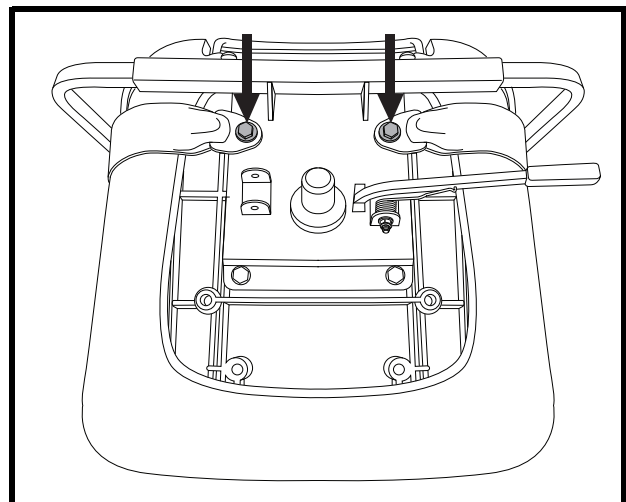


Figure 21. Positioning Belt Bolts

V. COMFORT ADJUSTMENTS

Metal tab style positioning belt

To adjust the positioning belt for operator comfort:

1. Insert the metal tab on the right side of the belt into the plastic housing on the opposite strap until you hear a “click.” See figure 22.
2. Pull the strap on the right side of the belt until it is secure, but not so tight as to cause discomfort.

To release the positioning belt:

1. Press the push button mechanism on the plastic housing.

Reusable hook and loop fastener style positioning belt

To adjust the positioning belt for operator comfort:

1. Align the two sides of the belt placing the looped-end side directly above the coarser side (“hook”) of the opposite belt. Press firmly together to fasten. See figure 23.

To release the positioning belt:

1. Grasp the looped-end side of the belt and pull up to detach from the other side of the belt.

MANDATORY! Make sure the positioning belt is properly secured to the scooter and is adjusted for operator comfort before each use.



MANDATORY! Inspect the positioning belt for loose parts or damage, including tears, worn spots, bent hardware, or damaged latch mechanisms, dirt or debris, before each use of the scooter. If you discover a problem, contact your authorized Provider for maintenance and repair.

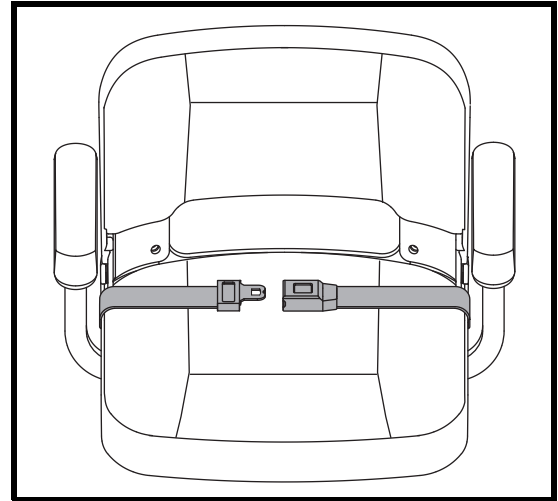


Figure 22. Positioning Belt - Metal Tab Style

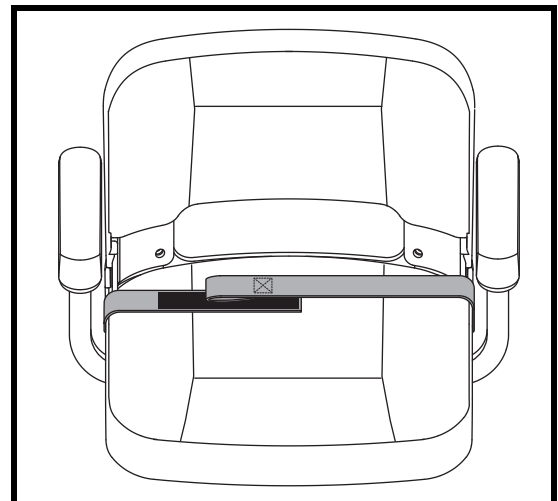


Figure 23. Positioning Belt - Reusable Hook and Loop Fastener Style

VI. DISASSEMBLY AND ASSEMBLY

DISASSEMBLY

You can disassemble the Travel Scooter into several pieces: the seat, the rear section, the front section, the basket, the battery pack, and the battery shroud (models 83 and 84 only). See **figure 24**. No tools are required to disassemble or assemble your Travel Scooter. Always disassemble or assemble your Travel Scooter on a level, dry surface with sufficient room for you to work and move around—about 5 feet (1.5 meters) in all directions. Remember that some Travel Scooter components are heavy and you may need assistance when lifting them.



WARNING! Do not lift weight beyond your physical capability. Ask for assistance when necessary while disassembling or assembling your Travel Scooter.

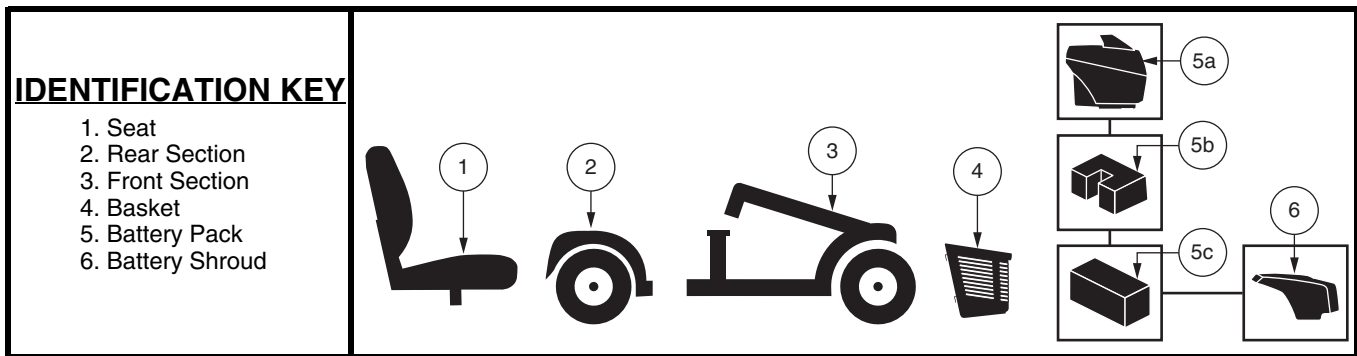


Figure 24. Disassembled Travel Scooter

Disassembly Procedures - Models 36, 83, and 84

1. Remove the key from the key switch.
2. Lock the tiller in the straight ahead position by pushing the tiller lock knob in and turning it clockwise 90°. See **figure 25**. The front wheel must face forward in order to lock the tiller.
3. Remove the seat by lifting it straight up and off of the Travel Scooter. If you encounter resistance when removing the seat, disengage the seat rotation lever and swivel the seat back and forth while lifting up on the seat.
4. Remove the rear shroud by lifting it straight up and off of the Travel Scooter. (Models 83/84 only).
5. Disconnect the battery harness. See **figure 16**.
6. Disconnect the front-to-rear harness. See **figure 16**.
7. Disconnect the battery tie-down strap. (Models 83/84 only). See **figure 16**.
8. Remove the battery pack from the Travel Scooter by lifting it straight up and off of the Travel Scooter.

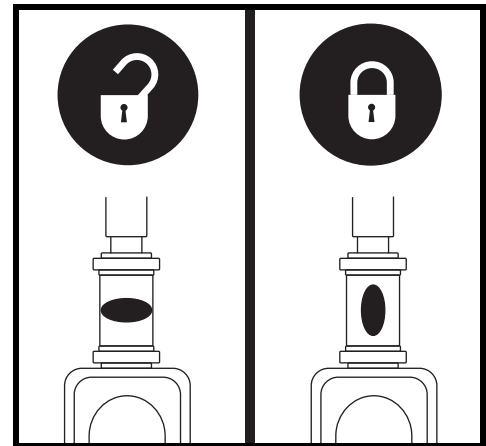


Figure 25. Tiller Lock Knob

Disassembly Procedures - Models 40X, 44X, 40E, 44E, 40LX, 44LX, 50LX, 54LX, 53, 53HD, 54, 54HD, 73, and 74

1. Remove the key from the key switch and then lock the tiller in the straight ahead position by pushing the tiller lock knob in and turning it clockwise 90°. See **figure 25**. The front wheel must face forward in order to lock the tiller.
2. Remove the seat by lifting it straight up and off of the Travel Scooter. If you encounter resistance when removing the seat, disengage the seat rotation lever and swivel the seat back and forth while lifting up on the seat.
3. Remove the battery pack by lifting the pack straight up and off of the Travel Scooter.

VI. DISASSEMBLY AND ASSEMBLY

NOTE: Please check the Travel Scooter Features Table on the inside of the front cover to determine if your Travel Scooter has a frame release lever or a lock-up pin before attempting to separate the frame.

Frame Separation

1. With the seat and battery pack removed (see Disassembly Procedures on previous page), lower the tiller and tighten the tiller adjustment knob. See figure 17.
2. Remove the frame lock-up pin. (Models 36, 83, and 84 only.)
3. Lift up on the frame release lever, (**OR, lift the seat post for models 36, 83, and 84**) and pivot the rear section backwards, until the frame hooks are no longer resting on the lower frame tube.
4. Slowly separate the two sections of the Travel Scooter. See figure 26.

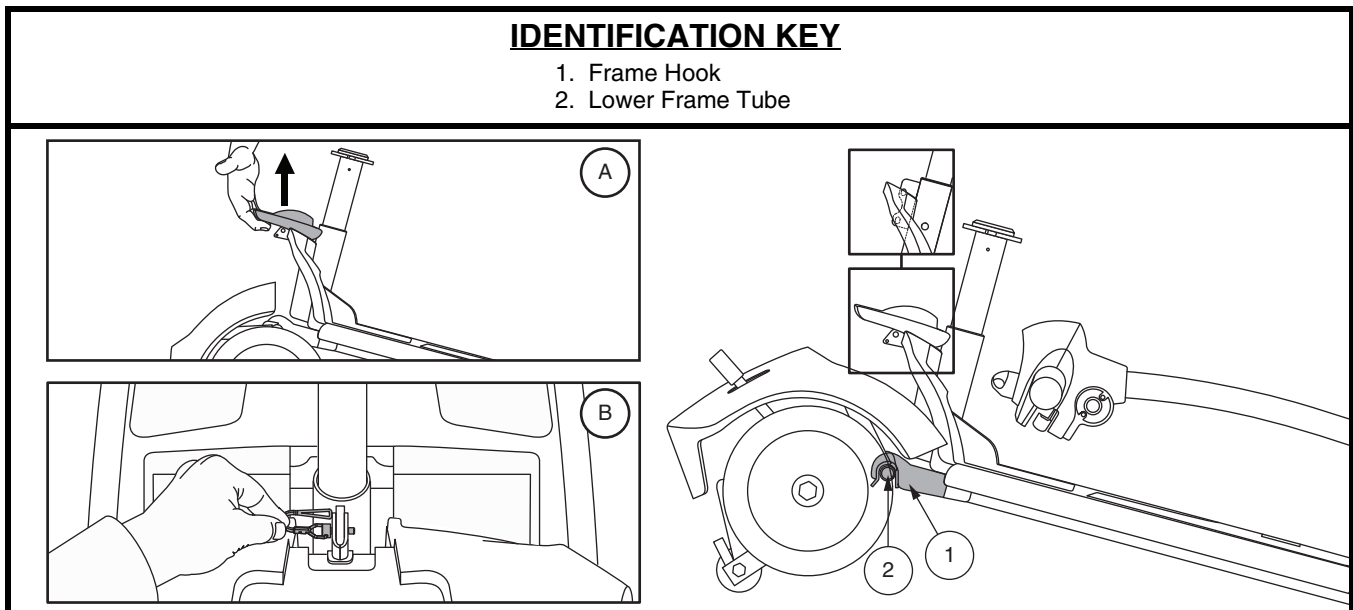


Figure 26. Frame Release Lever (Style A) and Frame Release Lock-up Pin (Style B)

ASSEMBLY

NOTE: Before attempting assembly, tilt the rear half of the Travel Scooter slightly back on the anti-tip wheels as shown in figure 26.

1. Use the frame release lever (or the seat post for models 36, 83, and 84 only) to lift the front section as you align the frame hooks of the front section with the lower frame tube of the rear section. See figure 26.
2. Once the frame hooks are over the lower frame tube, lower the front section and pivot the rear section simultaneously. This will engage the frame lock-up automatically for models 40X, 44X, 40E, 44E, 40LX, 44LX, 50LX, 54LX, 53, 53HD, 54, 54HD, 73, and 74. For models 36, 83, and 84, you will also need to reinstall the frame lockup pin to complete the body assembly. See figure 26.
3. Raise the tiller and fully tighten the tiller adjustment knob. See figure 17.
4. Reinstall the battery pack. For models 36, 83, and 84, make sure to reconnect the battery and front-to-rear harnesses.
5. Reinstall the seat and rotate it until it is secured into place.
6. Unlock the tiller by turning the tiller lock knob 90° counterclockwise. See figure 25.



WARNING! After assembly, make absolutely certain the tiller lock knob is in the unlocked position before riding your Travel Scooter.

VII. BASIC TROUBLESHOOTING

Any electromechanical device occasionally requires some troubleshooting. However, most of the problems that may arise can usually be solved with a bit of thought and common sense. Many of these problems occur because the batteries are not fully charged or because the batteries are worn down and can no longer hold a charge.

DIAGNOSTIC BEEP CODES

The diagnostic beep codes for your Travel Scooter are designed to help you perform basic troubleshooting quickly and easily. A diagnostic beep code will sound in the event one of the conditions listed below develops. Depending on the model you own, your Travel Scooter will communicate by one of the coding methods as follows:

1. A beep code will begin with a series of fast beeps directly followed by slower beeps which indicates the actual code. The beep code is only beeped once. To repeat the beep code, remove the key, then reinsert it and turn it to the “on” position, **OR**
2. A beep code will identify the condition, pause, then repeat the beep code. The beep code will continue to alert you in this manner until the scooter is turned off.

NOTE: *Your Travel Scooter will not run unless the beep code condition is resolved and the Travel Scooter has been turned off, then turned back on.*

BEEP CODE	CONDITION	SOLUTION
■ (1)	Battery voltage is too low to operate the Travel Scooter.	Charge batteries as soon as possible.
■ ■ (2)	Battery charge is too low.	Charge batteries.
■ ■ ■ (3)	The Travel Scooter's battery voltage is too high to operate the scooter, or the charger is still connected to the off-board charger port.	Unplug charger and/or turn key off, then back on again. If traveling down a slope, reduce Travel Scooter speed to the minimum setting.
■ ■ ■ ■ (4)	Current limit time out.	Turn the Travel Scooter off for a few minutes, then turn your Travel Scooter back on.
■ ■ ■ ■ ■ (5)	The manual freewheel lever is in the (forward) freewheel position.	Remove the key from the key switch, then push the manual freewheel lever to the drive (rearward) position and restart your Travel Scooter.
■ ■ ■ ■ ■ ■ (6)	Throttle control lever not at center position at start up.	Verify that the batteries are fully charged. If the batteries are fully charged, then return the throttle control lever to center position, turn Travel Scooter off then back on.
■ ■ ■ ■ ■ ■ ■ (7)	Speed pot error.	Contact your authorized Provider for assistance.
■ ■ ■ ■ ■ ■ ■ ■ (8)	Motor volts error.	Contact your authorized Provider for assistance.
■ ■ ■ ■ ■ ■ ■ ■ ■ (9)	Other internal errors.	Contact your authorized Provider for assistance.

What if my Travel Scooter does not move when I press the throttle control lever?

- When the manual freewheel lever is pushed forward, the brakes are disengaged and all power to the motor/transaxle assembly is cut.
- Pull back on the manual freewheel lever, turn the Travel Scooter off, and then back on to return to normal operation.

VII. BASIC TROUBLESHOOTING

What if all the systems on my Travel Scooter seem to be “dead”?

- Make certain that the key is in the “on” position.
- Check that the batteries are fully charged.
- Push in the main circuit breaker reset button. See II. “Your Travel Scooter.”
- Make certain that the battery pack is seated properly.
- Make certain that the battery and front-to-rear harnesses are connected properly. (Models 36, 83, and 84 only.)
- Be sure the power down timer feature has not been activated. See IV. “Operation.”
- Check the tiller console fuse located under the battery pack.

To check a fuse:

1. Remove the fuse by pulling it out of its slot.
2. Examine the fuse to be sure it is blown. See **figure 27**.
3. Insert a new fuse of the proper rating.



WARNING! The replacement fuse must exactly match the rating of the old fuse. Failure to use properly rated and approved fuses may cause damage to the electrical system.

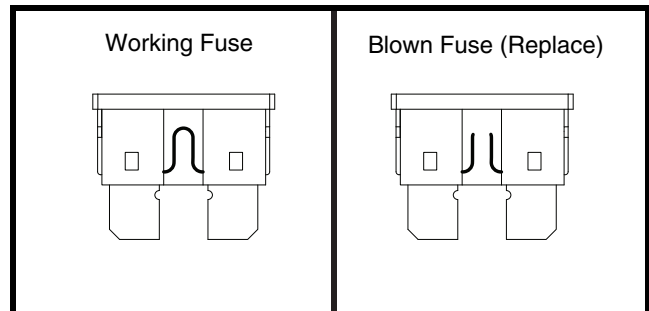


Figure 27. Fuse Replacement

What if the Travel Scooter’s batteries won’t charge?

- Check the fuse located on the battery pack or the console. Replace if necessary.
- During the charging process, if the charger LEDs never indicate a full charge, check the fuse located on the battery pack or the console. Replace if necessary, or have your authorized Provider or qualified technician check and/or replace the fuse.
- Ensure both ends of the charger power cord are connectly properly.
- If the battery pack fuse continually blows, contact your authorized Provider for service.

What if the main circuit breaker repeatedly trips?

- If the main circuit breaker trips repeatedly, see your authorized Provider for service.
- Charge the Travel Scooter’s batteries more frequently. See III. “Batteries and Charging.”
- If the problem continues, have both of your Travel Scooter’s batteries load tested by your authorized Provider.
- You may also perform the load test yourself. Battery load testers are available at most automotive parts stores.
- Follow the directions supplied with the load tester.
- See III. “Batteries and Charging” or “Product Specifications Sheet” for information about your Travel Scooter’s battery type.

What if the battery condition meter dips way down and the motor surges or hesitates when I press the throttle control lever?

- Fully charge your Travel Scooter’s batteries. See III. “Batteries and Charging.”
- Have your authorized Provider load test each battery.
- Or, see the previous troubleshooting question for load testing the batteries yourself.

If you experience any problems with your Travel Scooter that you are not able to solve, immediately contact your authorized Provider for information, maintenance, and service.

VIII. CARE AND MAINTENANCE

Your Travel Scooter requires a minimal amount of care and maintenance. If you do not feel confident in your ability to perform the maintenance listed below, you may schedule inspection and maintenance at your authorized Provider. The following areas require periodic inspection and/or care and maintenance.

TIRES

Regularly inspect your Travel Scooter's tires for signs of damage or wear.

WHEEL REPLACEMENT

Your Travel Scooter is equipped with solid tire inserts. If you have a damaged or worn tire, the entire wheel must be replaced. Contact your authorized Provider for information regarding replacement wheels for your Travel Scooter.



WARNING! Wheels on your Travel Scooter should only be serviced/replaced by a qualified technician.

WARNING! Be sure that the key is removed from the key switch and the scooter is not in freewheel mode before performing this procedure.

Follow these easy steps for a quick and safe repair for solid tires:

1. Remove the key from the key switch and ensure your Travel Scooter is not in freewheel mode.
2. Elevate the side of the Travel Scooter of which you are removing the tire. Place wooden blocks under the frame to elevate the Travel Scooter.
3. Remove the drive wheel nut and washer from the axle. **See figure 28.**
4. Pull the wheel off the axle.
5. Slide the new wheel onto the axle. Make sure the the axle key is in the axle slot.



WARNING! Ensure that the axle key is properly installed into the axle slot when mounting the wheel. If not installed securely, the braking system is disengaged which may cause personal injury and/or product damage may result.

6. Reinstall the washer and drive wheel nut onto the axle and tighten.



WARNING! Make sure that both the nut and washer are reinstalled and tightened properly.

7. Remove the blocks from beneath the Travel Scooter.

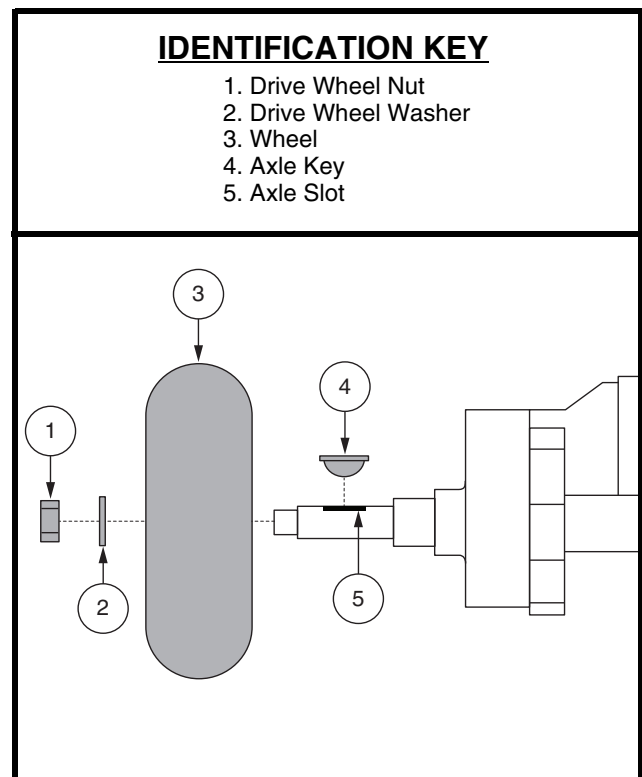


Figure 28. Wheel Replacement

VIII. CARE AND MAINTENANCE

EXTERIOR SURFACES

Bumpers, tires, and trim can benefit from an occasional application of a rubber or vinyl conditioner.



WARNING! Do not use a rubber or vinyl conditioner on the Travel Scooter's vinyl seat or tire tread. They will become dangerously slippery.

CLEANING AND DISINFECTION

- Use a damp cloth and mild, non-abrasive cleanser to clean the plastic and metal parts of your Travel Scooter. Avoid using products that may scratch the surface of your Travel Scooter.
- If necessary, clean your product with an approved disinfectant. Make sure the disinfectant is safe for use on your product before application.



WARNING! Follow all safety instructions for the proper use of the disinfectant and/or cleaning agent before applying it to your product. Failure to comply may result in skin irritation or premature deterioration of upholstery and/or Travel Scooter finishes.

BATTERY TERMINAL CONNECTIONS

Make certain that the terminal connections remain tight and are not corroded.

WIRING HARNESSSES

- Regularly check all wiring connections.
- Regularly check all wiring insulation, including the charger power cord, for wear or damage.
- Have your authorized Provider repair or replace any damaged connector, connection, or insulation that you find before using your Travel Scooter again.



PROHIBITED! Even though the Travel Scooter has passed the necessary testing requirements for ingress of liquids, you should keep electrical connections away from sources of dampness, including direct exposure to water or bodily fluids and incontinence. Check electrical components frequently for signs of corrosion and replace as necessary.



WARNING! Do not pull on electrical harnesses directly to detach them from the scooter. Always grasp the connector itself when disconnecting the harness to prevent wire damage.

ABS PLASTIC SHROUDS

The shroud pieces are formed from durable plastic and may be coated with an advanced formula urethane paint. A light application of car wax will help the shrouds retain their high gloss.

AXLE BEARINGS AND THE MOTOR/TRANSAXLE ASSEMBLY

These items are all prelubricated, sealed, and require no subsequent lubrication.

MOTOR BRUSHES

The motor brushes are housed inside of the motor/transaxle assembly. They should be inspected periodically for wear by your authorized Provider.

CONSOLE, CHARGER AND REAR ELECTRONICS

- Keep these areas free of moisture.
- Allow these areas to dry thoroughly if they have been exposed to moisture before operating your Travel Scooter again.

VIII. CARE AND MAINTENANCE

NYLON LOCK NUT REPLACEMENT

Any nylon insert lock nut removed during the periodic maintenance, assembly, or disassembly of the Travel Scooter must be replaced with a new nut. Nylon insert lock nuts should not be reused as it may cause damage to the nylon insert, resulting in a less secure fit. Replacement nylon insert lock nuts are available at local hardware stores or through your authorized Provider.

STORING YOUR TRAVEL SCOOTER

If you plan on not using your Travel Scooter for an extended period of time, it is best to:

- Fully charge its batteries prior to storage.
- Remove the battery pack from the Travel Scooter.
- Store your Travel Scooter in a warm, dry environment.
- Avoid storing your Travel Scooter where it will be exposed to temperature extremes.
- Recommended storage temperature: -104°F/-75°C to 158°F/70°C.

Batteries that are regularly and deeply discharged, infrequently charged, stored in extreme temperatures, or stored without a full charge may be permanently damaged, causing unreliable performance and limited service life. It is recommended that you charge the Travel Scooter batteries periodically throughout periods of prolonged storage to ensure proper performance.



WARNING! Always protect batteries from freezing temperatures and never charge a frozen battery. Charging a frozen battery can result in damage to the battery.

For prolonged storage, you may wish to place several boards under the frame of your Travel Scooter to raise it off of the ground. This takes the weight off the tires and reduces the possibility of flat spots developing on the areas of the tires contacting the ground.

DISPOSAL OF YOUR TRAVEL SCOOTER

Your Travel Scooter must be disposed of according to applicable local and national statutory regulations. Contact your local waste disposal agency or authorized Provider for information on proper disposal of packaging, metal frame components, plastic components, electronics, batteries, neoprene, silicone, and polyurethane materials.



MONTAGE



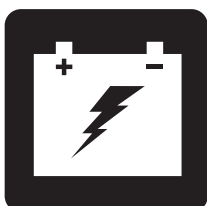
FONCTIONNEMENT



CONFORT



ENTRETIEN




RECHARGE DES BATTERIES



TRAVEL SCOOTER SERIE

MANUEL DE L'UTILISATEUR

TABLE DES CARACTERISTIQUES DU TRAVEL SCOOTER

Modèle	Style de console				Style de batterie			Recharge des batteries		Style de châssis verrouillé		Les Options *			
		A	B	C	D	A	B	C	Unité allumée	Unité éteinte	A (Lever de déverrouillage)	B (Goupille de verrouillage)	Mât suspension du siège	Phares	Panneaux de couleurs interchangeables
36	•					•			•	•		•			
40X	•					•			•	•	•				
44X	•					•			•	•	•				
40E		•	•AU only			•			•	•	•				•
44E		•	•AU only			•			•	•	•				•
40LX				•	•				•	•	•		•	•	•
44LX				•	•				•	•	•		•	•	•
50LX				•	•				•	•	•		•	•	•
54LX				•	•				•	•	•		•	•	•
53			•		•				•	•	•				•
53HD			•		•				•	•	•				•
54			•		•				•	•	•		•		•
54HD			•		•				•	•	•				•
73				•	•				•	•	•		•	•	•
74				•	•				•	•	•		•	•	•
83		•						•	•			•			
84		•						•	•			•			

**NOTE: Les options du Travel Scooter varient par pays. Veuillez contacter votre fournisseur pour déterminer quelles options sont disponibles pour votre Travel Scooter.*

NOTE: Veuillez-vous familiariser avec le numéro du modèle de votre Travel Scooter. Le numéro peut être trouvé sur la feuille de spécifications du produit dans le paquet du propriétaire. Tout au long de ce manuel, les attributs du scooter sont identifiés par le numéro du modèle (colonne à l'extrême gauche du tableau des caractéristiques du Travel Scooter). Sachant que le numéro du modèle de votre appareil vous aidera à déterminer les caractéristiques uniques de votre Travel Scooter.

UTILISATION PRÉVUE

L'utilisation prévue des produits est d'offrir la mobilité à des personnes limitées à une position assise, qui ont la capacité de faire fonctionner un scooter.

NOTE: Ce manuel a été préparé à partir des spécifications et informations disponibles au moment de sa publication. Nous réservons le droit d'apporter des changements lorsque il est nécessaire. Certains changements peuvent causer de légères variations entre les illustrations, les explications de ce manuel et l'appareil que vous avez acheté. La dernière version de ce manuel est sur notre site Internet.

NOTE: Ce produit répond aux exigences et respecte les directives des normes WEEE, RoHS et REACH.

NOTE: Ce produit conforme à la classification IPX4 (IEC 60529).

NOTE: Le Travel Scooter et ses composants ne sont pas fabriqués avec du latex de caoutchouc naturel. Consultez le fabricant en ce qui concerne les accessoires après-vente.



TABLE DES MATIERES

CONSIGNES DE SECURITE	33
I. SECURITE	34
II. VOTRE TRAVEL SCOOTER	36
III. BATTERIES ET RECHARGE	43
IV. FONCTIONNEMENT	49
V. REGLAGES CONFORT	51
VI. MONTAGE ET DEMONTAGE	54
VII. PROBLEMES ET SOLUTIONS	56
VIII. SOINS ET ENTRETIEN	58

CONSIGNES DE SECURITE



MISE EN GARDE! Votre détaillant autorisé ou un technicien qualifié doit faire le montage initial de ce Travel Scooter et suivre toutes les procédures énumérées dans ce manuel.

Les symboles suivants sont utilisés tout au long de ce manuel pour identifier les mises en garde et moments d'attention particulière. Il est important de les comprendre et de les suivre à la lettre.



MISE EN GARDE! Indique une condition/situation potentiellement dangereuse. Vous devez respecter les consignes sous peine de vous blesser, de causer des dommages et/ou un mauvais fonctionnement. Ce pictogramme apposé sur le produit est de couleur noire sur un triangle jaune avec bordure noire.



OBLIGATOIRE! Ces actions doivent être exécutées selon les consignes sous peine de vous blesser, ou d'endommager l'appareil. Ce pictogramme apposé sur le produit est de couleur blanche avec un point bleu et bordure blanche.



INTERDIT! Ces actions sont interdites. Vous ne devez sous aucune considération, entreprendre ces actions. Ces actions peuvent entraîner des blessures et/ou dommages à votre équipement. Ce pictogramme apposé sur le produit est de couleur noire avec un rond rouge et barre rouge.

I. SECURITE

PICTOGRAMME DE SECURITE

Les pictogrammes ci-dessous sont utilisés sur le Travel Scooter pour indiquer les actions obligatoires, mises en garde et actions prohibées. Il est très important de les lire et de bien les comprendre.

NOTE: Vous trouverez davantage d'avertissements identifiés et expliqués dans le guide de la sécurité du consommateur inclus avec votre scooter. Veuillez-vous familiariser avec tous les avertissements et les consignes de sécurité contenus dans le guide de la sécurité du consommateur et référez-vous souvent à cette ressource.



Lisez et respectez les consignes et informations contenues dans ce manuel.



Plaques des information.



Rechargez les batteries complètement avant l'utilisation.

Retirez la clé de votre Travel Scooter lorsque celui-ci est laissé sans surveillance.



Identifie les points d'ancrage.



Ce scooter n'est pas conforme à la norme ISO 7176-19 pour être occupé (personne prenant place sur le siège du scooter) pendant le transport dans un véhicule en marche. Ne vous assoyez pas dans votre Travel Scooter lorsque celui-ci est dans un véhicule en mouvement.



Fabriqué en.

I. SECURITE

CONSIGNES DE SECURITE GENERALES



MISE EN GARDE! Ne prenez pas votre Travel Scooter pour la première fois sans avoir lu et compris les instructions et consignes de sécurité contenues dans ce manuel et le Guide de sécurité du consommateur.

Votre Travel Scooter est un appareil dernier cri d'aide à la mobilité dans la vie quotidienne. Nous construis toute une collection de Travel Scooters afin de satisfaire les besoins de chacun. Prenez note que le choix final et la décision d'achat sont la responsabilité de l'utilisateur et du/des professionnels de la santé tels que le médecin, l'ergothérapeute etc.

Dans ce manuel, il est pris pour acquis que le Travel Scooter a été réglé par un expert en mobilité, que celui-ci a également conseillé le professionnel de la santé au sujet de l'utilisation de ce produit.

Dans certaines situations, (conditions médicales) l'utilisateur du Travel Scooter aura besoin d'aide pour acquérir l'habileté nécessaire à la conduite de son appareil. Le moniteur peut être un membre de la famille ou un professionnel de la santé qui aura reçu une formation sur l'utilisation d'un véhicule motorisé personnel comme aide à la vie quotidienne.

Lorsque vous commencerez à utiliser votre Travel Scooter, vous serez confronté à des situations qui demandent une certaine habileté. Prenez alors votre temps et procédez lentement, vous développerez de la facilité pour manoeuvrer dans les ascenseurs, ouvrir les portes, négocier les rampes d'accès et pour rouler sur des surfaces modérément difficiles.

Des informations générales complémentaires peuvent être trouvées sur les fiches et les livrets d'information supplémentaires incluses dans le paquet du propriétaire. Veuillez lire et revoir l'information entièrement, et gardez-la à portée de la main pour future référence.

Vous trouverez ci-dessous des conseils, consignes et mises en garde qui vous seront utiles afin de vous acclimater à la conduite sécuritaire du Travel Scooter.

AVANT DE PRENDRE LA ROUTE

Apprenez à connaître les capacités et limites de votre Travel Scooter. Faites les vérifications requises avant chaque sortie pour vous assurer d'un fonctionnement sans problème et sécuritaire.

Inspectez les points suivants avant de prendre la route:

- Vérifiez la pression dans les pneus. Assurez-vous qu'ils ne sont pas endommagés ou excessivement usés.
- Inspectez les connexions électriques. Vérifiez qu'il n'y a pas de rouille et qu'elles soient bien serrées.
- Vérifiez le câble et les fils. Assurez-vous qu'elles soient branchées de façon sécuritaire.
- Vérifiez les freins afin de s'assurer qu'ils fonctionnent correctement.
- Vérifiez le compteur d'état de la batterie pour s'assurer que les batteries sont complètement chargées.
- Assurez-vous que la manette de déblocage manuelle est en mode d'entraînement avant de s'asseoir sur le scooter.

Si vous découvrez un problème, contactez votre détaillant autorisé pour obtenir de l'aide. Référez-vous aux informations de contact qui sont incluses dans votre paquet du propriétaire.

II. VOTRE TRAVEL SCOOTER

TABLEAU DE BORD

Le tableau de bord abrite toutes les commandes de fonctionnement de votre Travel Scooter incluant le contact, l'accélérateur, le klaxon, le bouton de réglage de la vitesse et la jauge à batteries. Veuillez-vous référer à la table *des caractéristiques du Travel scooter* qui se trouve sur la page 32 afin de déterminer quelle type de tableau de bord choisir. **Voir les figures 1 à travers 4.**



INTERDIT! N'exposez pas le tableau de bord à l'humidité. Si le tableau venait à être mouillé, ne tentez pas d'utiliser votre Travel Scooter avant que le tableau ait été asséché à fond.

CLE D'IDENTIFICATION POUR FIGURES 1 A TRAVERS 4

- | | |
|---------------------------------------|---|
| 1. KLAXON | 5. LEVIER D'ACCELERATEUR |
| 2. CLE DE CONTACT | 6. RECEPTACLE DU CORDON DU CHARGEUR
(BRANCHEMENT DU CONSOLE) |
| 3. JAUGE A BATTERIES | 7. FUSIBLE DU CHARGEUR A BATTERIES EXTERNE |
| 4. BOUTON DE REGLAGE DE LA
VITESSE | 8. FUSIBLE DES FEUX ET PHARE |
| | 9. COMMUTATEUR DES FEUX ET PHARE |

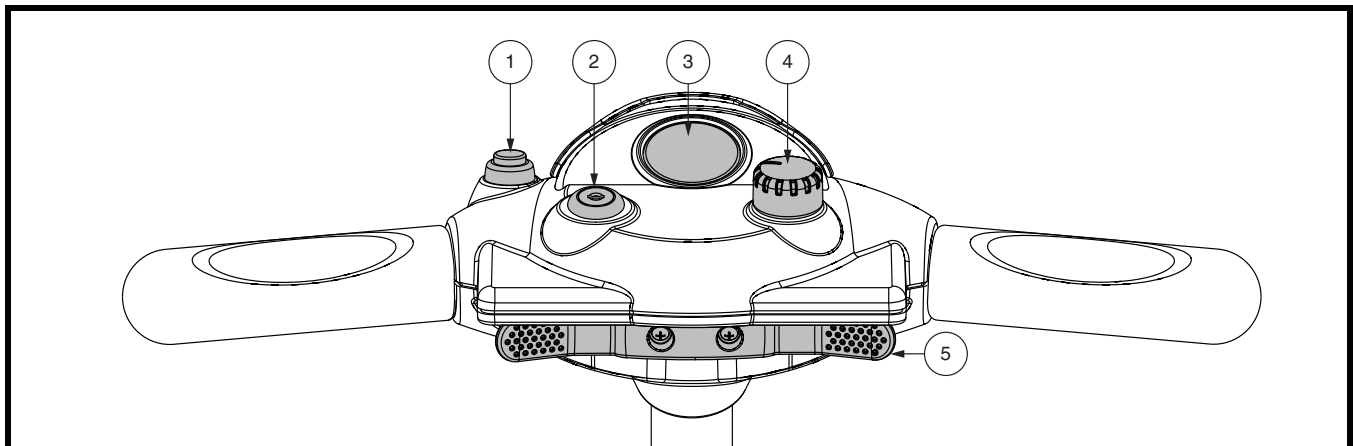


Figure 1. Tableau de bord A

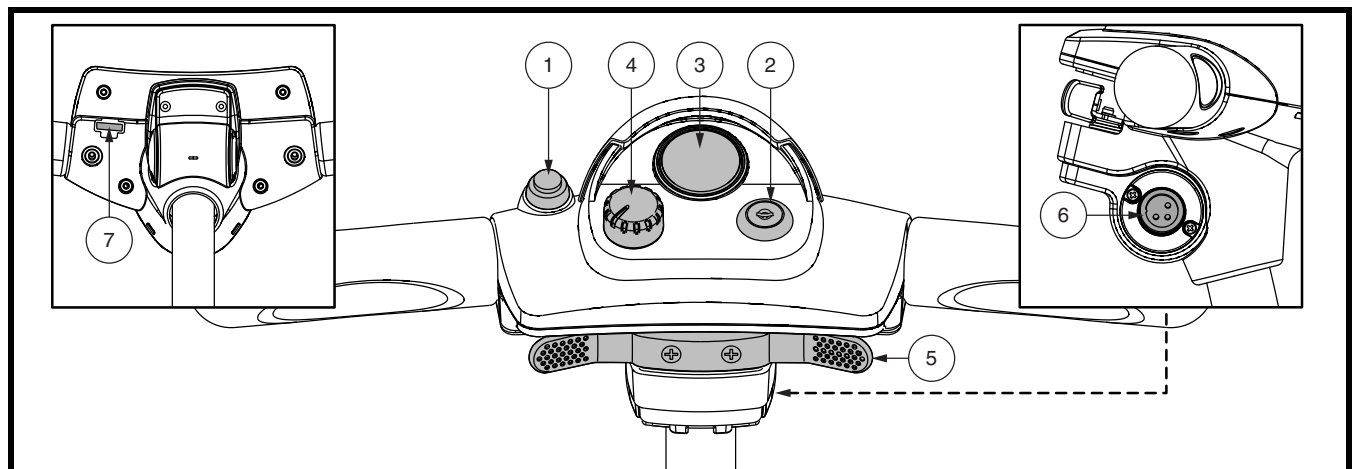


Figure 2. Tableau de bord B

II. VOTRE TRAVEL SCOOTER

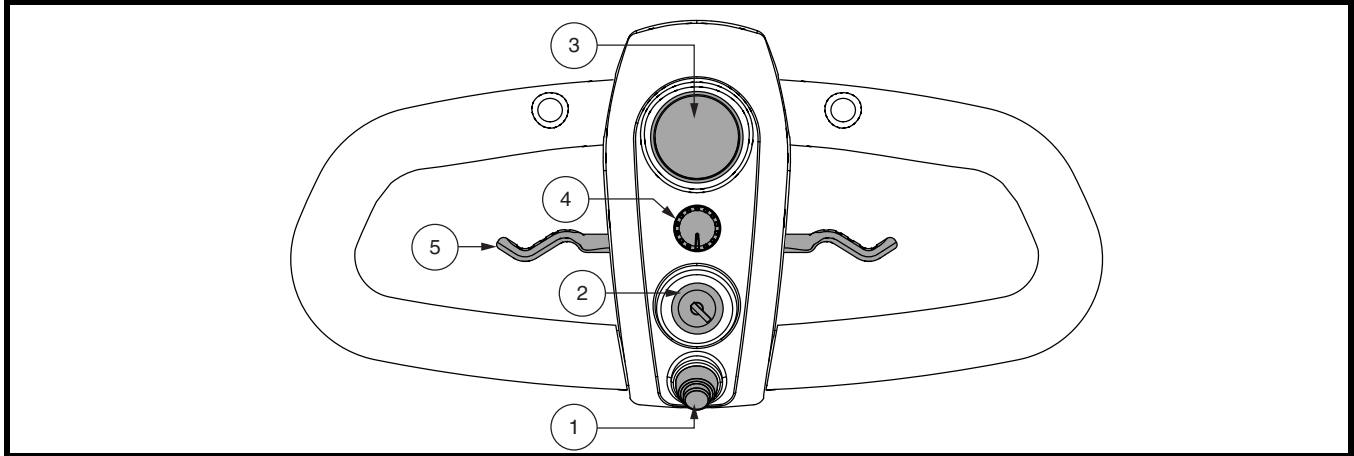


Figure 3. Tableau de bord C

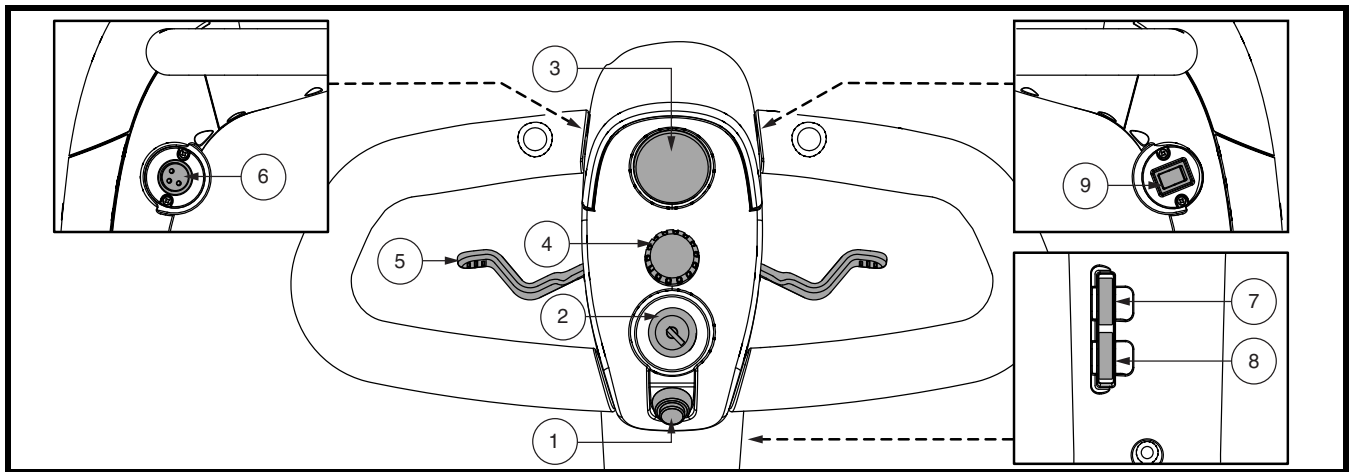


Figure 4. Tableau de bord D

Klaxon

Pesez sur le bouton pour klaxonner. Assurez-vous que la clé est sur le contact et que le Travel Scooter est allumé. N'hésitez pas à klaxonner si vous croyez pouvoir éviter un accident.

Clé de contact

- Insérez la clé et tournez-la dans le sens des aiguilles d'une montre pour allumer votre Travel Scooter.
- Tournez la clé dans le sens opposé pour couper le contact de votre Travel Scooter.

Vous pouvez laisser la clé sur le contact, cependant nous recommandons de la retirer afin de prévenir l'utilisation non autorisée de votre Travel Scooter.



MISE EN GARDE! Si le contact est coupé alors que le Travel Scooter est en mouvement, les freins électroniques s'engageront pour stopper votre Travel Scooter abruptement!

Jauge à batteries

Lorsque la clé est sur le contact et complètement enfoncée et tournez-la dans le sens des aiguilles d'une montre, la jauge affiche la quantité approximative d'énergie disponible dans les batteries. Pour de plus amples informations au sujet de la jauge à batteries, voyez la section III. "Batteries et recharge".

II. VOTRE TRAVEL SCOOTER

Bouton de réglage de la vitesse maximale

Ce bouton vous permet de présélectionner la vitesse maximale désirée.

- L'image de la tortue représente la vitesse minimale.
- L'image du lièvre représente la vitesse maximale.

Levier d'accélérateur

Ce levier commande la marche avant ou arrière du Travel Scooter selon la vitesse maximale déterminée par le bouton de réglage de la vitesse.

- Placez la main droite sur la poignée droite et la main gauche sur la poignée gauche du guidon.
- Utilisez votre pouce droit pour appuyer sur l'accélérateur, les freins se relâcheront et le Travel Scooter avancera.
- Relâchez l'accélérateur, laissez le Travel Scooter s'arrêter avant d'appuyer sur l'accélérateur gauche et faire marche arrière.
- Lorsque l'accélérateur est complètement relâché, il revient au centre en position "stop" et les freins s'engagent automatiquement.

Commutateur des feux et du phare

Pour le fonctionnement des feux et du phare. **Voir la figure 4.**

- Basculez le levier vers l'avant pour allumer le phare et les feux arrière.
- Basculez le bouton vers l'arrière pour allumer les feux de position et le phare (inférieur) avant.



MISE EN GARDE! Vous devez allumer les feux (jour et nuit) lorsque la visibilité est mauvaise.

SECTION ARRIERE

La section arrière de votre Travel Scooter abrite le module moteur/transmission, les antibasculé, et le levier d'embrayage. **Voir la figure 5.**



MISE EN GARDE! Avant débrayer votre Travel Scooter, soyez assuré que le contact est coupé. Ne jamais asseoir sur votre Travel Scooter lorsqu'il est au neutre (débrayé). Ne jamais débrayer votre Travel Scooter alors que celui-ci est dans une pente ou sur une surface inclinée.

Levier d'embrayage manuel

Vous pouvez débrayer votre Travel Scooter (neutre) pour le déplacer manuellement sur de courtes distances. Le levier d'embrayage est situé dans le coin supérieur droit de la section arrière.

1. Repérez le levier d'embrayage en hout à droite de la section arrière.
2. Poussez le levier vers l'avant pour débrayer le moteur et relâcher les freins. Vous pouvez maintenant déplacer le Travel Scooter manuellement.
3. Pour sortir du neutre, tirez sur le levier d'embrayage qui engage la moteur et active les freins.

CLE D'IDENTIFICATION

1. LEVIER D'EMBRAYAGE MANUEL
2. MODULE MOTEUR/TRANSMISSION
3. ANTIBASCULE

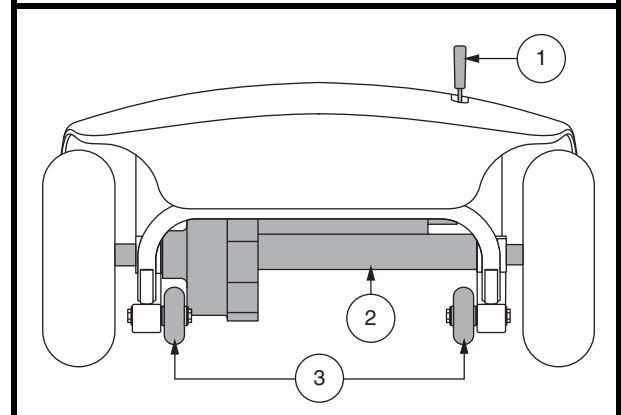


Figure 5. Section arrière

II. VOTRE TRAVEL SCOOTER

MISE EN GARDE! Lorsque le Travel Scooter est en mode roues libres (au neutre) les freins sont relâchés.



- **Passez en mode roues libre seulement lorsque le Travel Scooter est sur une surface horizontale.**
- **Assurez-vous que la clé n'est pas sur le contact.**
- **Tenez-vous debout à côté le Travel Scooter pour passer en mode roues libres ou pour embrayer les moteurs. Ne jamais le faire alors que vous êtes assis sur le siège.**
- **Lorsque vous avez terminé le déplacement manuel du Travel Scooter, remettez toujours le Travel Scooter en mode embrayé afin d'engager les freins.**

Module moteur/transmission

Le module moteur/essieu est composé du moteur et d'un essieu scellé à la transmission et au différentiel. Ce module électromécanique transforme l'énergie des batteries en puissance pour les roues motrices de votre Travel Scooter.

Roulettes antibascule

Les roulettes antibascule sont une composante de sécurité importante de votre Travel Scooter. Elles sont boulonnées sur la structure à l'arrière du Travel Scooter.



INTERDIT! Ne pas retirer ou modifier d'aucune manière les roulettes antibascule sans avoir obtenu l'autorisation de votre détaillant autorisé.



MISE EN GARDE! Les roues anti-bascule peuvent provoquer des interférences avec la transition en douceur de votre Travel Scooter lorsque vous montez ou descendez un trottoir. Contactez votre détaillant autorisé pour plus d'informations.

Bouton du disjoncteur principal

Lorsque les batteries sont faibles et que la demande est excessive (charge lourde ou pente forte) le disjoncteur peut se déclencher pour éviter d'endommager les composants électroniques et le moteur.

Voir la figure 6.

- La tête du bouton du disjoncteur sort lorsqu'il est déclenché.
- Lorsqu'il est déclenché, tous les circuits sont hors service.
- Attendez une minute avant d'essayer d'enclencher le circuit à nouveau.
- Appuyez sur le bouton pour l'enfoncer et rétablir les circuits.
- Si le disjoncteur se déclenche à répétition, nous recommandons de charger vos batteries plus souvent et de faire tester vos batteries par votre détaillant autorisé.
- Si le disjoncteur saute à nouveau, vous devrez voir votre détaillant autorisé pour faire vérifier votre appareil.

II. VOTRE TRAVEL SCOOTER

BOITIER A BATTERIES

Votre Travel Scooter est équipé d'un module à batterie innovateur facilement enlevable. Une poignée située sur le dessus facilite l'enlèvement du Travel Scooter d'une seule main. Le module contient deux batteries, et peut contenir le réceptacle du cordon du chargeur, le disjoncteur du circuit principal (bouton d'enclenchement) et le fusible du module. **Voir la figure 6.**

CLE D'IDENTIFICATION

- | | |
|-------------------------------------|--|
| 1. MODULE A BATTERIES | 5. DISJONCTEUR DU CIRCUIT PRINCIPAL
(BOUTON DE D'ENCLenchEMENT) |
| 2. POIGNEE DU MODULE | 6. CABLE D'ALIMENTATION A LA BATTERIE |
| 3. RECEPTACLE DU CORDON DU CHARGEUR | 7. CONNECTEURS A BATTERIES |
| 4. FUSIBLE DU MODULE | 8. FUSIBLE DE LA CONSOLE DE GUIDON |

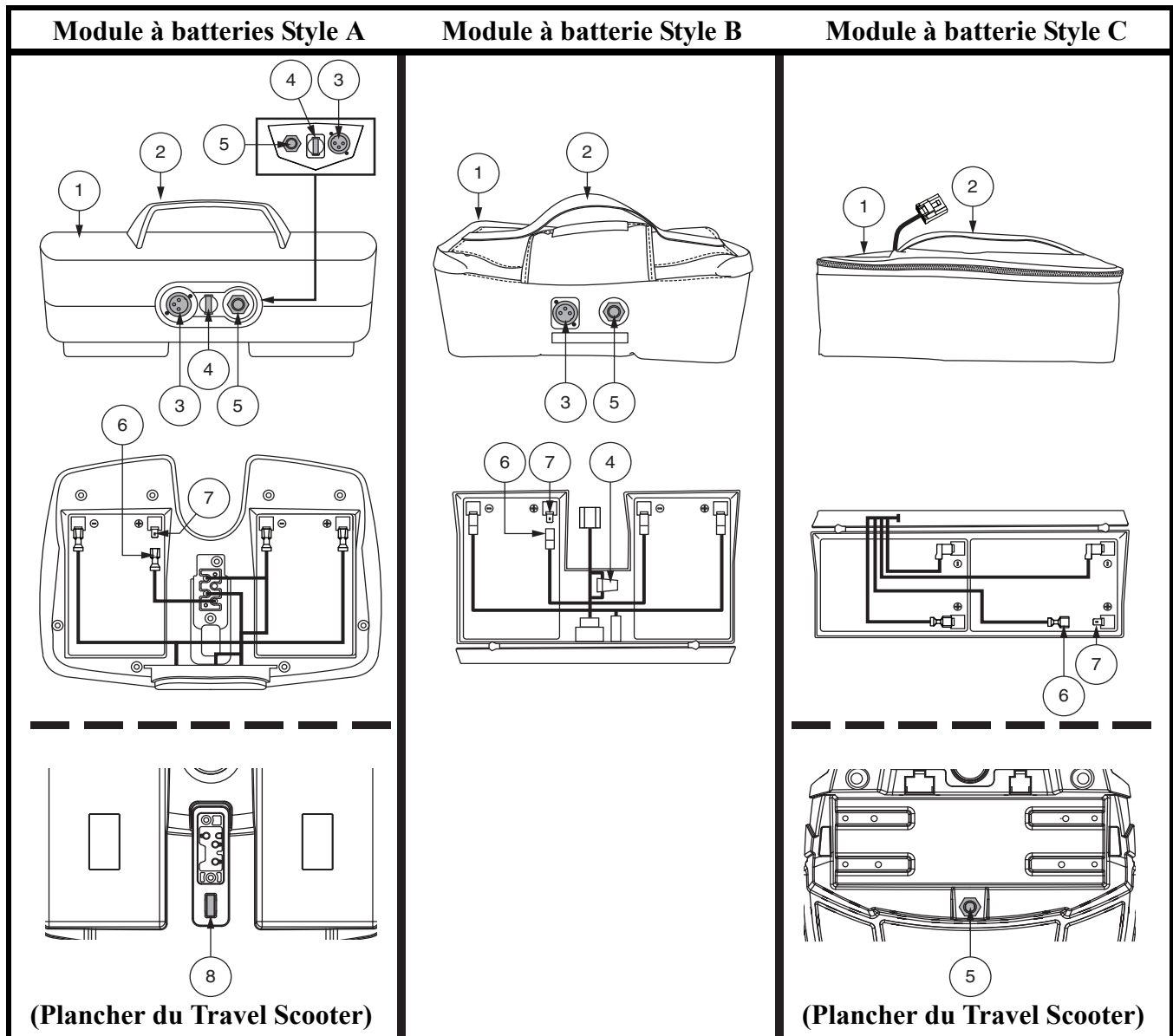


Figure 6. Module à batteries

II. VOTRE TRAVEL SCOOTER

Réceptacle du cordon du chargeur

Pour le branchement du cordon du chargeur à batteries externe. Voir les figures 7 et 8.

FUSIBLE DE LA CONSOLE DU GUIDON (SI EQUIPPÉ)

Le fusible situé sous le boîtier à batteries protège les composantes électroniques de la console. Voir la figure 6. Si la console cesse de fonctionner, vérifiez ce fusible. Voir VII. "Problèmes et solutions" pour les instructions de remplacement.

CHARGEUR A BATTERIES EXTERNE

Vous devez brancher le chargeur à batteries externe dans son réceptacle et dans une prise murale standard pour la recharge des batteries de votre Travel Scooter. Voir la figure 9.

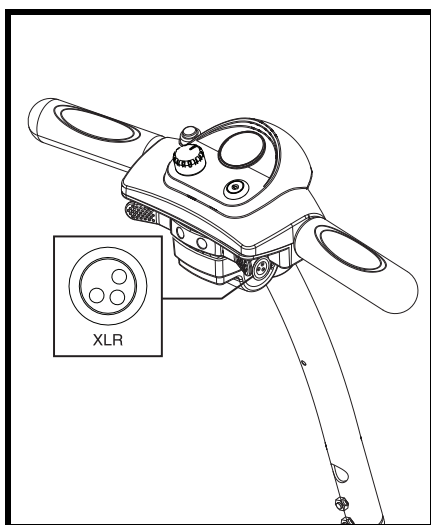


Figure 7. Réceptacle du cordon du chargeur (Branchement du console)

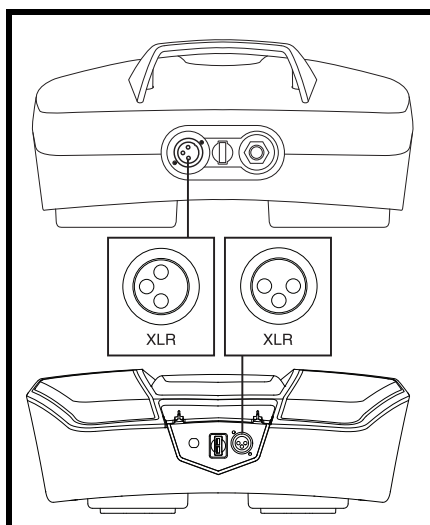


Figure 8. Réceptacle du cordon du chargeur (Module à batteries)

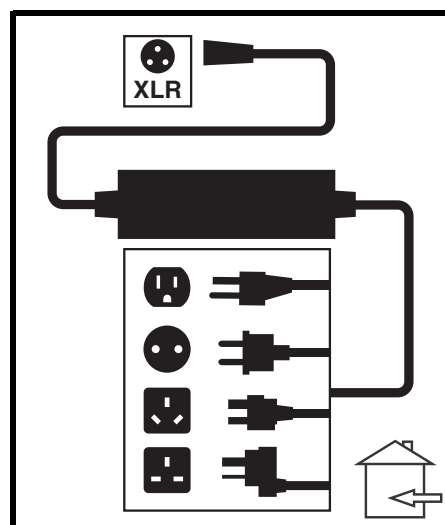


Figure 9. Chargeur à batteries externe

ANCRAGE DU SCOOTER

Le Travel Scooter doit toujours être ancrés face à l'avant du véhicule. Fixez les quatre (4) courroies aux points d'ancrage désignés sur le Travel Scooter. Voir la figure 10. Serrez-bien les courroies pour retirer le jeu excessif. N'attachez jamais le Travel Scooter par ses composantes réglables ou mobiles tels que les accoudoirs, capots ou roues. Ces articles devraient être enlevés. Positionnez les points d'ancrage arrière des courroies directement derrière le Travel Scooter. Les points d'ancrage avant sont disposés plus loin de chaque côté du Travel Scooter afin d'augmenter la stabilité latérale.



MISE EN GARDE! Assurez-vous que le Travel Scooter est bien attaché au véhicule pendant le transport routier. Un scooter qui n'est pas ancré correctement pourrait devenir dangereux pour son occupant et pour les autres passagers du véhicule lors d'un arrêt brusque, dans un virage serré puisque le Travel Scooter pourrait se renverser et se déplacer violemment en cas de collision.

II. VOTRE TRAVEL SCOOTER

CLE D'IDENTIFICATION

1. Points d'ancre avant (3-roues modèles)
 - 1a. Modèles 83 et 84 seulement
 - 1b. Modèles 36, 40X, 44X, 40E, 44E, 40LX, 44LX, 50LX, 54LX, 53, 53HD, 54, 54HD, 73, et 74
2. Points d'ancre avant (4-roues modèles)
3. Points d'ancre arrière

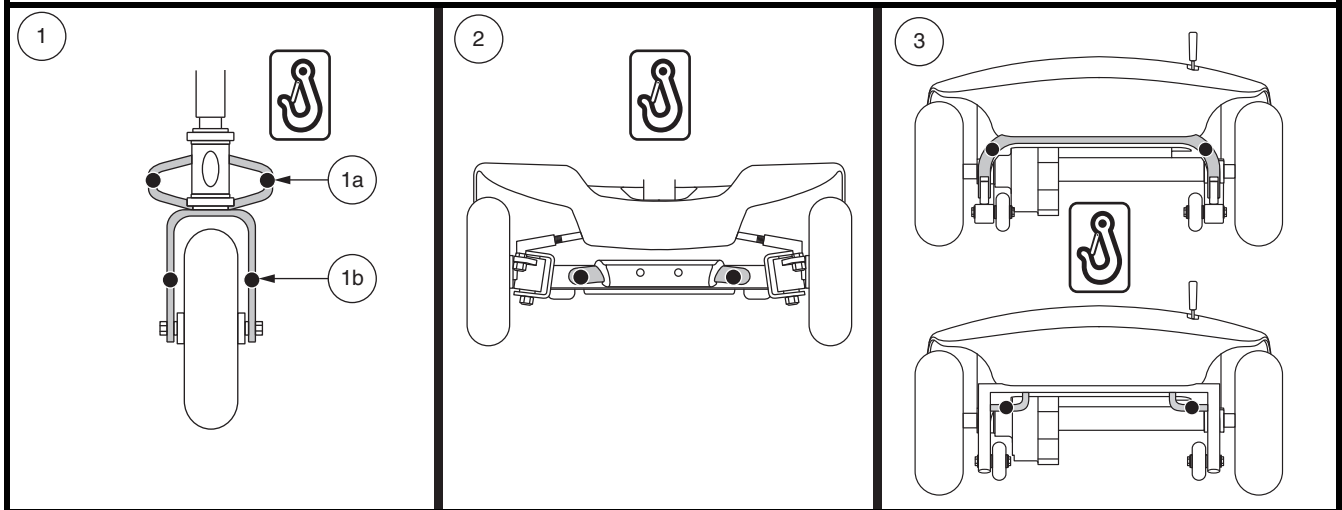


Figure 10. Points d'ancre (Identifié avec des points noirs)

PANNEAUX DE CAPOT

Sur certains modèles, vous pouvez changer la couleur de votre Travel Scooter en retirant les panneaux de couleur et en les remplaçant avec des panneaux de couleur différente. Les panneaux sont fixés à l'aide de fixations de type velcro. **Voir la table des caractéristiques du Travel Scooter (à la page 32).**

Pour retirer les panneaux:

1. Utilisez votre doigt pour trouver les orifices de détente sur chaque panneaux.
2. Poussez dans l'orifice afin de séparer le panneau du Travel Scooter. **Voir la figure 11.**

Pour retirer la visière de la console:

1. Tirez doucement sur la visière vers l'arrière du Travel Scooter pour le détacher de la fixation velcro et le retirer de la console. **Voir la figure 12.**

Pour remettre les panneaux du capot en place, placez chaque panneau à sa place en pesant légèrement dessus pour fixer le velcro correctement.

NOTE: Lors de l'installation des panneaux d'ailerons arrière et avant, assurez-vous de bien insérer l'onglet dans sa fente avant de fixer le panneau en place. **Voir la figure 11.**

CLE D'IDENTIFICATION

1. Panneau aile arrière
2. Panneau aile avant

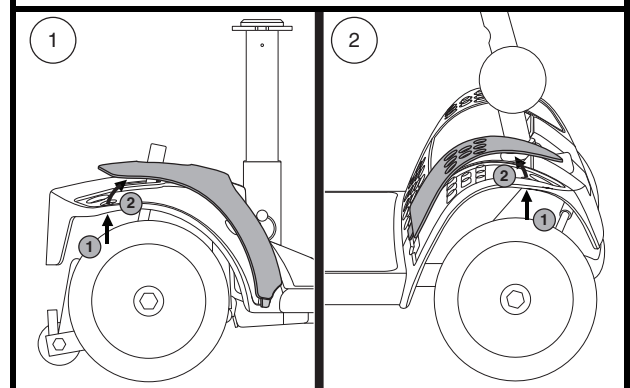


Figure 11. Panneau aile

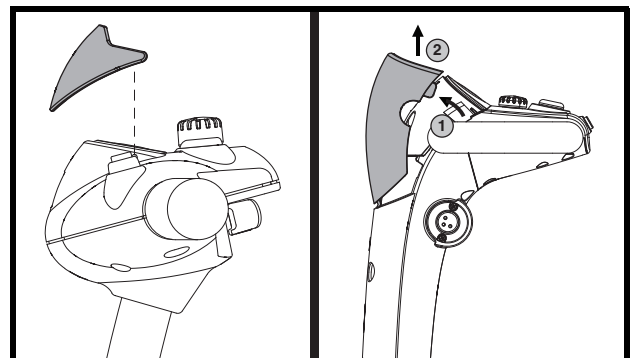


Figure 12. Visière de la console

III. BATTERIES ET RECHARGE

BATTERIES ET RECHARGE

Votre Travel Scooter utilise deux batteries à décharge poussée, scellées et sans entretien de 12 volts, 12 ampères/heure. Elle sont rechargées par le chargeur externe.

- Chargez vos batteries au moins 8 à 14 heures avant la toute première utilisation de votre Travel Scooter.
- Gardez vos batteries bien chargées pour éviter les complications.

LECTURE DU VOLTAGE DES BATTERIES

La jauge à batteries située sur le tableau de bord indique la quantité d'énergie stockée dans les batteries à l'aide d'un code de couleur. Le vert indique des batteries pleine charge, le jaune indique que la charge est partielle tandis que le rouge montre que les batteries doivent être rechargées immédiatement. **Voir la figure 13.** Pour avoir une mesure fiable, vous devez débrancher le cordon d'alimentation du chargeur et mettre le contact du Travel Scooter.

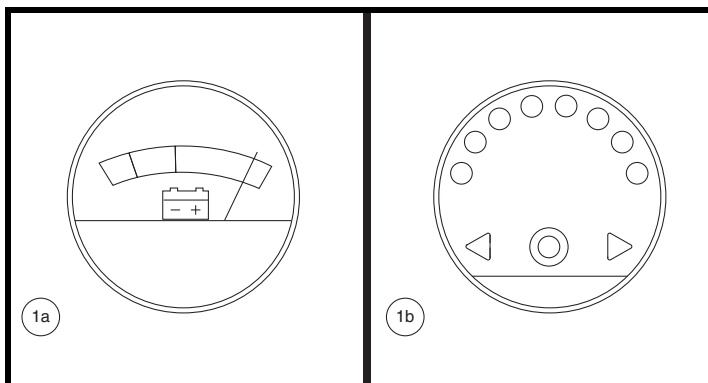


Figure 13. Jauge à batteries

RECHARGE DES BATTERIES

NOTE: Avec certains modèles, la batterie peut être chargée ou désactivée du Travel Scooter. Voir la table des caractéristiques.



INTERDIT! Vous risquez de provoquer une situation dangereuse si vous enlevez la branche de mise à la terre du connecteur électrique sur le cordon d'alimentation du chargeur. Au besoin, installez un adaptateur à 3 branches sur la prise électrique à 2 fentes.



INTERDIT! N'utilisez jamais une rallonge de cordon électrique pour brancher le chargeur à batteries. Branchez-le directement dans une prise électrique standard.



INTERDIT! Ne laissez pas d'enfant jouer sans surveillance près d'un Travel Scooter lorsque vous rechargez les batteries. Nous recommandons de ne pas recharger les batteries lorsque le Travel Scooter est occupé.



OBLIGATOIRE! Lisez les instructions sur le fonctionnement du chargeur dans ce manuel et celles contenues dans le manuel fourni avec le chargeur avant de commencer la recharge des batteries.



MISE EN GARDE! Des vapeurs explosives peuvent être émises pendant la recharge des batteries. Ventilez adéquatement la pièce et n'approchez pas du chargeur avec des étincelles ou une flamme ouverte pendant la recharge des batteries.

MISE EN GARDE! Vous devez recharger les batteries avec le chargeur externe qui a été fourni avec votre Travel Scooter. N'utilisez pas un chargeur de type automobile.

MISE EN GARDE! Inspectez le chargeur, les fils et les connecteurs avant chaque utilisation. Contactez votre détaillant autorisé si vous découvrez des dommages.



MISE EN GARDE! Ne tentez pas d'ouvrir le boîtier du chargeur. Si le chargeur ne semble pas fonctionner correctement, contactez votre détaillant autorisé.

MISE EN GARDE! Si le chargeur est équipé de fentes de refroidissement, ne tentez pas d'insérer d'objets dans ces fentes.

III. BATTERIES ET RECHARGE



MISE EN GARDE! Soyez conscient que le boîtier du chargeur de batterie peut devenir chaud pendant la charge. Évitez tout contact cutané et ne placez pas dessus des surfaces susceptibles d'être affectées par la chaleur.



MISE EN GARDE! N'exposez pas votre chargeur aux intempéries sauf si celui-ci a été approuvé pour l'usage à l'extérieur. Si le chargeur est exposé aux intempéries, alors il doit avoir le temps de s'adapter aux conditions internes avant de l'utiliser à l'intérieur. Référez-vous au manuel fourni avec le chargeur pour de plus amples informations.

Voici comment recharger vos batteries sécuritairement:

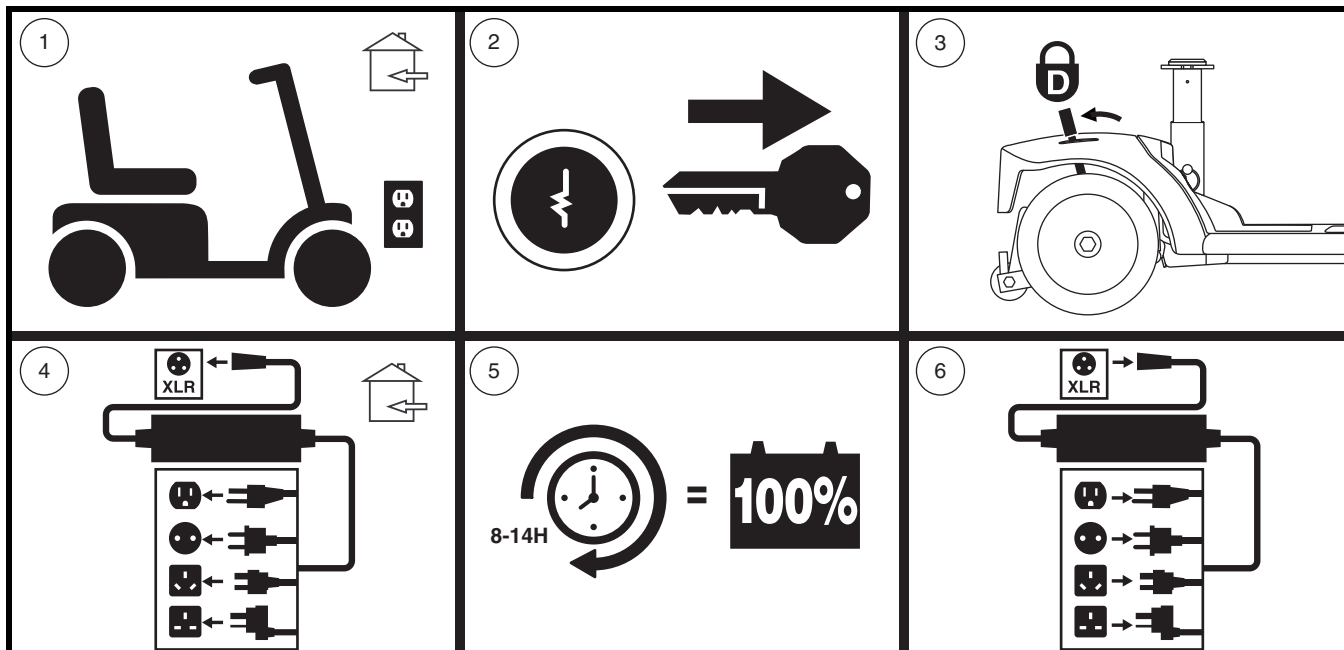


Figure 14. Recharge des batteries schéma des procédures



WARNING! Les voyants lumineux sur le chargeur vous informent sur l'état actuel. Si dans les 24 heures, la DEL n'indique pas que la charge est terminée, débrancher le chargeur de la prise et contactez votre détaillant autorisé. Référez-vous au manuel fourni avec le chargeur pour les instructions complètes sur les voyants lumineux.

NOTE: Le Travel Scooter possède un dispositif qui bloque le fonctionnement du Travel Scooter et de sa jauge à batteries pendant la recharge de batteries.

QUESTIONS POSEES FREQUEMMENT

Comment fonctionne le chargeur?

Si les batteries sont faibles, le chargeur travaillera davantage. Au fur et à mesure que les batteries se rechargent, le chargeur ralentit le débit de recharge jusqu'à ce que les batteries soient complètement chargées. Lorsqu'elles le sont, le niveau d'intensité est presque à zéro. Les batteries seront alors maintenues chargées mais ne peuvent être surchargées. Reportez-vous au manuel fourni avec le chargeur de batterie pour des instructions de chargement.

III. BATTERIES ET RECHARGE

Puis-je utiliser un autre chargeur?

Les chargeurs sont choisis en fonction de l'utilisation et sont bien adaptés au type, à la capacité et à la formule chimique des batteries utilisées. La façon la plus rapide et sûre de recharger les batteries de votre Travel Scooter est à l'aide du chargeur d'origine fourni avec votre produit. Ne rechargez pas les batteries individuellement.

Que faire si les batteries ne se rechargent pas?

- Assurez-vous que le fusible du module à batteries est en bon état. **Voir la figure 6 ou 7.**
- Assurez-vous que les deux extrémités du cordon d'alimentation soient bien branchées à fond.

À quelle fréquence dois-je recharger mes batteries?

Deux facteurs influencent la nécessité de recharger les batteries.

- Une utilisation journalière.
- Une utilisation occasionnelle du Travel Scooter.

D'autres facteurs, comme le poids du conducteur, les bagages, la configuration du terrain doivent aussi être pris en considération. Conscient de ces facteurs, vous devez vous poser deux questions: «Est-ce que je dois recharger mes batteries souvent et pendant combien de temps?». Bien que le chargeur de batteries intégré ait été conçu de façon à ne jamais surcharger les batteries, plusieurs propriétaires hésitent à charger leurs batteries régulièrement. Si vous suivez les conseils décrits ci-dessous, vos batteries seront fiables et plus durables.

- Si vous utilisez votre Travel Scooter toute la journée, rechargez vos batteries dès que vous avez fini de l'utiliser. Le chargeur possède un dispositif automatique qui ne surchargera pas vos batteries et votre Travel Scooter sera prêt chaque matin. Après une journée d'utilisation, il est recommandé de recharger vos batteries pendant au moins 8 à 14 heures. Nous recommandons de charger les batteries pendant 4 heures supplémentaires après que le chargeur de la batterie indique que la charge est terminée.
- Si vous utilisez votre Travel Scooter occasionnellement (une fois par semaine ou moins), il est recommandé de recharger vos batteries au moins une fois par semaine pendant au moins 24 heures.

NOTE: Gardez vos batteries bien chargées et évitez de les décharger complètement. Reportez-vous au manuel fourni avec le chargeur de batterie pour des instructions de chargement. Nous recommandons de charger vos batteries pendant au moins 48 heures consécutives une fois par mois afin d'améliorer les performances et la vie de la batterie.

Comment obtenir une distance maximale avec mes batteries?

Les conditions de conduite ne sont pas toujours idéales ie: terrain ferme et plat, sans courbe et sans vent contraire. Souvent, nous faisons face à des pentes, des crevasses dans les trottoirs, du gravier, des courbes, etc. Ces facteurs affecteront la distance que vous pourrez parcourir avec votre Travel Scooter. Voici quelques suggestions pour maximiser la distance parcourue avec une recharge de batteries:

- Avant de partir, assurez-vous que vos batteries sont complètement chargées.
- Planifiez votre sortie de façon à éviter les pentes et les surfaces difficiles.
- Emportez le minimum de bagages.
- Essayez de maintenir une vitesse constante.
- Évitez d'arrêter et de repartir fréquemment.
- Nous recommandons de charger vos batteries pendant au moins 48 heures consécutives une fois par mois afin d'améliorer les performances et la vie de la batterie.
- Assurez-vous qu'elles les câbles soient branchées de façon sécuritaire.

III. BATTERIES ET RECHARGE

Que dois-je faire pour allonger la vie utile de mes batteries?

Les batteries à décharge poussée sont conçues pour fournir une performance supérieure plus longtemps que les batteries ordinaires. Gardez vos batteries pleinement chargées aussi souvent que possible. Des batteries trop déchargées, rechargées de façon non assidue, ou entreposées sans qu'elles ne soient pleinement chargées ne seront pas fiables, auront une piètre performance et de plus, dureront moins longtemps.

NOTE: *Pour prolonger la vie de la batterie, éteignez toujours le Travel Scooter et retirez la clé lorsqu'il n'est pas utilisé.*

Quel type de batteries devrais-je utiliser?

Nous recommandons les batteries à décharge poussée (deep cycle), sans entretien et scellées à l'usine ce qui élimine les risques de fuite. Les batteries de type AGM ou au gel scellées sont des batteries "à décharge poussée" offrant des performances similaires. N'utilisez pas de batteries conventionnelles à bouchons enlevables. Référez-vous au tableau des spécifications pour les dimensions des batteries selon les différents fabricants.



MISE EN GARDE! Les batteries contiennent des produits corrosifs. Utilisez seulement des batteries de type AGM ou au gel afin de réduire le risque de fuite ou d'explosion.

NOTE: *Les batteries scellées n'ont pas besoin d'ajout de liquide. N'enlevez pas les bouchons.*

Pourquoi mes nouvelles batteries semblent-elles faibles?

Les batteries de type "à décharge poussée" sont très différentes des batteries d'automobiles, nickel/cadmium ou des autres batteries de type courant. Entre autres, les composantes chimiques utilisées dans les batteries à décharge poussée augmentent leur puissance et permettent de les recharger rapidement 8 à 14 heures.

En collaboration avec son fournisseur de batteries, nous équipe ses Travel Scooters avec les meilleures batteries disponibles. Elles sont chargées à bloc avant la livraison, cependant le transport les expose à des conditions climatiques parfois extrêmes qui peuvent affecter leur performance. En effet, la chaleur et le froid réduisent la charge des batteries et augmentent le temps nécessaire pour les recharger.

Une batterie gelée peut prendre quelques jours pour se stabiliser à la température ambiante. De plus, il est important de se rappeler que les batteries atteindront leur performance maximale après quelques cycles d'utilisation et de recharge.

Voici quelques conseils pour bien roder vos batteries:

1. Chargez complètement vos batteries avant d'utiliser votre appareil pour la première fois. Elles seront alors à 88% de leur capacité.
2. Utilisez tout d'abord votre Travel Scooter autour de la maison de façon à vous habituer aux commandes et en apprécier le confort. Ceci permettra de roder vos batteries.
3. Rechargez vos batteries à nouveau pendant environ au moins 8 à 14 heures. Utilisez votre Travel Scooter de façon à continuer le rodage. Vos batteries seront alors à 90% de leur capacité.
4. Utilisez de nouveau votre Travel Scooter et rechargez vos batteries.
5. Après quatre ou cinq cycles de décharge et recharge, vos batteries atteindront 100% de leur capacité et dureront plusieurs années grâce aux soins que vous leur aurez apportés.

Au sujet des transports publics?

Si vous avez l'intention d'utiliser les transports publics, nous vous recommandons de les contacter à l'avance pour connaître leurs règlements.

III. BATTERIES ET RECHARGE

Comment remplacer une batterie dans mon Travel Scooter?



OBLIGATOIRE! Les batteries, les bornes et les accessoires contiennent du plomb. Portez des lunettes et des gants pour les manipuler et lavez vos mains après les avoir manipulées.



MISE EN GARDE! Utilisez toujours des batteries identiques, du même modèle, même capacité ampère/heure (Ah). Référez-vous dans ce les spécifications du produit et dans le manuel du chargeur pour connaître le type et modèle recommandé.

MISE EN GARDE! N'utilisez pas une vieille batterie en paire avec une neuve. Il faut toujours remplacer les deux batteries à la fois.

MISE EN GARDE! Contactez votre détaillant autorisé si vous avez des questions au sujet des batteries de votre Travel Scooter.



MISE EN GARDE! Ne pas procéder au remplacement lorsque quelqu'un y prend place.

MISE EN GARDE! Le remplacement des batteries de votre Travel Scooter doit être fait par votre détaillant autorisé ou un technicien qualifié.



INTERDIT! Tenez les objets et outils métallique loin des bornes des batteries. Un contact avec un outil en métal peut provoquer un choc électrique.

Vous aurez besoin des outils suivants pour remplacer les batteries:

- Ensemble de clés à rochet métriques/standards
- Clé ajustable



MISE EN GARDE! Ne tentez pas de soulever plus que vous ne le pouvez. Demandez de l'aide au besoin pour l'assemblage ou le démontage de votre Travel Scooter.

MISE EN GARDE! Ne tirez pas directement sur les câbles pour les détacher du scooter. Il faut toujours prendre le connecteur pour détacher le câble afin d'éviter les dommages.

Pour remplacer une batterie dans module à batteries Style A (Voir la figure 6):

1. Retirez le module de batteries du Travel Scooter.
2. Retournez le doucement à l'envers.
3. Retirez les vis au périmètre du boîtier.
4. Remettez doucement le boîtier à l'endroit et retirez le couvercle.
5. Débranchez le câble noir (-) et rouge (+) des bornes de la batterie.
6. Retirez la vieille batterie.
7. Placez une batterie neuve dans le boîtier.
8. Branchez le câble rouge à la borne positive (+) de la batterie.
9. Branchez le câble noir à la borne négative (-) de la batterie.
10. Remettez le couvercle en place en prenant soin de ne pas pincer les câbles entre les coquilles du boîtier.
11. Retournez-le doucement à l'envers.
12. Réinstallez les vis et serrez bien.

III. BATTERIES ET RECHARGE

NOTE: Certaines batteries nécessitent l'enlèvement d'un écrou et d'un boulon lorsque vous débranchez le câble de la batterie à partir de la borne de la batterie. Voir la figure 15.

Pour remplacer une batterie dans module à batteries Style B (Voir la figure 6):

1. Débranchez les câbles de la batterie et retirez l'emballage de la batterie du Travel scooter. **Voir la figure 16.**
2. Ouvrez l'emballage de la batterie pour exposer les batteries.
3. Débranchez le câble noir (-) et rouge (+) des bornes de la batterie.
4. Retirez la vieille batterie.
5. Placez une batterie neuve dans le boîtier.
6. Branchez le câble rouge à la borne positive (+) de la batterie.
7. Branchez le câble noir à la borne négative (-) de la batterie.
8. Refermez l'emballage de la batterie complètement.
9. Réinstallez la batterie et branchez les câbles d'alimentation.

Pour remplacer une batterie dans module à batteries Style C (Voir la figure 6):

1. Retirez le siège et le capot arrière.
2. Débranchez les câbles d'alimentation de la batterie et les sangles de fixation puis retirez la batterie du Travel Scooter. **Voir la figure 16.**
3. Ouvrez l'emballage de la batterie afin d'exposer les batteries.
4. Débranchez le câble noir (-) et rouge (+) des bornes de la batterie.
5. Retirez la vieille batterie.
6. Placez une batterie neuve dans le boîtier.
7. Branchez le câble rouge à la borne positive (+) de la batterie.
8. Branchez le câble noir à la borne négative (-) de la batterie.
9. Refermez complètement l'emballage de la batterie.
10. Réinstallez la batterie puis branchez les câbles de la batterie et les sangles de fixation de la batterie.
11. Réinstallez le capot arrière et le siège.

NOTE: Si vous constatez qu'une de vos batteries est endommagée ou fissurée, placez-la immédiatement dans un sac de plastique et contactez détaillant autorisé pour les recommandations de recyclage. Le recyclage c'est la meilleure façon de s'en débarrasser.

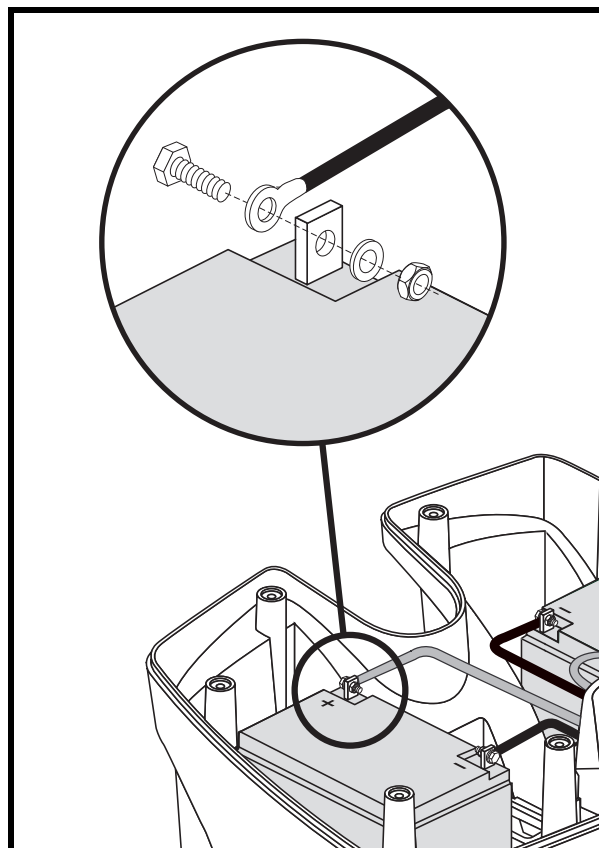


Figure 15. Débranchez les câbles d'alimentation de la batterie sur une boîte de batterie 17-22 Ah

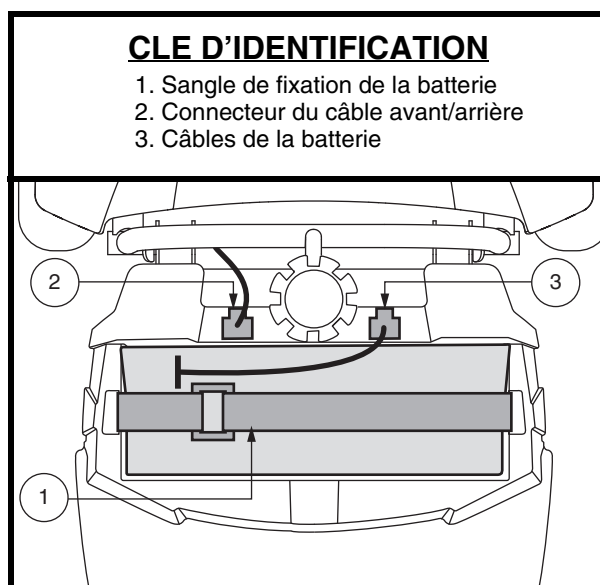


Figure 16. Sangle de fixation de la batterie

IV. FONCTIONNEMENT

AVANT DE PRENDRE PLACE SUR VOTRE TRAVEL SCOOTER

- Avez-vous rechargé vos batteries à fond? Voir la section III. “Batteries et recharge.”
- Le Travel Scooter est-il embrayé (levier tiré vers l’arrière). Ne jamais laisser le levier en position poussée vers l’avant sauf pour le déplacer manuellement.
- Le bouton du guidon est-il en position déverrouillée et le guidon bouge-t-il librement? Voir la section VI. “Montage et démontage”.

S’INSTALLER SUR SON TRAVEL SCOOTER

1. Assurez-vous que la clé n’est pas sur le contact.



MISE EN GARDE! Ne jamais monter sur votre Travel Scooter sans d’abord retirer la clé du contact. Ceci évitera un contact accidentel avec un des leviers d’accélérateur.

2. Tenez-vous debout à côté de votre Travel Scooter.
3. Débloquez le siège et faites-le pivoter jusqu’à ce qu’il soit face à vous.
4. Assurez-vous qu’il est bien bloqué en place.
5. Asseyez-vous confortablement sur le siège.
6. Débloquez le siège et pivotez pour faire face à l’avant du Travel Scooter.
7. Assurez-vous qu’il est bien bloqué en place.
8. Vérifiez que vos pieds soient bien posés sur le plancher du Travel Scooter.

VERIFICATIONS AVANT DEPART

- Le siège est-il à la bonne hauteur? Voir la section V. “Réglages confort.”
- Le siège est-il bloqué en position?
- Avez-vous réglé et verrouillé l’angle du mât du guidon pour être confortablement installé? Voir la section V. “Réglages confort.”
- La clé est-elle dans le contact et le Travel Scooter est-il allumé?
- Le klaxon fonctionne-t-il?
- Avant de partir, assurez-vous qu’il n’y a personne ni aucun obstacle devant vous.
- Avez-vous choisi votre parcours afin d’éviter les pentes et les surfaces difficiles?

FONCTIONNEMENT DE VOTRE TRAVEL SCOOTER

MISE EN GARDE! Les situations suivantes peuvent affecter la stabilité et/ou la conduite de votre Travel Scooter:



- Tenir ou attacher la laisse de votre animal de compagnie.
- Prendre un passager (humain ou animal).
- Suspendre tout objet au guidon.
- Remorqué ou être poussé par un autre véhicule.

MISE EN GARDE! Gardez vos deux mains sur le guidon et les deux pieds sur le plancher en tout temps afin de conserver un meilleur contrôle de votre véhicule.

- Réglez le bouton de vitesse au niveau désiré.
- Pesez ou tirez sur le levier d’accélérateur approprié.
- Les freins électriques se relâcheront automatiquement et votre Travel Scooter avancera à la vitesse sélectionnée.
- Tirez le guidon vers la gauche pour avancer vers la gauche et vers la droite pour aller vers la droite.
- Placez le guidon au centre pour avancer en droite ligne.
- Relâchez l’accélérateur pour ralentir et vous arrêter complètement. Les freins électromagnétiques de stationnement s’engageront automatiquement dès que le scooter sera arrêté.

NOTE: La vitesse arrière de votre Travel Scooter est plus lente que la vitesse avant que vous réglez avec le bouton de vitesse.

IV. FONCTIONNEMENT

POUR DESCENDRE DE VOTRE TRAVEL SCOOTER

1. Arrêtez votre Travel Scooter complètement.
2. Retirez la clé du contact.



MISE EN GARDE! Ne jamais monter sur votre Travel Scooter sans d'abord retirer la clé du contact. Ceci évitera un contact accidentel avec un des leviers d'accélérateur.

3. Débloquez le pivot du siège et faites-le tourner jusqu'à ce que vous soyez face au côté du Travel Scooter.
4. Assurez-vous que le siège est verrouillé après avoir relâché la manette.
5. Descendez prudemment et tenez-vous debout près de votre Travel Scooter.
6. Vous pouvez laisser le siège face à vous, prêt pour votre prochaine sortie.

DISPOSITIF SAUVE ENERGIE

Votre Travel Scooter est équipé d'un dispositif conçu pour préserver l'énergie des batteries en coupant le contact automatiquement. Si vous laissez le contact allumé par inadvertance et que vous ne faites pas fonctionner votre Travel Scooter pendant les 20 prochaines minutes, le dispositif coupe l'alimentation au contrôleur du Travel Scooter automatiquement. Cependant les feux et le phare avant resteront allumés.

Si le courant a été coupé par le dispositif automatique, suivez les étapes suivantes pour rétablir le fonctionnement:

1. Retirez le clé du contact.
2. Inserez le clé dans le contact et tournez vers la position "on".

V. REGLAGES CONFORT

REGLAGE DE L'INCLINAISON DU GUIDON (Voir la figure 17)



MISE EN GARDE! Retirez la clé du contact avant de changer les réglages du guidon ou ceux du siège. Ne tentez jamais de régler le siège ou le guidon lorsque le Travel Scooter est en mouvement.

NOTE: Le siège doit avoir été retiré afin de pouvoir abaisser le guidon jusqu'au niveau du plancher du Travel Scooter. Retirez le siège en le soulevant à la verticale.

ROTATION DU SIEGE

Le levier de rotation est situé sur le côté droit de la base du siège et le bloque dans plusieurs positions. Voir la figure 18.

1. Pesez sur le levier pour débloquer le siège.
2. Faites-le pivoter vers la direction désirée.
3. Relâchez le levier pour le bloquer en place.

REGLAGE EN LARGEUR DES ACCOUDOIRS

La largeur des accoudoirs est réglable vers l'intérieur ou l'extérieur.

1. Desserrez les boutons de réglage. Voir la figure 18.
2. Retirez les goupilles.
3. Glissez les accoudoirs vers la largeur désirée.
4. Alignez les orifices dans le support et la structure pour insérer les goupilles.
5. Resserrez les boutons de réglage.

NOTE: Les accoudoirs peuvent être relevés à la verticale pour faciliter les transferts.

REGLAGE DE LA HAUTEUR DU SIEGE

La hauteur du siège peut être réglée à volonté. Voir la figure 19.

1. Retirez le siège et le boîtier à batteries de votre Travel Scooter.
2. Tirez sur l'anneau de la goupille dans la base du mât du siège.
3. Faites glisser le mât vers le niveau désiré.
4. Tenez le mât au niveau désiré, alignez les trous dans le mât avec ceux dans sa base.
5. Poussez la goupille à fond.
6. Remettez en place le module à batteries et le siège.

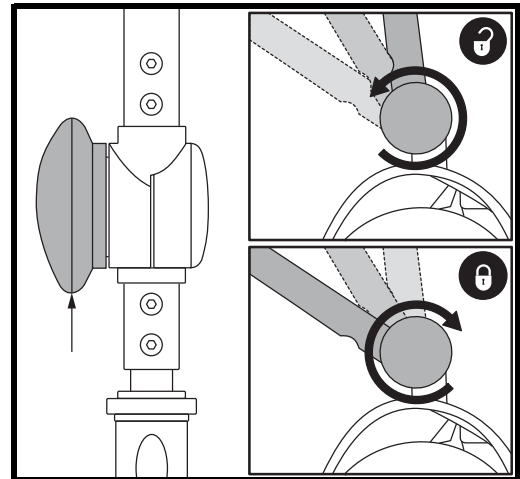


Figure 17. Réglage du guidon

CLE D'IDENTIFICATION

1. Bouton réglage accoudoir
2. Goupille
3. Levier de rotation

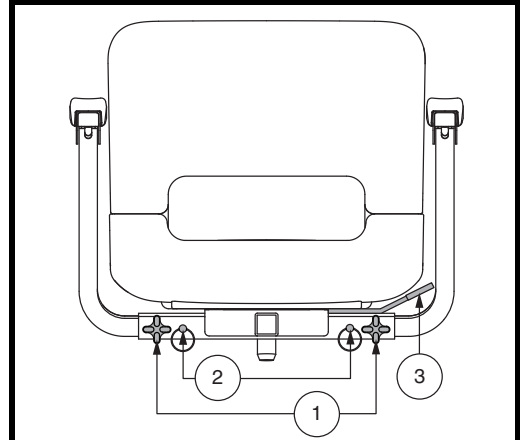


Figure 18. Réglage du siège

CLE D'IDENTIFICATION

1. Mât du siège
2. Base du mât
3. Goupille

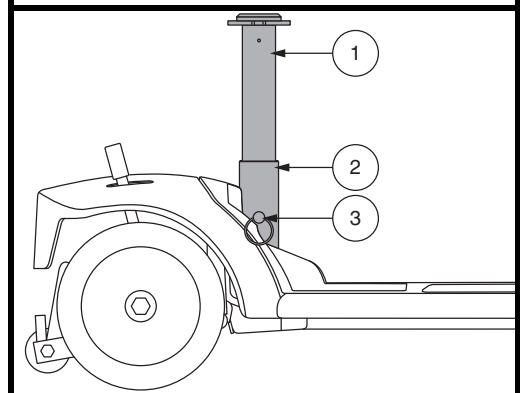


Figure 19. Réglage de la hauteur du siège

V. REGLAGES CONFORT

REGLAGE DE LA SUSPENSION DU SIEGE (SI EQUIPÉ)

Le mât du siège agit comme un absorbeur et peut être ajusté à différents degrés pour le confort de la conduite. Utilisez les vis de réglage qui sont visibles à travers la fenêtre de réglage sur le côté du mât comme guide lors du réglage. Faites glisser le manchon en caoutchouc vers le haut pour exposer les vis de réglage. **Voir la figure 20.**

Pour faire les réglages du mât du siège:

1. Retirez le siège du Travel Scooter.
2. Retirez le mât du siège du Travel Scooter en retirant la goupille de détente de la partie inférieure du mât du siège, puis soulevez le mât vers le haut et enlevez-le du Travel scooter. **Voir la figure 19.**
3. Insérez une douille de 13 mm avec une extension au bas du mât. **Voir la figure 20.**
4. Tournez dans le sens des aiguilles d'une montre pour adoucir la conduite ou tournez dans le sens inverse des aiguilles d'une montre pour rendre la conduite plus dure.
5. Réinstallez le mât du siège et le siège.

CEINTURE DE POSITIONNEMENT (FACULTATIF)

Votre Travel Scooter peut être équipé d'une ceinture de positionnement de type automobile réglable pour votre confort. **Voir les figures 22 ou 23.** La ceinture de positionnement est conçue pour supporter et empêcher le conducteur de glisser ou d'avancer sur le siège. La ceinture de positionnement n'est pas une ceinture de sécurité.



MISE EN GARDE! La ceinture de positionnement doit être sécurisée à tout moment. Ne laissez jamais la ceinture de positionnement suspendue en l'air ou traîner sur le sol car elle peut s'emmêler.

Pour installer la ceinture de positionnement (si requis):

1. Retirez le siège du Travel Scooter.
2. Placez le siège à l'envers pour faire face à sa base. **Voir la figure 21.**
3. Retirez les deux boulons aux extrémités de la courroie de montage du siège.
4. Insérez les boulons dans la ceinture (bout approprié) et au travers de la courroie de montage de chaque côté du siège.
5. Resserrez les boulons.

CLE D'IDENTIFICATION

1. Protection en caoutchouc
2. Vis de réglage
3. Point d'insertion du cliquet

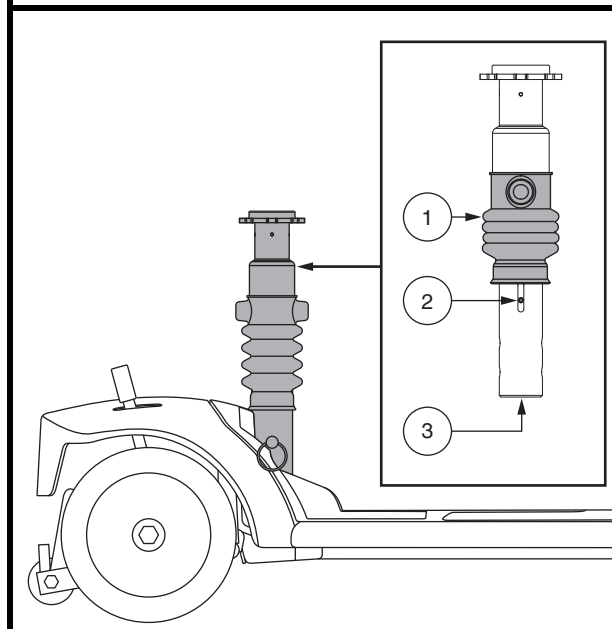


Figure 20. Reglage de la suspension du siege

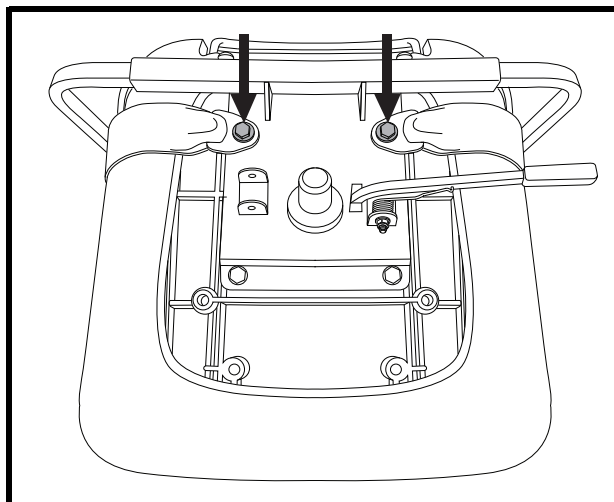


Figure 21. Boulons du Ceinture de positionnement

V. REGLAGES CONFORT

Ceinture de positionnement de type attache en métal

Pour régler le confort de la ceinture de positionnement:

1. Insérez l'onglet de la ceinture côté droit dans la boucle de ceinture côté gauche jusqu'à ce que vous entendiez le "clic". Voir la figure 22.
2. Tirez sur la courroie du côté droit jusqu'à ce que la tension soit adéquate mais pas trop serrée.

Pour détacher la ceinture de positionnement:

1. Pesez sur le bouton de détente du mécanisme sur le boîtier de plastique.

Crochet réutilisable et boucle de fixation, ceinture de positionnement

Pour régler le confort de la ceinture de positionnement:

1. Alignez les deux côtés de la ceinture en plaçant les deux bouts directement au-dessus du côté de l'attache ("crochet") du côté opposé de la ceinture. Pressez fermement ensemble pour attacher. Voir la figure 23.

Pour détacher la ceinture de positionnement:

1. Attrapez le bout de la boucle de la ceinture et tirez vers le haut pour détacher l'autre côté de la ceinture.

OBLIGATOIRE! Assurez-vous que la ceinture de positionnement soit en place et bien réglée pour votre confort.



OBLIGATOIRE! Avant chaque utilisation du scooter, inspectez la courroie de positionnement pour pièces détachées ou dommages, y compris les déchirures, zones usées, la quincaillerie pliée ou mécanismes de verrouillage endommagés, la saleté ou débris. Si vous découvrez un problème, contactez votre détaillant autorisé pour la réparation.

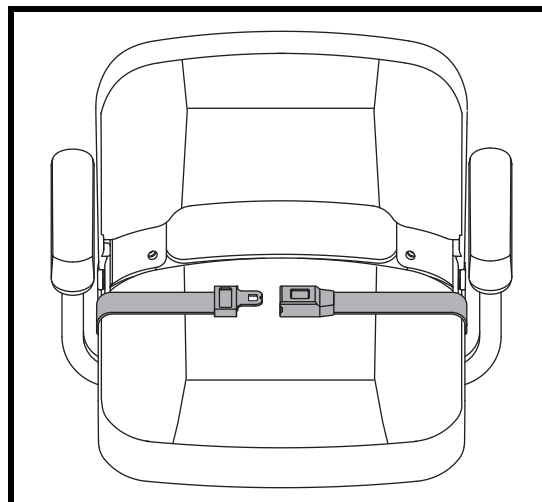


Figure 22. Ceinture de positionnement - De type attache in métal

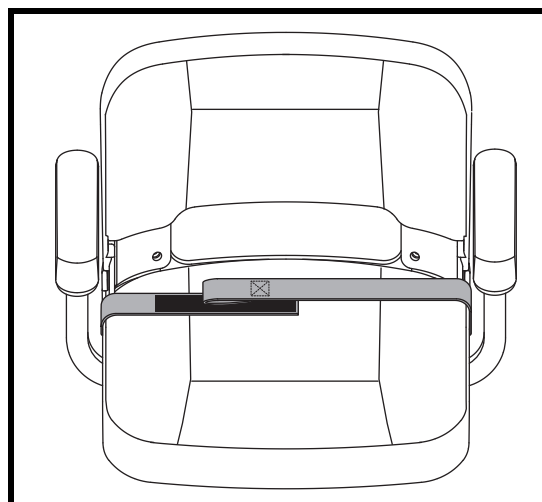


Figure 23. Ceinture de positionnement - Crochet réutilisable et boucle de fixation

VI. MONTAGE ET DEMONTAGE

DEMONTAGE

Le Travel Scooter est démontable en plusieurs sections: le siège, la section arrière, la section avant, le panier, le module à batteries, et la capot à batteries, (seulement des modèles 83 et 84). **Voir la figure 24.** Aucun outil n'est requis pour assembler ou démonter le Travel Scooter cependant gardez en mémoire que les pièces démontées occuperont plus d'espace de plancher que le fauteuil complètement assemblé. Toujours procéder à l'assemblage ou au démontage de votre Travel Scooter sur une surface sèche et à niveau. Assurez-vous d'avoir environ 1.5 mètre (cinq pieds) de dégagement dans toutes les directions. Gardez en mémoire que certaines composantes du Travel Scooter sont lourdes et qu'il vous faudra possiblement de l'aide pour les manipuler.



MISE EN GARDE! Ne tentez pas de soulever plus que vous ne le pouvez. Demandez de l'aide au besoin pour l'assemblage ou le démontage de votre Travel Scooter.

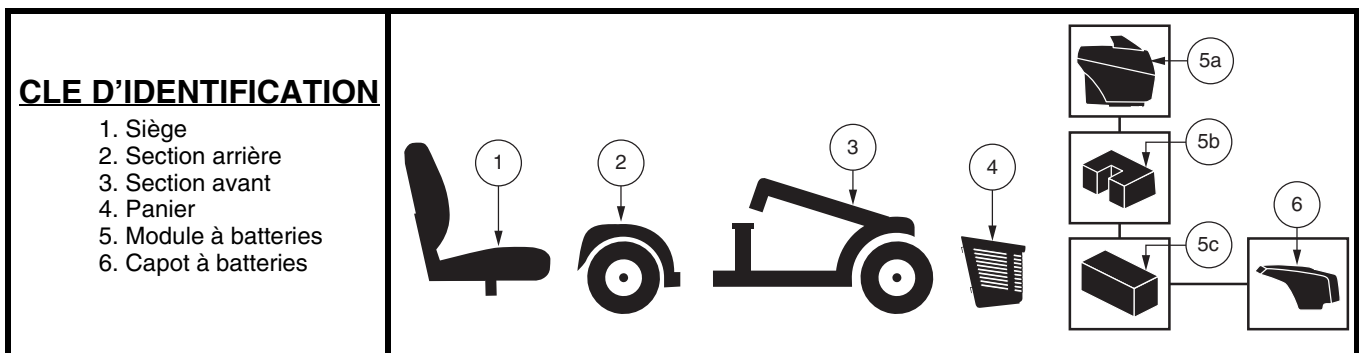


Figure 24. Démontage du Travel Scooter

Les procédures de démontage - Modèles 36, 83, et 84

1. Retirez la clé du contact.
2. Pour bloquer le guidon en ligne droite, pesez sur le bouton et tournez-le 90° dans le sens des aiguilles d'une montre. **Voir la figure 25.** La roue avant doit faire face à l'avant afin de pouvoir bloquer le guidon.
3. Retirez le siège en le soulevant bien droit à la verticale. Si le siège résiste et ne s'enlève pas facilement, pesez sur le levier de pivot du siège pour le bouger de gauche à droite afin de soulever et le retirer le siège.
4. Retirez doucement le capot à batteries en le soulevant bien droit vers le haut et l'enlever du siège. (Seulement des modèles 83 et 84).
5. Débranchez les câbles de la batterie. **Voir la figure 16.**
6. Débranchez l'avant et l'arrière des câbles. **Voir la figure 16.**
7. Détachez les courroies d'ancrage des batteries. (Seulement des modèles 83 et 84). **Voir la figure 16.**
8. Retirez le module à batteries en le soulevant bien droit vers le haut et l'enlever du siège.

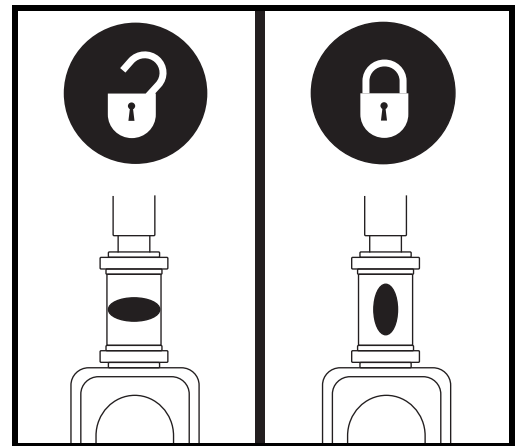


Figure 25. Bouton de verrouillage du guidon

Les procédures de démontage - Modèles 40X, 44X, 40E, 44E, 40LX, 44LX, 50LX, 54LX, 53, 53HD, 54, 54HD, 73, et 74

1. Retirez la clé du contact et puis pour bloquer le guidon en ligne droite, pesez sur le bouton et tournez-le 90° dans le sens des aiguilles d'une montre. **Voir la figure 25.** La roue avant doit faire face à l'avant afin de pouvoir bloquer le guidon.
2. Retirez le siège en le soulevant bien droit à la verticale. Si le siège résiste et ne s'enlève pas facilement, pesez sur le levier de pivot du siège pour le bouger de gauche à droite afin de soulever et le retirer le siège.
3. Retirez le module à batteries en le soulevant bien droit vers le haut et l'enlever du siège.

VI. MONTAGE ET DEMONTAGE

NOTE: Veuillez vérifier la table des caractéristiques du Travel Scooter sur la page 32 afin de déterminer si votre scooter dispose d'un levier de blocage ou d'une goupille de verrouillage en place avant de tenter de séparer le châssis.

Démontage du châssis

1. Avec le siège et la batterie retirés (voir les procédures de démontage sur la page précédente), abaissez le guidon et serrez le bouton de réglage. **Voir la figure 17.**
2. Retirez la goupille de verrouillage du châssis. (Seulement des modèles 83 et 84.)
3. Tirez sur le levier de blocage du châssis, (**OU tirez le mât du siège sur les modèles 36, 83, et 84**) faites pivoter la section arrière vers l'arrière jusqu'à ce que les crochets se dégagent de la tubulure du châssis inférieur.
4. Séparez doucement les sections du Travel Scooter. **Voir la figure 26.**

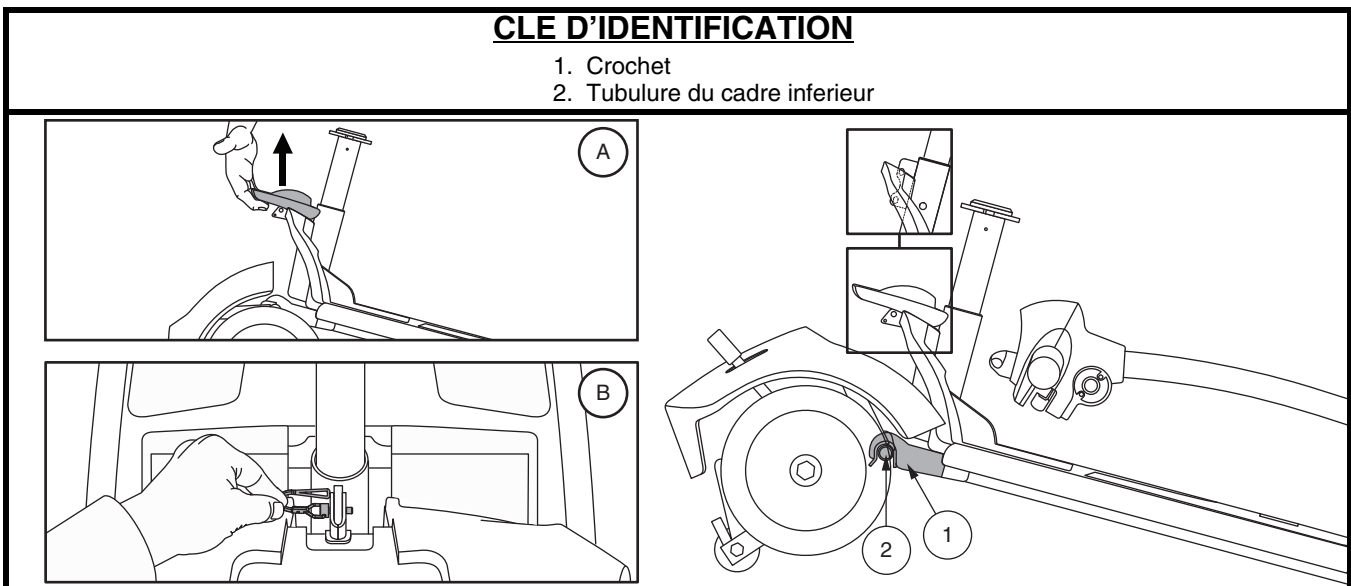


Figure 26. Levier de blocage du cadre (Style A) et Libérez la goupille de verrouillage de blocage du châssis (Style B)

MONTAGE

NOTE: Avant de débiter l'assemblage, basculez légèrement la section arrière du Travel Scooter vers ses rolettes antibasculer tel que montré dans la figure 26.

1. Soulevez la section avant par le levier de blocage (ou le mât du siège sur les modèles 36, 83, et 84) et alignez les crochets avec la tubulure de la section arrière. **Voir la figure 26.**
2. Une fois que les crochets du châssis sont sur le tube inférieur du châssis, abaissez la section inférieure avant et faites pivoter la section arrière simultanément. Ceci engagera le verrouillage du châssis automatiquement pour les modèles 40X, 44X, 40E, 44E, 40LX, 44LX, 50LX, 54LX, 53, 53HD, 54, 54HD, 73, et 74. Pour les modèles 36, 83, et 84, vous aurez besoin de réinstaller la goupille de verrouillage du châssis pour terminer l'assemblage du corps. **Voir la figure 26.**
3. Remontez complètement le guidon en position et resserrez le bouton de blocage. **Voir la figure 17.**
4. Réinstallez le module à batteries. Pour les modèles 36, 83, et 84, assurez-vous de rebrancher la batterie et les câbles avant et arrière de la batterie.
5. Réinstallez le siège et faites-le pivoter pour le bloquer en place.
6. Débloquez la roue avant en tournant le bouton de blocage 90° dans le sens opposé aux aiguilles d'une montre. **Voir la figure 25.**



MISE EN GARDE! Toujours vérifier que le guidon est déverrouillé avant de monter sur votre Travel Scooter.

VII. PROBLEMES ET SOLUTIONS

Tout appareil électronique nécessite un entretien régulier. Souvent, lorsque des problèmes surviennent, le gros bon sens règle la plupart d'entre eux. De plus, plusieurs problèmes sont causés par des batteries défectueuses ou insuffisamment chargées.

DIAGNOSTIQUE PAR CODE DE KLAXONNEMENT

Ce type de diagnostic est prévu pour vous aider à identifier les problèmes possibles avec votre Travel Scooter. Ce code de klaxonnement se produira dans l'éventualité où une des situations décrites ci-dessous se manifeste. Selon le modèle que vous possédez, votre Travel scooter communiquera à l'aide des méthodes de codage suivantes:

1. Un code sonore commence par une série de "bips" rapides suivie de "bip" plus lent représentant le code actuel. Le code est émis une fois seulement. Pour réentendre le code, retirez la clé et réinsérez-la et tournez vers la position "on", **OU**
2. Un code sonore permettra d'identifier la condition, en pause, puis le code sonore se répétera. Le code sonore continuera à vous alerter de cette manière jusqu'à ce que le scooter soit éteint.

NOTE: Votre Travel Scooter ne fonctionnera pas tant que la condition qui crée ce code de klaxonnement n'est pas résolue et que votre Travel Scooter a été éteint puis rallumé.

CODES	PROBLEMES	SOLUTION
■ (1)	Batteries trop faibles pour le fonctionnement du Travel Scooter.	Rechargez les batteries dès que possible.
■■ (2)	Batteries faibles.	Rechargez les batteries.
■■■ (3)	Voltage trop élevé pour le fonctionnement ou le chargeur est encore branché au réceptacle.	Débranchez le chargeur, coupez le contact et rétablissez-le. Si vous descendez une pente, réduisez la vitesse du scooter au minimum.
■■■■ (4)	Coupe-circuit automatique engagé.	Coupez le contact pendant quelques minutes puis, rétablissez-le.
■■■■■ (5)	Le levier d'embrayage est en position débrayé (vers l'avant).	Coupez le contact (retirez la clé) poussez le levier d'embrayage vers l'arrière (embrayé) et remettez le contact.
■■■■■■ (6)	Levier d'accélérateur n'est pas en position centrée lorsque lors de l'allumage.	Vérifiez si les batteries sont chargées complètement. Si elles le sont, alors remplacez le levier au centre, coupez le contact et rétablissez-le.
■■■■■■■ (7)	Potentiomètre de vitesse en panne.	Contactez votre détaillant autorisé pour obtenir de l'aide.
■■■■■■■■ (8)	Moteur en panne.	Contactez votre détaillant autorisé pour obtenir de l'aide.
■■■■■■■■■ (9)	Autres problèmes internes.	Contactez votre détaillant autorisé pour obtenir de l'aide.

Que faire si le Travel Scooter refuse de bouger lorsque j'appuis sur les accélérateurs?

- Lorsque le levier d'embrayage est en position poussée vers l'avant, les freins sont relâchés et le courant est complètement coupé.
- Poussez le levier d'embrayage vers l'arrière, coupez le contact du fauteuil puis remettez le contact pour rétablir le fonctionnement normal.

VII. PROBLEMES ET SOLUTIONS

Que faire si le Travel Scooter semble complètement “mort?”

- Assurez-vous que la clé de contact est bien insérée à fond.
- Vérifiez que les batteries soient pleinement chargées.
- Pesez sur le bouton du disjoncteur principal. Voir la section II. “Votre Travel Scooter”.
- Assurez-vous que le module est bien en place
- Assurez-vous que les câbles avant et arrière sont bien branchés. (Seulement des modèles 36, 83, et 84.)
- Assurez-vous que le dispositif sauve énergie n’est pas activé. Voir la section IV. “Fonctionnement”.
- Vérifiez le fusible sous le module à batteries.

Dans l’éventualité où un fusible venait à brûler:

1. Retirez le fusible de sa fente en tirant dessus.
2. Examinez-le pour vérifier s’il est brûlé. **Voir la figure 27.**
3. Insérez un nouveau fusible de résistance adéquate.



MISE EN GARDE! Le nouveau fusible doit être identique à celui que vous devez remplacer sous peine d’endommager le système électrique.

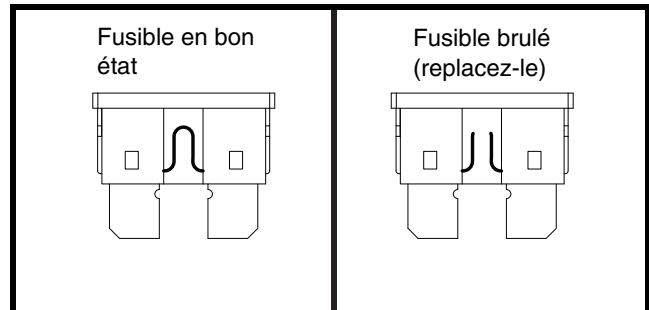


Figure 27. Le remplacement des fusibles

Que faire si les batteries de mon Travel Scooter ne se rechargent pas?

- Vérifiez le fusible situé sous le module à batteries. Remplacez-le au besoin.
- Pendant la recharge, si le voyant du chargeur ne s’allume pas pour indiquer que la recharge est complétée, vérifiez le fusible situé sous le module à batteries. Remplacez-le au besoin.
- Assurez-vous que les deux extrémités du cordon du chargeur sont bien branchées.
- Si le fusible du module à batteries saute continuellement, contactez votre détaillant autorisé.

Que faire si le disjoncteur saute à répétition?

- Si le disjoncteur principal saute continuellement, contactez votre détaillant autorisé.
- Rechargez vos batteries plus souvent. Voir la section III. “Batteries et recharge”.
- Si le problème persiste, faites vérifier vos batteries par votre détaillant autorisé.
- Vous pouvez également tester vos batteries vous-même. Vous trouverez un appareil de test chez un détaillant de pièces automobiles.
- Suivez les instructions fournies avec l’appareil.
- Voyez la section III. “Batteries et recharge” ou la section “Specifications de Produit” pour les informations concernant les batteries de votre Travel Scooter.

Que faire si l’aiguille de la jauge à batteries plonge et que le moteur hésite lorsque j’appuis sur l’accélérateur de mon Travel Scooter?

- Rechargez complètement vos batteries. Voir la section III. “Batteries et recharge”.
- Faites tester vos batteries par votre détaillant autorisé.
- Ou référez-vous aux instructions ci-haut pour tester vos batteries vous-même.

Si vous rencontrez des problèmes que vous n’arrivez pas à résoudre vous-même, contactez votre détaillant autorisé pour obtenir des informations ou du service.

VIII. SOINS ET ENTRETIEN

Votre Travel Scooter demande un minimum de soins. Si vous croyez ne pas posséder les connaissances et habiletés pour exécuter les consignes suivantes, vous pouvez les faire exécuter par votre détaillant autorisé. Les points suivants demandent un entretien périodique.

PNEUS

Inspectez régulièrement les pneus pour détecter les signes du dommage ou d'usure.

REPLACEMENT D'UNE ROUE/PNEU

Votre Travel Scooter est équipé de pneus à âme pleine. Si vous avez un pneu endommagé ou usé, la roue entière doit être remplacée. Contactez votre détaillant autorisé pour de plus amples informations au sujet des pneus de remplacement pour votre Travel Scooter.



MISE EN GARDE! Seulement votre détaillant autorisé ou un technicien spécialisé doit réparer les roues de votre Travel Scooter.

MISE EN GARDE! Assurez-vous que la clé est retirée de l'interrupteur à clé et le Travel Scooter n'est pas en mode roue libre avant d'effectuer cette réparation procédure.

Procédez selon les étapes suivants pour réparer les pneus à âme pleine en toute sécurité:

1. Enlevez la clé du contact et assurez-vous que le Travel Scooter n'est pas en mode roue libre.
2. Élevez le côté du Travel Scooter sur lequel vous désirez enlever le pneu. Placez des cales de bois sous la structure du Travel Scooter pour l'élever.
3. Enlever l'écrou et la rondelle de roue motrice sur l'essieu. **Voir la figure 28.**
4. Retirez la roue motrice de son essieu.
5. Glisser la nouvelle roue en place. Assurez-vous que la clé est bien ancrée dans la rayure de clé.



MISE EN GARDE! Assurez-vous que la clé de l'essieu soit correctement installée dans la fente de l'essieu lors du montage de la roue. Si elle n'est pas installée en toute sécurité, les freins sont relâchés qui peut provoquer cela pourrait causer des blessures et/ou dommages au produit.

6. Réinstallez la rondelle et l'écrou sur l'essieu et serrez bien.



MISE EN GARDE! Assurez-vous de bien réinstaller la rondelle et l'écrou avant de serrer correctement.

7. Retirez les cales sous le Travel Scooter.

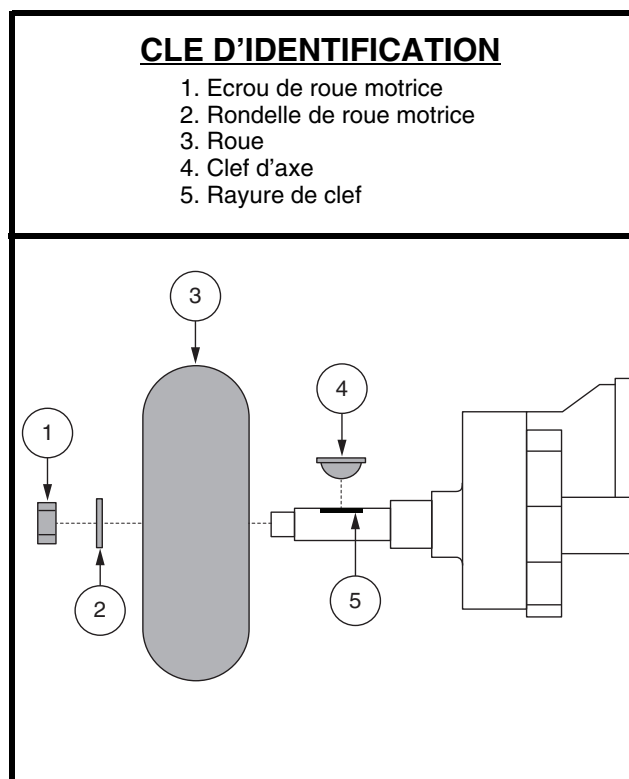


Figure 28. Enlèvement de la roue motrice à âme pleine

VIII. SOINS ET ENTRETIEN

SURFACES EXTERNES

Les pare-chocs et garnitures peuvent bénéficier d'une couche occasionnelle de protecteur à caoutchouc.



MISE EN GARDE! Ne jamais appliquer de protecteur à caoutchouc sur la bande de roulement des pneus ou sur le siège de vinyle au risque de les rendre très glissants.

NETTOYAGE ET DESINFECTION

- Utilisez un linge humide sans agent abrasif pour nettoyer les surfaces de métal ou de plastique de votre Travel Scooter. Évitez les produits abrasifs qui abîmeront les surfaces de votre Travel Scooter.
- Au besoin, utiliser un produit désinfectant. Assurez-vous que le produit n'est pas dangereux avant de l'utiliser.



MISE EN GARDE! Respectez les consignes d'utilisation du produit de nettoyage. Lisez les instructions avant d'utiliser le produit sous peine d'endommager le revêtement et les finis ou de provoquer une irritation cutanée.

CONNEXIONS DES BORNES DE BATTERIES

Assurez-vous que les connexions des bornes de batteries sont bien serrées et libre de corrosion.

CABLAGES ELECTRIQUES

- Vérifiez régulièrement l'état de la gaine du câble avant/arrière.
- Inspectez régulièrement la gaine protectrice de fils et câbles incluant le cordon du chargeur à batteries.
- Faites réparer tous les câbles ou les fils endommagés par votre détaillant autorisé avant d'utiliser votre Travel Scooter.



INTERDIT! Même si votre Travel Scooter a réussi un test de résistance à l'humidité, éloignez-le des sources d'humidité ou de liquide tel que l'eau de lavage et l'incontinence. Inspectez régulièrement les composants pour déceler la corrosion.



MISE EN GARDE! Ne tirez pas directement sur les câbles pour les détacher du Travel Scooter. Il faut toujours prendre le connecteur pour détacher le câble afin d'éviter les dommages.

CAPOTS

Le capot du guidon, le capot avant et le capot arrière sont protégés par une peinture à base d'uréthane. Une couche occasionnelle de cire automobile peut en protéger l'éclat.

ROULEMENTS A BILLE ET MODULE MOTEUR/TRANSMISSION

Ces pièces sont scellées à l'usine et ne requièrent aucune lubrification.

BROSSES DU MOTEUR

Celles-ci sont à l'intérieur du module moteur/transmission. Faites-les inspecter par votre détaillant autorisé périodiquement.

CONSOLE, CHARGEUR ET MODULE DE COMMANDES ELECTRONIQUES

- Protégez-les de l'humidité.
- Si une de ces composantes venait à être exposée à de l'humidité, laissez sécher votre Travel Scooter complètement avant de l'utiliser à nouveau.

VIII. SOINS ET ENTRETIEN

REPLACEMENT D'ECROU AUTOFREINE EN NYLON

Tout écrou autofreiné en nylon retiré pendant l'entretien périodique, la réparation, le montage ou démontage du Travel Scooter doit être remplacé par un neuf. Les écrous de nylon ne doivent pas être réutilisés car ceux-ci peuvent se desserrer et entraîner un danger. Des écrous de remplacement en nylon sont disponibles dans les quincailleries ou chez votre détaillant autorisé.

ENTREPOSAGE DE VOTRE TRAVEL SCOOTER

Si vous pensez ne pas utiliser votre Travel Scooter pour une période prolongée:

- Rechargez les batteries complètement avant d'entreposer votre Travel Scooter.
- Débranchez les batteries du Travel Scooter.
- Entreposez votre Travel Scooter dans un endroit sec à l'abri du gel.
- Évitez d'entreposer votre Travel Scooter dans un endroit exposé à des températures extrêmes.
- Température de stockage recommandée: -75°C/-104°F to 70°C/158°F.

Des batteries qui sont souvent déchargées trop profondément, rechargées de manière infrequente, entreposées sous des températures extrêmes ou insuffisamment chargées peuvent être endommagées de façon permanente. Ces batteries auront de piètres performances et durent moins longtemps. Il recommande de recharger les batteries de votre Travel Scooter de façon périodique pendant l'entreposage prolongé afin de protéger leurs performances futures.



MISE EN GARDE! Si les batteries de votre Travel Scooter venaient à geler, ne tentez pas de les recharger. Une batterie gelée doit être laissée dans un endroit tempéré plusieurs jours avant d'être rechargée.

Afin de protéger les pneus pendant l'entreposage, placez des cales de bois sous le Travel Scooter de manière à ce que les pneus ne soient pas en contact avec le sol. Ceci évitera la déformation de la semelle.

COMMENT DISPOSER DE VOTRE TRAVEL SCOOTER

Vous devez disposer de votre Travel Scooter en respectant les règlements en vigueur dans votre localité. Contactez votre centre de recyclage ou votre détaillant autorisé pour les informations pour la mise au rebut de l'emballage, des composants métalliques, plastiques, électroniques, batteries, néoprène, silicone, et les matériaux de polyuréthane.



MONTAGE



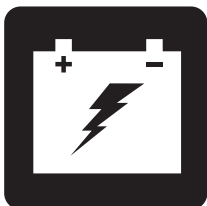
GEBRUIK



INSTELBAARHEID



ONDERHOUD



ACCU'S EN HET LADEN



TRAVEL SCOOTER SERIE

GEBRUIKSHANDLEIDING

FUNCTIETABEL VAN TRAVEL SCOOTER

Modellen	Stijl van bedieningspaneel				Stijl van accuhouder			Accu's en het laden		Stijl van blokkeerpen frame		Opties*			
		A	B	C	D	A	B	C	Op de eenheid	Buiten de eenheid	A Frame-ontgrendhendel	B Blokkeerpen	Ophanging van stoelpen	Verlichting	Verwisselbare kleurpanelen
36	•					•			•	•		•			
40X	•					•			•	•	•				
44X	•					•			•	•	•				
40E		•	•AU only			•			•	•	•				•
44E		•	•AU only			•			•	•	•				•
40LX				•	•				•	•	•		•	•	•
44LX				•	•				•	•	•		•	•	•
50LX				•	•				•	•	•		•	•	•
54LX				•	•				•	•	•		•	•	•
53			•		•				•	•	•				•
53HD			•		•				•	•	•				•
54			•		•				•	•	•		•		•
54HD			•		•				•	•	•				•
73				•	•				•	•	•		•	•	•
74				•	•				•	•	•		•	•	•
83		•						•	•			•			
84		•						•	•			•			

**LET OP: De opties van Travel Scooter verschillen per land. Neem contact op met uw leverancier om vast te stellen welke opties er beschikbaar zijn voor uw Travel Scooter.*

LET OP: Zorg ervoor dat u het modelnummer van uw Travel Scooter weet. Dit nummer bevindt zich op het blad met de productspecificaties in uw eigenarenpakket. In deze handleiding voor eigenaren worden kenmerken van Travel Scooter aangegeven per modelnummer (uiterste linkerkolom op de functietabel van de Travel Scooter). Aan de hand van het modelnummer van uw eenheid kunt u bepalen welke unieke kenmerken uw specifieke Travelscooter bezit.

BEOOGD GEBRUIK

Het beoogde gebruik voor het apparaat van is het bieden van mobiliteit aan personen die zijn beperkt tot een zittende positie en die in staat zijn een Scootmobiel te bedienen.

OPMERKING: Deze eigenaars handleiding is samengesteld uit de laatste specificaties en product informatie op de tijd van publicatie. We behouden ons het recht voor veranderingen aan te brengen indien nodig. Enige veranderingen aan onze producten kunnen geringe verschillen tussen de illustraties en de verklaringen in deze handleiding tot stand brengen en het product welk u gekocht heeft. De meest recente/huidige versie van deze handleiding is via onze website verkrijgbaar.

LET OP: Dit product voldoet aan richtlijnen en vereisten van WEEE, RoHS en REACH.

LET OP: Dit product voldoet aan IPX4 classificatie (IEC 60529).

LET OP: Het Travel Scooter en de bijbehorende onderdelen zijn niet vervaardigd met natuurlijke rubberlatex. Raadpleeg de fabrikant met betrekking tot eventuele onderdelen en/of accessoires.



INHOUD

VEILIGHEIDSVOORSCHRIFTEN	63
I. VEILIGHEID	64
II. UW SCOOTMOBIEL	66
III. ACCU'S EN HET LADEN	73
IV. GEBRUIK	79
V. INSTELBAARHEID	81
VI. DEMONTAGE EN MONTAGE	84
VII. HET OPLOSSEN VAN PROBLEMEN	86
VIII. VERZORGING EN ONDERHOUD	88

VEILIGHEIDSVOORSCHRIFTEN



WAARSCHUWING! Het eerste afstellen van deze scootmobiel en het uitvoeren van alle in deze handleiding gegeven procedures dient door een goedgekeurde Leverancier of een bevoegde monteur te geschieden.

Lees eerst deze handleiding en volg alle instructies op, voordat u van plan bent uw scootmobiel voor het eerst te gaan gebruiken. De volgende symbolen zullen in deze handleiding worden gebruikt om waarschuwing en gevaar aan te geven.



WAARSCHUWING! Geeft een toestand of situatie aan die mogelijk gevaarlijk kan zijn. Indien de aangegeven procedures niet opgevolgd worden, kunnen hierdoor persoonlijke verwondingen, beschadiging van onderdelen, of storingen veroorzaakt worden. Op het product wordt deze afbeelding weergegeven als een zwart symbool op een gele driehoek met een zwart kader.



VERPLICHT! Deze handelingen dienen uitgevoerd te worden zoals is voorgeschreven. Indien verplichte handelingen niet uitgevoerd worden, kunnen hierdoor persoonlijke verwondingen en/of beschadiging van de apparatuur veroorzaakt worden. Op het product wordt deze afbeelding weergegeven als een wit symbool op een blauwe stip met een wit kader.



VERBODEN! Deze handelingen zijn verboden. Deze handelingen dienen op geen enkel ogenblik, of onder welke omstandigheden dan ook, uitgevoerd te worden. Indien een verboden handeling uitgevoerd wordt, kunnen hierdoor persoonlijke verwondingen, en/of beschadiging van de apparatuur veroorzaakt worden. Op het product wordt deze afbeelding weergegeven als een zwart symbool met een rode cirkel en een rode schuine streep.

I. VEILIGHEID

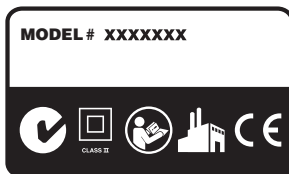
PRODUCT VEILIGHEID SYMBOLEN

De symbolen hieronder zijn gebruikt op de scootmobiel om waarschuwingen, verplichte handelingen, en verboden handelingen aan te geven. Het is van belang dat u deze leest en volkomen begrijpt.

LET OP: Er staan nog meer waarschuwingen en aanwijzingen in de veiligheidsgids voor consumenten die met uw Travel Scooter wordt geleverd. Zorg ervoor dat u op de hoogte bent van alle waarschuwingen en veiligheidsinformatie in de veiligheidsgids voor consumenten en raadpleeg deze informatiebron regelmatig.



Lees en volg de informatie in de gebruikers handleiding.



Scootmobiel informatie etiket.



De accu volledig opladen voor het in werking stellen.

Uit een onbemande Travel Scooter de sleutel verwijderen.



Duidt de bevestigingspunten aan op de scootmobiel.



Deze scootmobiel is niet conform ISO 7176-19 aangaande het transport van een bemande scootmobiel in een motorvoertuig.



Gefabriceerd in.

I. VEILIGHEID

ALGEMEEN



VERPLICHT! Voordat u voor het eerst uw scootmobiel gaat gebruiken dient u eerst deze handleiding volledig te lezen en te begrijpen en de veiligheidsgids voor consumenten.

Uw scootmobiel is ontworpen om uw leven te vergemakkelijken en uw mobiliteit te vergroten. Wij levert een groot aantal producten die het best tegemoetkomen aan de behoeften van de scootmobielgebruiker. Hou er rekening mee dat de uiteindelijke beslissing voor keuze en aankoop betreffende het type scootmobiel dat gebruikt gaat worden uiteindelijk de verantwoordelijkheid is van de scootmobielgebruiker en zijn/haar medische begeleider (zoals arts, fysiotherapeut etc.).

De inhoud van deze handleiding is gebaseerd op de verwachting dat een deskundige op het gebied van mobiliteitshulpmiddelen de scootmobiel heeft afgesteld naar de behoeften van de gebruiker en zorgvuldige gebruiksinstructies heeft gegeven aan de medische professioneel die dit product voorschrijft en/of de bevoegde Leverancier.

Er zijn bepaalde situaties, waaronder enkele medische omstandigheden, waarin de gebruiker in het bijzijn van een deskundige zal moeten oefenen. Dit kan een familielid zijn of een hulpverlener die speciaal getraind is in de begeleiding van een scootmobiel gebruiker bij diverse dagelijkse activiteiten.

In het begin zult u mogelijk situaties tegenkomen waarin u enige oefening nodig hebt. Neem hiervoor de tijd en u zult al snel volledig vertrouwd raken met uw scootmobiel in het manoeuvreren door deuropeningen, in en uit liften, hellingen op en af en over normale oppervlaktes.

Aanvullende algemene informatie kan gevonden worden op de extra informatiebladen en de brochures in uw eigenarenpakket. Lees alle informatie goed door en houd het bij de hand voor toekomstig gebruik.

Hieronder volgen enkele voorzorgsmaatregelen, tips en overige veiligheidsoverwegingen die bedoeld zijn om u bekend te maken met het veilig gebruik van uw nieuwe scootmobiel.

VEILIGHEIDSTEST VOORAF

Maak uzelf vertrouwd met de scootmobiel en zijn mogelijkheden. Wij adviseren om voor ieder gebruik een veiligheidscheck uit te voeren om er zeker van te zijn dat uw scootmobiel soepel en veilig functioneert.

Voer de volgende inspecties uit voordat u uw scootmobiel gaat gebruiken:

- Controleer de banddruk. Controleer dat zij niet beschadigd of overmatig versleten zijn.
- Controleer alle elektrische verbindingen. Verzekert u ervan dat ze goed vast zitten en niet geoxideerd zijn.
- Controleer alle harnas verbindingen. Verzekert u ervan dat ze en de goede werking vast zitten.
- Controleer de remmen om te zorgen dat zij naar behoren functioneren.
- Controleer de accumulator ter garantie dat de accu's volledig geladen zijn.
- Zorg ervoor dat de handmatige vrijloophendel zich in rijmodus bevinden, voordat u op de Scootmobiel gaat zitten.

Constaert u een probleem, neem dan contact op met uw Leverancier. Raadpleeg het inlegblad met contactinformatie in uw eigenarenpakket.

II. UW SCOOTMOBIEL

BEDIENINGSPANEEL

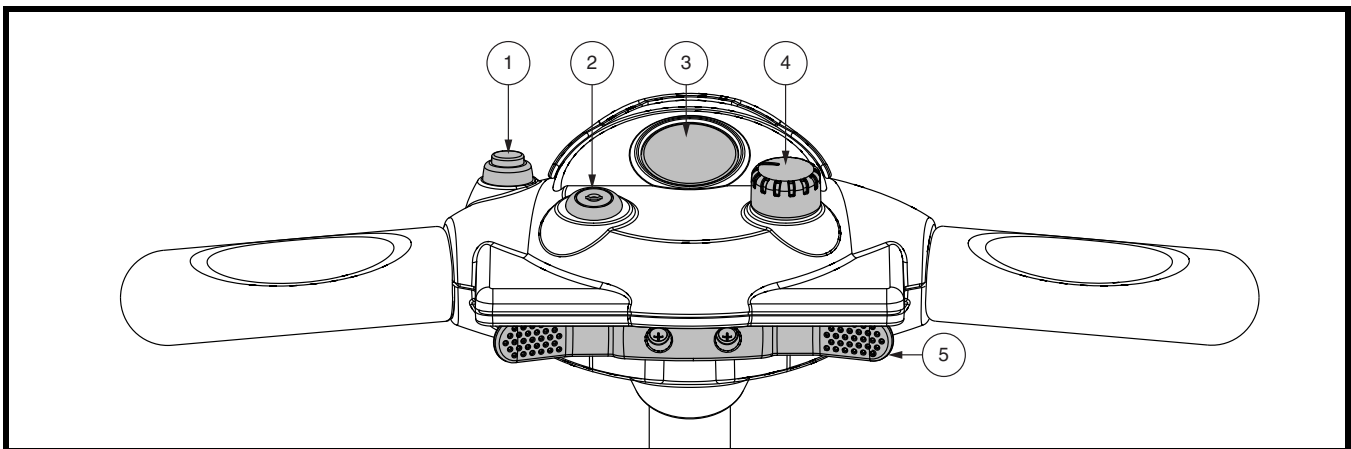
Het bedieningspaneel, op de bovenzijde van het stuur, bevat alle functies die u nodig heeft om uw scootmobiel te berijden. Raadpleeg de *Functietabel voor Travel Scooter* aan de pagina van deze 62 voor gebruikers om te bepalen welke paneelafbeelding u moet kiezen. **Zie figuren 1 tot en met 4.**



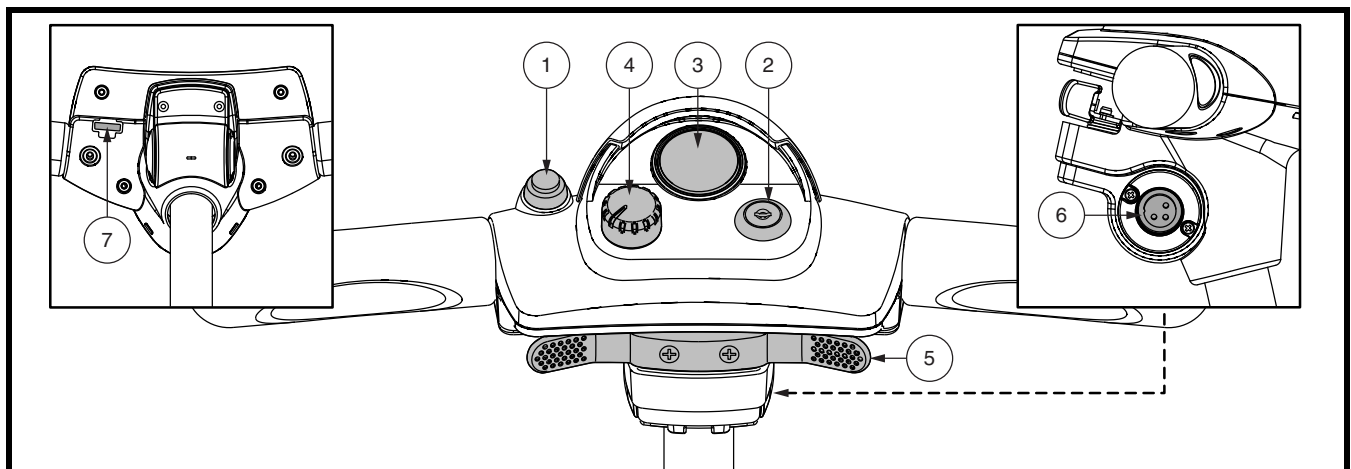
VERBODEN! Stel uw bedieningspaneel niet bloot aan vocht. Indien het toch wordt blootgesteld aan vocht, probeer dan uw scootmobiel niet te gebruiken voordat het paneel volledig is opgedroogd.

IDENTIFICATIELIJST VOOR FIGUREN 1 TOT EN MET 4

- | | |
|------------------------|--|
| 1. CLAXON | 6. CONTACTDOOS VOOR OPLAADSNOER
(PORT VAN DE STUURHENDEL) |
| 2. SLEUTELSCHAKELAAR | 7. BUITENBOORD OPLAADZEKERING |
| 3. ACCU CONDITIE METER | 8. LICHTZEKERING |
| 4. SNELHEIDSSCHAKELAAR | 9. LICHTKNOP |
| 5. GASHENDEL | |

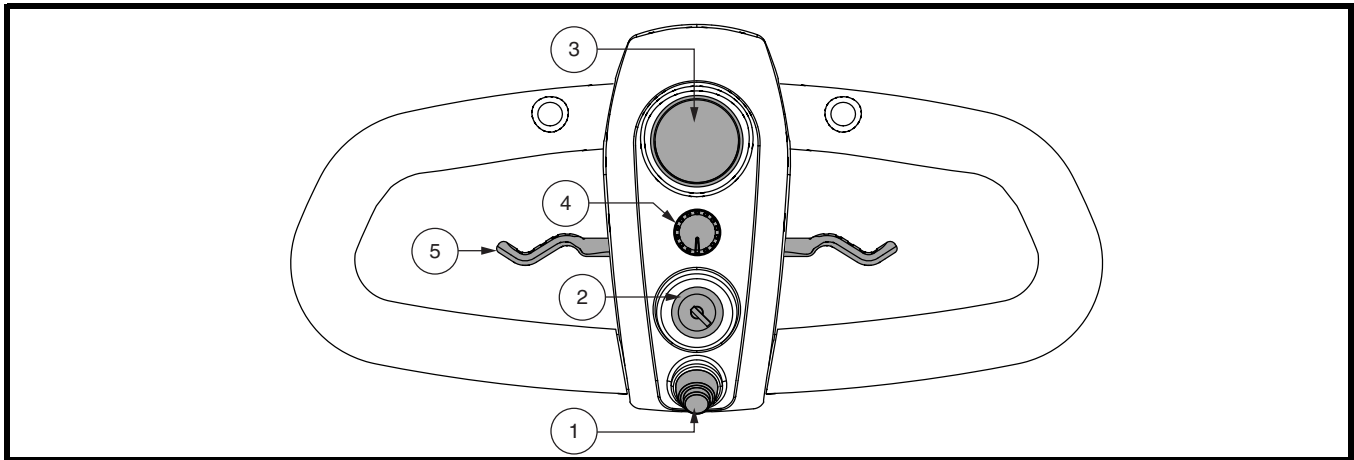


Figuur 1. Bedieningspaneel A

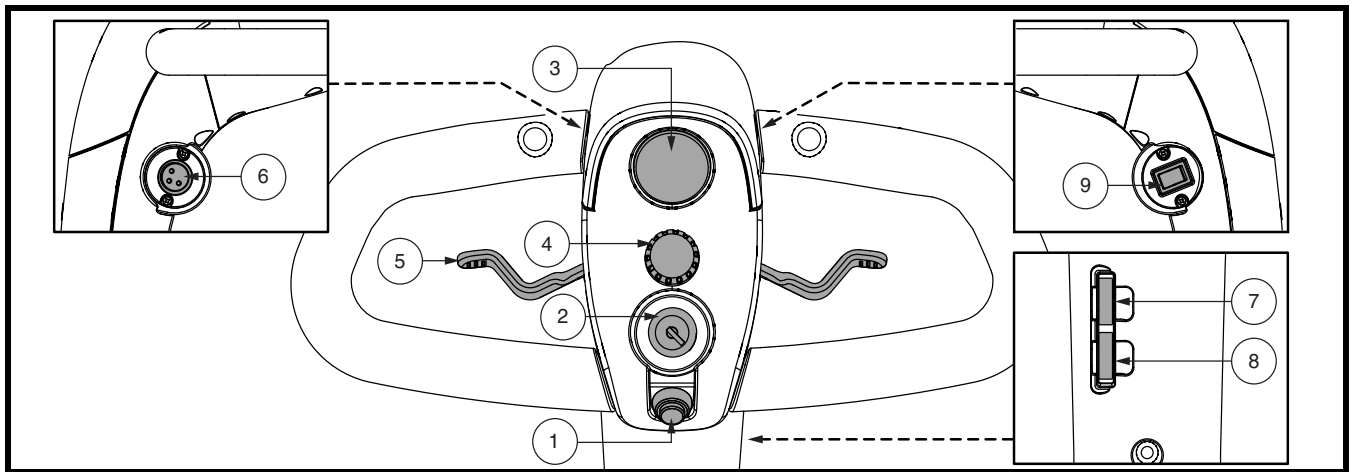


Figuur 2. Bedieningspaneel B

II. UW SCOOTMOBIEL



Figuur 3. Bedieningspaneel C



Figuur 4. Bedieningspaneel D

Claxon

Deze knop activeert de claxon. Zorg dat de sleutel goed in de schakelaar zit. Pas dan kan de claxon functioneren. Aarzel niet uw claxon te gebruiken in gevaarlijke situaties.

Sleutelschakelaar

- Steek de sleutel in contactslot en draai met de klok mee om de Scootmobiel in te schakelen.
- Draai de sleutel tegen de klok in en verwijder de sleutel om de Scootmobiel uit te schakelen.

Hoewel bij de Scootmobiel de sleutel kan worden achtergelaten in de sleutelschakelaar, is het aanbevolen deze te verwijderen om onbevoegd gebruik van uw Scootmobiel te voorkomen.



WAARSCHUWING! Als u de sleutel "off" schakelt terwijl uw scootmobiel in beweging is zullen de elektronische remmen automatisch inschakelen en uw scootmobiel komt tot een abrupte stop.

Accu Conditie Meter

Als u de sleutel in de schakelaar steekt, zal deze meter bij benadering de batterijsterkte weergeven. Voor verdere informatie over de accu conditie meter, zie III. "Accu's en het Laden."

II. UW SCOOTMOBIEL

Snelheidsschakelaar

Deze schakelaar maakt het mogelijk de snelheid van te voren in te stellen.

- De afbeelding van de schildpad geeft de langzaamste stand aan.
- De afbeelding van de haas geeft de snelste stand aan.

Gashendel

Deze hendels geven u de controle over de snelheid voor- en achteruit van de Scooter of, afhankelijk van de stand van de knop van de Scooter voor instelling.

- Plaats uw rechterhand op de rechter handgreep en uw linkerhand op de linker handgreep.
- Gebruik uw rechter duim om tegen de rechter hendel te drukken, om zo de rem te ontkoppelen en vooruit te rijden.
- Laat de hendel los en laat uw scootmobiel volledig tot stilstand komen voordat u de linker gashendel indrukt om achteruit te rijden.
- Wanneer de gashendel volledig wordt losgelaten, valt deze automatisch terug in de "stop" positie en ontkoppelt de remmen.

Verlichting schakelaar (Indien hiermee uitgerust)

Deze schakelaar bedient de verlichting van uw Scootmobiel. **Zie figuur 4.**

- Tuimel de schakelaar naar voor om de verlichting in te schakelen.
- Tuimel de schakelaar naar achter om de verlichting uit te schakelen.



WAARSCHUWING! Scooterberijders zijn verplicht licht te voeren wanneer het zicht beperkt is - dag en nacht.

ONDERDELEN AAN DE ACHTERKANT

De handmatige vrijloophendel, anti-kiepwielen en motor/transas-opbouw bevinden zich op uw Travel Scooter, zoals aangegeven. **Zie figuur 5.**



OPGELET! Verwijder de sleutel uit de sleutelschakelaar vooraleer uw scootmobiel in of uit vrijlooptmodus te zetten. Ga nooit zitten op een scootmobiel die zich in vrijlooptmodus bevindt. Zet een scootmobiel nooit in vrijlooptmodus op een helling.

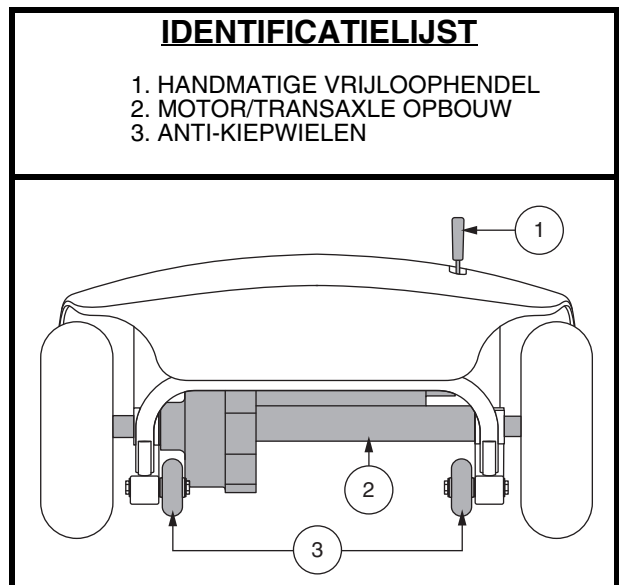
Handmatig te Bedienen Vrijloophendel

Wanneer u uw scootmobiel een klein stukje wilt verplaatsen kunt u deze in de vrijloopt positie zetten.

1. Zoek de handmatige vrijloophendel aan de rechterbovenkant van het achtergedeelte
2. Duw de handmatige vrijloophendel voorruit om het rij- en remsysteem te ontkoppelen. U kunt nu uw scootmobiel duwen.
3. Duw de handmatige vrijloophendel naar achteren om het rij- en remsysteem in te schakelen; hiermee haalt u uw scootmobiel uit de vrijlooptstand.

IDENTIFICATIELIJST

1. HANDMATIGE VRIJLOOPHENDEL
2. MOTOR/TRANSAXLE OPBOUW
3. ANTI-KIEPWIELEN



Figuur 5. Onderdelen aan de achterkant

II. UW SCOOTMOBIEL

WAARSCHUWING! Als u uw scootmobiel in de vrijloop stand zet, zijn de remmen niet ingeschakeld.



- Schakel de motoren enkel uit op een horizontaal oppervlak.
- Verzekert u ervan dat de sleutel niet in het sleutelcontact zit.
- Ga naast de scootmobiel staan om de vrijloop in- of uit te schakelen. Zit nooit op de scootmobiel om dit te doen.
- Nadat u uw scootmobiel geduwd heeft, schakel dan altijd terug in rijstand om de remmen te blokkeren.

Motor/Transaxle Opbouw

De motor/transaxel opbouw is een elektromechanische unit die de elektrische energie van de accu's omzet in de gecontroleerde mechanische energie die de wielen van uw scootmobiel aandrijft.

Anti-kiepwielen

De anti-kiepwielen zijn belangrijk voor uw veiligheid en ontworpen om te voorkomen, dat uw scootmobiel achterover valt op een helling. Ze zijn met bouten aan het frame bevestigd.



VERBODEN! Haal de anti-kiep wielen er niet af of verander uw scootmobiel op geen enkele wijze zonder toestemming van Leverancier.



WAARSCHUWING! De anti-kiepwielen kunnen de vlotte overgang belemmeren van uw scootmobiel als u probeert een trottoir te bestijgen of af te dalen. Bel uw Leverancier voor assistentie/hulp.

Hoofd Stroomonderbreker (Reset Knop)

Wanneer het voltage van de accu's laag wordt of uw scootmobiel moet uiterste inspanning leveren bijvoorbeeld bij zware lading of steile hellingen, dan kan de hoofd stroomonderbreker zichzelf uitschakelen om zo de motor en elektronica te beschermen. **Zie figuur 6.**

- De hoofd stroomonderbreker reset knop komt te voorschijn wanneer de schakelaar losschiet.
- Wanneer de schakelaar losschiet, wordt het gehele elektronische systeem van uw scootmobiel stopgezet.
- Wacht vervolgens een paar minuten om de elektronica “rust te geven.”
- Druk de reset knop in om de hoofd stroomonderbreker te resetten.
- Wanneer de hoofd stroomonderbreker herhaaldelijk losschiet, kan het zijn dat u uw accu's vaker dient op te laden. Ook zou het kunnen zijn dat u uw Leverancier moet vragen de accu's te testen.
- Indien de hoofd stroomonderbreker er herhaaldelijk uit springt, dient u uw Leverancier te bezoeken voor service.

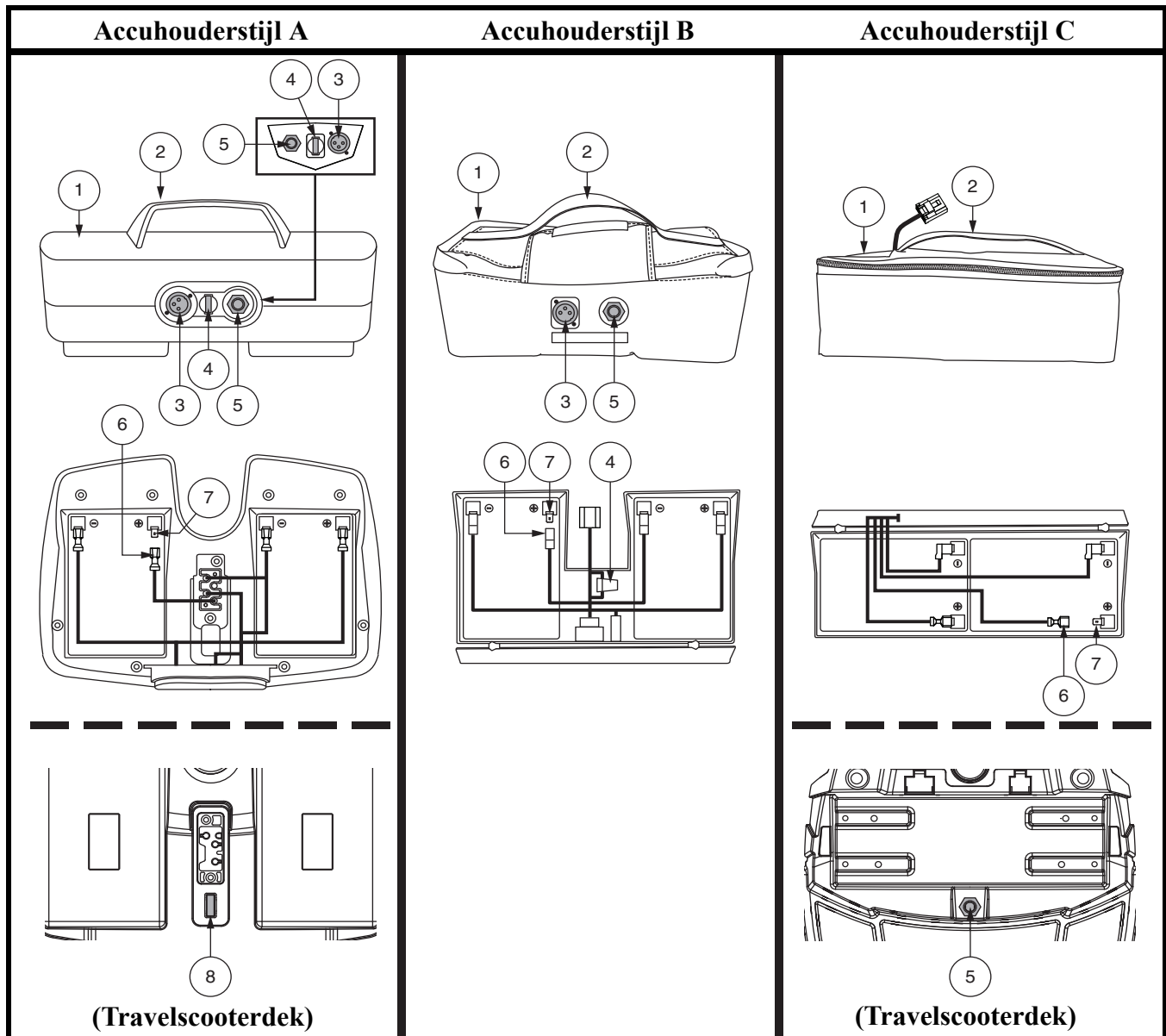
II. UW SCOOTMOBIEL

ACCUHOUDER

Uw scootmobiel is voorzien van een innovatief, eenvoudig te verwijderen accuhouder. Een hendel aan de boven kant van het accuhouder vergemakkelijkt het tillen van het accuhouder uit de scootmobiel met één hand. Het accupack bevat twee herlaadbare batterijen, en kan bevatten de stopcontact voor de externe acculader, de hoofd stroomonderbreker (reset knop), en de zekering plaats. **Zie figuur 6.**

IDENTIFICATIELIJST

- | | |
|--|---|
| 1. ACCUHOUDER | 5. HOOFD STROOMONDERBREKER (RESET KNOP) |
| 2. ACCUHOUDER HENDEL | 6. ACCU BEHUIZING |
| 3. STOPCONTACT VOOR DE EXTERNE ACCULADER | 7. ACCU TERMINALS |
| 4. ZEKERING PLAATS | 8. STUUR CONSOLE ZEKERING |



Figuur 6. Accuhouder

II. UW SCOOTMOBIEL

Stopcontact Voor de Externe Acculader

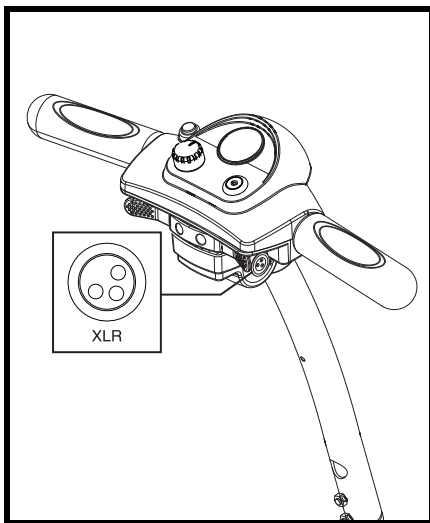
Steek het snoer van de oplader in het laadcontact van uw scootmobiel. **Zie figuren 7 en 8.**

STUUR CONSOLE ZEKERING (INDIEN HIERMEE UITGERUST)

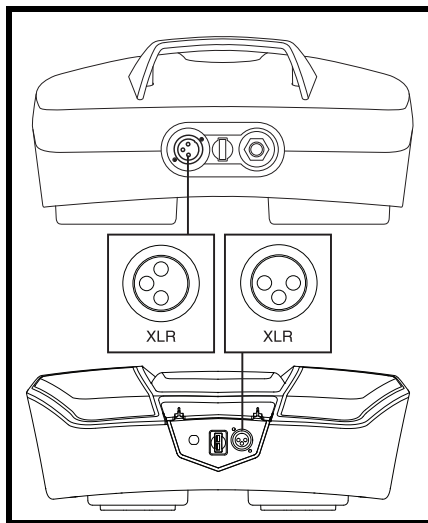
De zekering die zich onder het accu pack bevindt, beveiligd de stuur console elektronica. **Zie figuur 6.** In het geval enig onderdeel van de stuur console niet reageert, controleert u deze zekering. Zie VII. "Eenvoudige problemen oplossen" voor instructies over het vervangen van zekeringen.

EXTERNE ACCULADER

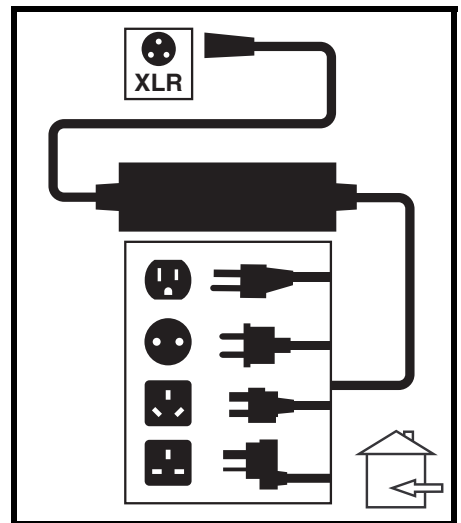
De externe acculader laad uw scootmobiel accu's op wanneer deze aangesloten is aan het laadcontact op uw scootmobiel en het stopcontact in de muur. **Zie figuur 9.**



Figuur 7. Stopcontact voor de externe acculader (Op de stuurhendel gemonteerd)



Figuur 8. Stopcontact voor de externe acculader (Accu pack)



Figuur 9. Externe acculader

VEILIGHEIDSMATREGELEN

Zet de scootmobiel altijd vast in een voorwaartse positie in een voertuig. Maak de 4 riemen vast aan de daarvoorbestemde bevestigingspunten. **Zie figuur 10.** Maak de riemen vast genoeg zodat er geen speling meer op zit. Maak de riemen nooit vast aan aanpasbare, bewegende of verwijderbare onderdelen van de scootmobiel zoals daar zijn, de armlenningen, de kap en de wielen. Deze onderdelen zouden moeten verwijderd worden. De ankerpunten voor de riemen die de scootmobiel langs achteren moeten vastzetten, moeten direct achter de achterwaartse bevestigingspunten op de scootmobiel geplaatst worden. De ankerpunten vooraan moeten wijder zijn dan de scootmobiel om een groter laterale stabiliteit te verzekeren.

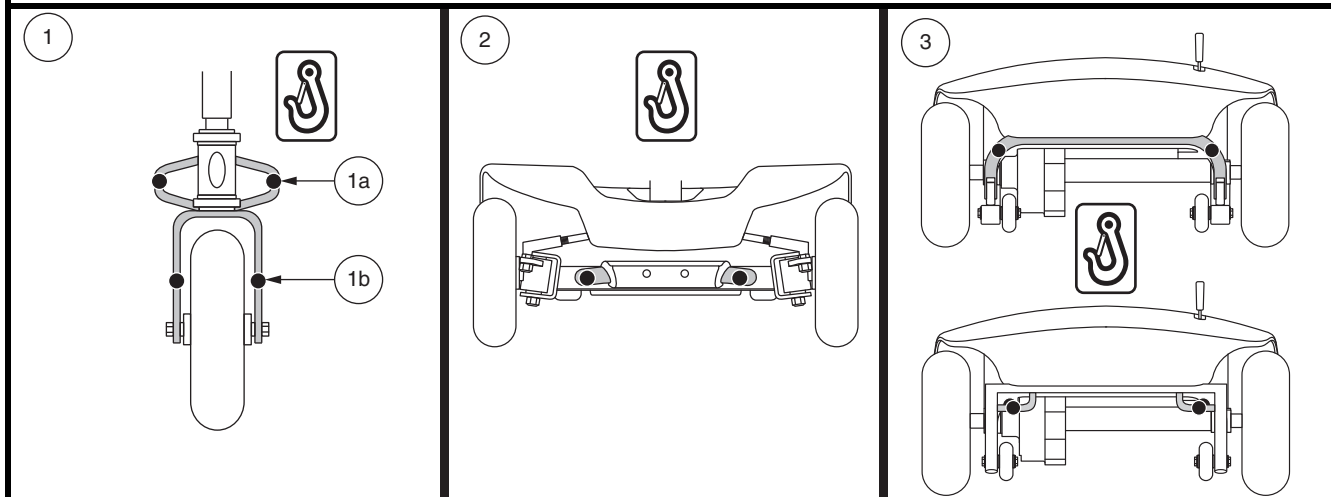


WAARSCHUWING! Verzekert u ervan dat de scootmobiel stevig is vastgemaakt aan het voertuig tijdens het transport. scootmobiele die niet stevig zijn vastgemaakt aan het voertuig, zijn een gevaar voor de gebruiker en andere passagiers in het voertuig in het geval van abrupt remmen, een ongeval of indien u scherp moet uitwijken, omdat de scootmobiel kan omvallen of van zijn plaats kan glijden.

II. UW SCOOTMOBIEL

IDENTIFICATIELIJST

1. Bevestigingspunten aan de voorzijde (Modellen 3-wiel)
 - 1a. Modellen 83 and 84 only
 - 1b. Modellen 36, 40X, 44X, 40E, 44E, 40LX, 44LX, 50LX, 54LX, 53, 53HD, 54, 54HD, 73, en 74
2. Bevestigingspunten aan de voorzijde (Modellen 4-wiel)
3. Bevestigingspunten aan de achterzijde



Figuur 10. Bevestigingspunten (Aangegeven met zwarte stippen)

PLASTIC ONDERDELEN

Op bepaalde modellen, U kunt de kleur van uw scootmobiel veranderen door het verwijderen van de gekleurde plastic onderdelen en deze te vervangen door één van de andere meegeleverde sets. De onderdelen worden op hun plaats gehouden door een haak en lus bevestiging die hergebruikt kan worden. **Zie functietabel van Travel Scooter (de pagina 62).**

Om de plastic onderdelen te verwijderen:

1. Lokaliseer met uw vinger de plaats achter ieder plastic onderdeel waar zich het ontgrendelgat bevindt.
2. Duw door het ontgrendelgat om het plastic onderdeel los te maken van de scootmobiel. **Zie figuur 11.**

Om het stuur console vizier te verwijderen:

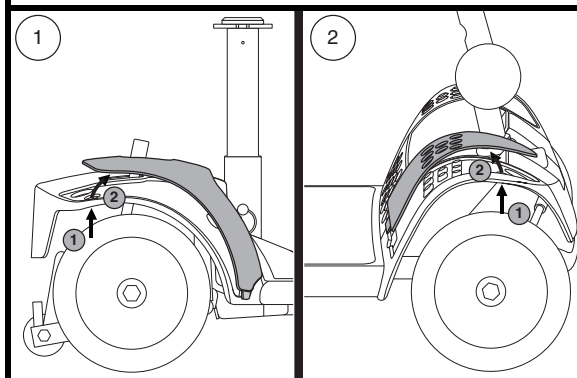
1. Trek voorzichtig de bovenkant van het vizier naar de achterkant van de scootmobiel om het los te maken vande herbruikbare bevestiging, trek vervolgens voorzichtig de zijkanten van het vizier weg van de stuur console en til het op. **Zie figuur 12.**

Om de plastic onderdelen terug te plaatsen, plaatst u ieder onderdeel op de juiste positie en duwt u deze met enige druk in de herbruikbare bevestiging.

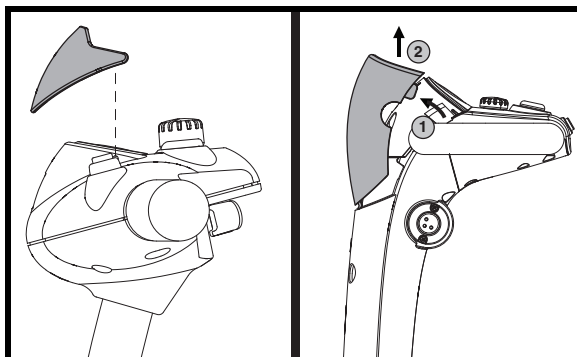
LET OP: Bij het installeren van het paneel van het voor spatbord, dient u er voor te zorgen dat de lus aan de onderkant van het paneel goed in de opening is geplaatst, voordat u het paneel vast drukt. **Zie figuur 11.**

IDENTIFICATIELIJST

1. Paneel achterspatbord
2. Paneel voorspatbord



Figuur 11. Paneelen



Figuur 12. Stuur console vizier

III. ACCU'S EN HET LADEN

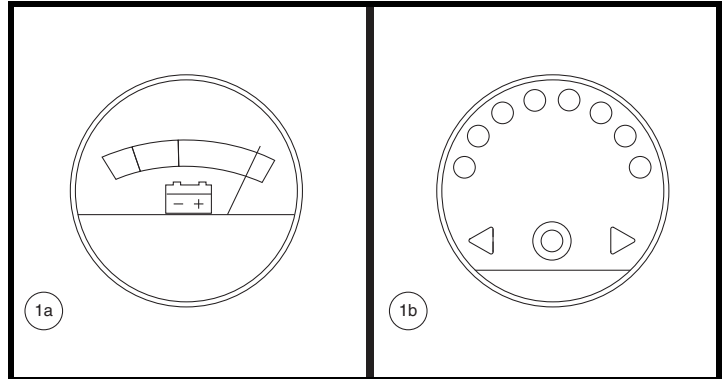
ACCU'S EN HET LADEN

Uw scootmobiel heeft twee langdurende, 12-volt, deep-cycle batterijen nodig die afgesloten zijn en onderhoudsvrij. Ze worden opgeladen door de verstrekte extern laadsysteem.

- Laad de accu's van uw Travelscooter minstens 8 tot 14 uur op, vóór het eerste gebruik.
- Laad de accu's op voordat u uw scootmobiel voor de eerste keer gaat gebruiken.

HET LEZEN VAN UW ACCUVOLTAGE

De accu conditie meter op het bedieningspaneel geeft in kleurcodes een indicatie van de hoeveelheid energie in uw accu's. Van rechts naar links, groen; volledig geladen accu's, geel; afnemende lading, en rood; opladen dient onmiddellijk te gebeuren. **Zie figuur 13.** Om uw lading te controleren dient u eerst het laadsnoer uit het stopcontact te halen en uw scootmobiel aan te zetten.



Figuur 13. Accu Conditie Meter

ACCU'S OPLADEN

LET OP: De accu pack kan be opgeladen op of verwijderd de scootmobiel. Zie functietabel van Travel Scooter.



VERBODEN! Verwijdering van de aarding kan een elektrisch gevaar scheppen. Indien nodig, monteer adequaat een toegestane adaptor met drie contactpunten op een elektrisch contact met twee contactpunten.



VERBODEN! Gebruik nooit een verlengsnoer om uw batterijlader aan te sluiten. Sluit de batterijlader direct aan een standaard stopcontact in de muur.



VERBODEN! Sta niet toe dat kinderen zonder toezicht in de buurt van de scootmobiel spelen als de accu's worden geladen. We adviseren u aan, de accu's niet op te laden terwijl er iemand op de scootmobiel zit.



VERPLICHT! Lees de instructies van de acculader in deze gebruiksaanwijzing en in de gebruiksaanwijzing die bij de lader hoort voordat u de accu's gaat laden.



WAARSCHUWING! Explosieve gassen kunnen vrijkomen tijdens het laadproces van de accu's. Houd de scootmobiel en de acculader ver verwijderd van ontstekingsbronnen zoals vlammen of vonken en zorg voor voldoende ventilatie tijdens het laden van de accu's.

WAARSCHUWING! U moet de accu's van uw scootmobiel met behulp van de afzonderlijke meegeleverde acculader opladen. Gebruik geen acculader van het type dat voor automobielen gebruikt wordt.

WAARSCHUWING! Controleer de lader, de bedrading en de connectoren op schade vooraleer u de lader gebruikt en indien schade is toegebracht, contacteer uw Leverancier.



WAARSCHUWING! Probeer niet de accubehuizing te openen. Indien het er op lijkt dat de lader niet naar behoren werkt neemt u contact op met uw erkende Leverancier.

WAARSCHUWING! Indien de acculader is voorzien van koelopeningen dient u geen voorwerpen door deze openingen proberen te steken.

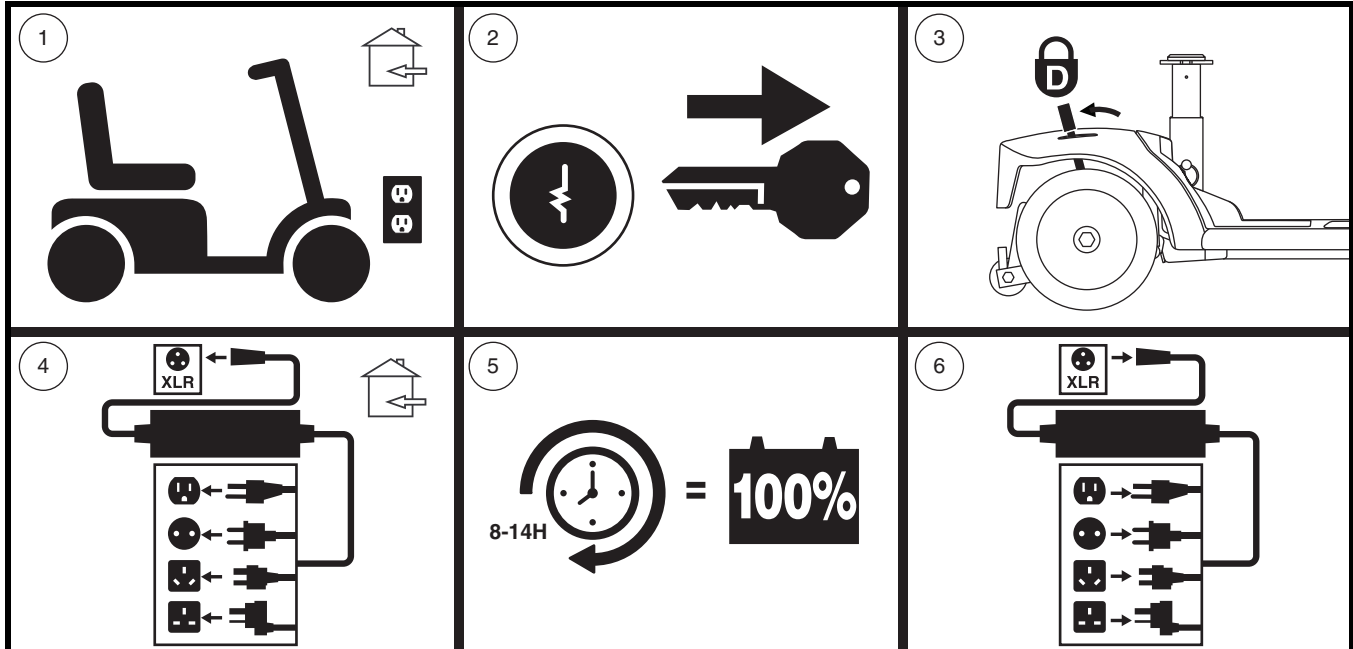
WAARSCHUWING! Wees u ervan bewust dat het omhulsel van de acculader kan verhitten tijdens het opladen. Vermijd contact met de huid en plaats het apparaat niet op oppervlakken die door hitte kunnen worden beïnvloed.

III. ACCU'S EN HET LADEN



WAARSCHUWING! Indien uw losse acculader niet is getest en goedgekeurd voor gebruik buitenshuis, dient u deze niet bloot te stellen aan ongunstige of extreme weersomstandigheden. Als de acculader is blootgesteld aan ongunstige of extreme weersomstandigheden, dient u deze de gelegenheid te geven zich aan de nieuwe omgevingsomstandigheden aan te passen voordat u hem weer binnenshuis gebruikt. Neem de gebruiksaanwijzing van de acculader in acht voor verdere informatie.

Volg de 6 eenvoudige stappen in figuur 14 om uw accu's veilig op te laden:



Figuur 14. Diagram voor laadprocedures voor accu's



WAARSCHUWING! De LED lichtjes op de lader geven verschillende stadia aan in het laadproces. Verwijder de oplader uit de contactdoos en neem contact op met uw Leverancier, indien de LED-verlichting niet binnen 24 uur aangeeft dat het opladen voltooid is. Kijk op de label op de lader voor een complete uitleg van de indicaties.

LET OP: Er zit een laad-blokkeringsfunctie op uw scootmobiel. Uw scootmobiel zal niet rijden en de accu conditiemeter zal niet werken terwijl de accu's worden opgeladen (als het accupak wordt geladen op de Travel Scooter).

VEEL GESTELDE VRAGEN

Hoe werkt de lader?

Wanneer uw scootmobiel's accu voltage laag is, werkt de lader harder, en zendt meer elektrische stroom naar de accu's om deze op niveau te brengen. Als het voltage een volle lading bereikt, zal de lader steeds minder en minder elektrische stroom naar de accu's sturen. Als de accu's volledig opgeladen zijn is de stroom die verstuurd wordt door de lader bijna nul ampère. Daarom, als de lader is aangesloten blijft er stroom op de accu's maar worden ze niet overladen. Voor oplaadinstructies: zie de handleiding die meegeleverd werd met de acculader.

Kan ik een andere lader gebruiken?

Laders zijn zorgvuldig geselecteerd voor een bepaald doel, en zijn speciaal geschikt bevonden voor het type, formaat, en chemische samenstelling van de betreffende accu's. Voor de veiligste en meest efficiënte manier van laden van de accu's van uw scootmobiel wielen we u aan uitsluitend gebruik te maken van de lader die als een origineel onderdeel bij uw product werd geleverd. Iedere mogelijke methode waarbij de accu's afzonderlijk worden geladen is ten strengste verboden.

III. ACCU'S EN HET LADEN

Wat te doen als de accu's niet worden opgeladen?

- Verzeker u ervan dat de zekering op de helmstok in goede orde werkt. **Zie figuren 6 of 7.**
- Verzeker uzelf ervan dat beide einden van de lader correct zijn aangesloten.

Hoe vaak moet ik de batterijen opladen?

Twee grote factoren moeten beschouwd worden wanneer u beslist hoe vaak u de batterijen moet opladen:

- Dagelijks gebruik van uw Scootmobiel.
- Sporadisch gebruik van uw Scootmobiel.

Met deze 2 factoren in gedachte kunt u vaststellen hoe vaak en hoe lang u uw batterijen moet opladen. Wij hebben de externe lader ontwikkeld zodat deze uw batterijen niet kan overladen. Echter, u kunt enige problemen tegenkomen als u uw batterijen niet vaak genoeg oplaadt en als u de batterijen niet regelmatig oplaadt. Hier volgen regels die u een veilige en betrouwbare batterij lading verzorgt.

- Als u uw Scootmobiel dagelijks gebruikt, laadt dan de batterijen op als u de Scootmobiel niet meer gebruikt aan het einde van de dag. Uw Scootmobiel zal elke morgen weer volledig opgeladen zijn voor uw dagelijks gebruik. Wij raden u aan dat u uw batterijen oplaadt voor op zijn minst 8 – 14 uur na elk dagelijks gebruik. Wij adviseert de accu 4 uur extra op te laden, nadat de batterijlader aangeeft dat het laden is voltooid.
- Als u uw Scootmobiel 1 keer per week of minder gebruikt, laadt dan de batterijen op voor op zijn minst 24 uur.

LET OP: Houdt uw batterijen volledig geladen een vermijd diepe ontlading van uw batterijen. Voor oplaadinstructies: zie de handleiding die meegeleverd werd met de acculader. Wij adviseert de accu eenmaal per maand minstens 48 uur achter elkaar op te laden voor betere prestaties en een langere levensduur van de accu.

Hoe kan ik voor een maximale levensduur van de accu's zorgen?

Volledig geladen, diepe cyclus accu's zorgen voor een betrouwbare capaciteit en gaan langer mee. Houd zoveel mogelijk de accu's volledig gevuld. Bescherm uw scootmobiel en accu's tegen extreme hitte of koude. Accu's die regelmatig diep ontladen worden, onregelmatig opgeladen worden, opgeslaan worden onder extreme temperaturen, of opgeslaan worden zonder een volledige lading kunnen permanent beschadigd worden en daardoor een onbetrouwbare prestatie leveren en een beperkte levensduur hebben.

LET OP: Zet de Travel Scooter altijd uit en verwijder de sleutel wanneer u de scootmobiel niet gebruikt, ter verlenging van de levensduur van de batterij.

Hoe kan ik de maximale afstand per lading bereiken?

Zelden zult u ideale rij-omstandigheden hebben, gladde, strakke of harde rij-oppervlakten, geen tegenwind of bochten. Vaak zult u hellingen, stoepen, bochten, wind, oneffen en losse ondergrond tegenkomen. Al deze rij-omstandigheden hebben invloed op de afstand of rijtijd per batterijlading. Nu volgen enkele suggesties om de maximale afstand per batterijlading te kunnen bereiken.

- Laad altijd de batterijen de dag voor gebruik.
- Plan uw route om zoveel mogelijk hellingen, hobbelige of zachte ondergronden te voorkomen.
- Beperk uw bagagegewicht tot de noodzakelijke dingen.
- Probeer zoveel mogelijk een gelijke snelheid te houden als u op uw scootmobiel rijdt.
- Vermijd veel start- en stopsituaties, rij regelmatig.
- Wij adviseert de accu eenmaal per maand minstens 48 uur achter elkaar op te laden voor betere prestaties en een langere levensduur van de accu.
- Zorg dat alle verbindingen met het tuig goed zijn vastgemaakt.

III. ACCU'S EN HET LADEN

Wat voor type en maat accu's moet ik gebruiken?

Wij raden aan om diep cycle accu's te gebruiken dat gesloten zijn en zonder onderhoud. Allebei AGM en Gel-Cell zijn diepe cycle accu's die gelijkmatig zijn in prestatie. Gebruik geen natte cell accu's, welke verwijderbare kappen hebben.



WAARSCHUWING! Accu's bevatten corrosieve chemicaliën. Gebruik alleen AGM of Gel-Cell accu's om lekkage en explosieve condities te verminderen.

LET OP: Gesloten batterijen zijn niet duurzaam. Verwijder de kappen niet.

Waarom lijken mijn nieuwe accu's zwak?

Diep-cycle accu's gebruiken een verschillende chemische technologie dan die gebruikt wordt in auto batterijen, nikkelcadmium batterijen en andere, veel voorkomende batterijen. Diep-cycle accu's zijn specifiek ontwikkeld om kracht te leveren, te ontladen, en dan weer relatief snel op te laden.

Wij werken nauw samen met batterij fabrikanten om accu's te gebruiken die het beste de volgens specifieke behoeften uw scootmobiel ten goede komen. Verse accu's komen dagelijks aan en worden volledig opgeladen naar onze klanten opgestuurd. Gedurende de verzending kunnen de accu's extreme temperaturen ondergaan die hun initiale prestatie kunnen beïnvloeden. Hitte en kou vermindert de laadkracht van een batterij, kou vertraagt de laadkracht beschikbaar en rekt de tijd uit die nodig is om de batterij opnieuw op te laden.

Het kan een paar dagen duren voor de temperatuur van uw scootmobiel's accu's zich aanpassen aan hun nieuwe kamer of omgeving temperatuur. Belangrijker nog is dat het een paar opladings cyclussen duurt vooraleer de kritische chemische balans is bereikt die diep cyclus batterij topprestaties laat leveren en een lang leven laat leiden.

Volg de volgende stappen om ervoor te zorgen dat u uw nieuwe accu een goede start bezorgt.

1. Laad uw accu volledig op voordat u ze de eerste keer gebruikt. Deze lading brengt de accu tot 88% van de top prestatie.
2. Gebruik uw scootmobiel in veilige en vertrouwde gebieden zodat u gewend raakt aan de hendeling van uw nieuwe scootmobiel en belast de accu niet te zwaar de eerste keer. Neem geen "heuvels" en rij geen al te lange afstanden.
3. Laad uw accu volledig op. Deze lading brengt de accu tot over 90% van de top prestatie.
4. Gebruik uw scootmobiel, dan laad uw accu wederom volledig.
5. Na vier of vijf ladingen brengt dit de accu tot 100% van de top prestatie en zullen ze per lading een langere tijd meegaan.

Hoe te hendelen bij openbaar vervoer?

Als u met uw scootmobiel gebruik wenst te maken van het openbaar vervoer, dient u vooraf contact op te nemen met de vervoerder om u zelf op de hoogte te stellen van hun specifieke voorwaarden.

III. ACCU'S EN HET LADEN

Hoe vervang ik een accu in mijn scootmobiel?



VERPLICHT! De accupolen, aansluitklemmen en aanverwante accessoires bevatten lood en loodverbindingen. Draag bij het hanteren van accu's een veiligheidsbril en geschikte handschoenen, en was uw handen na gebruik.



WAARSCHUWING! Gebruik altijd twee accu's van exact hetzelfde type, met identieke chemische samenstelling en capaciteit (Ah). Raadpleeg de specificatietabel die in deze handleiding en in de bij de acculader geleverde handleiding opgenomen is, voor aanbevolen type en capaciteit.

WAARSCHUWING! Meng geen oude en nieuwe batterijen. Vervang altijd beide batterijen tegelijkertijd.

WAARSCHUWING! Neem contact met uw Leverancier op indien u vragen heeft met betrekking tot de accu's in uw scootmobiel.



WAARSCHUWING! Vervang de accu's niet als er iemand in de scootmobiel zit.

WAARSCHUWING! De accu's in uw scootmobiel mogen alleen door een goedgekeurde Leverancier of een bevoegde monteur onderhouden of vervangen worden.



VERBODEN! Hou gereedschap en andere metalen voorwerpen weg van de batterijpolen. Contact met gereedschap kan elektrische schokken veroorzaken.

Voor het vervangen van de accu's heeft u het volgende nodig:

- Standaard/metrische doppenset
- Verstelbare moersleutel



WAARSCHUWING! Probeer niet meer op te heffen dan u fysiek aankan. Vraag altijd om hulp wanneer dat noodzakelijk is tijdens het samenstellen of uiteenhalen van uw scootmobiel.

WAARSCHUWING! Trek bij het ontkoppelen niet aan de draden van de elektrische klemmen van de scootmobiel. Neem altijd de aansluiting zelf vast bij het ontkoppelen van de klem, om beschadiging van de bedrading te voorkomen.

Om accu's te vervangen in accupakstijl A (zie figuur 6):

1. Verwijder het accu pack van uw scootmobiel.
2. Keer het accu pack voorzichtig op de kop.
3. Verwijder de schroeven van de perimeter van het accu pack.
4. Zet het accu pack weer voorzichtig recht op en verwijder het deksel.
5. Ontkoppel de zwarte (-) en rode (+) accu kabels van de accu terminal.
6. Verwijder de oude accu.
7. Plaats een nieuwe accu in het accuhouder.
8. Verbind de rode accu kabel met de positieve (+) accu terminal.
9. Verbind de zwarte accu kabel met de negatieve (-) accu terminal.
10. Plaats de deksel terug op het accupak en zorg ervoor dat alle snoeren zich in het pak bevinden, zodat u zich niet bezeert.
11. Keer het accu pack voorzichtig op de kop.
12. Plaats de schroeven terug en draai ze vast.

III. ACCU'S EN HET LADEN

LET OP: Sommige accu's vereisen de verwijdering van een moer en bout bij het ontkoppelen van de accukabel uit de accuterminal. Zie figuur 15.

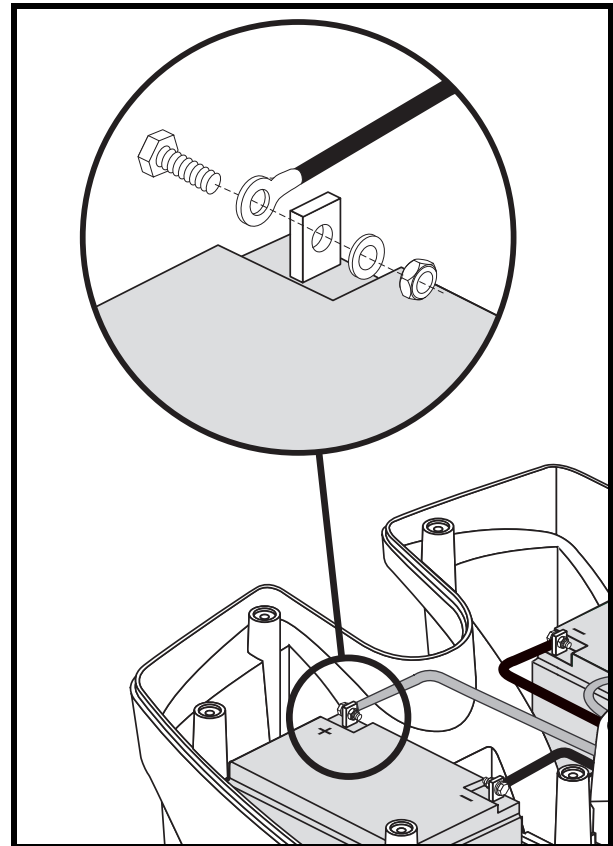
Om accu's te vervangen in accupakstijl B (zie figuur 6):

1. Ontkoppel het accutuig en verwijder het accupak uit de Travel Scooter. Zie figuur 16.
2. Rits het accupak open om de accu's bloot te leggen.
3. Ontkoppel de zwarte (-) en rode (+) accukabels uit de accuterminal van iedere accu.
4. Verwijder de oude accu's.
5. Plaats de nieuwe accu's in het accupak.
6. Koppel de rode accukabel aan de positieve (+) accuterminal van iedere accu.
7. Koppel de zwarte accukabel aan de negatieve (-) accuterminal van iedere accu.
8. Rits het accupak weer helemaal dicht.
9. Plaats het accupak terug en verbind het accutuig.

Om accu's te vervangen in accupakstijl C (zie figuur 6):

1. Verwijder de zetel en achterste beschermkap.
2. De accuklemmen en het riempje losmaken en het accupack verwijderen uit de scootmobiel. Zie figuur 16.
3. Maak het accupack open voor toegang tot de batterijen.
4. Ontkoppel de zwarte (-) en rode (+) accu kabels van de accu terminal.
5. Verwijder de oude accu.
6. Plaats een nieuwe accu in het accuhouder.
7. Verbind de rode accu kabel met de positieve (+) accu terminal.
8. Verbind de zwarte accu kabel met de negatieve (-) accu terminal.
9. Rits het accupack volledig toe.
10. Herinstalleer het accupack en verbindt dan de accuklemmen en bevestig het riempje om de accu vast te maken.
11. Plaats de zitting en de achterkap.

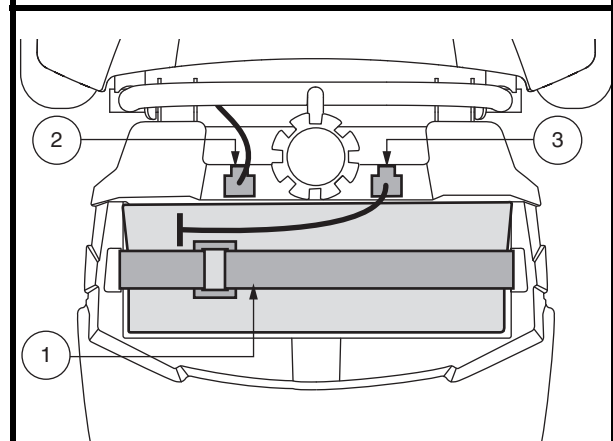
LET OP: Als u een beschadigde accu aantreft, zorg er dan voor dat u die meteen in een plastic tas verpakt en contact opneemt met uw bevoegde Leverancier voor verwijderingsinstructies. Uw bevoegde Leverancier heeft ook de nodige informatie over het recyclen van accu's, wat natuurlijk onze voorkeur is.



Figuur 15. Loskoppelen van de accukabel op een 17-22 Ah accubak

IDENTIFICATIELIJST

1. Riem om de accu mee vast te maken
2. Tuig van voren naar achteren
3. Accu behuizing



Figuur 16. Riem om de accu mee vast te maken

IV. GEBRUIK

VOORDAT U OP UW SCOOTMOBIEL STAPT

- Heeft u uw accu's volledig opgeladen? Zie III. "Accu's en het Laden."
- Is de handmatige vrijloophendel in de rijpositie (naar achteren)? Laat de handmatige vrijloophendel nooit in de vrijloop positie (naar voren) staan tenzij u de scootmobiel handmatig aan het voortbewegen bent.
- Is de stuurkolom ontgrendeld? Zie VI. "Demontage en montage."

HET OPSTAPPEN OP UW SCOOTMOBIEL

1. Overtuig u ervan dat de sleutel uit de schakelaar is gehaald.



WAARSCHUWING! Probeer nooit in of uit uw scootmobiel te stappen zonder dat u eerst de sleutel uit de schakelaar hebt gehaald. Dit voorkomt dat de scootmobiel in beweging komt wanneer per ongeluk de gashendel wordt aangeraakt.

2. Ga naast uw scootmobiel staan.
3. Ontsluit de stoel slot hendel en draai de stoel totdat deze naar u toe gedraaid is.
4. Laat de hendel los en zorg dat de stoel weer vast in positie wordt vergrendeld.
5. Ga prettig en stevig in de stoel zitten.
6. Ontsluit de stoel slot hendel en draai de stoel totdat u vooruit kijkt.
7. Laat de hendel los en zorg dat de stoel weer vast in positie wordt vergrendeld.
8. Zet uw voeten veilig op de bodem van de scootmobiel.

VOORZORG EN CONTROLE

- Staat de stoel op de juiste hoogte afgesteld? Zie V. "Instelbaarheid."
- Is de stoel goed vastgezet?
- Is de verstelbare stuurkolom op een comfortabele stand gezet en goed vastgezet? Zie V. "Instelbaarheid."
- Is de sleutel volledig in de schakelaar gestoken en met de klok mee in de "aan" positie gezet?
- Werkt de claxon goed?
- Is uw voorgestelde route vrij van mensen, dieren en hindernissen?
- Heeft u uw route zo gepland dat u zoveel mogelijk slecht terrein en hellingen vermijdt?

BEDIENING VAN UW SCOOTMOBIEL



WAARSCHUWING! De volgende punten kunnen sturen en stabiliteit anders beïnvloeden terwijl u uw scootmobiel rijdt:

- Vast houden aan of vast maken van een riem om uw huisdier te lopen.
- Dragen van passagiers (inclusief huisdieren).
- Enige artikelen van de helmstok hangen.
- Trekken of worden geduwd door een ander gemotoriseerd voertuig.

WAARSCHUWING! Houd allebei de handen aan het stuur en uw voeten te allen tijde op de vloerplaat terwijl u de scootmobiel beweegt. Deze rij positie geeft u de meeste controle over het voertuig.

- Stel de snelheidsschakelaar in op de gewenste stand.
- Leg uw handen op de handgrepen, en druk uw duim tegen de gewenste gashendel.
- De elektromagnetische rem wordt automatisch ontkoppeld en de scootmobiel accelereert soepel naar de snelheid die u van te voren hebt ingesteld.
- Trek aan de linker handgreep om linksaf te gaan.
- Trek aan de rechter handgreep om rechtsaf te gaan.
- Beweeg het stuur naar de middenpositie om rechtdoor te gaan.
- Laat de gashendel langzaam los om volledig tot stilstand te komen. De elektromechanische rem zal automatisch in werking treden als uw scootmobiel tot stilstand komt.

IV. GEBRUIK

LET OP: Uw scootmobiel's achteruitrij snelheid is langerzamer dan dat van de vooruit snelheid die u van te voren instelt met uw kiesschijf.

HET AFSTAPPEN VAN UW SCOOTMOBIEL

1. Breng uw scootmobiel volledig tot stilstand.
2. Verwijder de sleutel uit de schakelaar.



WAARSCHUWING! Probeer nooit in of uit uw scootmobiel te stappen zonder dat u eerst de sleutel uit de schakelaar hebt gehaald. Dit voorkomt dat de scootmobiel in beweging komt wanneer per ongeluk de gashendel wordt aangeraakt.

3. Maak de zitting slot schakelaar los en draai de zitting tot u naar de zijkant van uw scootmobiel kijkt.
4. Verzeker u ervan dat de stoel goed in positie is vergrendeld.
5. Sta voorzichtig op uit de scootmobiel en ga naast de scootmobiel staan.
6. U kunt de zitting naar de zijkant laten staan om het makkelijker te maken de volgende keer om op uw scootmobiel te komen.

ENERGIE VERBRUIK AFNEMING TIMER ONDERDEEL

Uw scootmobiel heeft een energie besparend automatisch afnemend onderdeel bestemd om uw scootmobiel's accu leven te besparen. Als u per ongeluk de sleutel in het sleutelgat laat zitten in de "aan" positie maar uw scootmobiel niet gebruikt voor ongeveer 20 minuten, slaat de scootmobiel's controller automatisch af. Alhoewel de controller af is gesloten, en de scootmobiel niet kan bewegen, zal de kracht nog steeds worden geleverd aan het scootmobiel's verlichting systeem.

Als het energie verbruik afnemend onderdeel in werking gaat, neem de volgende stappen om normale functie weer opnieuw te hervatten.

1. Verwijder de sleutel van het sleutelgat.
2. Steek de sleutel weer in en voer het energie verbruik van uw scootmobiel op.

V. INSTELBAARHEID

VERSTELBARE STUURKOLOM (Zie figuur 17.)



WAARSCHUWING! Neem de sleutel uit de schakelaar voordat u de stuurkolom gaat aanpassen. Probeer nooit uw stuur aan te passen terwijl uw scootmobiel in beweging is.

LET OP: Om de stuurkolom volledig te laten zakken voor demontage of transport, moet u eerst de stoel verwijderen. Verwijder de zetel door die simpel op te heffen en te verwijderen van de scootmobiel.

DRAAIEN VAN DE ZITTING

Met behulp van de hendel voor het draaien van de zitting, deze bevindt zich aan de rechterkant van de zitting, kunt u de zitting naar verschillende posities verplaatsen. Zie figuur 18.

1. Trek de hendel op om de zitting te ontgrendelen.
2. Draai de zitting naar de gewenste positie.
3. Laat de hendel los om de zitting op zijn plaats te vergrendelen.

AFSTELLEN VAN DE BREEDTE VAN DE ARMLEUNING

De armleuning kan naar binnen of naar buiten toe worden veresteld.

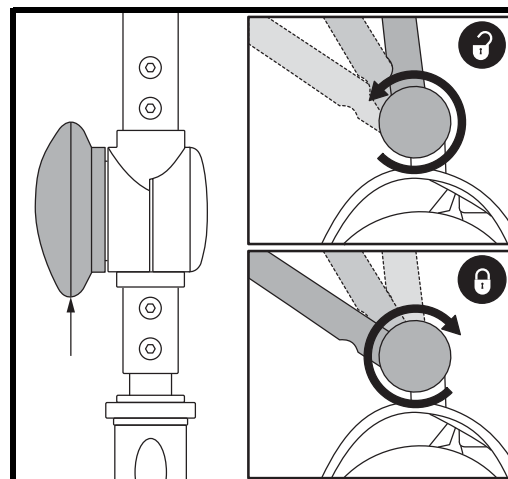
1. Maak de vergrendelknoppen van de armleuningen los. Zie figuur 18.
2. Verwijder de pinnen.
3. Verplaats de armleuning naar de gewenste positie.
4. Lijn de verstelgaatjes op het zittingframe en de armleuningen uit, plaats dan de pin terug.
5. Draai de vergrendelknoppen vast.

LET OP: De armleuningen kunnen ook naar boven draaien om in en uit de scootmobiel stappen makkelijker te maken.

ZITHOOGTE INSTELLING

Om de stoel op één van de drie hoogtes te zetten. Zie figuur 19.

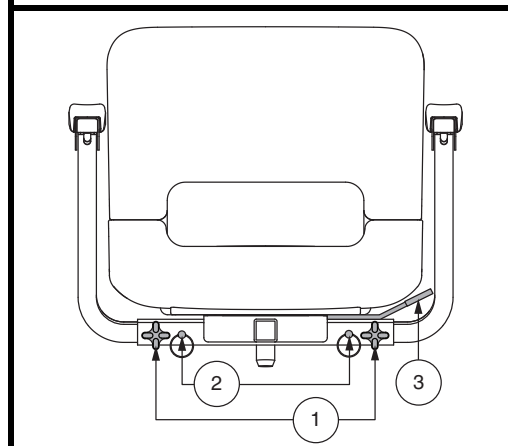
1. Verwijder de stoel van en accu pack uw scootmobiel.
2. Gebruik de bijgevoegde ring om het palletje uit de laagste stoelpositie te trekken en te verwijderen.
3. Stel de bovenste stoelpositie naar boven of beneden in om de gewenste zithoogte te bereiken.
4. Terwijl u de hoogste stoelpositie op deze hoogte houdt, zorgt u ervoor dat de instellingsgaten met de hoogste en laagste stoelpositie overeenkomen.
5. Steek het palletje er helemaal in.
6. Zet de stoel en accu pack terug.



Figuur 17. Stuurinstelling

IDENTIFICATIELIJST

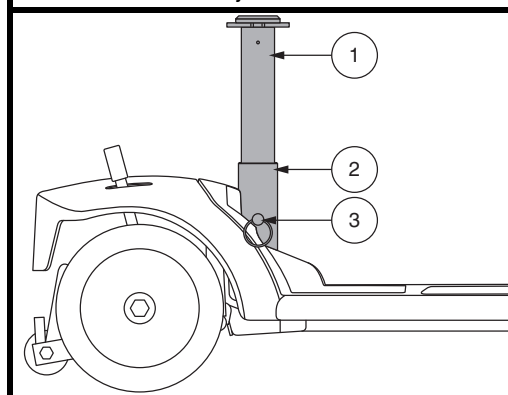
1. Armleuning verstelknop
2. Palletje
3. Zitting hendel



Figuur 18. Verstelling van de zitting

IDENTIFICATIELIJST

1. Stoelhouder
2. Stoelkolom
3. Palletje



Figuur 19. Zithoogte aanpassing

V. INSTELBAARHEID

AANPASSING VAN DE ZETELOPHANGING (INDIEN HIERMEE UITGERUST)

De zetelophanging werkt als schokdemper en kan worden aangepast aan verschillende niveaus van rijcomfort. Gebruik de stelschroeven, zichtbaar in het instelvenstertje op de zijkant van de ophanging als richtsnoer bij het maken van aanpassingen. Verschuif de rubberen bescherming naar de bovenkant van de ophanging om de stelschroeven zichtbaar te maken. **Zie figuur 20.**

Om de zetelophanging aan te passen:

1. Verwijder de stoel van uw scootmobiel.
2. Verwijder de bovenkant van de zetelophanging van de scootmobiel door het palletje te verwijderen uit het onderste deel van de zetelophanging. Hef dan de zetelophanging recht omhoog en verwijder ze van de scootmobiel. **Zie figuur 19.**
3. Steek een dopsleutel van 13 mm met verlengstuk in het onderste deel van de zetelophanging. **Zie figuur 20.**
4. Draai rechtsom voor een zachtere rit of linksom voor een hardere rit.
5. Plaats zetelophanging en zetel terug.

VEILIGHEIDSGORDEL (OPTIONEEL)

Uw Scootmobiel kan uitgerust worden met een verstelbare veiligheidsgordel. **Zie figuur 21.** De veiligheidsgordel is ontwikkeld om ervoor te zorgen dat de berijder(ster) niet zijwaarts of voorwaarts kan glijden. De veiligheidsgordel is niet ontwikkeld als een middel om een persoon vast te zetten in de stoel.



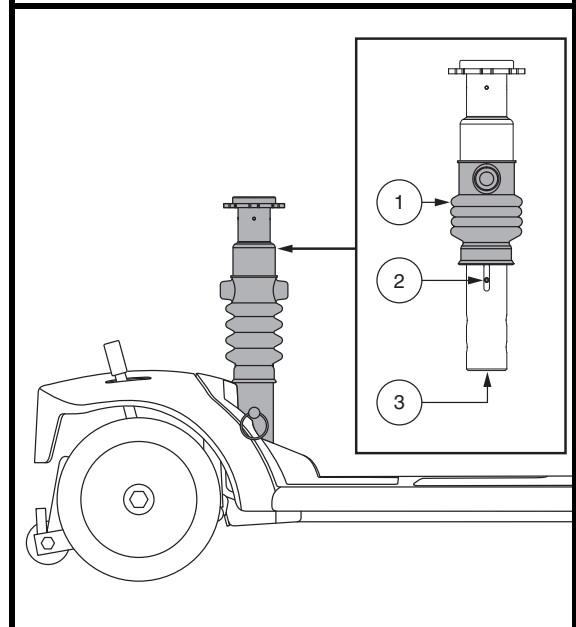
WAARSCHUWING! De positioneringsriem dient te allen tijde te worden vastgemaakt. Laat de positioneringsriem nooit los hangen of over de vloer slepen waardoor de riem verstrikt zou kunnen raken.

Het installeren van de veiligheidsriem (indien vereist):

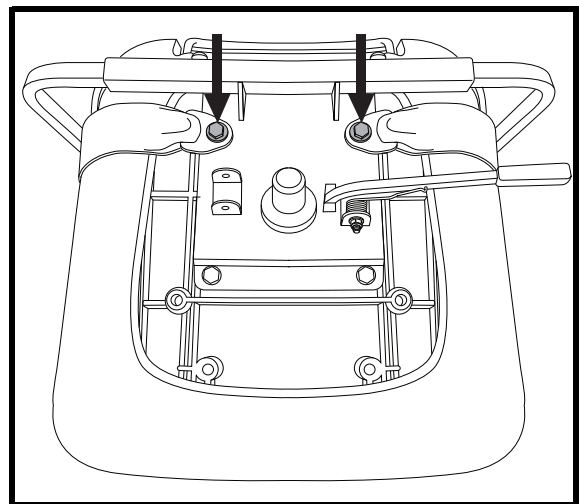
1. Verwijder de stoel van uw Scootmobiel.
2. Plaats de stoel ondersteboven zodat u de onderzijde van uw stoel kunt zien. **Zie figuur 21.**
3. Verwijder de bouten aan de buitenzijde van de zittingbevestigingsplaat aan de achterzijde van de stoel.
4. Voer de bouten door het daarvoor bestemde gat in de uiteinden van de veiligheidsriem en plaats de bouten vervolgens weer terug in hun gaten in de zittingbevestigingsplaat.
5. Draai de bouten goed aan.

IDENTIFICATIELIJST

1. Rubberen bescherming
2. Stelschroef
3. Invoerpunt dopsleutel



Figuur 20. Aanpassing van de zetelophanging



Figuur 21. Veiligheidsgordel bouten

V. INSTELBAARHEID

Veiligheidsriem met metalen gesp

Het aanpassen van de veiligheidsriem:

1. Stop het metalen uiteinde van de ene zijde van de veiligheidsriem in de plastic behuizing van de andere zijde van de veiligheidsriem totdat u een "klik" hoort. **Zie figuur 22.**
2. Trek het losse uiteinde van de veiligheidsriem aan totdat u stevig zit, maar niet zo vast dat het oncomfortabel wordt.

De plaatsingsgordel losmaken:

1. Duw het knopmechanisme op de kunststof behuizing in.

Veiligheidsriem met klittenband (lussen en haken)

Het aanpassen van de veiligheidsriem:

1. Leg de twee kanten van de riem op elkaar met de kant met de lussen recht boven de ruwe kant ("haak") van de andere band. Stevig op elkaar drukken om te bevestigen. **Zie figuur 23.**

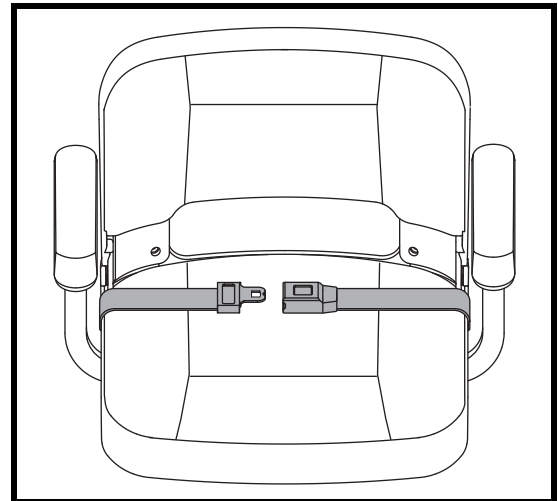
De plaatsingsgordel losmaken:

1. Pak de kant van de riem met de lussen vast en trek deze omhoog om hem los te maken van de andere kant van de riem.

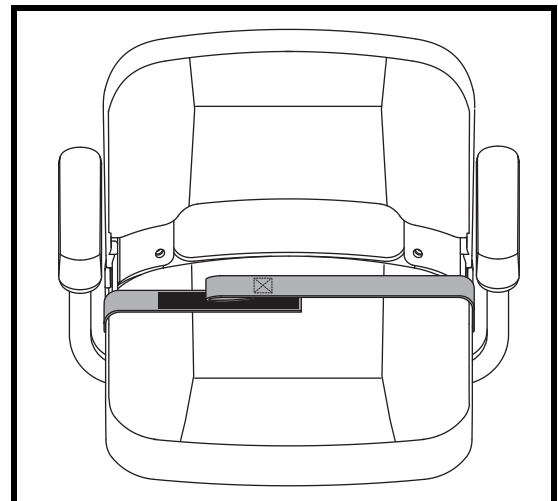
VERPLICHT! Zorg er voor ieder gebruik voor dat de veiligheids gordel correct is bevestigd aan de elektrische Scootmobielen dat hij comfortabel is afgesteld voor de gebruiker.



VERPLICHT! Inspecteer de veiligheidsriem op losse onderdelen of beschadiging, inclusief scheuren, versleten plekken, verbogen onderdelen, beschadigde gespmechanismen, vuil of restanten, voorafgaand aan ieder gebruik van de scootmobiel. Als u een probleem ontdekt, neem dan contact op met uw bevoegde leverancier voor onderhoud en reparatie.



Figuur 22. Veiligheidsriem met metalen gesp



Figuur 23. Veiligheidsriem met klittenband (lussen en haken)

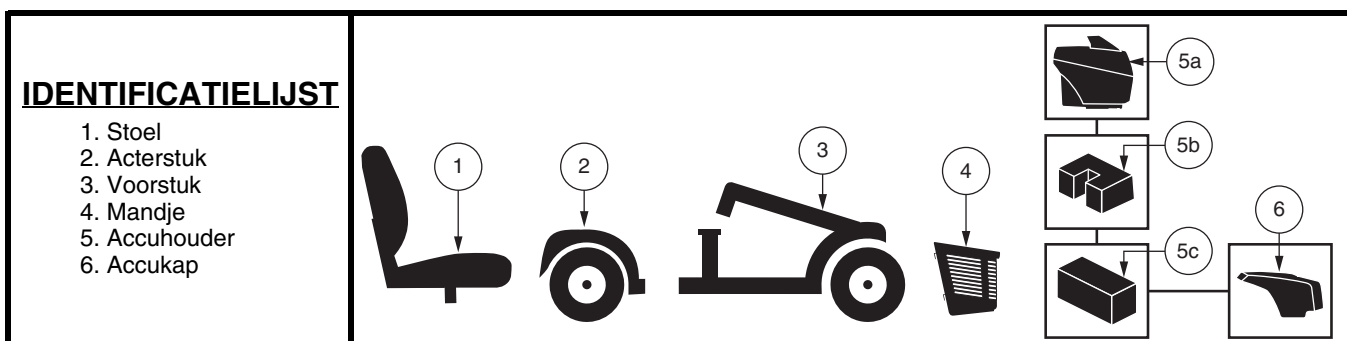
VI. DEMONTAGE EN MONTAGE

DEMONTAGE

U kunt de Travel Scooter demonteren in een aantal onderdelen: de zitting, het achterstuk, het voorstuk, het mandje, de accu's, en het accukap (uitsluiten modellen 83 en 84). **Zie figuur 24.** U heeft geen gereedschap nodig om de scootmobiel te monteren of demonteren, maar denk er aan dat de gedemonteerde onderdelen van de scootmobiel meer ruimte in beslag nemen dan de gemonteerde eenheid. Demonteer of monteer uw scootmobiel altijd op een egale, droge ondergrond met voldoende ruimte om te werken en minstens 1,5 meter (5 feet) rond de scootmobiel om te bewegen. Denk er aan dat sommige onderdelen erg zwaar zijn en dat het kan zijn dat u hulp nodig heeft om ze te tillen.



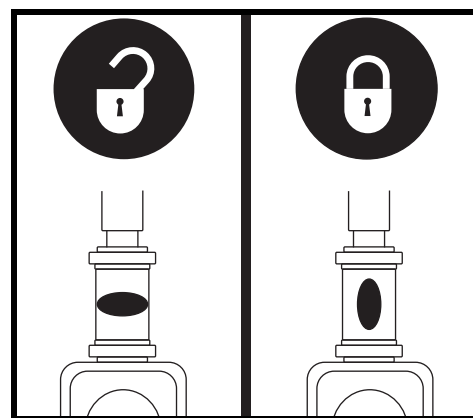
WAARSCHUWING! Hef geen dingen op die u fysiek niet aankan. Vraagt u, indien noodzakelijk, om hulp bij demontage van uw scootmobiel.



Figuur 24. Gedemonteerde scootmobiel

Demontageprocedures - Modellen 36, 83, en 84

1. Verwijder de sleutel uit de sleutelschakelaar.
2. Vergrendel het stuur in de recht vooruit positie door de stuur vergrendelknop in te drukken en 90° met de klok mee te draaien. **Zie figuur 25.** Het voorwiel dient recht vooruit te wijzen om het stuur te vergrendelen.
3. Verwijder de zitting door deze recht omhoog van de scootmobiel te tillen. Indien u weerstand voelt bij het verwijderen van de zitting, ontgrendelt u de vergrendeling van de zitting en kantelt u de zitting voor en achter over terwijl u deze op tilt.
4. Verwijder de achterkap door ze recht op te heffen en van de scootmobiel weg te bewegen. (uitsluiten modellen 83 en 84).
5. De accuklemmen loskoppelen. **Zie figuur 16.**
6. De klem loskoppelen die de voorkant met de achterkant verbindt. **Zie figuur 16.**
7. De riem losmaken die de accu vasthoudt. (uitsluiten modellen 83 en 84). **Zie figuur 16.**
8. Verwijder het accuhouder van de scootmobiel door hem recht op te heffen en van de scootmobiel weg te bewegen.



Figuur 25. Stuurkolom

Demontageprocedures - Modellen 40X, 44X, 40E, 44E, 40LX, 44LX, 50LX, 54LX, 53, 53HD, 54, 54HD, 73, en 74

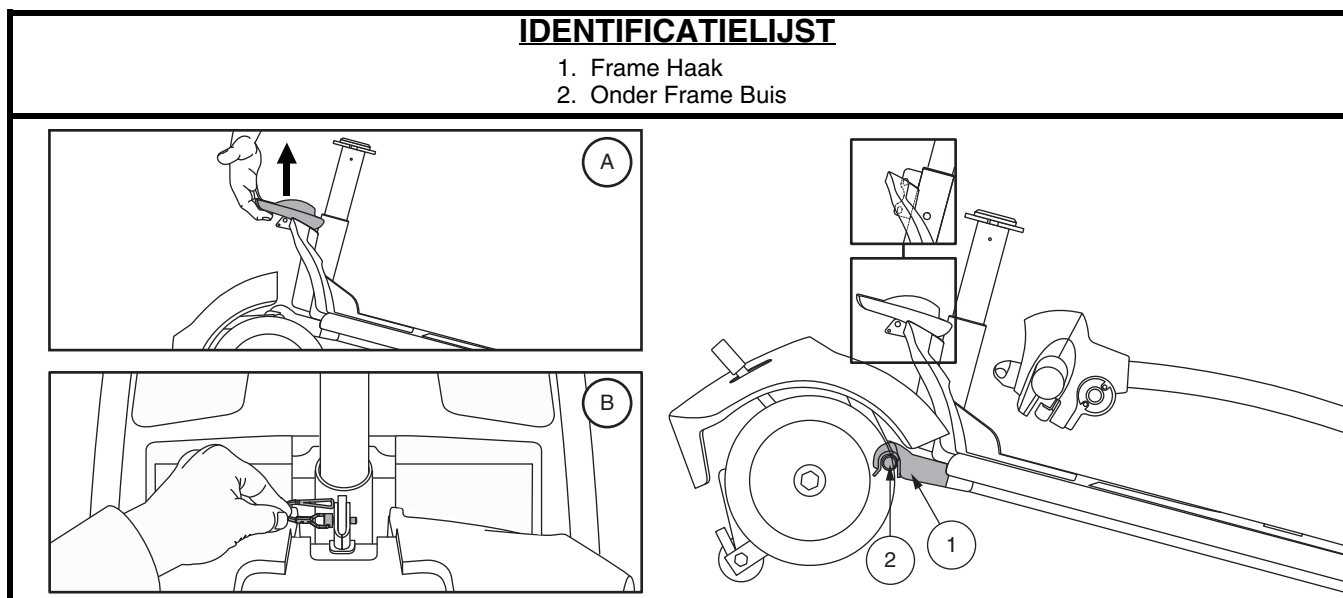
1. Verwijder de sleutel uit de sleutelschakelaar en vergrendel het stuur in de recht vooruit positie door de stuur vergrendelknop in te drukken en 90° met de klok mee te draaien. **Zie figuur 25.** Het voorwiel dient recht vooruit te wijzen om het stuur te vergrendelen.
2. Verwijder de zitting door deze recht omhoog van de scootmobiel te tillen. Indien u weerstand voelt bij het verwijderen van de zitting, ontgrendelt u de vergrendeling van de zitting en kantelt u de zitting voor en achter over terwijl u deze op tilt.
3. Verwijder het accuhouder door hem recht op te heffen en van de scootmobiel weg te bewegen.

VI. DEMONTAGE EN MONTAGE

LET OP: Controleer de functietabel van de Travel Scooter aan de pagina 62 om te bepalen of uw Travel Scooter een frame-ontgrendelhendel of een blokkeerpen heeft, voordat u probeert het frame te demonteren.

Hoe het frame uit elkaar te halen

1. Nadat de zitting en batterijpak zijn verwijderd (zie demontageprocedures op de vorige pagina), breng de stuurkolom naar beneden en schroef vast. **Zie figuur 17.**
2. Verwijder de blokkeerpen van het frame. (uitsluiten modellen 83 en 84)
3. Pak de frame-ontgrendelhendel vast en til hem omhoog, (**OF, til de voet van de zetel voor modellen 36, 83, en 84**) en draai het achterste gedeelte naar achteren tot de haken van het frame niet langer rusten op de buis van het onderste frame.
4. Scheid langzaam de twee delen. **Zie figuur 26.**



Figuur 26. Frame-ontgrendelhendel (Stijl A) en blokkeerpen frame (Stijl B)

MONTAGE

LET OP: Kantel voordat u met de montage begint het achterste deel van de scootmobiel iets achterover, op de wieltjes tegen het omvallen, zoals te zien is in figuur 26.

1. Gebruik de frame ontgrendelhendel (of til de voet van de zetel voor modellen 36, 83 en 84) om het voorstuk op te tillen wanneer u de framehaken van het voorstuk uitlijnt met de onderste framebuis van het achterstuk. **Zie figuur 26.**
2. Is de framehaken zich eenmaal boven de onderste framebuis bevinden, laat u het voorste gedeelte zakken en tegelijkertijd laat u het achterste gedeelte draaien. Hierdoor wordt de frameblokkering automatisch geactiveerd voor modellen 40X, 44X, 40E, 44E, 40LX, 44LX, 50LX, 54LX, 53, 53HD, 54, 54HD, 73 en 74. Voor modellen 36, 83 en 84 dient u ook de blokkeerpen voor het frame opnieuw te installeren om de montage van het hoofdgedeelte te voltooien. **Zie figuur 26.**
3. Trek het stuur omhoog en draai de verstelknop goed vast. **Zie figuur 17.**
4. Installeer het accuhouder. Voor de modellen 36, 83 en 84, zorg ervoor dat u de accu en het tuig van voren naar achteren opnieuw verbindt.
5. Installeer de zitting en draai deze totdat hij op zijn plaats vergrendelt.
6. Ontgrendel het voorwiel door de stuur vergrendelknop met 90° tegen de klok in te draaien. **Zie figuur 25.**



WAARSCHUWING! Na montage dient u zich er van te overtuigen dat de stuur vergrendelknop op de ontgrendel positie staat voordat u met de scootmobiel gaat rijden.

VII. HET OPLOSSEN VAN PROBLEMEN

Ieder elektromechanisch deel heeft van tijd tot tijd onderhoud nodig. Hoewel de meeste problemen die kunnen voorkomen meestal kunnen opgelost worden mits enig nadenken en gezond verstand. Veel van deze problemen ontstaan wanneer de batterijen niet goed zijn opgeladen of wanneer de batterijen niet goed meer zijn en geen lading meer kunnen vasthouden.

DIAGNOSTISCHE FOUT CODES

De diagnostische fout codes voor uw scootmobiel zijn bestemd om u te helpen om makkelijk en vlug de basis problemen op te lossen. Een diagnostische fout code zal biep indien een van de gevallen zich voordoet zoals ze hieronder beschreven staan. Afhankelijk van het model dat u bezit, zal uw Travel Scooter mededelingen doen door middel van een van de volgende methodes:

1. Een biepcodes begint met een reeks biepen die mekaar snel opvolgen, direct gevolgd door een reeks tragere biepen die de eigenlijke code weergeven. Deze code wordt slechts eenmaal gebiept. Om de code te herhalen, moet u de sleutel uit het contact halen en er dan opnieuw insteken, **OF**
2. Een biepcodes zal de situatie aangeven, pauzeren en dan de biepcodes herhalen. De biepcodes blijft u op deze manier waarschuwen, totdat de scootmobiel wordt afgezet.

LET OP: Uw scootmobiel zal niet lopen tenzij de flitscode is opgelost en de scootmobiel is afgezet en weer aangezet.

FOUT CODE	CONDITIE	OPLOSSING
■ (1)	De accu-voltage is laag.	Laad de accu's volledig totdat de laadmeter raangeeft dat de accu's vol zijn.
■■ (2)	De accu-voltage is laag.	Laad de accu's volledig totdat de laadmeter raangeeft dat de accu's vol zijn.
■■■ (3)	Foutmelding in cylinderspoel van derem. Mogelijk staat de vrijloophendelin de vrijloopstand.	Ontkoppel de lader en draai de sleutel uit en dan weer aan. Indien u van een helling afrijdt, verlaag dan de snelheid van de Travel Scooter tot de minimuminstelling.
■■■■ (4)	Stroom limiet time out.	Draai de Scootmobiel uit voor een paar minuten Draai de Scootmobiel dan weer aan.
■■■■■ (5)	De handmatige vrijloop hendel staat in de (vooruit) freewheel positie.	Verwijder de sleutel, zorg dat de gashendelin de middenpositie staat (niet ingedrukt), start uw Scootmobiel opnieuw.
■■■■■■ (6)	Gaspedaal control hendel niet in de midden positie gedurende het opstarten.	Zorg ervoor dat de accu's volledig zijn opgeladen. Indien de accu's volledig zijn opgeladen, dan breng de gaspedaal control hendel naar de midden positie, draai de Scootmobiel af, en dan aan.
■■■■■■■ (7)	Snelheid pot fout.	Bel uw Leverancier voor assistentie/hulp.
■■■■■■■■ (8)	Motor voltage fout.	Bel uw Leverancier voor assistentie/hulp.
■■■■■■■■■ (9)	Andere interne fout.	Bel uw Leverancier voor assistentie/hulp.

Wat als mijn Scootmobiel niet beweegt als ik op de gaspedaal hendel druk?

- Wanneer de handbediende vrijloop hendel naar voren wordt gedrukt, worden de remmen ontkoppeld en wordt alle kracht naar de motor afgesneden.
- Trek de handbediende vrijloop hendel terug, zet de scooter af, en zet hem dan weer aan om naar de normale werking van de scooter terug te keren.

VII. HET OPLOSSEN VAN PROBLEMEN

Wat te doen als al mijn scootmobiel systemen lijken te zijn uitgevallen?

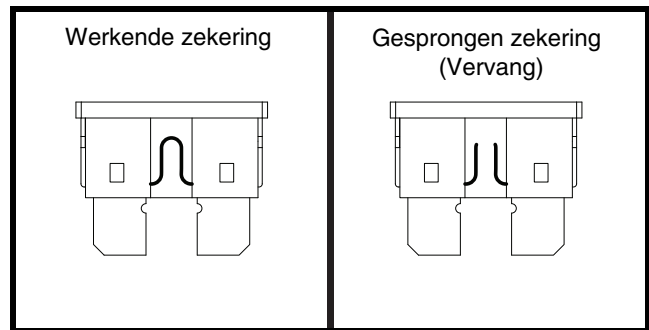
- Overtuig u ervan dat de sleutel helemaal in de sleutelschakelaar zit.
- Controleer of de accu's volledig zijn opgeladen.
- Druk op de resetknop voor de hoofdstroomonderbreking Zie II. "Uw Scootmobiel."
- Overtuig u ervan dat de accuhouder goed is bevestigd.
- Zorg ervoor dat de accu en het tuig van voor naar achter goed zijn verbonden. (Uitsluitend modellen 36, 83 en 84).
- Controleer of het energie besparend onderdeel niet is geactiveerd. Zie IV. "Gebruik."
- Controleer de zekering van de stuurconsole. U kan die vinden onder het accuhouder.

Om een zekering te controleren:

1. Verwijder de zekering door deze uit zijn slot te trekken.
2. Onderzoek de zekering om er zeker van te zijn dat hij is gesprongen. **Zie figuur 27.**
3. Plaats een nieuwe zekering van het juiste type.



WAARSCHUWING! De nieuwe zekering moet exact dezelfde sterkte hebben als de oude, anders kan het elektrisch systeem beschadigd worden.



Figuur 27. Vervangen van zekeringen

Wat te doen als het opladen van de accu's van mijn scootmobiel niet lukt?

- Controleer de zekering op het accuhouder of de bedieningspaneel. Vervang deze indien nodig.
- Als de LED's van de acculader tijdens het laadproces nooit een volledig opgeladen toestand aangeven, dient u de zekering op het accuhouder te controleren of de bedieningspaneel. Vervang deze indien nodig, of laat uw bevoegde leverancier of gecertificeerde technicus de zekering controleren en/of vervangen.
- Zorg ervoor dat beide uiteinden van de stroomkabel van de acculader volledig naar binnen gestoken zijn.
- Als de zekering van het accuhouder voortdurend doorbrandt, dient u voor onderhoud contact op te nemen met uw goedgekeurde Leverancier.

Wat te doen als de automatische zekering er steeds uit springt?

- Als de hoofdzekering er herhaaldelijk uitspringt, dient u contact op te nemen met uw erkende Leverancier voor service.
- Laad de accu's van de scootmobiel vaker op. Zie III. "Accu's en het laden."
- Als het probleem blijft bestaan, laat dan de beide accu's van uw scootmobiel testen door uw bevoegde Leverancier.
- U mag ook de laad test zelf doen. Accu laadttesters zijn verkrijgbaar bij de meeste winkels waar men auto-onderdelen verkoopt.
- Volg de directies gegeven met de accu laadttester.
- Zie III. "Accu's en het laden" of "Product Specificaties Blad" voor informatie over het accutype van uw scootmobiel.

Wat te doen als de accu-conditiemeter op de scootmobiel steeds wegzakt en de motor stottert of weigert als ik de gashendel indruk?

- Laad uw accu's volledig op. Zie III. "Accu's en het laden."
- Laat uw bevoegde Leverancier de lading van iedere accu testen.
- Zie de vorige vraag omtrent het zelf testen van uw accu's.

Als u problemen heeft met uw scootmobiel, die u niet kunt oplossen, neem dan direct contact op met uw bevoegde Leverancier voor informatie, onderhoud en service.

VIII. VERZORGING EN ONDERHOUD

Uw scootmobiel heeft een minimum aan verzorging en onderhoud nodig. Als u denkt niet te kunnen voldoen aan het onderhoud dat hieronder is aangegeven, kunt u dit overleggen met uw bevoegde Leverancier. De volgende gebieden hebben een periodieke inspectie nodig of verzorging en/of onderhoud.

BANDEN DRUK

Controleer uw banden regelmatig op slijtage of schade.

VERVANGEN VAN DE WIELEN

Uw scootmobiel voorzien is van een massieve band. Indien u een beschadigde of versleten band hebt, moet het volledige wiel worden vervangen. Neem contact op met uw erkende Leverancier voor meer informatie over de vervanging van de wielen van uw scootmobiel.



WAARSCHUWING! De wielen aan uw scootmobiel mogen alleen door een goedgekeurde Leverancier of een bevoegde monteur onderhouden of vervangen worden.

WAARSCHUWING! Wees er zeker van dat de sleutel uit het contact is en dat de scootmobiel niet in vrijloop staat vooraleer u deze procedure tracht uit te voeren.

Volg onderstaande instructies op voor het vervagen van zowel lucht als massieve banden:

1. Verwijder de steutel van de sleutel schakelaar en verzeker dat de scootmobiel niet in vrijloop staat.
2. Hef die kant van de scootmobiel op, waar u de band gaat vervangen. Plaats houten blokken onder het koetswerk om de scootmobiel op te heffen.
3. Verwijder de aandrijfwiemoer en -onderlegging van de as. **Zie figuur 28.**
4. Trek het wiel van de as.
5. Schuif het wiel weer over de as. Verzekert u ervan dat de assleutel in zijn slot zit.



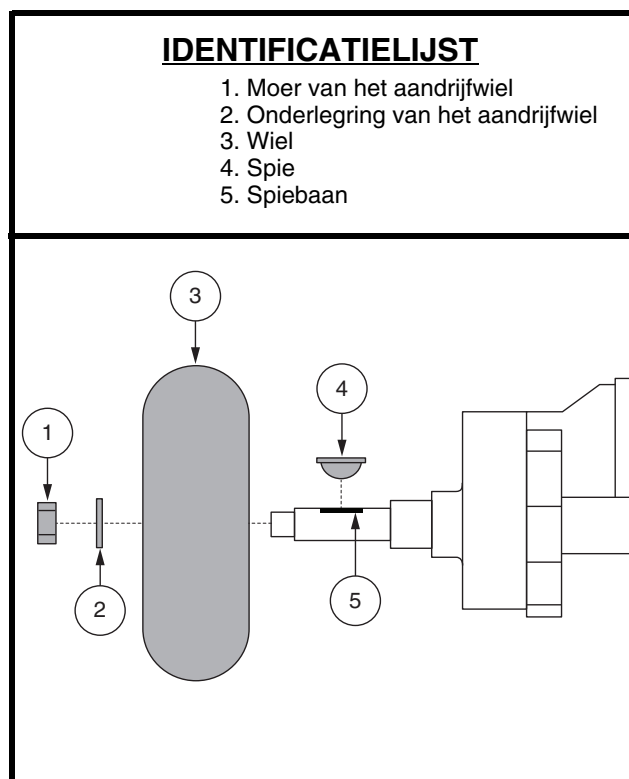
WAARSCHUWING! Zorg ervoor dat de assleutel goed in de asgleuf is geplaatst wanneer u het wiel installeert. Indien het niet stevig is geïnstalleerd, is het remsysteem niet ingeschakeld en dit kan ernstig persoonlijk letsel veroorzaken en/of tot productschade leiden.

6. Breng de moer en sluitring aan op de as en maak die goed vast.



WAARSCHUWING! Wees er zeker van dat de moer en de sluitring terug aangebracht worden en goed vastgemaakt worden.

7. Verwijder de blokken vanonder de scootmobiel.



Figuur 28. Vervangen van de wielen

VIII. VERZORGING EN ONDERHOUD

UITERLIJKE OPPERVlakKEN

Bumpers en andere oppervlakken kunnen ook onderhouden worden met rubber of vinyl conditioner.



WAARSCHUWING! Gebruik geen rubber of vinyl conditioner op een vinyl stoel of bandprofiel; deze kunnen hierdoor gevaarlijk glad worden.

SCHOONMAKEN EN DESINFECTEREN

- Gebruik een vochtige doek en een mild, niet schurend reinigingsmiddel om de plastic en metalen delen van uw scootmobiel schoon te maken. Vermijdt het gebruik van producten die krassen op het oppervlak van uw scootmobiel zouden kunnen veroorzaken.
- Indien noodzakelijk kunt u het product reinigen met een goedgekeurd desinfectiemiddel. Zorg er voor gebruik voor, dat het middel veilig is voor gebruik op uw scootmobiel.



WAARSCHUWING! Volg alle veiligheidsinstructies voor het correcte gebruik van het desinfectiemiddel en/of reinigingsmiddel vooraleer het op uw product te gebruiken. Indien u dat niet doet, riskeert uw huidirritatie of voortijdige schade aan bekleding en afwerking van de scootmobiel.

ACCU VERBINDINGEN

Controleer of alle verbindingen goed vastzitten en niet roesten.

HARNAS BEDRADING

- Controleer regelmatig alle verbindingen.
- Controleer regelmatig alle bedrading isolatie, ook die van de acculader, op slijtage en schade.
- Laat iedere beschadigde aansluiting, verbinding of isolatie repareren of vervangen door een bevoegde service monteur, voordat u uw scootmobiel gaat gebruiken.



VERBODEN! Alhoewel de scootmobiel aan de vereiste testvoorschriften betreffende het binnendringen van vloeistoffen voldoet, dient u elektrische aansluitingen uit de buurt van vocht te houden, met inbegrip van rechtstreekse blootstelling aan water of lichaamsvloeistoffen en incontinentie. Inspecteer de elektrische onderdelen regelmatig op tekenen van corrosie en vervang ze indien nodig.



WAARSCHUWING! Trek niet aan het elektrisch snoer zelf om dat van de scooter te verwijderen. Pak altijd de connector vast om het snoer los te maken, en dat natuurlijk om schade aan de draden te voorkomen.

ABS PLASTIEK DEKMANTEL

De kap van de stuurstand, de voorste kap en de achterkap zijn gemaakt met duurzaam plastic en zijn voorzien van een geavanceerde urethaan verf. Een lichte applicatie autowas zal de kappen helpen hun hoge glans te behouden.

DE ASLAGERS EN DE MOTOR/AS MONTAGE

U hoeft deze onderdelen niet te oliën, omdat deze alle zijn voorgeolied en afgesloten.

MOTORBORSTELS

De motorborstels zitten in de behuizing van de motoras. Ze moeten periodiek geïnspecteerd worden door uw bevoegde Vertegenwoordiger.

BEDIENINGSPANEEL, LADER EN ACHTER ELECTRONIE

- Hou deze gedeelten vrij van vocht.
- Laat deze gedeelten gronding drogen als ze blootgesteld zijn geweest aan vocht, voor u uw scootmobiel weer gebruikt.

VIII. VERZORGING EN ONDERHOUD

VERVANGING VAN EEN NYLON MOER

Iedere nylon moer die bij periodieke onderhoudswerkzaamheden, montage of demontage wordt verwijderd van de scootmobiel dient te worden vervangen door een nieuw exemplaar. Nylon moeren kunnen niet worden hergebruikt, omdat er schade kan ontstaan aan de nylon schroefdraad, waardoor er niet meer sprake is van een goede bevestiging. Nylon moeren zijn verkrijgbaar bij uw lokale ijzerwarenhandel of bij uw erkende Leverancier.

HET OPSLAAN VAN UW SCOOTMOBIEL

Als u van plan bent uw scootmobiel een bepaalde periode niet te gebruiken, is het raadzaam het volgende te doen:

- Laad de accu's volledig op voordat u ze gaat opslaan.
- Verwijder de accu pakken van de scootmobiel.
- Sla uw scootmobiel op in een warme droge omgeving.
- Vermijd de opslag van uw scootmobiel in ruimten waar deze wordt blootgesteld aan grote temperatuursverschillen.
- Aanbevolen opslagtemperatuur: -75°C/-104°F tot 70°C/158°F.

Accu's die regelmatig en diep ontladen worden, die onregelmatig opgeladen worden, die opgeslaan worden onder extreme temperaturen of zonder volledig te zijn opgeladen, kunnen permanent beschadigd worden wat op zijn beurt resulteert in onbetrouwbare prestaties en een beperkte levensduur. Het wordt aangeraden om uw accu's regelmatig op te laden, ook tijdens een lange periode van inactiviteit, om een betrouwbare prestatie te blijven garanderen.



WAARSCHUWING! Bescherm uw accu's altijd tegen vriestemperaturen en laad nooit een bevroren accu op. Een bevroren accu opladen kan die accu beschadigen.

Voor langere opslag is het beter enkele planken onder het frame van uw scootmobiel te plaatsen om deze van de grond te tillen. Dit haalt namelijk het gewicht van de banden en voorkomt het vormen van kale plekken op uw banden.

AFVOER VAN UW SCOOTMOBIEL

U dient uw scootmobiel volgens de plaatselijk geldende regels af te voeren. Neem contact op met de lokale afvalverwerking of uw erkende Leverancier voor informatie omtrent de juiste wijze van afvoer van de verpakkingen van uw elektrische rolstoe, het metalen frame, de plasticen onderdelen, de electronica, accu's en de neoprene, silicone, en polyurethane materialen.



ZUSAMMENBAUEN



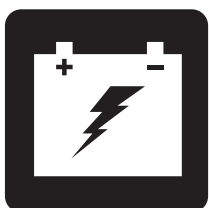
HANDHABUNG



INDIVIDUELLE ANPASSUNG



WARTUNG



BATTERIEN UND AUFLADUNG



TRAVEL SCOOTER SERIE

BETRIEBSHANDBUCH

ELEKTROMOBIL-AUSSTATTUNGSTABELLE

Modell	Konsolentyp				Batteriepack Stil			Aufladen der Batterien		Rahmenverriegelungstyp		Optionen *		
	A	B	C	D	A	B	C	Im Gerät	Extern	A (Rahmenverriegelungshebel)	B (Rahmenverschluss)	Der Sitzfederung	Beleuchtung	Verschiedenfarbige Abdeckblenden
36	•					•		•	•		•			
40X	•				•			•	•	•				
44X	•				•			•	•	•				
40E		•	•AU only		•			•	•	•				•
44E		•	•AU only		•			•	•	•				•
40LX				•	•			•	•	•		•	•	•
44LX				•	•			•	•	•		•	•	•
50LX				•	•			•	•	•			•	•
54LX				•	•			•	•	•			•	•
53			•		•			•	•	•				•
53HD			•		•			•	•	•				•
54			•		•			•	•	•		•		•
54HD			•		•			•	•	•				•
73				•	•			•	•	•		•	•	•
74				•	•			•	•	•		•	•	•
83		•						•			•			
84		•						•			•			

***HINWEIS:** Die Ausstattungsoptionen der Elektromobile können sich je nach Land unterscheiden. Bitte erkundigen Sie sich bei Ihrem Händler, welche Optionen für Ihr Elektromobil verfügbar sind.

HINWEIS: Bitte merken Sie sich die Modellnummer Ihres Elektromobils. Sie finden die Modellnummer in dem Produktdatenblatt, das Sie mit Ihrem Elektromobil erhalten haben. In diesem Handbuch werden die Eigenschaften des Elektromobils unter Bezugnahme auf die Modellnummer beschrieben (Spalte ganz links in der Elektromobil-Ausstattungstabelle). Wenn Sie die Modellnummer kennen, können Sie sich über die genauen Eigenschaften des von Ihnen erworbenen Elektromobils informieren.

BESTIMMUNGSGEMÄSSE VERWENDUNG

Dieses Gerät ist als Fortbewegungshilfsmittel für Personen gedacht, die auf eine sitzende Position eingeschränkt und zur Bedienung eines Elektromobils in der Lage sind.

ANMERKUNG: Dieses Benutzerhandbuch wurde aus den neuesten, zum Zeitpunkt der Veröffentlichung verfügbaren Spezifikationen und Produktinformationen zusammengestellt. Wir behalten uns vor, bei Bedarf Änderungen vorzunehmen. Alle Änderungen an unseren Produkten können geringe Unterschiede zwischen den Abbildungen und Erläuterungen in diesem Handbuch und dem von Ihnen erworbenen Produkt verursachen.

HINWEIS: Dieses Produkt erfüllt die Anforderungen der WEEE-, RoHS- und REACH-Richtlinien.

HINWEIS: Dieses Produkt entspricht IPX4 Klassifizierung (IEC 60529).

HINWEIS: Das Ihrem Elektromobil und seine Komponenten bestehen nicht aus Naturlatex. Bitte setzen Sie sich bezüglich jeglichen After-Market-Zubehörs mit dem Hersteller in Verbindung.



INHALT

SICHERHEITSWEISUNGEN	93
I. BETRIEBSSICHERHEIT	94
II. IHR ELEKTROMOBIL	96
III. BATTERIEN UND AUFLADUNG	103
IV. HANDHABUNG	110
V. INDIVIDUELLE ANPASSUNG	112
VI. ZERLEGEN UND ZUSAMMENBAUEN	115
VII. FEHLERSUCHE	118
VIII. PFLEGE UND WARTUNG	121

SICHERHEITSWEISUNGEN



WARNUNG! Ein Vertragslieferant von oder ein qualifizierter Techniker muss die Ersteinrichtung dieses Elektromobils vornehmen und alle Verfahren in diesem Handbuch befolgen.

Die folgenden Symbole werden in dieser Bedienungsanleitung und auf dem Produkt laufend verwendet und dienen zur Kennzeichnung von Warnungen und wichtigen Informationen. Es ist äußerst wichtig, diese zu lesen und vollständig zu verstehen.



WARNUNG! Weist auf potenziell gefährliche Zustände/Situationen hin. Das Nichtbefolgen der festgelegten Verfahren kann zu Verletzungen, Komponentenschäden oder Fehlfunktionen führen. Auf dem Produkt ist dieses Symbol schwarz in einem gelben Dreieck mit schwarzem Rand dargestellt.



ANWEISUNG! Diese Maßnahmen sollten nur wie beschrieben durchgeführt werden. Die Nichtbeachtung der vorgeschriebenen Maßnahmen kann zu Personen- bzw. Sachschäden führen. Auf dem Produkt ist dieses Symbol weiß in einem blauem Kreis mit weißem Rand dargestellt.



VERBOTEN! Diese Handlungen sollten unterlassen werden. Diese Handlungen dürfen Sie unter keinen Umständen vornehmen. Die Nichtbeachtung kann zu Personen- bzw. Sachschäden führen. Auf dem Produkt ist dieses Symbol schwarz in einem roten Kreis mit rotem Schrägstrich dargestellt.

I. BETRIEBSSICHERHEIT

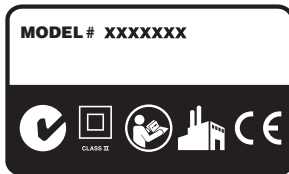
SYMBOLS DER PRODUKTSICHERHEIT

Die folgenden Symbole sind an Ihrem Elektromobil angebracht, um auf Warnungen, notwendige Maßnahmen und verbotene Handlungen hinzuweisen. Es ist sehr wichtig für Sie, diese komplett zu lesen und zu verstehen.

HINWEIS: Im Sicherheitsleitfaden, den Sie mit Ihrem Elektromobil erhalten haben, werden weitere Warnhinweise aufgeführt und erläutert. Bitte machen Sie sich mit allen Warnungen und Sicherheitsinformationen in diesem Leitfaden vertraut und lesen bei Bedarf nach.



Lesen und befolgen Sie die Angaben dieser Betriebsanleitung.



Elektromobil Informationsetikett.



Die Batterien vor der Inbetriebnahme vollständig aufladen.

Schlüssel abziehen, wenn das Elektromobil unbeaufsichtigt gelassen wird.



Sicherungspunkte.



Erfüllt nicht die Anforderungen der Norm ISO 7176-19 für die Verwendung als Sitz in Kraftfahrzeugen. Setzen Sie sich in Kraftfahrzeugen nicht in Ihr Elektromobil.



Hergestellt in.

I. BETRIEBS SICHERHEIT

ALLGEMEIN



ANWEISUNG! Vor der erstmaligen Inbetriebnahme Ihres Elektromobils sollten Sie diese Betriebsanleitung sowie den Sicherheitsleitfaden sorgfältig lesen und verstehen.

Ihr Elektromobil ist ein hochentwickeltes Gerät, das entworfen wurde, um Ihren Lebensstandard und Ihre Mobilität zu steigern. Ihr Hersteller bietet ein umfassendes Produktsortiment an, um Ihren individuellen Anforderungen gerecht zu werden. Die endgültige Auswahl und Kaufentscheidung hinsichtlich welches Elektromobilmodell in Betrieb genommen wird, obliegt dem/der Elektromobilbenutzer/in, sowie dem für ihn/sie zuständigen Arzt oder Therapeuten.

Dem Inhalt dieser Betriebsanleitung liegt die Annahme zugrunde, dass der zuständige Arzt bzw. autorisierte Fachhändler das geeignete Elektromobil dem Benutzer angepasst hat, und ihn über die entsprechenden Gebrauchsanweisungen unterrichtet hat.

Unter bestimmten Umständen, einschliesslich gewisser gesundheitlicher Beschwerden, muss der Benutzer die Handhabung des Elektromobils unter Aufsicht einer Pflegeperson üben. Eine Pflegeperson kann ein Familienmitglied oder eine ausgebildete Pflegeperson sein, die über geeignete Kenntnisse über die alltägliche Handhabung eines Elektromobils verfügt.

Im täglichen Umgang mit Ihrem Elektromobil kann es dazu kommen, dass sich einige Situationen ereignen, die ein wenig Übung erfordern. Lassen sie sich aber Zeit und Sie werden bald in der Lage sein, Türen, Aufzüge, Rampen und unregelmäßige Oberflächen gefahrlos und souverän zu meistern.

Weitere allgemeine Informationen finden Sie in den ergänzenden Informationsblättern und Unterlagen, die Sie mit Ihrem Elektromobil erhalten haben. Bitte lesen und prüfen Sie diese Dokumente und bewahren sie zum späteren Gebrauch griffbereit auf.

Unten aufgeführt sind einige Warnungen, Hinweise und Sicherheitsbestimmungen, die dem Benutzer helfen, sein Elektromobil sicher zu bedienen.

SICHERHEITSKONTROLLE

Gewöhnen Sie sich an Ihr Elektromobil und seine Fähigkeiten. Es wird empfohlen, eine Sicherheitskontrolle vor jeder Fahrt durchzuführen, damit Ihr Elektromobil reibungslos und sicher fährt.

Die folgenden Kontrollen sind vor der Fahrt durchzuführen:

- Den Zustand der Reifen prüfen. Stellen Sie sicher, dass die Reifen nicht beschädigt oder stark abgenutzt sind.
- Alle elektrische Anschlüsse auf Festigkeit prüfen. Sie sollen frei von Korrosion sein.
- Alle Steuerungsanschlüsse zur Steckerleiste auf Festigkeit prüfen.
- Die Bremsen auf einwandfreie Funktion prüfen.
- Prüfen Sie anhand der Batterieanzeige, dass die Batterien vollständig geladen sind.
- Achten Sie darauf, dass der Freilaufhandhebel auf den Fahrmodus eingestellt ist, bevor Sie sich auf das Elektromobil setzen.

Sollten sie ein Problem entdecken, wenden Sie sich an Ihren autorisierten Fachhändler. Bitte sehen Sie in der Kontaktinformations-Beilage nach, die Sie mit Ihrem Elektromobil erhalten haben.

II. IHR ELEKTROMOBIL

LENKERKONSOLE

Sämtliche Bedienelemente, die Sie beim Fahren mit dem Elektromobil benötigen, befinden sich an der Lenkerkonsole, u. a. Schlüsselschalter, Fahrhebel, Hupe, Geschwindigkeitsregler und Batterieanzeige. Bitte überprüfen Sie anhand der *Elektromobil-Ausstattungstabelle* auf der Seite 92 dieses Handbuchs, welche Konsolenabbildung für Ihr Elektromobil zutreffend ist. **Siehe Abbildungen 1 bis 4.**



VERBOTEN! Die Lenkerkonsole darf keiner Feuchtigkeit ausgesetzt werden. Wurde diese dennoch der Feuchtigkeit ausgesetzt, darf Ihr Elektromobil erst nach vollständigem Trocknen der Lenkerkonsole wieder in Betrieb genommen werden.

ERKLÄRUNG ZU ABB. 1 UND ABB. 4

- | | |
|---------------------------|---|
| 1. HUPE | 6. LADEGERÄTSTECKERANSCHLUß (LENKERANSCHLUSS) |
| 2. SCHLÜSSELSCHALTER | 7. SICHERUNG FÜR EXTERNE LADEGERÄTE |
| 3. BATTERIEANZEIGE | 8. BELEUCHTUNGSSICHERUNG |
| 4. GESCHWINDIGKEITSREGLER | 9. LICHTSCHALTER |
| 5. FAHRHEBEL | |

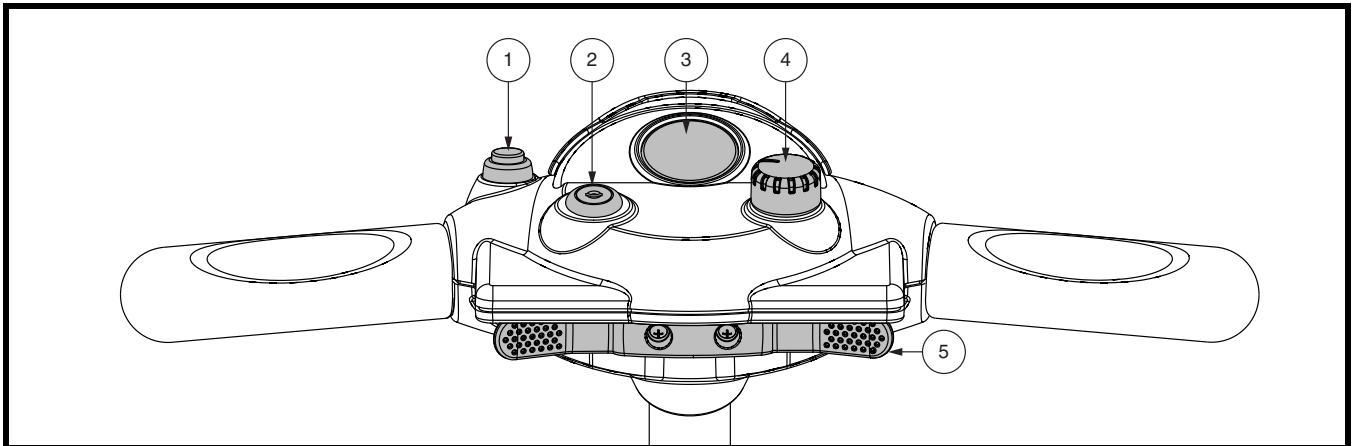


Abb. 1. Lenkerkonsole A

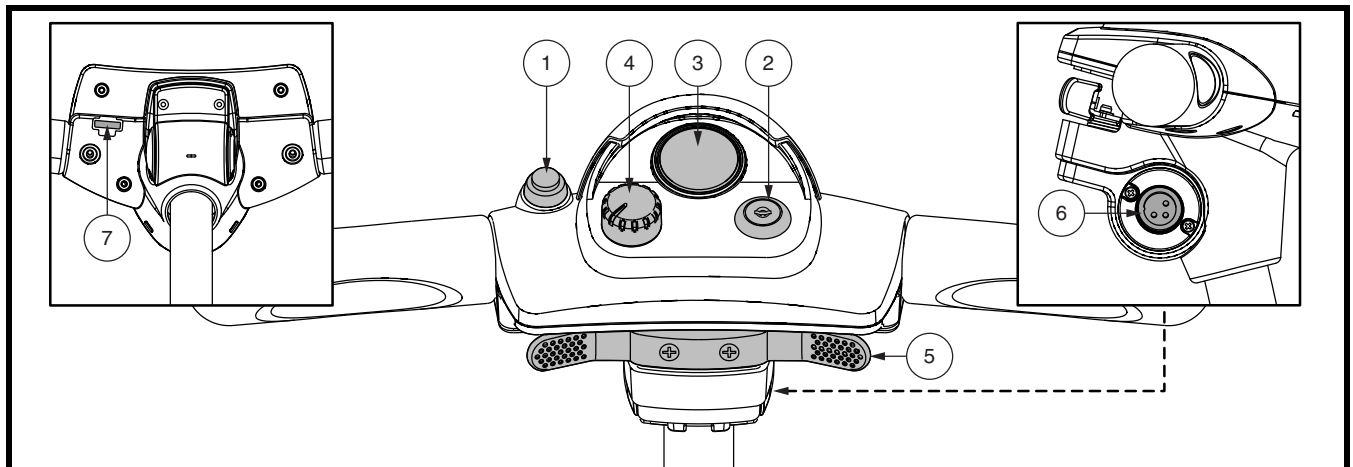


Abb. 2. Lenkerkonsole B

II. IHR ELEKTROMOBIL

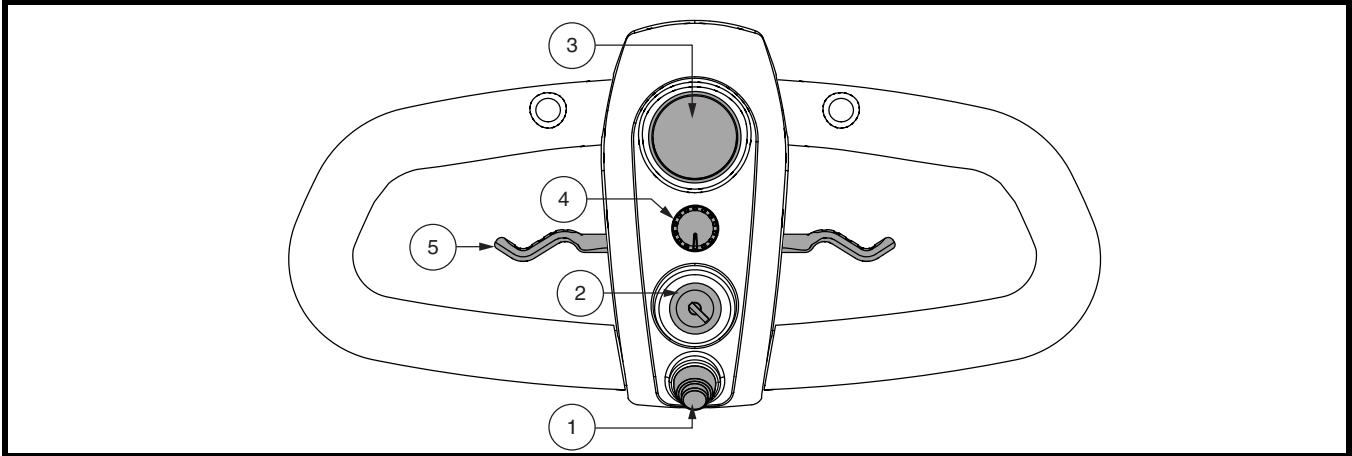


Abb. 3. Lenkerkonsole C

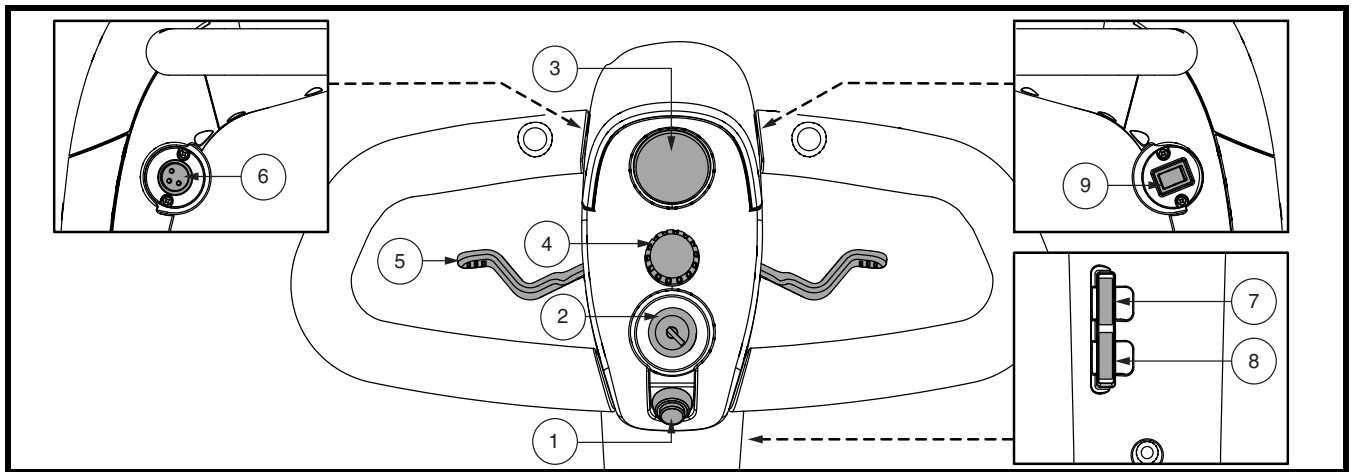


Abb. 4. Lenkerkonsole D

Hupe 📢

Um die Hupe zu aktivieren, muss der Schlüssel richtig im Schlüsselschalter stecken. Der Druckknopf lässt die Hupe ertönen. Zögern Sie nicht, die Hupe zu benutzen, um Unfälle oder Verletzungen zu vermeiden.

Schlüsselschalter 🔑

- Um Ihr Elektromobil einzuschalten, den Schlüssel in den Schlüsselschalter ganz einstecken und im Uhrzeigersinn drehen.
- Um Ihr Elektromobil auszuschalten, den Schlüssel entgegen dem Uhrzeigersinn drehen.

Obwohl Sie den Schlüssel im Schlüsselschalter lassen können, wenn das Elektromobil ausgeschaltet wird, empfehlen wir Ihnen, ihn abzuziehen, um die unbefugte Benutzung zu verhindern.



WARNUNG! Sollte der Schlüssel während der Fahrt in die „Aus“ Position geschaltet werden, schalten sich die elektronischen Bremsen ein und Ihr Elektromobil wird abrupt zum Stehen kommen!

Batterieanzeiger

Zeigt den ungefähren Ladezustand der Batterie an, wenn der Schlüssel vollständig in den Schlüsselschalter eingesteckt und zum Einschalten des Elektromobils im Uhrzeigersinn gedreht wird. Weitere Informationen zur Batterieanzeige finden Sie in Abschnitt III., „Batterien und Aufladung“.

II. IHR ELEKTROMOBIL

Geschwindigkeitsregler

Dieser Schalter erlaubt Ihnen, die Höchstgeschwindigkeit zu wählen und zu begrenzen.

- Die abgebildete Schildkröte stellt die langsamste Stufe dar.
- Der abgebildete Hase stellt die schnellste Stufe dar.

Fahrhebel

Mit diesem Hebel regeln Sie die Vorwärts- und Rückwärtsgeschwindigkeit bis hin zu der von Ihnen mit dem Vorwahlschalter eingestellten Höchstgeschwindigkeit.

- Ihre rechte Hand auf den rechten Lenkergriff, und die linke Hand auf den linken Lenkergriff legen.
- Um die Elektromobilbremse zu lösen und vorwärts zu fahren, drücken Sie mit Ihrem rechten Daumen auf die rechte Seite des Gashebels.
- Um rückwärts zu fahren, lassen Sie erst den Gashebel los, so dass Ihr Elektromobil zum Stillstand kommt. Drücken Sie dann den Gashebel in die andere Richtung.
- Bei vollständigem Loslassen des Gashebels kehrt der Gashebel automatisch in die Ausgangsposition (Stopstellung) zurück. Dabei werden die Bremsen eingeschaltet.

Lichtschalter (Falls vorhanden)

Dieser Schalter kontrolliert die Leuchten an Ihrem Elektromobil. **Siehe Abb. 4.**

- Drücken Sie den Schalter nach vorne, um die Beleuchtung einzuschalten.
- Drücken Sie den Schalter nach hinten, um die Beleuchtung auszuschalten.



WARNUNG! Benutzer des Elektromobils sind aufgefordert, bei schlechter Sicht die Fahrbeleuchtung zu benutzen – am Tage oder in der Nacht.

HECKTEIL

Der manuelle Freilaufhebel, die Stützräder und der Antrieb befinden sich im Heckteil Ihres Elektromobils wie gezeigt. **Siehe Abb. 5.**



WARNUNG! Bevor Sie ihr Elektromobil in oder aus dem Freilaufbetrieb schalten, entfernen Sie den Zündschlüssel aus dem Schlüsselschalter. Setzen Sie sich niemals auf ihr Elektromobil, solange es sich noch im Freilaufbetrieb befindet. Schalten Sie niemals an einer Steigung Ihr Elektromobil in den Freilaufbetrieb.

Manueller Freilaufhebel

Um Ihr Elektromobil über kurze Strecken zu schieben, können Sie es auf den Freilaufmodus umschalten.

Der manuelle Freilaufhebel befindet sich oben links am Heckteil.

1. Den Schlüssel aus dem Schlüsselschalter entfernen.
2. Freilaufhebel hochheben und nach vorne drücken um das Antriebs- und Bremssystem abzuschalten. Danach können Sie Ihr Elektromobil schieben.
3. Drücken Sie den manuellen Freilaufhebel nach unten, um das Antriebs- und Bremssystem wieder einzukuppeln; damit wird Ihr Elektromobil aus dem Freilaufmodus geschaltet.

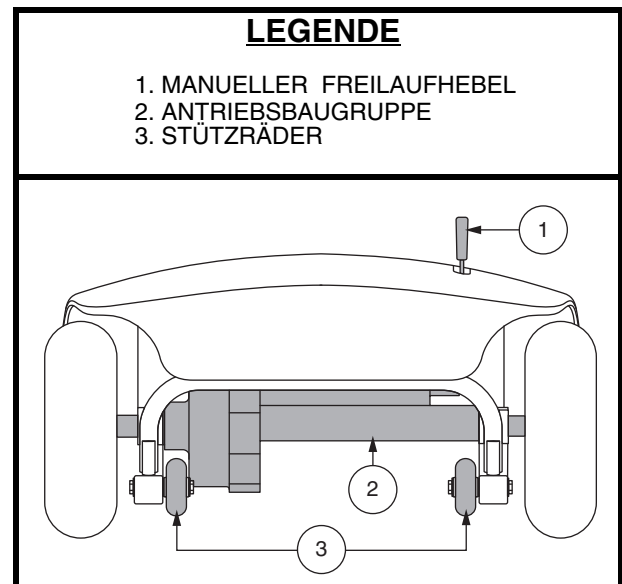


Abb. 5. Heckteil

II. IHR ELEKTROMOBIL

WARNUNG! Das Bremssystem ist deaktiviert, wenn sich Ihr Elektromobil im Freilaufmodus befindet.



- Entkoppeln Sie die Antriebsmotoren nur auf einer ebenen Oberfläche.
- Vergewissern Sie sich, dass der Schlüssel aus dem Schlüsselschalter entfernt wurde.
- Stellen Sie sich hinter das Elektromobil, um den Freilaufmodus zu aktivieren oder auszuschalten. Führen Sie diese Funktion nie aus, während Sie auf dem Elektromobil sitzen.
- Nachdem Sie Ihr Elektromobil verschoben haben, stellen Sie ihn immer wieder in den Antriebsmodus, um das Bremssystem zu aktivieren.

Antriebsbaugruppe

Die Antriebsbaugruppe ist eine elektromechanische Einheit, die elektrische Energie von Ihrem Elektromobil Batterien in die für den Radantrieb der Elektromobil benötigte mechanische Energie umwandelt.

Stützräder

Die Stützräder sind ein integraler und wichtiger Sicherheitsaspekt Ihres Elektromobils. Sie sind am Rahmen im hinteren Bereich Ihres Elektromobils befestigt.



VERBOTEN! Bauen Sie niemals die Stützräder ab und nehmen Sie keine Änderungen vor, die nicht von ihr hersteller autorisiert sind.



WARNUNG! Die Stützräder können beim Hochoder Runterfahren einer Bordsteinkante den ruhigen Lauf Ihres Elektromobils beeinträchtigen. Für mehr Informationen wenden Sie sich bitte an Ihren autorisierten Fachhändler.

Hauptunterbrecher (Rücksetzschalter)

Bei einer zu niedrigen Batteriespannung oder bei der Überlastung des Elektromobils durch schwere Last oder zu große Steigungen, ist ein Auslösen der Hauptunterbrecher möglich, um Motor und Elektronik vor Schäden zu schützen. **Siehe Abb. 6.**

- Beim Auslösen der Sicherung springt der Rücksetzschalter heraus.
- Sollte der Sicherung ausgelöst werden, wird die gesamte Stromversorgung unterbrochen.
- Lassen Sie die Elektronik ein oder zwei Minuten lang ruhen.
- Drücken Sie den Schalter, um die Sicherung zurückzustellen.
- Bei mehrfachen Auslösen der Sicherung sollten Sie die Batterien öfter aufladen oder einen Batterieladungstest von Ihrem autorisierten Fachhändler durchführen lassen.
- Bei wiederholten Auslösen der Sicherung wenden Sie sich an Ihren autorisierten Fachhändler, um eine Wartung durchzuführen.

II. IHR ELEKTROMOBIL

BATTERIEPACK

Ihr Elektromobil ist mit einem leicht herausnehmbaren, innovativen Batteriepack versehen. Das Batteriepack kann mittels eines auf dem Deckel befindlichen Griffes aus dem Elektromobil mit einer Hand leicht herausgehoben werden. Das Batteriepack umfasst zwei wiederaufladbare Batterien und eventuell den Batterieladegerätstecker, den Hauptunterbrecher (Rücksetzschalter) und die Batteriepacksicherung. Siehe Abb. 6.

LEGENDE

- | | |
|--------------------------------|---------------------------------------|
| 1. BATTERIEPACK | 5. HAUPTUNTERBRECHER (RÜCKSTELLKNOPF) |
| 2. HANDGRIFF DES BATTERIEPACKS | 6. BATTERIEVERKABELUNG |
| 3. LADEGERÄTSTECKERANSCHLUSS | 7. BATTERIEANSCHLÜSSE |
| 4. BATTERIEPACK SICHERUNG | 8. LENKERKONSOLENSICHERUNG |

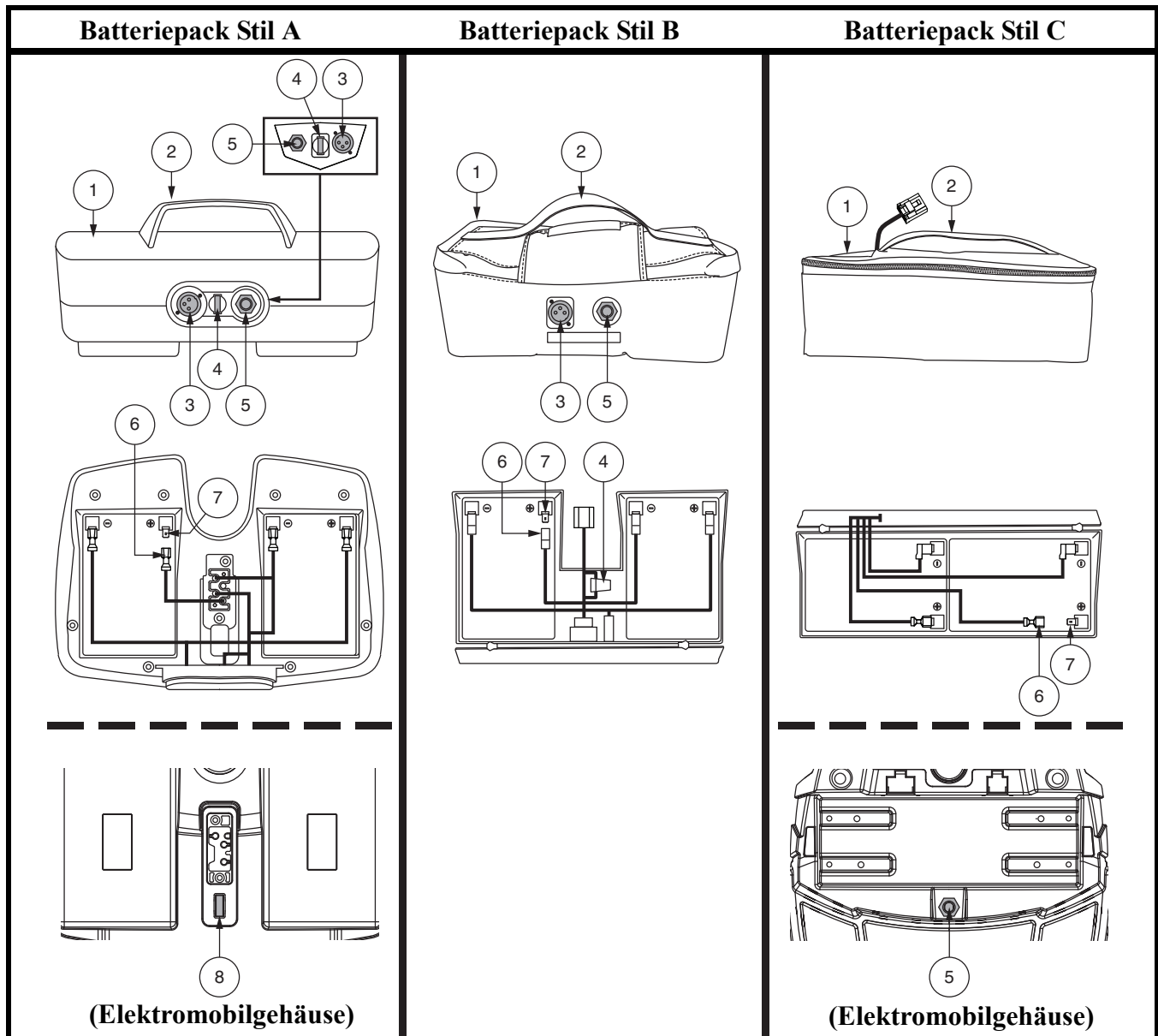


Abb. 6. Batteriepack

II. IHR ELEKTROMOBIL

Ladegerätsteckeranschluß

Das 3-polige externe Batterieladegerät kabel des Elektromobils wird an dieser Steckdose angeschlossen. **Siehe Abb. 7 und 8.**

LENKERKONSOLE SICHERUNG (FALLS VORHANDEN)

Die Sicherung befindet sich unter dem Batteriepack und schützt die Elektronik der Lenkerkonsole. **Siehe Abb. 6.** Im Fall, dass ein Gerät der Lenkerkonsole nicht reagiert, überprüfen Sie die Sicherung. Folgen Sie den Anweisungen in VIII. „Fehlersuche“ für den Austausch der Sicherung.

EXTERNER BATTERIELADEGERÄT

Das externe Batterieladegerät, verbunden mit dem Ladekabel in der Steckdose und der Wandsteckdose, lädt die Batterien Ihres Elektromobils. **Siehe Abb. 9.**

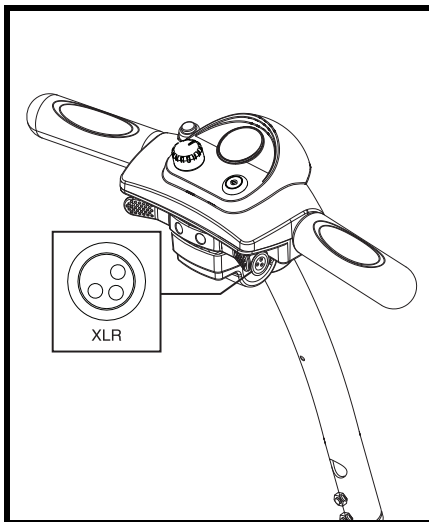


Abb. 7. Ladegerätsteckeranschluß (Montiert am Deichselkopf)

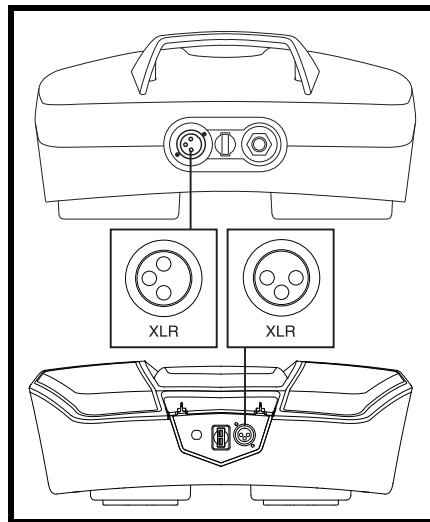


Abb. 8. Ladegerätsteckeranschluß (Batteriepack)

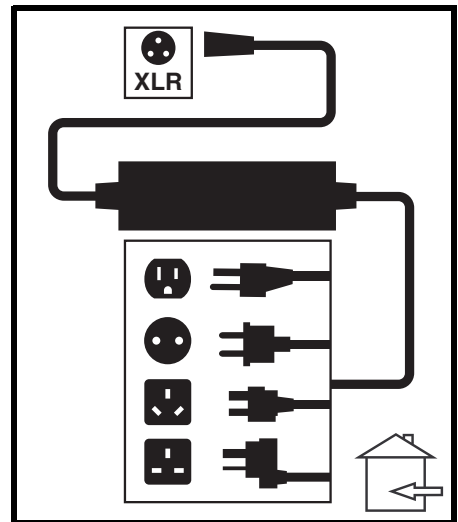


Abb. 9. Externes Batterieladegerät

SICHERUNGSPUNKTE

An den Winkeln der Stützräder und/ oder dem vorderen Rahmen Ihres Elektromobils angeschweißte Stahllösen dienen als Sicherungspunkte. **Siehe Abb. 10.** Diese sollten nur benutzt werden, wenn das Elektromobil nicht besetzt ist und mit einem zugelassenen Sicherungssystem gemäß Herstellerangaben befestigt wird. Führen wir weder Eignungsnachweise für die Nutzung mit speziellen Sicherungssystemen durch, noch könnten wir die unterschiedlichen Situationen, die sich bei Gebrauch im öffentlichen Verkehr ergeben könnten, voraussehen. Für ausführliche Anweisungen für die Benutzung der Sicherungssysteme, wenden Sie sich bitte an die örtliche Verkehrsbehörde und/ oder Hersteller des eingesetzten Systems.



WARNUNG! Versichern Sie sich, dass Ihr Elektromobil während des Transports in Fahrzeugen ordnungsgemäß gesichert ist. Elektromobile, die nicht gesichert sind, können zu Schaden oder Gefahr von Benutzer und anderen Passagieren im Falle von plötzlichem Anhalten, oder scharfen Lenkungen, sowie zum Umkippen oder zur Seite rutschen des Elektromobils führen.

II. IHR ELEKTROMOBIL

LEGENDE

1. Vordere sicherungspunkte (3-rad modelle)
 - 1a. Nur Modelle 83 und 84
 - 1b. Modelle 36, 40X, 44X, 40E, 44E, 40LX, 44LX, 50LX, 54LX, 53, 53HD, 54, 54HD, 73, und 74
2. Vordere sicherungspunkte (4-rad modelle)
3. Hintere sicherungspunkte

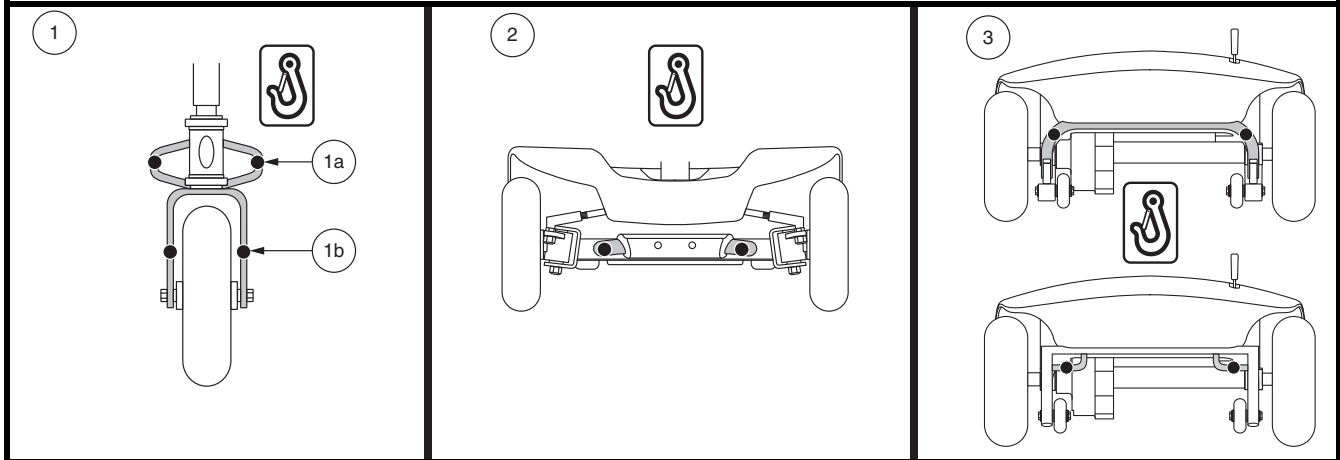


Abb. 10. Sicherungspunkte (Durch schwarze Punkte gekennzeichnet)

ABDECKBLENDEN

Bei bestimmten Modellen können Sie die Farbe Ihres Elektromobils verändern, indem Sie die farbigen Kunststoffabdeckblenden entfernen und gegen einen anderen mitgelieferten Satz austauschen. Die Abdeckblenden sind mit einer wieder verwendbaren Haken-/ Ösenverbindung befestigt. **Siehe Elektromobil-Ausstattungstabelle (Seite 92).**

So entfernen Sie die Verkleidungselemente:

1. Benutzen Sie Ihre Finger zur Suche der Löcher zum Herausdrücken hinter der Abdeckblende.
2. Drücken Sie durch diese Löcher, um das jeweilige Teil von dem Elektromobil zu lösen. **Siehe Abb. 11.**

Entfernen der Schutzscheibe der Lenkerkonsole:

1. Drücken Sie die Oberseite der Schutzscheibe behutsam von der Lenkerkonsole weg und heben sie dann nach oben. **Siehe Abb. 12.**

Für den Wiedereinbau der Abdeckblenden setzen Sie jedes Teil wieder an die entsprechende Position, und drücken Sie sie leicht in die Halterung.

HINWEIS: Überzeugen Sie sich beim Einbau des vorderen Schutzbleches davon, dass die Lasche am unteren Ende der Blende in die entsprechende Öffnung passt, bevor Sie die Blende eindrücken und sichern. **Siehe Abb. 11.**

LEGENDE

1. Hinteres Schutzblech
2. Vorderes Schutzblech

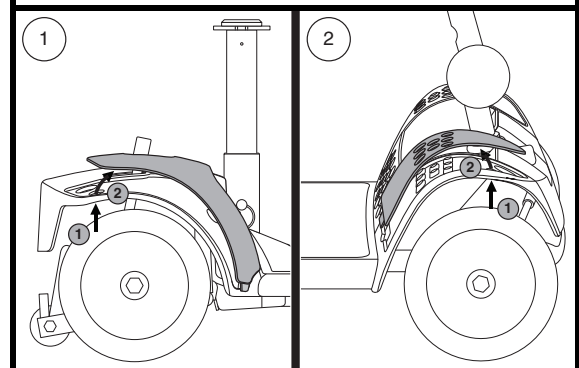


Abb. 11. Schutzblech

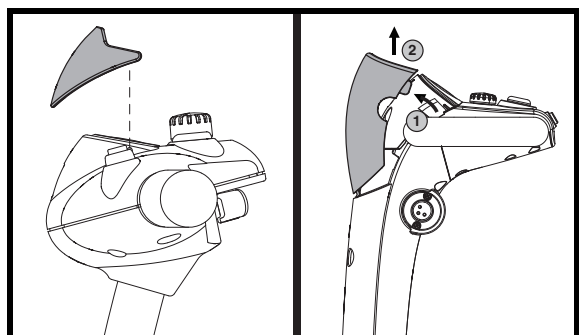


Abb. 12. Lenkerkonsole Schutzvisier

III. BATTERIEN UND AUFLADUNG

BATTERIEN UND AUFLADUNG

Ihr Elektromobil ist mit zwei versiegelten und wartungsfreien 12 V Batterien ausgerüstet.

- Laden Sie die Batterien Ihres Elektromobils vor der ersten Benutzung mindestens 8 bis 14 Stunden lang auf.
- Ihre Batterien sollten immer vollständig aufgeladen sein, um das einwandfreie Betreiben Ihres Elektromobils zu gewährleisten.

ABLESEN DER BATTERIESPANNUNG

Der Batterieanzeiger auf der Lenkerkonsole zeigt die ungefähre Kapazität der Batterien mittels einer Farbcodierung an. Von rechts nach links gelesen: bei Grün sind die Batterien vollgeladen, Gelb zeigt eine Entladung an und bei Rot ist eine sofortige Aufladung der Batterien nötig. **Siehe Abb. 13.** Um die größtmögliche Genauigkeit zu erreichen, sollte der Batterieanzeiger des Elektromobils bei maximaler Geschwindigkeit auf trockenem, ebenem Untergrund getestet werden.

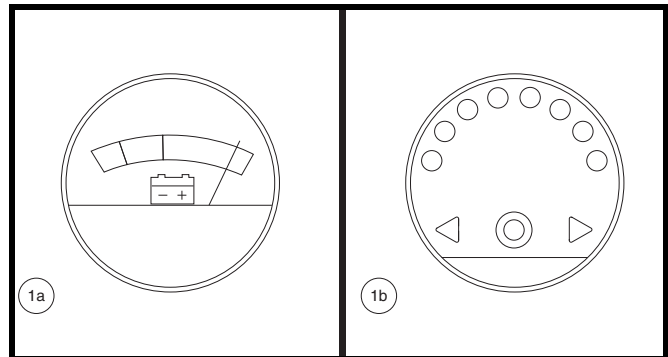


Abb. 13. Batterieanzeige

AUFLADEN DER BATTERIEN

HINWEIS: Bei manchen Modellen kann das Batteriepack sowohl im Elektromobil als auch extern aufgeladen werden. Siehe Elektromobil-Ausstattungstabelle.



VERBOTEN! Das Entfernen des Erdungsstiftes kann zu elektrischer Gefährdung führen. Wenn notwendig, installieren Sie einen zugelassenen 3-poligen Adapter an einem elektrischen Ausgang mit einer 2-poligen Steckdose.



VERBOTEN! Benutzen Sie niemals eine Verlängerung mit dem Ladegerät. Stecken Sie das Ladegerät direkt in eine korrekt verkabelte Normsteckdose.



VERBOTEN! Vermeiden Sie während des Ladevorgangs das unbeaufsichtigte Spielen von Kindern in der Nähe des Elektromobils. Ihr Hersteller empfiehlt, die Batterien nicht bei besetztem Elektromobil zu laden.



ANWEISUNG! Lesen Sie vor dem Aufladen der Batterien die Anweisungen zum Batterieladen in diesem Handbuch.



WARNUNG! Während des Ladevorganges können explosive Gase entstehen. Halten Sie das Elektromobil und das Batterieladegerät fern von jeder Zündquelle, wie Flammen oder Funken, und sorgen Sie für eine angemessene Belüftung während Sie die Batterien laden.

WARNUNG! Sie müssen die Batterien Ihres Elektrorollstuhls mit dem mitgelieferten separaten Batterieladegerät aufladen. Verwenden Sie kein Batterieladegerät für Automobile.



WARNUNG! Überprüfen Sie vor jedem Gebrauch das Ladegerät, die Verkabelung und Steckverbindungen auf Beschädigungen. Wenden Sie sich an Ihren autorisierten Fachhändler, sobald Sie eine Beschädigung feststellen.

WARNUNG! Versuchen Sie nicht, das Gehäuse des Ladegeräts zu öffnen. Sollte das Ladegerät nicht einwandfrei funktionieren, wenden Sie sich an Ihren autorisierten Fachhändler.

III. BATTERIEN UND AUFLADUNG

WARNUNG! Ist Ihr Ladegerät mit Kühlschlitzen ausgestattet, versuchen Sie nicht, Gegenstände durch diese Schlitze zu schieben.



WARNUNG! Beachten Sie, dass sich das Gehäuse des Batterieladegeräts während des Ladevorgangs erhitzen kann. Vermeiden Sie die Berührung und stellen Sie das Gerät nicht auf eine Fläche, die durch Hitze beschädigt werden könnte.



WARNUNG! Ist Ihr externes Ladegerät nicht für den Gebrauch im Freien getestet und zugelassen, setzen Sie es nicht widrigen oder extremen Wetterbedingungen aus. Sollte das Ladegerät mal widrigen oder extremen Wetterbedingungen ausgesetzt sein, muss es die Möglichkeit haben, sich an die Unterschiede in den Umweltbedingungen anpassen zu können, bevor Sie es wieder innerhalb von geschlossenen Räumen verwenden.

Befolgen Sie die folgenden einfachen Schritte für eine sichere Ladung der Batterien (Abb. 14):

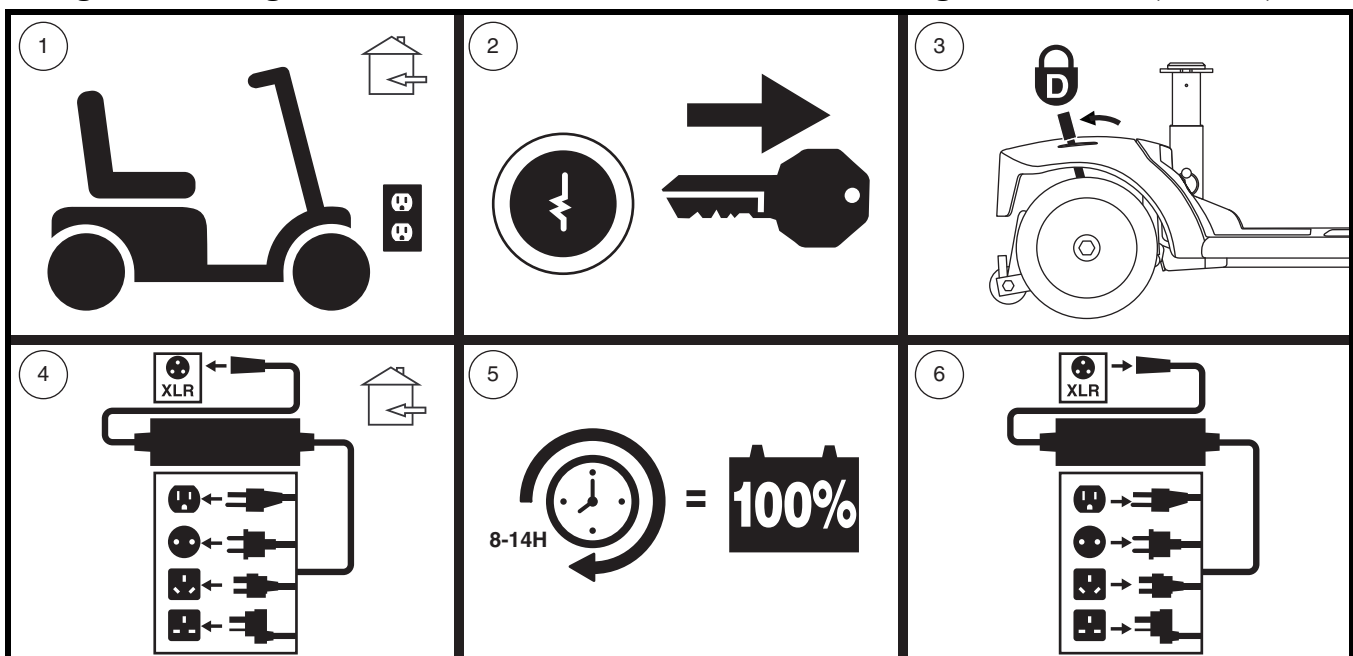


Abb. 14. Vorgehensweise zum Aufladen der Batterien



WARNUNG! Die LED Lichter am Ladegerät zeigen die jeweiligen Ladezustände zu den unterschiedlichen Zeiten an. Falls die LED nicht innerhalb von 24 Stunden anzeigt, dass der Ladevorgang abgeschlossen wurde, trennen Sie das Ladegerät von der Steckdose und wenden sich an Ihren Händler. Benutzen Sie bitte die mit dem Ladegerät gelieferte Bedienungsanleitung für eine vollständige Erklärung dieser Anzeichen.

HINWEIS: Ihr Elektromobil verfügt über eine Ladeunterbrechungsfunktion. Ihr Elektromobil wird sich nicht bewegen, und der Batterieanzeiger wird nicht funktionieren, solange die Batterien aufgeladen werden.

III. BATTERIEN UND AUFLADUNG

HÄUFIG GESTELLE FRAGEN

Wie funktioniert das Ladegerät?

Bei niedriger Batteriespannung des Elektromobils ist der Ladestrom von dem Ladegerät dementsprechend hoch. Sobald sich die Batteriespannung der Vollladung nähert, wird die Ladestromzufuhr von dem Ladegerät niedriger. Bei Vollladung liegt die Stromzufuhr bei Null Ampere. Folglich kann das angeschlossene Ladegerät die Stromzufuhr aufrechterhalten, ohne dabei die Batterien zu überladen. Anweisungen zum Aufladen finden Sie in der mit dem Ladegerät gelieferten Anleitung.

Darf ich ein anderes Ladegerät benutzen?

Die Ladegeräte werden exakt auf ihre speziellen Anwendungen ausgesucht und auf den Typ, Größe und die chemische Zusammensetzung der entsprechenden Batterie abgestimmt. Wir empfehlen Ihnen, nur das als Originalzubehör mit Ihrem Produkt gelieferte Ladegerät zu verwenden, um das Elektromobil auf die sicherste und ökonomischste Weise aufzuladen. Jegliche Methode, die Batterie mit anderen Geräten aufzuladen, ist ausdrücklich verboten.

Warum laden die Elektromobilbatterien nicht auf?

- Kontrollieren Sie, dass die Sicherung nicht ausgelöst ist. **Siehe Abb. 6 oder 7.**
- Achten Sie darauf, dass beide Enden des Ladegerätkabels richtig eingesteckt sind.

Wie oft muss ich die Batterien aufladen?

Um entscheiden zu können, wie oft Sie die Elektromobilbatterien aufladen sollen, sollten Sie zwei Hauptfaktoren berücksichtigen:

- Tägliche, ganztägige Verwendung Ihres Elektromobils.
- Seltene oder sporadische Verwendung Ihres Elektromobils.

Unter Berücksichtigung dieser Faktoren kann man entscheiden, wie oft und wie lange die Batterien aufgeladen werden müssen. Das externe Batterieladegerät ist so konzipiert, dass eine Überladung der Batterien verhindert wird. Dennoch können Probleme auftauchen, wenn Sie die Batterien selten oder unregelmäßig aufladen. Um für ein gefahrloses und zuverlässiges Betreiben und Aufladen der Batterien zu sorgen, folgen Sie den im Folgenden erwähnten Richtlinien:

- Wenn Sie Ihr Elektromobil täglich verwenden, laden Sie die Batterien auf, sobald am jeweiligen Tag keine weitere Benutzung mehr zu erwarten ist. Das Elektromobil ist dann am nächsten Morgen einsatzbereit. Wir empfehlen Ihnen, die Batterien nach der täglichen Benutzung wenigstens 8 bis 14 Stunden aufzuladen. Es ist ratsam, den Ladevorgang weitere 4 Stunden fortzusetzen, nachdem das Ladegerät volle Batterien angezeigt hat.
- Wenn Sie Ihr Elektromobil einmal wöchentlich oder weniger verwenden, laden Sie die Batterien mindestens einmal pro Woche für wenigstens 24 Stunden auf.

HINWEIS: Achten Sie darauf, die Batterien vollständig aufzuladen, und vermeiden Sie Tiefentladungen. Anweisungen zum Aufladen finden Sie in der mit dem Ladegerät gelieferten Anleitung. Zur Verbesserung von Leistung und Lebensdauer empfiehlt Ihren autorisierten Fachhändler, die Batterien mindestens einmal im Monat ohne Unterbrechung für 48 Stunden aufzuladen.

III. BATTERIEN UND AUFLADUNG

Wie Sorge ich für eine lange Lebensdauer der Batterien?

Voll aufgeladene zyklenfeste Batterien erbringen eine zuverlässige Leistung und haben ein langes Betriebsleben. Achten Sie darauf, dass die Batterien möglichst immer voll aufgeladen sind. Entladene, unregelmäßig aufgeladene oder unvollständig aufgeladene und dann eingelagerte Batterien können dauerhaft beschädigt werden, so dass es zu einer unzuverlässigen Leistung und einem begrenzten Betriebsleben kommen kann.

HINWEIS: Schalten Sie für eine längere Lebensdauer der Batterien das Elektromobil bei Nichtbenutzung stets aus und ziehen den Schlüssel ab.

Wie kann ich mit einer Batterieladung die maximale Reichweite erreichen?

Sie werden selten ideale Fahrverhältnisse erleben, wie z.B. glatte, ebene, feste Oberflächen ohne Wind und Kurven. Sie werden oft mit Steigungen, Spalten im Fußweg, unebenen und weichen Oberflächen, Kurven und Wind konfrontiert werden, die die Reichweite und Betriebszeit pro Batterieladung beeinflussen können. Zum Erreichen einer maximalen Reichweite pro Batterieladung schlagen wir folgendes vor:

- Vor der Verwendung laden Sie Ihre Elektromobilbatterien voll auf.
- Versuchen Sie beim Planen Ihrer Fahrstrecke, Steigungen, sowie beschädigte oder weiche Oberflächen zu vermeiden.
- Nehmen Sie kein unnötiges Gepäck mit.
- Versuchen Sie, während der Fahrt ein gleichmäßiges Tempo zu halten.
- Stop-and-go Fahren vermeiden.
- Zur Verbesserung von Leistung und Lebensdauer empfehlen wir, die Batterien mindestens einmal im Monat ohne Unterbrechung für 48 Stunden aufzuladen.
- Stellen Sie sicher, dass alle Kabelverbindungen ordnungsgemäß hergestellt sind.

Welche Art von Batterien soll ich verwenden?

Wir empfehlen verschlossene und wartungsfreie zyklenfeste Batterien. Verschlossene AGM und Gel-Zelle Batterien sind zyklenfeste Batterien, die eine ähnliche Betriebsleistung aufweisen. Verwenden Sie nie Nasszellenbatterien, die abnehmbare Kappen haben.



WARNUNG! In Batterien können korrosive Chemikalien enthalten sein. Verwenden Sie nur AGM oder Gelzellen-Batterien, um das Risiko von Undichtheiten oder explosiven Bedingungen zu verringern.

HINWEIS: Versiegelte Batterien sind nicht einsatzbereit. Entfernen Sie nicht die Kappen.

III. BATTERIEN UND AUFLADUNG

Warum bringen neue Batterien nicht gleich die volle Leistung?

Zyklusfeste Batterien verwenden eine andere chemische Technologie als Kraftfahrzeugbatterien, Nickelkadmium Batterien (NiCad) oder andere herkömmliche Batterien. Zyklusfeste Batterien wurden speziell dafür entwickelt, um Energie zu liefern, eine Entladung zu erlauben und eine relativ schnelle Aufladung zu erreichen.

Um Ihr Elektromobil und dessen spezifische elektrische Anforderungen mit den am besten geeigneten Batterien zu versorgen, arbeiten wir eng mit unserem Batteriehersteller zusammen. Neue Batterien werden voll aufgeladen an unsere Kunden ausgeliefert. Während des Transportes können die Batterien extremen Temperaturschwankungen ausgesetzt werden, welche die ursprüngliche Leistung beeinflussen können. Hitze verringert die Spannung, durch Kälte wird die Abgabe der vorhandenen Leistung verlangsamt und die Batterieladezeit verlängert.

Es kann einige Tage dauern, bevor die Temperatur der Batterien sich stabilisiert und sich der neuen Umgebungstemperatur angepasst hat. Darüber hinaus sind einige Nachladungen (Teilentladungen mit anschließenden Vollladungen) nötig, um das kritische chemische Gleichgewicht zu schaffen, das für die Höchstleistung und eine lange Lebensdauer der zyklusfesten Batterie erforderlich ist.

Um Ihre neuen Batterien für maximale Leistung und Kapazität vorzubereiten, befolgen Sie diese Schritte:

1. Vor der ersten Verwendung die neuen Batterien voll aufladen. Dadurch erreicht die Batterie 88% des Leistungsniveaus.
2. Fahren Sie Ihr Elektromobil in einer sicheren Umgebung und fahren Sie zuerst langsam. Fahren Sie keine weiten Strecken oder in unbekanntes Gebiet, bevor Sie sich an die Steuerung gewöhnt haben und die Batterien richtig eingelaufen sind.
3. Batterien nochmals voll aufladen. Die Batterien müssen jetzt über 90% ihres Leistungspotentials abgeben.
4. Ihr Elektromobil nochmals in Betrieb nehmen.
5. Batterien nochmals voll aufladen.
6. Nach vier oder fünf Nachladungen erbringen die Batterien 100% ihrer Spitzenleistung und erreichen eine längere Betriebsdauer.

Wie ist es mit dem öffentlichen Verkehr?

Wollen Sie öffentliche Verkehrsmittel mit Ihrem Elektromobil benutzen, setzen Sie sich vorher mit dem Verkehrsbetrieb in Verbindung, um eventuell spezifische Erfordernisse zu klären.

III. BATTERIEN UND AUFLADUNG

Wie wechsel ich die Batterie in meinem Elektromobil?



ANWEISUNG! Batteriestutzen, Pole und Zubehörteile sind bleihaltig oder beinhalten Bleiverbindungen. Schützen Sie Augen und Hände. Nach Arbeiten an den Batterien stets die Hände reinigen.



WARNUNG! Immer zwei Batterien identischen Typs, chemischen Aufbaus und identischer Amperestundenkapazität (Ah) verwenden. Die empfohlenen Typen und Kapazitäten finden Sie in der Tabelle mit technischen Daten in diesem Handbuch und in dem mit dem Batterieladegerät gelieferten Handbuch.

WARNUNG! Keine alten und neuen Batterien mischen. Immer beide Batterien gleichzeitig auswechseln.

WARNUNG! Falls Sie irgendwelche Fragen bezüglich der Batterien in Ihrem Elektromobil haben, wenden Sie sich bitte an Ihren Vertragslieferanten.



WARNUNG! Die Batterie nicht auswechseln, wenn sich jemand im Elektromobil befindet.

WARNUNG! Die Batterien in Ihrem Elektromobil sollten nur von einem Vertragslieferanten oder einem qualifizierten Techniker gewartet oder ausgetauscht werden.



VERBOTEN! Halten Sie Werkzeuge oder andere Metallobjekte von den Batterieanschlüssen fern. Der Kontakt mit Werkzeugen kann einen elektrischen Schlag auslösen.

Für die Batteriewechsel benötigen Sie:

- Metrische/ Standard Innensechskantschlüsselsatz und Ratsche
- Einstellbarer Schraubenschlüssel



WARNUNG! Das Heben von Gewichten über Ihr Leistungsvermögen hinaus kann zu Verletzungen führen. Falls erforderlich, holen Sie bei der Zerlegung Ihres Elektromobils Hilfe.

WARNUNG! Ziehen Sie niemals direkt an einem Stromkabel, um es vom Elektromobil zu trennen. Halten Sie zum Trennen des Kabels stattdessen den Stecker. Dadurch wird eine Beschädigung der Drähte vermieden.

So wechseln Sie die Batterien (Batteriepack Stil A, siehe Abb. 6):

1. Entfernen Sie das Batteriepack von Ihrem Elektromobil.
2. Drehen Sie das Batteriepack vorsichtig auf den Kopf.
3. Entfernen Sie die am Umfang verteilten Schrauben des Batteriepacks.
4. Drehen Sie das Batteriepack vorsichtig wieder herum und entfernen Sie die Abdeckung.
5. Unterbrechen Sie das schwarze (-) und rote (+) Batteriekabel von den Batteriepolen.
6. Entfernen Sie die alte Batterie.
7. Stellen Sie eine neue Batterie in das Batteriepack.
8. Verbinden Sie das rote Batteriekabel mit dem positiven (+) Batteriepol.
9. Verbinden Sie das schwarze Batteriekabel mit dem negativen (-) Batteriepol.
10. Legen Sie die Abdeckung wieder auf das Batteriepack.
11. Drehen Sie es vorsichtig auf den Kopf.
12. Setzen Sie alle Schrauben wieder ein und drehen sie fest.

III. BATTERIEN UND AUFLADUNG

HINWEIS: Bei manchen Batterien müssen zum Trennen des Kabels vom Batterieanschluss eine Mutter und eine Schraube entfernt werden. Siehe Abb. 15.

So wechseln Sie die Batterien (Batteriepack Stil B, siehe Abb. 6):

1. Trennen Sie das Batteriekabel ab und entnehmen das Batteriepack aus dem Elektromobil. **Siehe Abb. 16.**
2. Öffnen Sie das Batteriepack, um die Batterien zu erreichen.
3. Unterbrechen Sie das schwarze (-) und rote (+) Batteriekabel von den Batteriepolen.
4. Entfernen Sie die alte Batterie.
5. Setzen Sie die neuen Batterien in das Batteriepack.
6. Verbinden Sie das rote Batteriekabel mit dem positiven (+) Batteriepol.
7. Verbinden Sie das schwarze Batteriekabel mit dem negativen (-) Batteriepol.
8. Schließen Sie das Batteriepack vollständig.
9. Installieren Sie das Batteriepack wieder im Elektromobil und schließen das Batteriekabel an.

So wechseln Sie die Batterien (Batteriepack Stil C, siehe Abb. 6):

1. Nehmen Sie den Sitz und die Heckverkleidung ab.
2. Trennen Sie die Batteriekabel ab und öffnen den Haltegurt. Nehmen Sie das Batteriepack dann aus dem Elektromobil. **Siehe Abb. 16.**
3. Öffnen Sie das Batteriepack, um die Batterien zu erreichen.
4. Unterbrechen Sie das schwarze (-) und rote (+) Batteriekabel von den Batteriepolen.
5. Entfernen Sie die alte Batterie.
6. Setzen Sie die neuen Batterien in das Batteriepack.
7. Verbinden Sie das rote Batteriekabel mit dem positiven (+) Batteriepol.
8. Verbinden Sie das schwarze Batteriekabel mit dem negativen (-) Batteriepol.
9. Schließen Sie das Batteriepack vollständig.
10. Installieren Sie das Batteriepack wieder im Elektromobil, sichern den Haltegurt und schließen das Batteriekabel an.
11. Bringen Sie den Sitz und die Heckverkleidung wieder an.

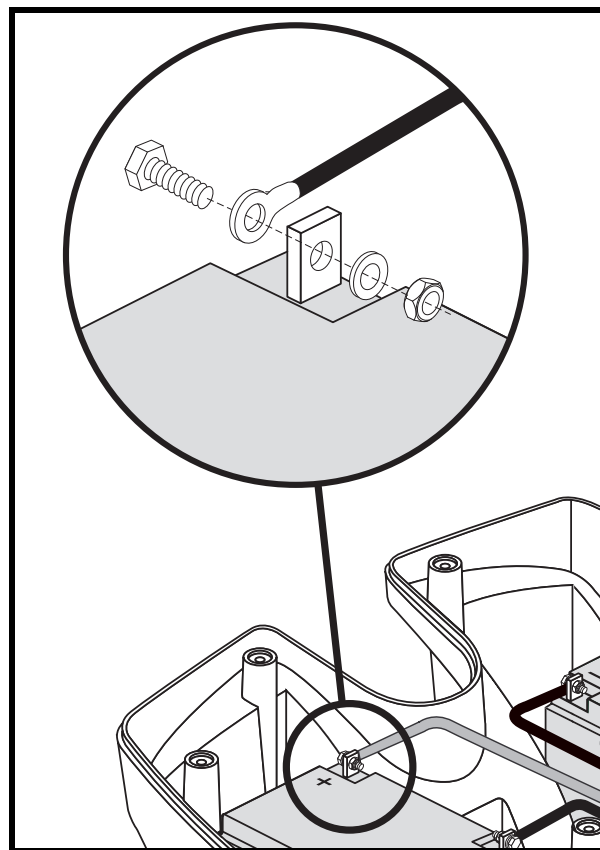


Abb. 15. Trennen des Batteriekabels bei einem 17-22 Ah Batteriegehäuse

LEGENDE

1. Batterie-Haltegurt
2. Zentralverbindungskabel
3. Batteriekabel

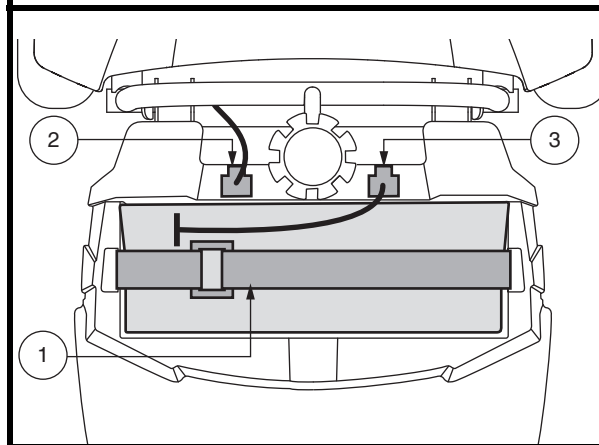


Abb. 16. Batterie-Haltegurt

HINWEIS: Beschädigte Batterien sollen in Plastik verpackt werden. Setzen Sie sich mit Ihrem autorisierten Fachhändler in Verbindung, um Anweisungen bezüglich der Entsorgung zu erhalten. Ihr Fachhändler hat zusätzliche von uns empfohlene Informationen zum Batterierecycling.

IV. HANDHABUNG

VOR DER FAHRT

- Haben Sie Ihre Batterien voll aufgeladen? Siehe III. „Batterien und Aufladung.“
- Ist der manuelle Freilaufhebel in der Antriebsstellung (nach hinten)? Lassen Sie den manuellen Freilaufhebel niemals in der Freilaufstellung (nach vorne), es sei denn, Ihr Elektromobil wird geschoben.
- Ist der Lenkersicherungshebel entriegelt? Siehe VI. „Zerlegen und Zusammenbauen.“

DAS AUFSTEIGEN

1. Nehmen Sie den Schlüssel aus dem Schlüsselschalter.



WARNUNG! Versuchen Sie nie auf Ihr Elektromobil zu steigen ohne erst den Schlüssel aus dem Schlüsselschalter zu entfernen. Hierdurch wird jegliches unerwartetes Anfahren durch unbeabsichtigte Berührung des Gashebels vermieden.

2. Stellen Sie sich neben Ihr Elektromobil.
3. Entriegeln Sie den Sitzverschluss unter dem Sitz und drehen Sie die Sitzfläche zu sich.
4. Auf ein sicheres Einrasten des Sitzes achten.
5. Setzen Sie sich bequem und sicher auf den Sitz.
6. Entriegeln Sie den Sitzverschluss und drehen sie die Sitzfläche in Fahrtrichtung.
7. Auf ein sicheres Einrasten des Sitzes achten.
8. Stellen Sie Ihre Füße sicher auf den Boden des Elektromobils.

FAHRBEREITSCHAFT HERSTELLEN

- Ist Ihr Sitz in der richtigen Höhe? Siehe V. „Individuelle Anpassung.“
- Ist der Sitz richtig eingerastet?
- Ist der Lenker in einer für Sie bequemen Stellung ausgerichtet und richtig arretiert? Siehe V. „Individuelle Anpassung.“
- Ist der Schlüssel richtig in dem Schlüsselschalter eingesteckt?
- Funktioniert die Hupe?
- Haben Sie freie Fahrt?
- Haben Sie Ihre Fahrt so geplant, um ungünstige Oberflächen und so viel Steigungen wie möglich zu vermeiden?

BETRIEB IHRES ELEKTROMOBILS



WARNUNG! Das folgende kann einen negativen Einfluss auf die Lenkbarkeit und Stabilität während des Betriebes Ihres Elektromobils haben:

- Festhalten oder festbinden der Leine Ihres Haustieres, wenn Sie mit ihm Gassi gehen.
- Transport von Mitfahrern (einschließlich Haustieren).
- Anhängen jeglicher Gegenstände am Lenker.
- Abschleppen oder von einem anderen motorisierten Fahrzeug geschoben werden.

WARNUNG! Halten Sie jederzeit während der Fahrt beide Hände an der Lenkkonsole und Ihre Füße auf dem Trittbrett. Diese Fahrposition erlaubt Ihnen die bestmögliche Kontrolle über Ihr Fahrzeug.

- Geschwindigkeitsvorwahlschalter auf die von Ihnen gewünschte Geschwindigkeit stellen.
- Drücken Sie die entsprechende Seite des Geschwindigkeitsvorwahlschalters.
- Die elektromechanische Parkbremse wird automatisch ausgekuppelt und Ihr Elektromobil wird zügig auf die von Ihnen mit dem Vorwahlschalter vorgewählte Geschwindigkeit beschleunigt.
- Um links zu fahren, ziehen Sie an dem linken Lenkergriff.
- Um rechts zu fahren, ziehen Sie an dem rechten Lenkergriff.
- Um geradeaus zu fahren, stellen Sie den Lenker in die Mitte.
- Um die Geschwindigkeit zu verringern und zum Stillstand zu kommen, den Gashebel loslassen. Beim Stillstand schalten sich die elektromechanischen Bremsen automatisch ein.

IV. HANDHABUNG

ANMERKUNG: Die Rückwärtsgeschwindigkeit Ihres Elektromobils ist langsamer als die jeweils eingestellte Vorwärtsgeschwindigkeit.

DAS ABSTEIGEN

1. Ihr Elektromobil zum Stillstand bringen.
2. Schlüssel aus dem Schlüsselschalter entfernen.



WARNUNG! Versuchen Sie nie auf Ihr Elektromobil zu steigen ohne erst den Schlüssel aus dem Schlüsselschalter zu entfernen. Hierdurch wird jegliches unerwartetes Anfahren durch unbeabsichtigte Berührung des Gashebels vermieden.

3. Entriegeln Sie den Sitzverschluss und drehen Sie die Sitzfläche seitlich Ihres Elektromobils.
4. Achten Sie auf ein sicheres Einrasten des Sitzes.
5. Steigen Sie vorsichtig und sicher ab und stellen Sie sich neben Ihr Elektromobil.
6. Um bei der nächsten Fahrt ein leichtes Aufsteigen zu ermöglichen, den Sitz in dieser Stellung lassen.

ABSCHALTAUTOMATIK

Ihr Elektromobil ist mit einer energiesparenden Abschaltautomatik ausgerüstet, die konzipiert wurde, um die Batteriebensdauer Ihres Elektromobils zu gewährleisten. Sollten Sie versehentlich den Schlüssel in dem Schlüsselschalter stecken lassen und Ihr Elektromobil ungefähr 20 Minuten nicht benutzen, schaltet sich die Elektromobilsteuerung automatisch aus. Auch wenn die elektronische Steuerung durch die Abschaltautomatik ausser Betrieb gesetzt wird, brennen sämtliche vorher eingeschalteten Lichter weiter.

Sollte die Abschaltautomatik Ihr Elektromobil ausschalten, wird der Normalbetrieb durch die Ausführung der folgenden Schritte wiederhergestellt:

1. Schlüssel aus dem Schlüsselschalter entfernen.
2. Schlüssel wieder in dem Schlüsselschalter einstecken und Ihr Elektromobil einschalten.

V. INDIVIDUELLE ANPASSUNG

EINSTELLUNG DES LENKERWINKELS (Siehe Abb. 17)



WARNUNG! Vor der Einstellung des Lenkers den Schlüssel entfernen. Versuchen Sie niemals während der Fahrt den Lenker einzustellen.

HINWEIS: Um den Lenker vollständig abzusenken, müssen zunächst der Sitz und das Batteriepack entfernt werden. Entfernen Sie den Sitz, indem Sie ihn senkrecht nach oben aus dem Elektromobil ziehen.

SITZROTATION

Der Hebel zur Verstellung der Sitzrotation befindet sich an der rechten Seite des Sitzrahmens und fixiert den Sitz in den unterschiedlichen Positionen. **Siehe Abb. 18.**

1. Ziehen Sie am Sitzhebel, um den Sitz zu entriegeln.
2. Drehen Sie den Sitz in die gewünschte Position.
3. Lassen Sie den Hebel wieder los, um den Sitz in dieser Position zu sichern.

EINSTELLUNG DER ARMLEHNENWEITE

Der Abstand der Armlehnen kann nach innen oder nach aussen eingestellt werden.

1. Lösen Sie die Armlehneinstellhebel. **Siehe Abb. 18.**
2. Entfernen Sie die Sicherungsstifte.
3. Schieben Sie die Armlehnen nach innen oder aussen in den gewünschten Abstand.
4. Richten Sie die Einstelllöcher des Sitzrahmens und der Armlehnen aus und stecken den Sicherungsstift wieder ein.
5. Ziehen Sie den Armlehneinstellhebel wieder fest.

HINWEIS: Um das Auf- und Absteigen zu erleichtern, können die Armlehnen auch nach oben geschwenkt werden.

EINSTELLUNG DER SITZHÖHE

Der Sitz kann in verschiedenen Höhenstellungen eingestellt werden. **Siehe Abb. 19.**

1. Sitz und batteriepack aus dem Elektromobil heben.
2. Durch das Ziehen des vorhandenen Rings, Sperrstift von der unteren Sitzstütze entfernen.
3. Obere Sitzstütze auf die gewünschte Höhe heben oder senken.
4. Obere Sitzstütze in der gewünschten Höhe halten und die Führungslöcher in den oberen und unteren Sitzstützen vergleichen.
5. Sperrstift wieder ganz einstecken.
6. Sitz und batteriepack wieder einbauen.

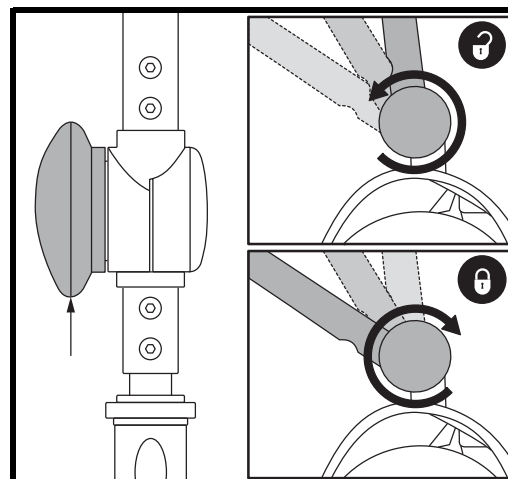


Abb. 17. Lenkersicherungshebel

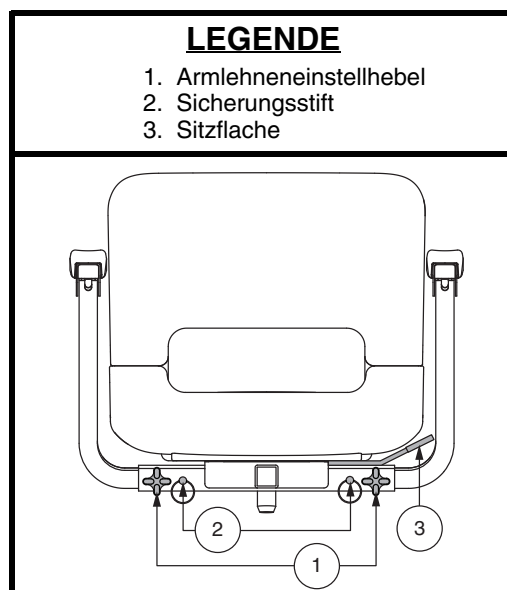


Abb. 18. Sitzeinstellungen

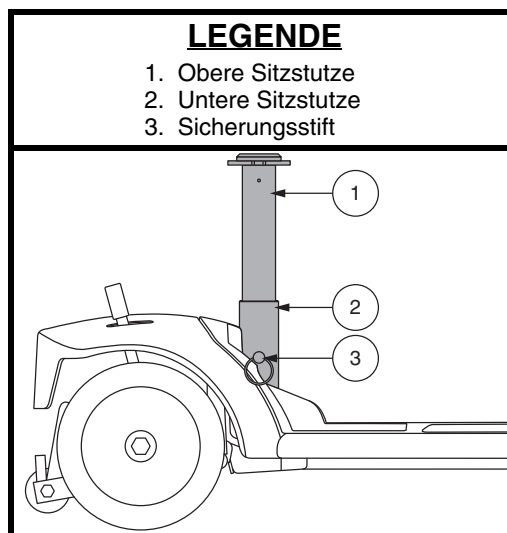


Abb. 19. Einstellung der Sitzhöhe

V. INDIVIDUELLE ANPASSUNG

EINSTELLEN DER SITZFEDERUNG (FALLS VORHANDEN)

Die Sitzstütze dient als Stoßdämpfer und kann für verschiedene Fahrkomfortstufen angepasst werden. Als Orientierungshilfe beim Einstellen dienen die Einstellschrauben, die durch das Einstellfenster an der Seite der Stütze sichtbar sind. Schieben Sie die Gummimanschette zum oberen Ende der Stütze, so dass die Einstellschrauben nicht verdeckt werden. **Siehe Abb. 20.**

So stellen Sie die Sitzstütze ein:

1. Nehmen Sie den Sitz vom Elektromobil ab.
2. Entfernen Sie die obere Sitzstütze vom Elektromobil, indem Sie den Sicherungsstift aus dem unteren Teil der Sitzstütze nehmen. Ziehen Sie die Stütze dann senkrecht nach oben aus dem Elektromobil. **Siehe Abb. 19.**
3. Stecken Sie einen 13-mm-Steckschlüssel mit Verlängerung in die Unterseite der Stütze. **Siehe Abb. 20.**
4. Für eine weichere Federung im Uhrzeigersinn drehen und für eine härtere Federung entgegen dem Uhrzeigersinn.
5. Bringen Sie Sitzstütze und Sitz wieder an.

RÜCKHALTEGURTE (FAKULTATIV)

Ihr Elektromobil ist mit einem KFZ-typischen Rückhalteturk ausgestattet, der dem Benutzer angepaßt werden kann. **Siehe Abb. 21.** Der Rückhalteturk wurde konzipiert, um ein Auf- oder Abwärtsrutschen des Fahrers zu verhindern. Der Rückhalteturk ist nicht als Rückhaltesystem entwickelt worden.



WARNUNG! Den Rückhalteturk stets sichern. Lassen Sie den Rückhalteturk niemals herunterhängen oder am Boden schleifen, da er sich sonst an anderen Objekten verfangen könnte.

Um den Rückhalteturk einzubauen (falls erforderlich):

1. Sitz abmontieren.
2. Sitz umdrehen, um die Unterseite einzusehen. **Siehe Abb. 21.**
3. Die zwei Schrauben am äußersten Teil des Sitzbefestigungsriemens lösen und entfernen.
4. Auf beiden Seiten des Sitzes je eine Schraube durch das entsprechende Ende des Rückhalteturkes und dann wieder durch den Sitzbefestigungsriemen stecken.
5. Schrauben wieder festziehen.

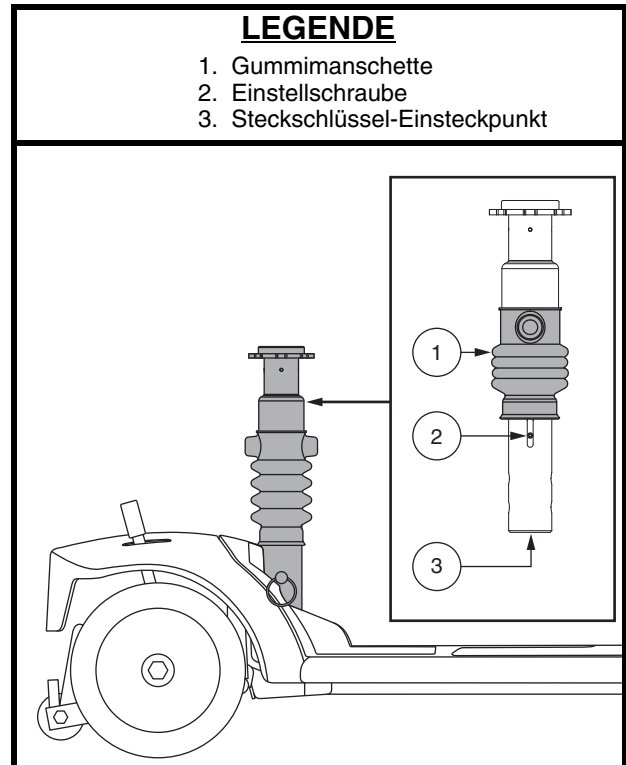


Abb. 20. Einstellen der Sitzfederung

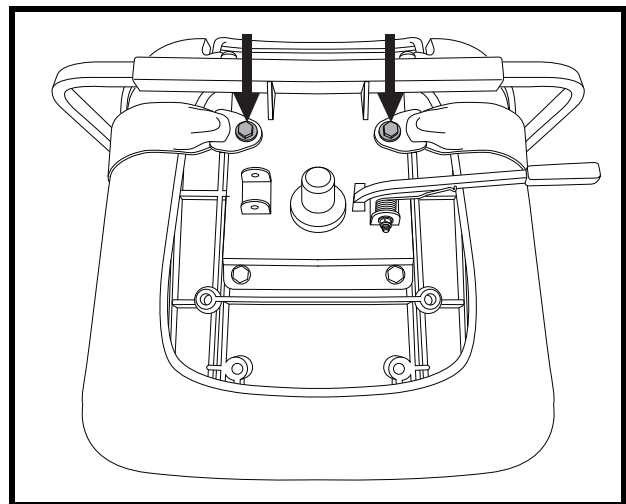


Abb. 21. Befestigungsschrauben des Rückhalteturkes

V. INDIVIDUELLE ANPASSUNG

Rückhaltegurt mit Schloss

Um den Rückhaltegurt anzupassen:

1. Schloßzunge in das Schloßteil stecken, bis der Schnellverschluß hörbar einrastet. **Siehe Abb. 22.**
2. Das Gurtband auf der rechten Seite bis auf die gewünschte Weite ziehen. Der Gurt soll stramm gezogen aber bequem sein.

So lösen Sie den Rückhaltegurt:

1. Drücken Sie den Druckknopf des Kunststoffgehäuses.

Rückhaltegurt mit Klettverschluss

Um den Rückhaltegurt anzupassen:

1. Führen Sie die beiden Enden des Gurts zusammen, so dass die eine Seite des Klettverschlusses, an der sich die Schlaufen befinden, direkt über der raueren Seite mit den Widerhaken liegt. Zum Sichern fest zusammendrücken. **Siehe Abb. 23.**

So lösen Sie den Rückhaltegurt:

1. Ziehen Sie das Gurtende, an dem sich die Klettverschluss-Schlaufen befinden, nach oben, um es vom anderen Ende zu lösen.

WICHTIG! Stellen Sie sicher, dass der Rückhaltegurt ordnungsgemäß am Elektromobilbefestigt und für den Benutzer angepasst wurde.



WICHTIG! Untersuchen Sie den Rückhaltegurt vor jeder Benutzung des Elektromobils auf lose Teile oder Schäden, z. B. Risse, abgenutzte Stellen, verbogene Teile, beschädigte Verschlüsse, Schmutz oder Fremdkörper. Wenn Sie ein Problem feststellen, wenden Sie sich für die Ausbesserung oder Reparatur an Ihren Vertragshändler.

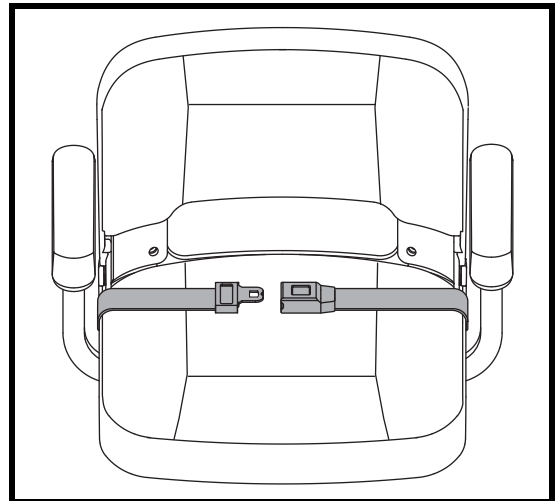


Abb. 22. Rückhaltegurte - Rückhaltegurt mit Schloß

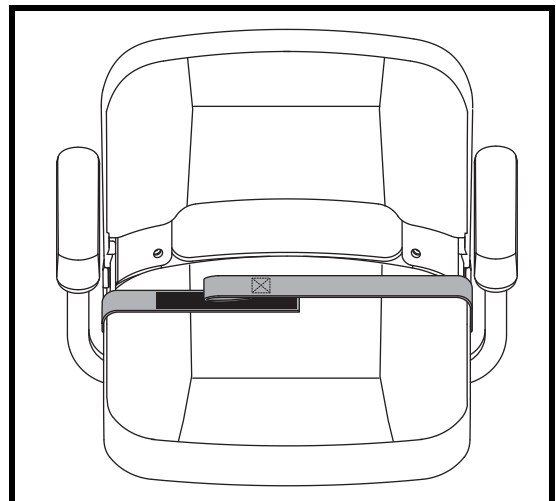


Abb. 23. Rückhaltegurte - Rückhaltegurt mit Klettverschluss

VI. ZERLEGEN UND ZUSAMMENBAUEN

ZERLEGEN

Sie können Ihr Elektromobil in sieben Baugruppen zerlegen: den Sitz, das Heckteil, das Vorderteil, den Korb, das Batteriepack, und die Heckteilabdeckung, (Nur Modelle 83 und 84). **Siehe Abb. 24.** Für den Zusammenbau oder die Demontage sind keine Werkzeuge notwendig, aber denken Sie daran, dass die auseinander gebauten Baugruppen mehr Platz auf dem Fußboden benötigen, als im zusammengebauten Zustand. Demontieren oder montieren Sie Ihr Elektromobil nur auf einer ebenen, trockenen Unterlage mit genügend Raum für die Arbeit mit ungefähr 1,5 meters (5 feet) Freiraum, um das Elektromobil herum in alle Richtungen. Vergessen Sie nicht, dass einige Baugruppen schwer sind und Sie Hilfe benötigen könnten, wenn Sie sie anheben.



WARNUNG! Das Heben von Gewichten über Ihr Leistungsvermögen hinaus kann zu Verletzungen führen. Falls erforderlich, holen Sie bei der Zerlegung Ihres Elektromobils Hilfe.

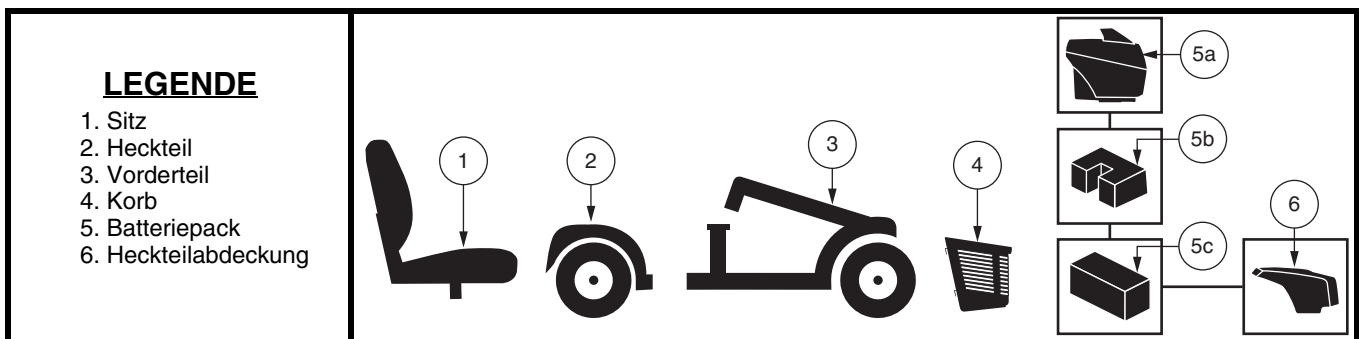


Abb. 24. Elektromobil Komponenten

Vorgehensweise zur Zusammenbauen - Modelle 36, 83, und 84

1. Schlüssel aus dem Schlüsselschalter entfernen.
2. Justieren Sie den Lenker in eine gerade Position, indem Sie den Lenkersicherungshebel eindrücken und gleichzeitig 90° im Uhrzeigersinn drehen. **Siehe Abb. 25.** Das Vorderrad muß nach vorne gerichtet sein, um den Lenker festzustellen.
3. Entfernen Sie den Sitz, indem Sie ihn gerade nach oben vom Elektromobil abziehen. Wenn sie beim Abziehen einen Widerstand verspüren, lösen Sie den Sitzrotationshebel und drehen den Sitz während des Anhebens vor und zurück.
4. Ziehen Sie die Batteriehaube vorsichtig hoch und vom Elektromobil weg. (Nur Modelle 83 und 84).
5. Trennen Sie das Batteriekabel ab. **Siehe Abb. 16.**
6. Trennen Sie das Zentralverbindungskabel ab. **Siehe Abb. 16.**
7. Entfernen Sie den Batterie Haltegurt. (Nur Modelle 83 und 84). **Siehe Abb. 16.**
8. Entfernen Sie das Batteriepack von Ihrem Elektromobil, indem Sie es senkrecht nach oben herausheben.

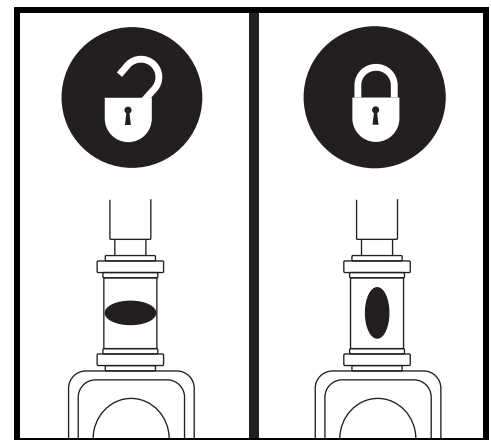


Abb. 25. Lenkersicherungshebel

VI. ZERLEGEN UND ZUSAMMENBAUEN

Vorgehensweise zur Zerlegung - Modelle 40X, 44X, 40E, 44E, 40LX, 44LX, 50LX, 54LX, 53, 53HD, 54, 54HD, 73 und 74

1. Schlüssel aus dem Schlüsselschalter entfernen und Justieren Sie den Lenker in eine gerade Position, indem Sie den Lenkersicherungshebel eindrücken und gleichzeitig 90° im Uhrzeigersinn drehen. **Siehe Abb. 25.** Das Vorderrad muß nach vorne gerichtet sein, um den Lenker festzustellen.
2. Entfernen Sie den Sitz, indem Sie ihn gerade nach oben vom Elektromobil abziehen. Wenn sie beim Abziehen einen Widerstand verspüren, lösen Sie den Sitzrotationshebel und drehen den Sitz während des Anhebens vor und zurück.
3. Entfernen Sie das Batteriepack von Ihrem Elektromobil.

HINWEIS: Bitte überprüfen Sie anhand der Elektromobil-Ausstattungstabelle auf der Seite 92, ob Ihr Elektromobil über einen Rahmenverriegelungshebel oder einen Verschlussstift verfügt, bevor Sie versuchen, den Rahmen zu zerlegen.

Trennung der Rahmenteile

1. Entfernen Sie den Sitz und das Batteriepack (siehe „Vorgehensweise zur Zerlegung“ auf der vorherigen Seite), senken den Lenker ab und ziehen den Lenkersicherungshebel an. **Siehe Abb. 17.**
2. Entfernen Sie den Rahmenverschluss. (Nur Modelle 83 und 84).
3. Ziehen Sie solange an dem Rahmenverriegelungshebel, (**ODER, das Hinterteil am der Sitzstütze anheben für modelle 36, 83 und 84**) und nach hinten drehen, bis die Rahmenhaken nicht mehr auf der unteren Rahmenstange aufliegen.
4. Trennen Sie vorsichtig die beiden Teile. **Siehe Abb. 26.**

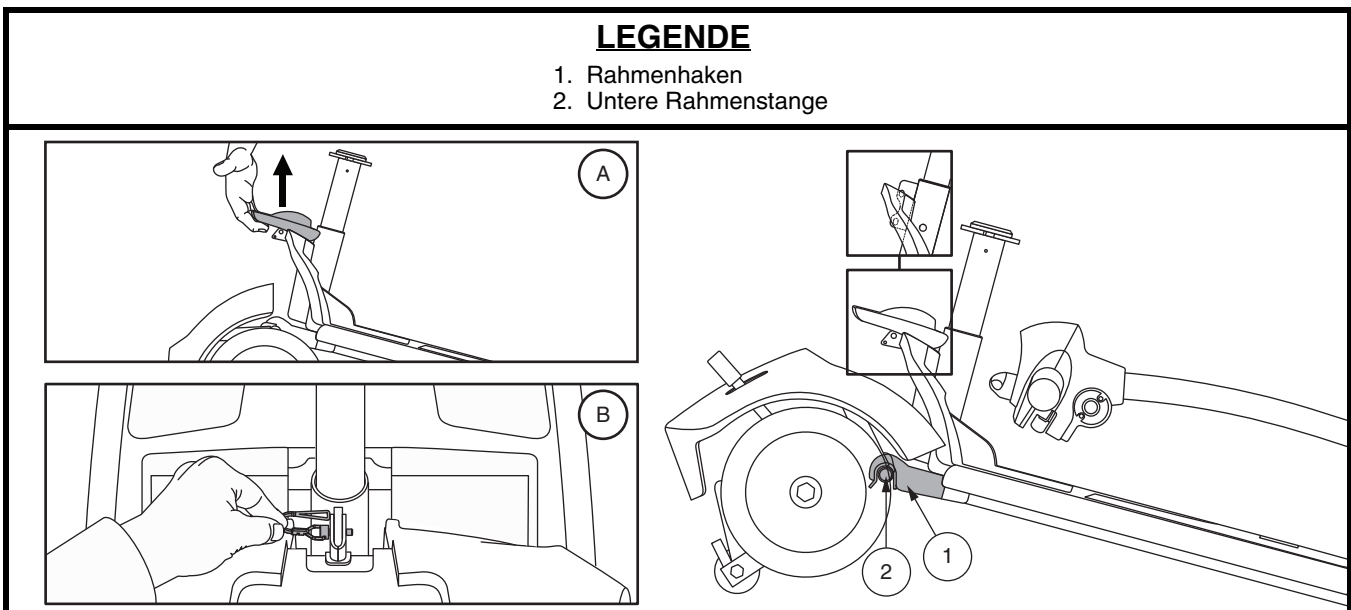


Abb. 26. Rahmenverriegelungshebel (Stil A) and Rahmenverschluss (Stil B)

VI. ZERLEGEN UND ZUSAMMENBAUEN

ZUSAMMENBAU

HINWEIS: *Kippen Sie den hinteren Teil des Elektromobils vor dem Zusammenbau etwas nach hinten auf die Stützräder, wie in Abb. 26 gezeigt.*

1. Benutzen Vorderteils den Rahmenverriegelungshebel (oder das Hinterteil an der Sitzstütze anheben für Modelle 36, 83 und 84) Sie zum Anheben und richten Sie die Rahmenhaken des Vorderteils an der unteren Rahmenstange des Heckteils aus. **Siehe Abb. 26.**
2. Wenn sich die Rahmenhaken über der unteren Rahmenstange befinden, senken Sie das Vorderteil ab und drehen gleichzeitig das Heckteil. Bei den Modellen 40X, 44X, 40E, 44E, 40LX, 44LX, 50LX, 54LX, 53, 53HD, 54, 54HD, 73 und 74 greift dadurch automatisch die Rahmenverriegelung. Bei den Modellen 36, 83 und 84 müssen Sie zum Abschluss der Rahmenmontage außerdem den Rahmenverschlussstift wieder anbringen. **Siehe Abb. 26.**
3. Den Hebel anheben und fest den Lenkersicherungshebel drücken. **Siehe Abb. 17.**
4. Batteriepack wieder einbauen. Achten Sie bei den Modellen 36, 83 und 84 darauf, das Batterie- und Zentralverbindungskabel wieder anzuschließen.
5. Sitz wieder einbauen, bis er durch Drehen in der richtigen Position eingerastet ist.
6. Entsichern Sie das Vorderrad, indem Sie den Lenkersicherungshebel 90° gegen den Uhrzeigersinn drehen. **Siehe Abb. 25.**



WARNUNG! Nach dem Zusammenbau und der anschließenden Benutzung vergewissern Sie sich genau, dass sich der Lenkersicherungshebel in der entsicherten Position befindet.

VII. FEHLERSUCHE

Bei jedem elektromechanischen Gerät muss gelegentlich eine Fehlersuche durchgeführt werden. Dennoch, durch Nachdenken und mit gesundem Menschenverstand können viele der auftretenden Probleme behoben werden. Viele Probleme werden durch entladene oder fehlerhafte Batterien verursacht.

DIAGNOSTISCHE PIEPCODES

Die diagnostischen Piepcodes für Ihr Elektromobil wurden entwickelt Ihnen zu helfen, Fehlersuche schnell und einfach durchzuführen. Ein diagnostischer Piepcode ertönt sollte sich eine der nachstehenden Konditionen entwickeln. Je nach Ihrem Modell verwendet Ihr Elektromobil zur Mitteilung von Fehlercodes eines der folgenden Kommunikationsverfahren:

1. Piepcodes beginnen mit einer schnellen Pieptonfolge, auf die langsamere Pieptöne folgen, welche den eigentlichen Fehlercode angeben. Der Piepcode wird nur einmal ausgegeben. Um den Piepcode wiederholen zu lassen, ziehen Sie den Schlüssel ab, stecken ihn wieder ein und drehen ihn in die eingeschaltete Position; **ODER**
2. Ein Piepcode zur Angabe des Fehlers wird ausgegeben, und nach einer Pause wird dieser Piepcode wiederholt. Der Piepcode wird auf diese Weise wiederholt, bis Sie das Elektromobil ausschalten.

HINWEIS: *Bevor Ihr Elektromobil wieder in Betrieb genommen werden kann, muss der Fehlerzustand erst behoben und Ihr Elektromobil erst aus- und eingeschaltet werden.*

PIEPCODE	FEHLERZUSTAND	LÖSUNG
■ (1)	Batterieladung niedrig.	Batterien aufladen.
■ ■ (2)	Batterieladung zu niedrig, um das Elektromobil zu betreiben.	Batterien aufladen.
■ ■ ■ (3)	Die Batteriespannung ist zu hoch, um das Elektromobil zu betreiben oder das Ladegerät ist ange schlossen.	Stecken sie den Schlüssel in den Schlüsselschalter, stellen Sie die Elektromobilscheinwerfer an, um die Batterien zu entladen.
■ ■ ■ ■ (4)	Spannungsgrenze Zeitsperre überschritten.	Schalten Sie das Elektromobil für einige Minuten aus, dann starten Sie das Elektromobil wieder.
■ ■ ■ ■ ■ (5)	Der manuelle Freilaufhebel ist in der Freilaufposition.	Ziehen Sie den Schlüssel aus dem Schlüsselschalter, drücken Sie den Freilaufhebel in die Fahrposition und starten Sie das Elektromobil wieder.
■ ■ ■ ■ ■ ■ (6)	Der Gashebel ist nicht in der Starstellung beim Anlassen.	Prüfen Sie, ob die Batterien vollständig geladen sind. Wenn die Batterien vollständig geladen sind, ziehen Sie den Fahrhebel in die Mittelstellung und schalten das Elektromobil dann aus und wieder ein.
■ ■ ■ ■ ■ ■ ■ (7)	Geschwindigkeitspotentiometer fehlerhaft.	Wenden Sie sich für Unterstützung an Ihren autorisierten Fachhändler.
■ ■ ■ ■ ■ ■ ■ ■ (8)	Motorspannung fehlerhaft.	Wenden Sie sich für Unterstützung an Ihren autorisierten Fachhändler.
■ ■ ■ ■ ■ ■ ■ ■ ■ (9)	Andere internal Fehler.	Wenden Sie sich für Unterstützung an Ihren autorisierten Fachhändler.

VII. FEHLERSUCHE

Beim Gasgeben fährt das Elektromobil nicht, was kann das sein?

- Ist der manuelle Freilaufhebel nach oben gezogen, sind die Bremsen Ihres Elektromobils sowie die Stromzufuhr zum Motor/Differentialgetriebe abgeschaltet.
- Manueller Freilaufhebel nach unten drücken, dann das Elektromobil ausschalten und wieder einschalten um den Normalbetrieb wiederherzustellen.

Was ist, wenn alle Systeme meines Elektromobils 'tot' zu sein scheinen?

- Kontrollieren Sie, ob der Schlüssel in der Einschaltposition gedreht worden ist.
- Batterien auf Vollladung kontrollieren.
- Hauptsicherungsschalter drücken. Siehe II. „Ihr Elektromobil.“
- Stellen Sie sicher, daß beide Batteriepacks ordnungsgemäß verstaut sind.
- Stellen Sie sicher, dass das Batterie- und Zentralverbindungskabel ordnungsgemäß angeschlossen sind. (Nur Modelle 36, 83 und 84.)
- Vergewissern Sie sich, dass der Stromsparmodus nicht eingeschaltet ist. Siehe IV. „Handhabung.“
- Überprüfen Sie die Lenkerkonsolensicherung, die sich unter dem Batteriepack befindet.

Eine Sicherung ist durchgebrannt:

1. Sicherung herausziehen.
2. Sicherung auf Durchbrennen überprüfen. **Siehe Abb. 27.**
3. Eine neue Sicherung mit dem richtigen Nennwert einsetzen.



WARNUNG! Der Wert der ersetzten Sicherung muss genau dem Wert der neuen Sicherung entsprechen. Bei Missachtung der richtigen Werte kann es das elektrische System beschädigen.

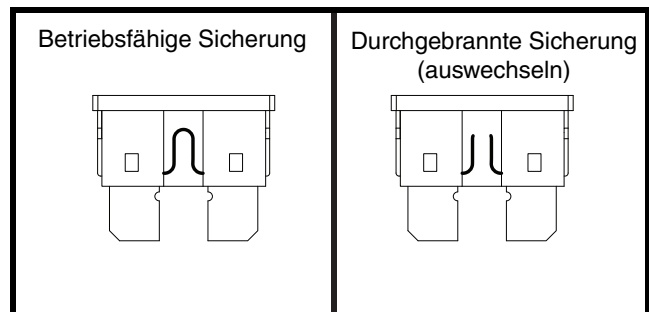


Abb. 27. Wechseln der Sicherung

Was ist, wenn sich die Batterien nicht aufladen lassen?

- Überprüfen Sie die Sicherung am Batteriepack oder die Konsole. Ersetzen Sie sie falls notwendig.
- Wenn während des Ladevorganges die LED Batterieanzeige nie den vollen Ladezustand anzeigt, überprüfen Sie die Sicherung am Batteriepack oder die Konsole. Ersetzen Sie sie, falls notwendig, oder lassen die Sicherung durch Ihren Vertragshändler oder einen Fachelektriker überprüfen bzw. austauschen.
- Vergewissern Sie sich, dass beide Enden des Ladekabels, vollständig eingesetzt sind.
- Wenn die Sicherung des Batteriepacks ständig auslöst, wenden Sie sich zwecks Service bitte an Ihren autorisierten Fachhändler.

VII. FEHLERSUCHE

Die Hauptsicherung löst sich mehrmals aus, was kann ich tun?

- Wenn der Hauptunterbrechungsschalter wiederholt ausgelöst wird, wenden Sie sich zur Reparatur an Ihren Händler.
- Die Batterien öfter aufladen. Siehe III. „Batterien und Aufladung.“
- Beim wiederholten Auslösen der Sicherung einen Batterieladungstest von Ihrem autorisierten Fachhändler auf beiden Batterien durchführen lassen.
- Sie haben auch die Möglichkeit, selbst einen Batterieladungstest durchzuführen. Batterieladungstestgeräte sind bei den meisten Autozubehörhändlern erhältlich.
- Befolgen Sie die mitgelieferten Anweisungen.
- Informationen zum Batterietyp Ihres Elektromobils finden Sie in Abschnitt III., „Batterien und Aufladung.“, oder im „Produktdatenblatt“.

Beim Gasgeben fällt der Batterieanzeiger schlagartig ab und der Motor läuft unruhig, woran liegt das?

- Batterien voll aufladen. Siehe III. „Batterien und Aufladung.“
- Lassen Sie von Ihrem autorisierten Fachhändler einen Ladungstest jeglicher Batterien durchführen.
- Bzw. wie in der vorigen Frage erwähnt, haben Sie selbst die Möglichkeit einen Batterieladungstest durchführen.

Sollten Sie mit Ihrem Elektromobil Probleme haben, die Sie allein nicht lösen können, wenden Sie sich zwecks Informationen, Wartung und Service an Ihren autorisierten Fachhändler.

VIII. PFLEGE UND WARTUNG

Ihr Elektromobil benötigt ein Minimum an Pflege und Wartung. Sollten Sie sich nicht in der Lage fühlen, die unten aufgeführten Wartungsmaßnahmen selbst durchzuführen, können Sie die Inspektion und Wartung mit unserem Serviceteam einplanen. Die folgenden Teile benötigen eine regelmäßige Inspektion und /oder Pflege und Wartung.

LUFTDRUCK

Überprüfen Sie regelmäßig die Reifen Ihres Elektromobils auf Zeichen der Abnutzung oder Schaden.

RÄDER AUSWECHSELN

Ihr Elektromobil mit einem Vollgummireifeneinsatz ausgestattet ist. Müssen Sie die gesamte Radbaugruppe ersetzen. Ersatzschläuche und Radbaugruppen sind über Ihren Vertragslieferanten schnell zu erhalten.



WARNUNG! Die Räder an Ihrem Elektromobil sollten nur von einem Vertragslieferanten oder einem qualifizierten Techniker gewartet oder ausgewechselt werden.

WARNUNG! Vergewissern Sie sich vor Durchführung dieses Verfahrens, dass die Steuerung ausgeschaltet ist und das Elektromobil sich nicht im Freilaufmodus befindet.

Folgen Sie diesen einfachen Schritten für eine schnelle und sichere Reparatur von Vollgummireifen:

1. Nehmen Sie den Schlüssel aus dem Schlüsselschalter und stellen sicher, dass sich das Elektromobil nicht im Freilaufmodus befindet.
2. Erhöhen Sie die Seite des Elektromobils von welcher Sie den Reifen entfernen. Legen Sie-Holtzklötze unter den Rahmen um das Elektromobil zu erhöhen.
3. Entfernen Sie die Schraubenmutter und Unterlegscheibe des Antriebsrades von der Radnabe. **Siehe Abb. 28.**
4. Ziehen Sie das Rad von der Achse.
5. Schieben Sie das neue Rad wieder über die Radachse. Versichern Sie sich, dass der Achsenschlüssel in seinem Schlüsselplatz ist.



WARNUNG! Versichern Sie sich, dass der Achsenschlüssel in seinem Schlüsselplatz ist. Andernfalls ist das Bremssystem außer Kraft gesetzt, was zu Verletzungen und/oder Schäden am Produkt führen kann.

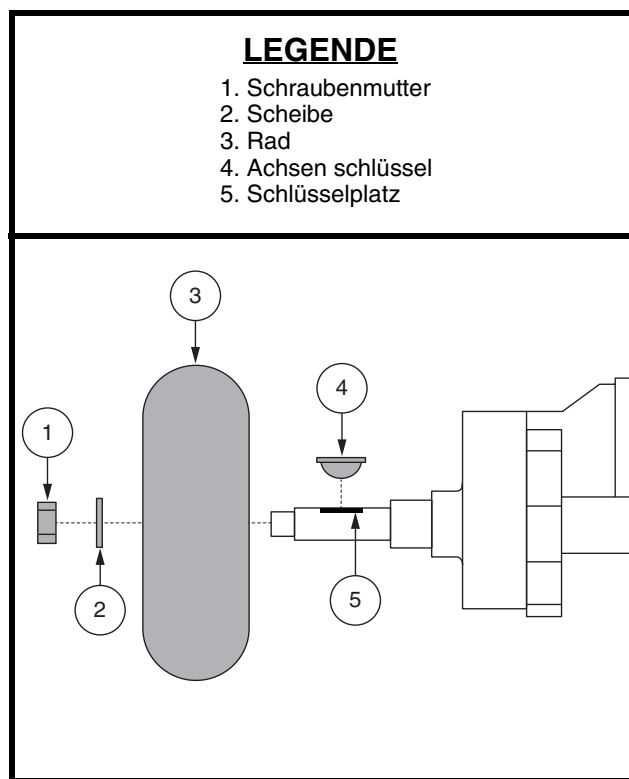


Abb. 28. Reifenradenthebung

6. Schrauben Sie die Schraubenmutter und Unterlegscheibe wieder fest.



WARNUNG! Stellen Sie sicher, dass sowohl die Mutter als auch die Unterlegscheibe fest installiert und gesichert sind.

7. Entfernen Sie den Holzblock unter dem Elektromobil.

VIII. PFLEGE UND WARTUNG

AUßENBEREICH

Stoßdämpfer und Reifen profitieren von gelegentlichem Auftragen eines Gummi- oder Vinylpflegemittels.



WARNUNG! Verwenden Sie keine Gummi- oder Vinylpflegemittel für die Sitzfläche oder Reifenprofile Ihres Elektromobils. Sie könnten gefährlich rutschig werden.

REINIGUNG UND DESINFIZIEREN

- Verwenden Sie ein feuchtes Tuch und ein mildes, nicht scheuerndes Reinigungsmittel, um die Plastikund Metallteile Ihres Elektromobils zu reinigen. Vermeiden Sie, Produkte zu benutzen, welche die Oberfläche Ihres Elektromobils zerkratzen können.
- Wenn notwendig, reinigen Sie Ihr Produkt mit einem zugelassenen Desinfektionsmittel. Vergewissern Sie sich vor der Anwendung, dass das Desinfektionsmittel sicher für den Gebrauch an Ihrem Produkt ist.



WARNUNG! Befolgen Sie alle Sicherheitsanweisungen für den ordnungsgemäßen Gebrauch des Desinfektionsmittels und/oder Reinigungsmittels, bevor Sie es an Ihrem Produkt verwenden. Wird dies nicht befolgt, kann das zu Hautirritationen oder vorzeitiger Verschlechterung der Polsterung und/oder des Aussehens Ihres Elektromobils führen.

BATTERIEPOLE UND STECKER

Batterieanschlüsse auf festen Sitz kontrollieren und auf Korrosion achten.

KABEL

- Alle Kabelanschlüsse regelmäßig überprüfen.
- Überprüfen Sie regelmäßig alle Kabelverbindungen und Isolierungen, einschließlich des Ladekabels, auf Gebrauchsspuren und Beschädigungen.
- Lassen Sie alle beschädigten Anschlüsse, Verbindungen oder Isolierungen von Ihrem autorisierten Servicetechniker reparieren oder austauschen, bevor Sie Ihr Elektromobil in Betrieb nehmen.



VERBOTEN! Obwohl das Elektromobil die geforderten Testanforderungen gegen Wassereindringen bestanden hat, sollten Sie elektrische Komponenten von Feuchtigkeitsquellen fernhalten. Dies schließt ein, dass sie nicht direkt Wasser oder Körperflüssigkeiten und Inkontinenz ausgesetzt werden sollten. Elektrische Komponenten häufig auf Anzeichen von Korrosion überprüfen und bei Bedarf auswechseln.



WARNUNG! Ziehen Sie niemals direkt an einem Stromkabel, um es vom Elektromobil zu trennen. Halten Sie zum Trennen des Kabels stattdessen den Stecker. Dadurch wird eine Beschädigung der Drähte vermieden.

ABS KUNSTSTOFFABDECKUNGEN

Die vordere Lenkerabdeckung, Vorderteilabdeckung und Heckteilabdeckung sind aus beständigem Kunststoff und mit hochentwickelter Urethanfarbe beschichtet. Um den Glanz der Abdeckungen zu erhalten, tragen Sie eine dünne Schicht Autopolitur auf.

ACHSENLAGER, ANTRIEBSBAUGRUPPE

Schmieren ist nicht notwendig, da diese Teile ab Werk geschmiert und abgedichtet sind.

KOHLEBÜRSTEN

Die Kohlebürsten befinden sich in der Antriebsbaugruppe. Lassen Sie die Kohlebürsten regelmäßig von Ihren Fachhändler auf Abnutzung überprüfen.

VIII. PFLEGE UND WARTUNG

KONSOLE UND HECKELEKTRONIK

- Diese Teile dürfen keiner Feuchtigkeit ausgesetzt werden.
- Wird ein Teil dennoch der Feuchtigkeit ausgesetzt, darf dieses erst nach vollständigem Trocknen wieder in Betrieb genommen werden.

AUSTAUSCH NYLON SICHERUNGSEINSÄTZE

Jede Nylon Sicherungsmutter, die während der regelmäßig durchgeführten Wartung, Zusammenbau oder Demontage entnommen wird, muss danach durch eine neue ersetzt werden. Nylon Sicherungsmuttern sollten nicht wieder verwendet werden, da der Nyloneinsatz beschädigt sein könnte, was daraufhin zu einer weniger sicheren Verbindung führen kann. Ersatzmutter aus Nylon sind in den örtlichen Bauhäusern zu kaufen oder durch Ihren autorisierten Fachhändler zu beziehen.

LAGERUNG IHRES ELEKTROMOBILS

Wird Ihr Elektromobil für einen längeren Zeitraum nicht benutzt, sollten Sie:

- Vor dem Einlagern die Batterien voll aufladen.
- Entfernen Sie die Batterie aus Ihrem Elektromobil.
- Ihr Elektromobil in einer warmen und trockenen Umgebung einlagern.
- Ihr Elektromobil keinen extremen Temperaturen aussetzen.
- Empfohlene Lagerungstemperatur: -75°C/-104°F bis 70°C/158°F.

Regelmäßig und tief entladene, selten aufgeladene, in extremen Temperaturen gelagerte oder mit nicht vollständiger Ladung gelagerte Batterien verursachen unzuverlässige Leistung und eine beschränkte Lebensdauer. Wir empfehlen, dass Sie die Batterien während längerer Lagerungszeiten regelmäßig aufladen, um eine ordnungsgemäße Leistung sicherzustellen.



WARNUNG! Vermeiden Sie Umgebungsbedingungen unter Null(0) Grad und laden Sie die Batterien nie im gefrorenen Zustand. Das kann die Batterie beschädigen.

Sie sollten eventuell mehrere Bretter unter dem Rahmen Ihres Elektromobil platzieren, um ihn während längerer Lagerungszeiten vom Boden anzuheben. Dies nimmt das Gewicht von den Reifen und verringert die Wahrscheinlichkeit, dass sich dort, wo die Reifen den Boden berühren, abgeflachte Stellen entwickeln.

ENTSORGEN IHRES ELEKTROMOBILS

Ihr Elektromobil muss gemäß den geltenden örtlichen und nationalen gesetzlichen Bestimmungen entsorgt werden. Wenden Sie sich an Ihre örtliche Abfallentsorgung oder Ihren Vertragslieferanten wegen Informationen über die ordnungsgemäße Entsorgung der Verpackung des Elektromobils, der Metallrahmenkomponenten, Plastikkomponenten, Elektronik, Batterien, Neopren, Silikon und Polyurethan materialien.



MONTAGGIO



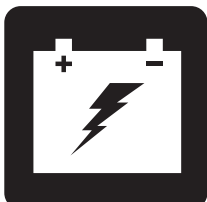
UTILIZZO



COMODITÀ



MANUTENZIONE



BATTERIE E RICARICA



TRAVEL SCOOTER SERIE

MANUALE PER L'UTENTE

TABELLA DELLE CARATTERISTICHE DI TRAVEL SCOOTER

Modello	Tipo di consolle				Tipo di pacco batteria			Batterie e ricarica		Tipo di chiusura del telaio		Opzioni *		
	A	B	C	D	A	B	C	Unità ON	Unità OFF	A (Leva di rilascio)	B (Perni di chiusura)	Sospensione reggisella	Luci	Modificabile pannelli scocca
36	•					•		•	•		•			
40X	•				•			•	•	•				
44X	•				•			•	•	•				
40E		•	•AU only		•			•	•	•				•
44E		•	•AU only		•			•	•	•				•
40LX				•	•			•	•	•		•	•	•
44LX				•	•			•	•	•		•	•	•
50LX				•	•			•	•	•			•	•
54LX				•	•			•	•	•			•	•
53			•		•			•	•	•				•
53HD			•		•			•	•	•				•
54			•		•			•	•	•		•		•
54HD			•		•			•	•	•				•
73				•	•			•	•	•		•	•	•
74				•	•			•	•	•		•	•	•
83		•						•			•			
84		•						•			•			

***NOTA:** le opzioni di Travel Scooter variano a seconda del paese. Contattare il proprio fornitore per definire quali opzioni siano disponibili per il proprio Travel Scooter.

NOTA: Prendere nota del numero di modello del proprio Travel Scooter, riportato nella scheda tecnica del prodotto nel pacchetto per l'utente. In tutto il manuale per l'utente, gli attributi di Travel Scooter sono identificati mediante il numero di modello (nella colonna di sinistra della tabella delle caratteristiche di Travel Scooter). La conoscenza del numero di modello dell'apparecchio aiuta a definire le caratteristiche esclusive dello specifico Travel Scooter.

PROGETTO DI IMPIEGO

Il progetto di impiego dell'ausilio è fornire la mobilità a coloro che sono bloccati in posizione seduta ma in grado di operare lo scooter.

NOTA: Il presente manuale per l'utente è redatto sulla base delle più recenti specifiche tecniche e delle informazioni del prodotto, disponibili al momento della pubblicazione. Si riserva il diritto di apportare modifiche qualora fossero necessarie. Qualsiasi modifica apportata ai nostri prodotti può generare lievi differenze tra le illustrazioni e le spiegazioni contenute nel presente manuale e il prodotto acquistato. La versione più recente del presente manuale è disponibile sul nostro sito web.

NOTA: Questo prodotto è conforme alle normative e prescrizioni WEEE, RoHS, e REACH.

NOTA: Questo prodotto soddisfa classificazione IPX4 (IEC 60529).

NOTA: Di Travel Scooter e le sue componenti sono stati fabbricati di lattice di gomma NON naturale. Per qualsiasi accessorio del mercato post-vendita si prega di consultare prima il produttore.



INDICE

DIRETTIVE PER LA SICUREZZA	126
I. SICUREZZA	127
II. IL TUO MINISCOOTER	129
III. BATTERIE E RICARICA	136
IV. UTILIZZO	142
V. REGOLAZIONI DI COMODITÀ	144
VI. SMONTAGGIO E MONTAGGIO	147
VII. RISOLUZIONE DEI PROBLEMI	149
VIII. CURA E MANUTENZIONE	152

DIRETTIVE PER LA SICUREZZA



AVVERTENZA! L'impostazione iniziale di questo scooter deve essere eseguita da un fornitore autorizzato o da un tecnico qualificato, che dovrà osservare tutte le procedure descritte nel presente manuale.

I simboli riportati di seguito vengono utilizzati nel presente manuale e sullo scooter per identificare avvertenze e informazioni importanti. È molto importante leggerli e comprenderli completamente.



AVVERTENZA! Indica una condizione/situazione potenzialmente pericolosa. La mancata osservanza delle procedure previste può provocare lesioni alle persone, danni ai componenti o malfunzionamento. Sul prodotto, questa icona è rappresentata da un simbolo nero in un triangolo giallo con bordo nero.



OBBLIGATORIO! Queste azioni devono essere eseguite come descritto. La mancata esecuzione delle procedure obbligatorie può provocare lesioni alle persone e/o danni alle apparecchiature. Sul prodotto, questa icona è rappresentata da un simbolo bianco in un punto nero con bordo bianco.



PROIBITO! Queste azioni sono proibite. Non devono mai essere eseguite e per nessun motivo. L'esecuzione di un'azione proibita può causare lesioni personali e/o danni alle apparecchiature. Sul prodotto, questa icona è rappresentata da un simbolo nero con un cerchio rosso e una riga rossa.

I. SICUREZZA

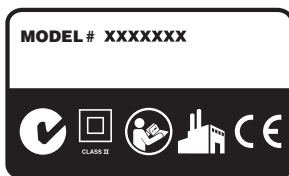
SIMBOLI DI SICUREZZA DEL PRODOTTO

I simboli in basso sono utilizzati sul prodotto per identificare le avvertenze, le attenzioni e le azioni proibite. È molto importante leggere e comprendere a fondo i simboli riportati.

NOTA: La guida per la sicurezza del cliente allegata al Travel Scooter riporta e illustra diverse avvertenze. Prendere nota di tutte le avvertenze e informazioni di sicurezza riportate nella guida per la sicurezza del cliente e consultare spesso questa risorsa.



Leggere e seguire le informazioni contenute nel manuale per l'utente.



Etichetta informativa.



Caricare completamente le batterie prima dell'uso.

Estrarre la chiave dal miniscooter incustodito.



Indica i punti di fissaggio del miniscooter.



Non corrisponde agli standard 7176-19 per il trasporto dell'occupante in un veicolo a motore. Quando si viaggia in un veicolo a motore, non stare seduti sul proprio Travel Scooter.



Fabbricato in.

I. SICUREZZA

CENNI GENERALI



OBBLIGATORIO! Prima di utilizzare il miniscooter per la prima volta, assicurarsi di aver letto e compreso completamente il presente manuale e la guida per la sicurezza del cliente.

Il miniscooter è un dispositivo al stato dell'arte, che migliora la qualità di vita, progettato per migliorare la mobilità. Noi fornisce un'ampia varietà di prodotti per soddisfare al meglio le necessità individuali dell'utente del miniscooter. È opportuno comprendere che la selezione finale e la decisione di acquisto in merito alla tipologia di miniscooter da utilizzare costituisce responsabilità dell'utente del miniscooter, che è in grado di compiere tale decisione, e del suo assistente sanitario (medico curante, fisioterapista ecc.).

Il contenuto del presente manuale parte dal presupposto che un esperto di dispositivi per la mobilità abbia adattato il miniscooter alla fisicità dell'utente ed abbia assistito l'assistente sanitario prescrivente e/o il fornitore autorizzato nel processo di istruzione all'uso del prodotto in oggetto.

In alcune situazioni, tra cui particolari stati di salute, è necessario che l'utente faccia pratica nell'uso del miniscooter alla presenza di un assistente o professionista sanitario. Per assistente addestrato si intende perciò, una persona, che sia preparata a coadiuvare l'utente del miniscooter nello svolgimento di varie attività quotidiane.

All'inizio dell'utilizzo del miniscooter durante le attività quotidiane, si incontreranno probabilmente situazioni che richiedono pratica. Procedere gradualmente per raggiungere il completo controllo di manovra attraverso porte, ascensori, rampe e terreno mediamente sconnesso.

Altre informazioni generali sono disponibili nei fogli supplementari e nei libretti inclusi nel pacchetto per l'utente. Leggere completamente e rivedere le informazioni e tenerle a portata di mano per futuro riferimento.

In basso sono riportate alcune precauzioni, consigli ed altre considerazioni sulla sicurezza per aiutare l'utente ad imparare il funzionamento sicuro del miniscooter.

CONTROLLO DI SICUREZZA PRE-UTILIZZO

È necessario acquistare familiarità con il miniscooter e con le sue capacità. Noi raccomanda di eseguire un controllo di sicurezza prima di ciascun utilizzo per verificare che il miniscooter funzioni con sicurezza e fluidità.

Prima di utilizzare il miniscooter eseguire le seguenti verifiche:

- Controllare le condizioni dei pneumatici. Assicurarsi che non siano danneggiati o eccessivamente usurati.
- Controllare tutti i collegamenti elettrici. Verificare che siano saldi e privi di corrosione.
- Controllare tutte le connessioni del telaio. Verificare che siano fissate correttamente.
- Controllare i freni per garantirne il funzionamento adeguato.
- Controllare l'indicazione sul contatore delle batterie per verificare che siano completamente cariche.
- Assicurarsi che la leva di sblocco ruote manuale sia in modalità di guida prima di sedersi sul miniscooter.

Se si riscontra un problema, contattare il fornitore autorizzato per assistenza. Consultare le informazioni di contatto riportate nel pacchetto per l'utente.

II. IL TUO MINISCOOTER

CONSOLE MANUBRIO

La console manubrio ospita tutti i comandi necessari alla guida del miniscooter, compreso l'interruttore della chiave, le leve di controllo dell'acceleratore, il pulsante del clacson, il selettore della velocità e l'indicatore di stato delle batterie. Consultare la *Tabella delle caratteristiche di Travel Scooter* sulla pagina di 125 di questo manuale per l'utente per determinare quale sia la configurazione della console idonea. **Vedere le figure da 1 a 4.**



PROIBITO! Non esporre la console manubrio all'umidità. Nel caso in cui la console manubrio venga esposta all'umidità, non tentare di utilizzare il miniscooter fino alla completa asciugatura del manubrio.

CHIAVE DI LETTURA PER LE FIGURE DA 1 A 4

- | | |
|--------------------------------|--|
| 1. CLACSON | 6. ALLOGGIAMENTO CAVO DI ALIMENTAZIONE DEL CARICATORE (PORTA DEL MANUBRIO) |
| 2. CHIAVE ACCENSIONE | 7. FUSIBILE DEL CARICATORE ESTERNO |
| 3. INDICATORE LIVELLO BATTERIE | 8. FUSIBILE DELLA LUCE |
| 4. SELETTORE DELLA VELOCITÀ | 9. INTERRUTTORE DELLA LUCE |
| 5. LEVA ACCELERATORE | |

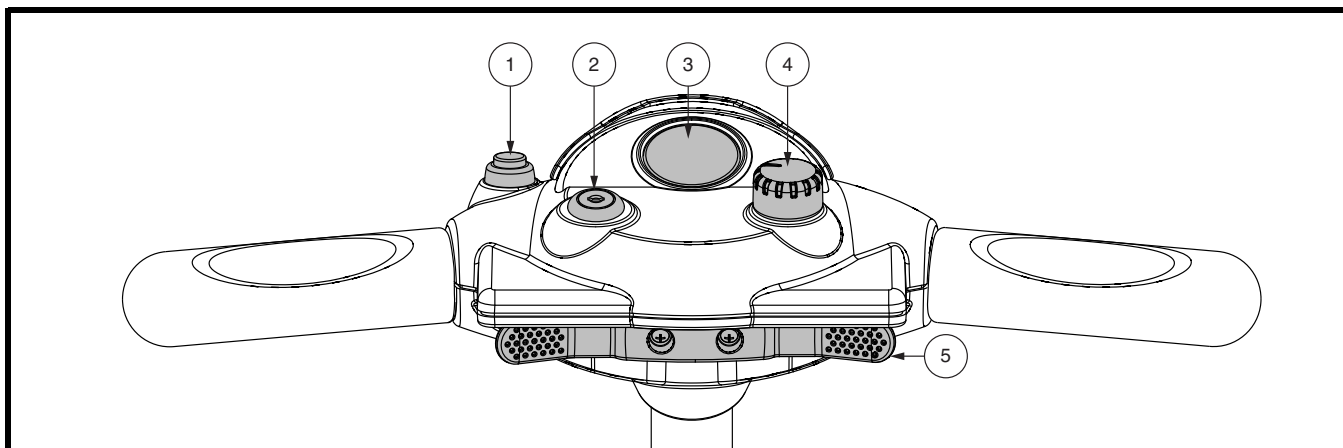


Figura 1. Componenti di console manubrio A

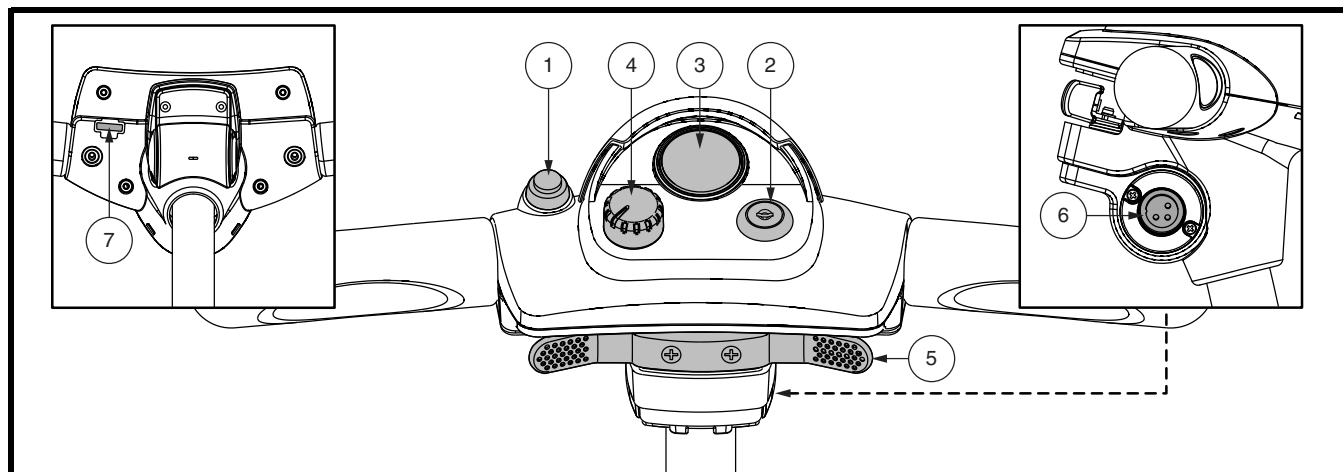


Figura 2. Componenti di console manubrio B

II. IL TUO MINISCOOTER

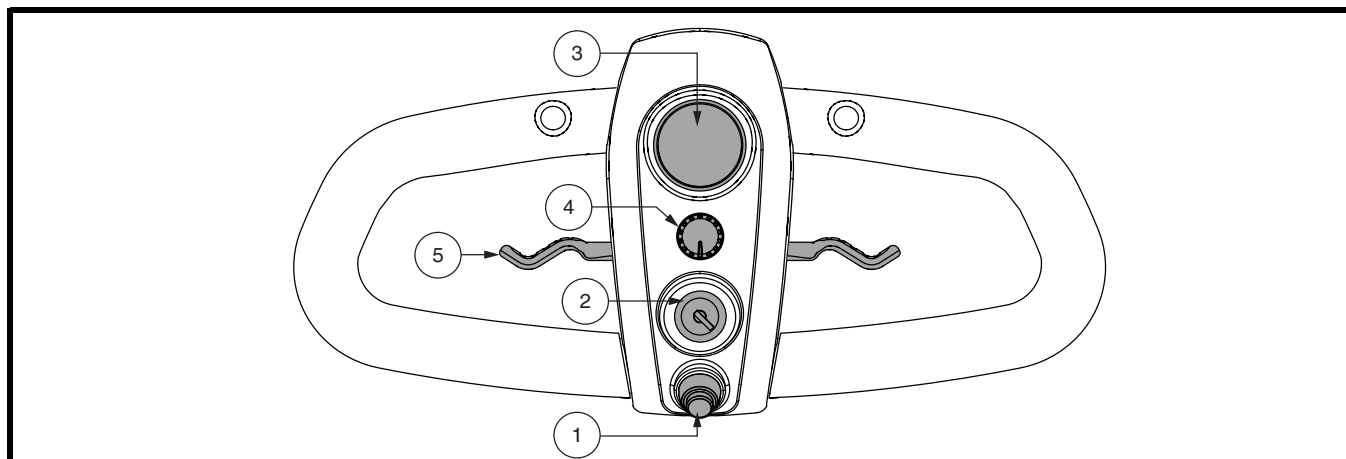


Figura 3. Componenti di console manubrio C

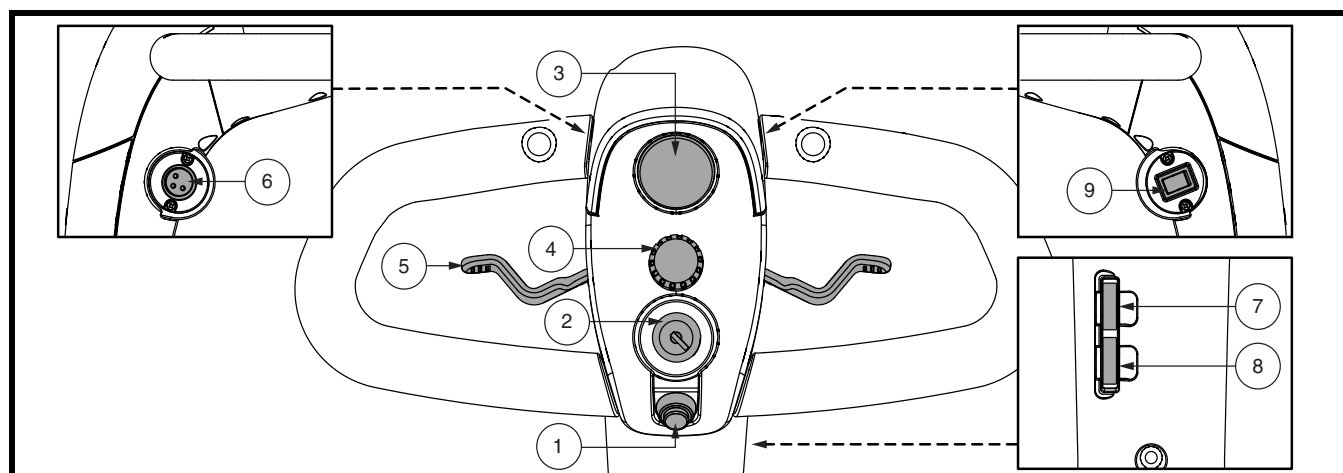


Figura 4. Componenti di console manubrio D

Pulsante del clacson

Questo pulsante attiva un avvisatore acustico. La chiave deve essere sulla posizione “on” affinché il clacson sia operativo. Non esitare a ricorrere all’uso dell’avvisatore acustico per prevenire incidenti o infortuni.

Interruttore a chiave

- Inserire la chiave nell’apposito interruttore e quindi ruotare in senso orario per alimentare (accendere) il miniscooter.
- Ruotare la chiave in senso antiorario per spegnere il miniscooter.

Sebbene la chiave possa essere lasciata nell’interruttore quando il miniscooter è spento, si consiglia di estrarla per prevenire uso non autorizzato del miniscooter.



AVVERTENZA! Se la chiave viene portata in posizione “off” quando il miniscooter è in movimento, i freni elettronici si attivano e il miniscooter si ferma improvvisamente!

Indicatore di stato delle batterie

Quando la chiave è inserita a fondo nell’apposito interruttore, questo misuratore indica la carica approssimativa delle batterie. Per maggiori informazioni sul misuratore dello stato delle batterie, vedere il paragrafo III. “Batterie e ricarica”.

II. IL TUO MINISCOOTER

Selettore della velocità

Questo selettore consente la preselezione e la limitazione della velocità massima del miniscooter.

- L'immagine della tartaruga corrisponde all'impostazione di velocità minima.
- L'immagine della lepre corrisponde all'impostazione di velocità massima.

Leva di controllo dell'acceleratore

Questa leva consente di controllare l'accelerazione in avanti e la marcia indietro del miniscooter, fino al massimo della velocità preimpostata dall'utente con l'apposito selettore.

- Posizionare la mano destra sull'impugnatura destra e la sinistra sull'impugnatura sinistra.
- Con il pollice destro, premere il lato destro della leva per disattivare i freni del miniscooter e procedere a marcia in avanti.
- Rilasciare la leva per consentire il completo arresto del miniscooter, prima di premere l'altro lato della leva per procedere a marcia indietro.
- Quando si rilascia completamente l'acceleratore, la leva torna automaticamente in posizione centrale di arresto e innesta i freni del miniscooter.

Interruttore delle luci (Se fornito)

Questo interruttore controlla le luci dello scooter. **Vedere figura 4.**

- Posizionare l'interruttore in avanti per accendere il fanale anteriore.
- Posizionare l'interruttore all'indietro per spegnere il fanale anteriore.



AVVERTENZA! Gli utenti degli scooter devono usare le luci quando la visibilità è ridotta— di giorno e di notte.

SEZIONE POSTERIORE

La leva di sblocco ruote manuale, le rotelle anti-ribaltamento, e il gruppo/motore/transasse sono ubicati nella parte posteriore del miniscooter. **Vedere figura 5.**



AVVERTENZA! Prima di attivare o disattivare la modalità di sblocco ruote del miniscooter, estrarre la chiave dall'apposito interruttore. Non stare in sella al miniscooter in modalità di sblocco ruote. Non attivare mai la modalità di sblocco ruote del miniscooter su una pendenza.

Leva sblocco ruote manuale

Nel caso in cui sia necessario o si desideri spingere il miniscooter per brevi tratti, è possibile attivare la modalità di sblocco ruote.

1. Localizzare la leva di sblocco manuale della ruota nella parte in alto a destra della sezione posteriore.
2. Spingere in avanti la leva di sblocco ruote manuale per disattivare il sistema di trazione e il sistema frenante. Ora è possibile spingere il miniscooter.
3. Spingere indietro la leva di sblocco manuale per riattivare la trazione e il sistema frenante, uscendo dalla modalità di sblocco ruote del miniscooter.

CODICE DI IDENTIFICAZIONE

1. LEVA SBLOCCO RUOTE MANUALE
2. GRUPPO MOTORE/DIFFERENZIALE
3. ROTELLE ANTI-RIBALTAMENTO

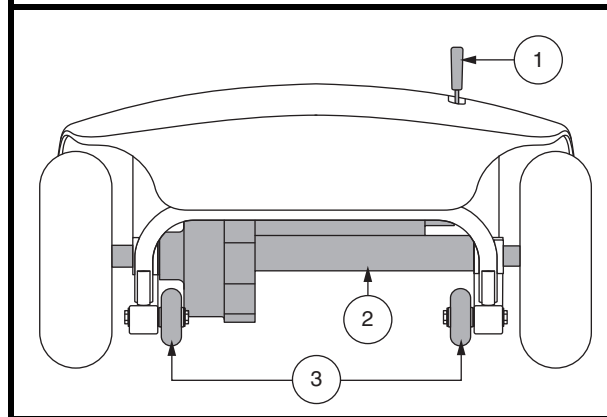


Figura 5. Sezione posteriore

II. IL TUO MINISCOOTER



AVVERTENZA! In modalità di sblocco ruote, il sistema frenante del miniscooter è disattivato.

- **Sbloccare i motori di trazione su una superficie piana.**
- **Accertarsi che la chiave sia sfilata dall'apposito interruttore.**
- **Stare dietro al miniscooter per attivare o disattivare la modalità di sblocco ruote. Non sedersi mai sul miniscooter per questa operazione.**
- **Dopo avere spinto il miniscooter, riportarlo sempre in modalità di guida per bloccare i freni.**

Gruppo motore/differenziale

Il gruppo motore/differenziale è l'unità elettromeccanica che converte l'energia elettrica delle batterie del miniscooter nell'energia meccanica controllata che muove le ruote del miniscooter.

Rotelle anti-ribaltamento

Le rotelle anti-ribaltamento costituiscono un importante elemento di sicurezza integrante del miniscooter. Sono fissate sul telaio nella parte posteriore del miniscooter.



PROIBITO! Non rimuovere mai le rotelle anti-ribaltamento né modificare in alcun modo il miniscooter senza l'autorizzazione.



AVVERTENZA! Le routine antiribaltamento potrebbero interferire nelle prestazioni del miniscooter nella salita o discesa di un ostacolo. Contattare il fornitore autorizzato per ulteriori informazioni.

Interruttore di rete principale (Pulsante reset)

Quando il voltaggio delle batterie del miniscooter è basso, oppure quando il miniscooter è pesantemente sollecitato da carichi eccessivi o da pendenze ripide, l'interruttore di rete principale può scattare per proteggere il motore e i componenti elettronici da possibili danni. Quando l'interruttore scatta, l'intero sistema elettrico si spegne. **Vedere figura 6.**

- Il pulsante reset fuoriesce quando l'interruttore scatta.
- Quando l'interruttore scatta, l'intero sistema elettrico del miniscooter si spegne.
- Attendere circa un minuto per lasciare riposare i componenti elettrici.
- Premere il pulsante reset per ripristinare l'interruttore.
- Se l'interruttore scatta frequentemente, può essere necessario caricare le batterie più spesso, oppure fare eseguire un test di ricarica delle batterie dal Rivenditore autorizzato.
- Se l'interruttore del circuito principale si attiva ripetutamente, consultare il proprio fornitore autorizzato per assistenza.

II. IL TUO MINISCOOTER

GRUPPO BATTERIA

Il miniscooter è dotato di un innovativo gruppo batteria, facile da rimuovere. La maniglia sopra il gruppo batteria ne consente l'estrazione dal miniscooter con una mano sola. Il pacco batteria comprende due batterie ricaricabili e può contenere la presa del cavo del caricabatterie, l'interruttore principale (pulsante di azzeramento) e il fusibile del pacco batteria. **Vedere figura 6.**

CODICE DI IDENTIFICAZIONE

- | | |
|--|---|
| 1. GRUPPO BATTERIA | 5. L'INTERRUTTORE DEL CIRCUITO PRINCIPALE (PULSANTE RESET) |
| 2. MANIGLIA DEL GRUPPO BATTERIA | 6. CABLAGGIO DEL CAVO DELLA BATTERIA |
| 3. ALLOGGIAMENTO CAVO ALIMENTAZIONE CARICATORE | 7. MORSETTI DELLA BATTERIA |
| 4. FUSIBILE DEL PACCO BATTERIA | 8. FUSIBILE DELLA CONSOLLE DEL MANUBRIO |

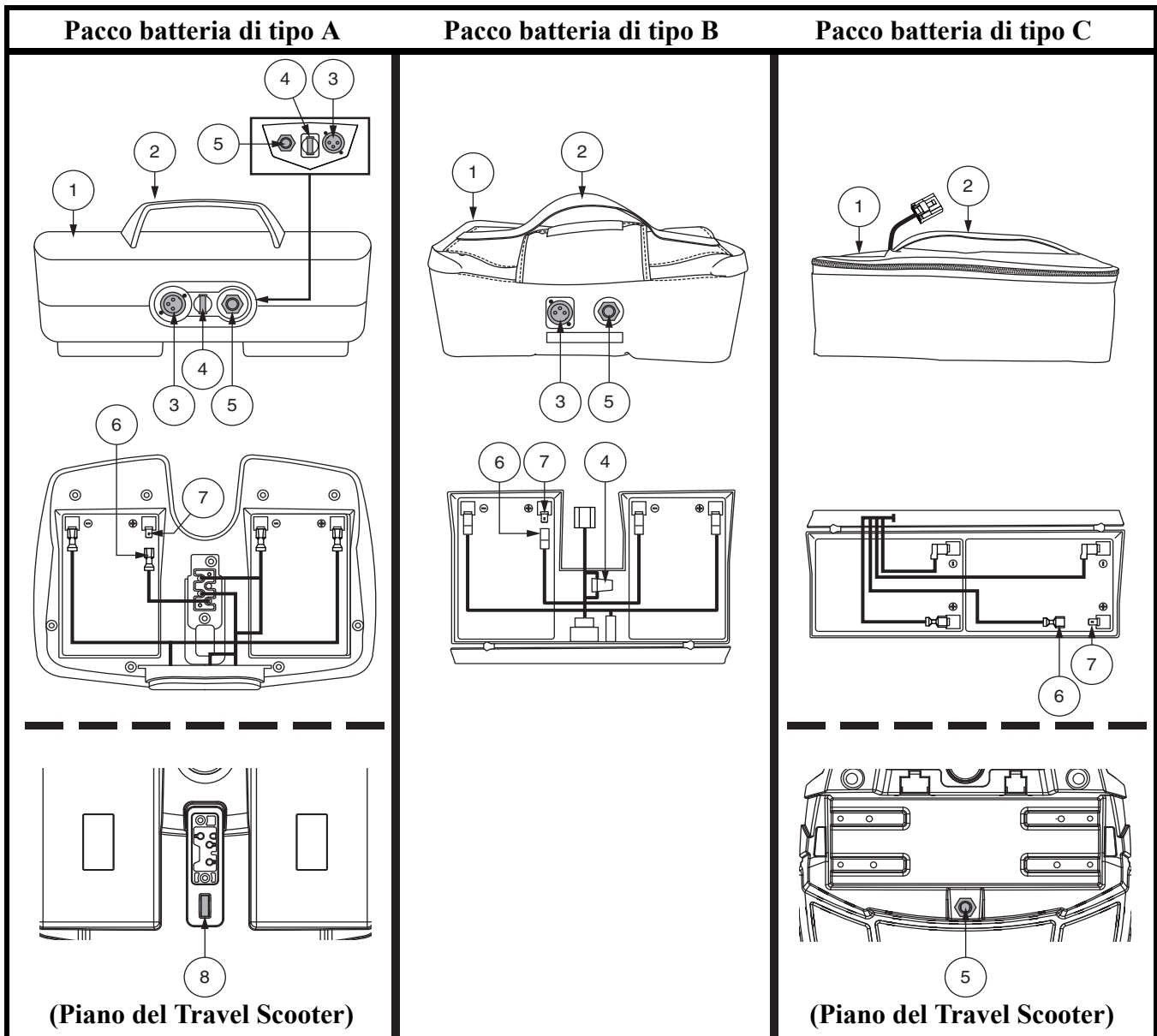


Figure 6. Gruppo batteria

II. IL TUO MINISCOOTER

Alloggiamento cavo di alimentazione del caricatore

La spina del caricatore esterno a 3 spinotti si collega in questo alloggiamento. Vedere le figure 7 e 8.

FUSIBILE CONSOLE MANUBRIO (SE FORNITO)

Il fusibile ubicato sotto il gruppo batteria protegge le componenti elettroniche della console manubrio. Vedere figura 6. Nel caso qualche componente della console manubrio non risponda, controllare questo fusibile. Vedere il paragrafo VII. “Risoluzione dei problemi” per le istruzioni di sostituzione del fusibile.

CARICATORE BATTERIA ESTERNO

Il caricatore batteria esterno, se collegato nell'alloggiamento del cavo di alimentazione del caricatore e ad una presa a muro standard, carica le batterie del miniscooter. Vedere figura 9.

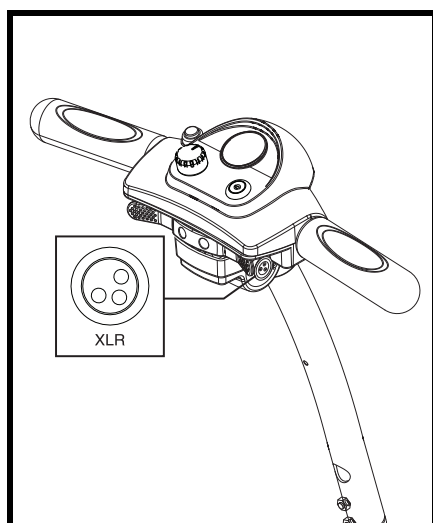


Figura 7. Alloggiamento cavo alimentazione caricatore (Manubrio montato)

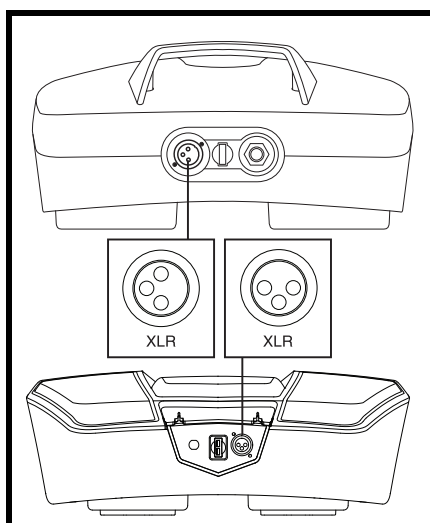


Figura 8. Alloggiamento cavo alimentazione caricatore (Gruppo batteria)

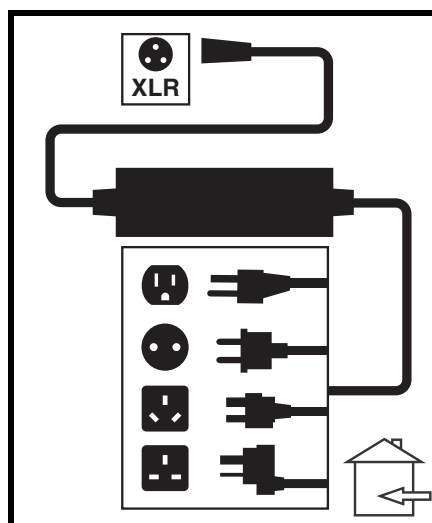


Figura 9. Caricatore batteria esterno

FISSAGGIO DEL MINISCOOTER

Fissare sempre il miniscooter rivolto in avanti nel veicolo. Unire le quattro fascette di fissaggio ai punti designati. Vedere figura 10. Stringere le fascette in modo da eliminare qualunque allentamento. Non attaccare mai fissaggi a parti regolabili, mobili o rimovibili del miniscooter, come braccioli, scocche e ruote. Questi oggetti devono essere rimossi. Posizionare i punti di ancoraggio per le fascette di fissaggio posteriori dietro i punti di fissaggio posteriori del miniscooter. Le fascette di fissaggio anteriori devono ancorarsi a punti del pavimento, a distanza maggiore della larghezza del miniscooter per fornire una maggiore stabilità laterale.



AVVERTENZA! Verificare che i miniscooter siano adeguatamente fissati al veicolo motore durante il trasporto. I miniscooter non adeguatamente fissati possono rappresentare un pericolo per l'utente e per gli altri passeggeri del veicolo in caso di incidente, arresto improvviso o brusca deviazione, poiché il miniscooter potrebbe capovolgersi o scivolare.

II. IL TUO MINISCOOTER

CODICE DI IDENTIFICAZIONE

1. Sezione anteriore (3-ruota)
 - 1a. Modelli 83 e 84
 - 1b. Modelli 36, 40X, 44X, 40E, 44E, 40LX, 44LX, 50LX, 54LX, 53, 53HD, 54, 54HD, 73, e 74
2. Sezione anteriore (4-ruota)
3. Sezione posteriore

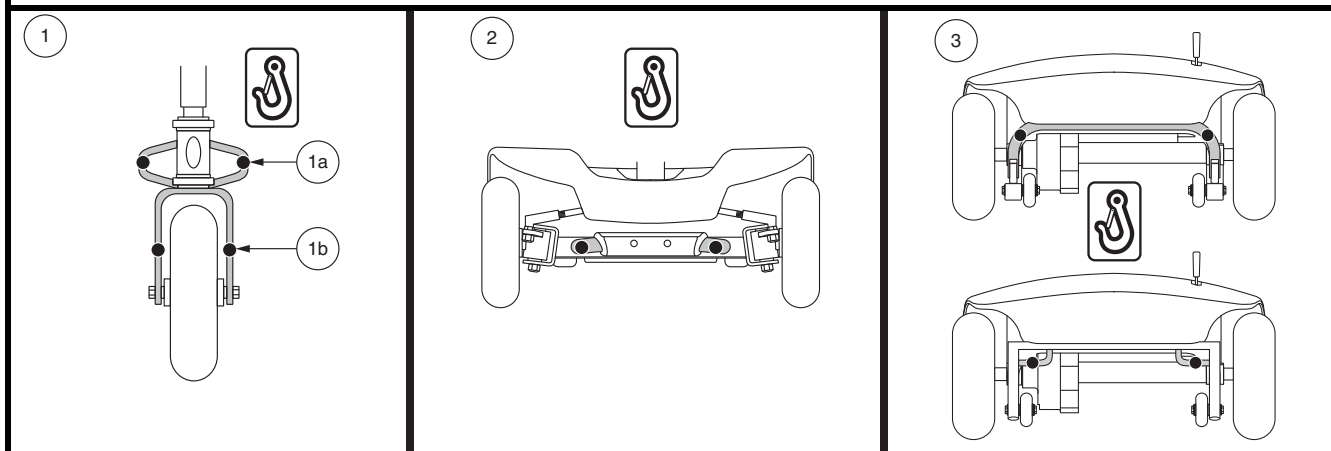


Figura 10. Punti di fissaggio (Identificati dai punti neri)

PANNELLI SCOCCA

Su alcuni modelli, è possibile cambiare il colore del miniscooter rimuovendo i pezzi del pannello della scocca di plastica colorata e sostituendoli con una delle altre serie fornite. I pannelli si tengono a posto mediante un gancio ed un fissante riutilizzabile. Consultare la tabella delle caratteristiche di Travel Scooter (sulla pagina di 125).

Per rimuovere i pezzi del pannello scocca:

1. Usare le dita per localizzare il foro di spinta dietro ciascun pezzo della scocca.
2. Spingere attraverso il foro per separare il pezzo dal miniscooter. Vedere figura 11.

Per rimuovere il parasole dalla console del manubrio:

1. Staccare delicatamente la parte superiore del parasole dalla console del manubrio, poi sollevarlo lentamente e toglierlo dalla console. Vedere figura 12.

Per reinstallare i pezzi della scocca, posizionare ciascun pezzo nella sua ubicazione adeguata e spingere con leggera pressione per fissare il fissante riutilizzabile.

NOTA: Quando si installa il pannello paraurti anteriore e posteriore, verificare che la scheda nella parte inferiore del pannello è inserito nell'apertura prima di fissare il pannello. Vedere figura 11.

CODICE DI IDENTIFICAZIONE

1. Pannello paraurti posteriore
2. Pannello paraurti anteriore

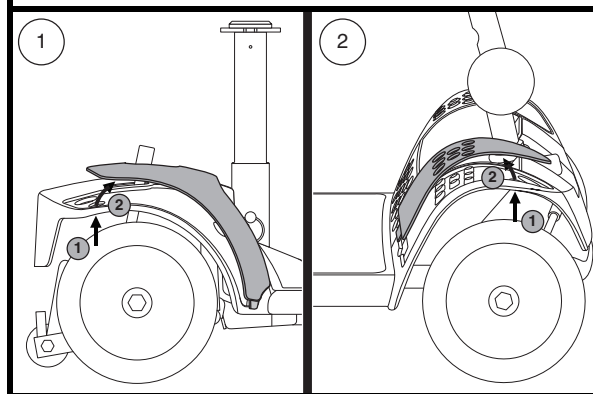


Figura 11. Pannello paraurti

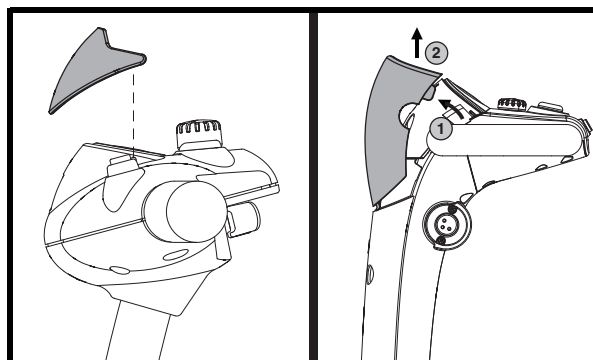


Figura 12. Parasole della console del manubrio

III. BATTERIE E RICARICA

BATTERIE E RICARICA

Il miniscooter richiede due batterie di lunga durata da 12 volt, a ciclo continuo, sigillate ed esenti da manutenzione. Sono ricaricate dal sistema di ricarica esterno fornito.

- Caricare le batterie for almeno da 8 a 14 ore precedentemente al primo utilizzo del miniscooter.
- Mantenere le batterie completamente cariche garantisce al miniscooter una percorrenza dolcemente regolare.

LETTURA DEL VOLTAGGIO DELLE BATTERIE

L'indicatore di carica delle batterie sulla console manubrio utilizza un codice cromatico per indicare la carica approssimativa delle batterie. Da destra a sinistra dell'indicatore, il verde indica che le batterie sono completamente cariche, il giallo che si stanno scaricando e il rosso l'immediata necessità di ricarica. **Vedere figura 13.** Per garantire la massima precisione, l'indicatore di stato delle batterie deve essere controllato durante l'uso del miniscooter a massima velocità, su una superficie uniforme e asciutta.

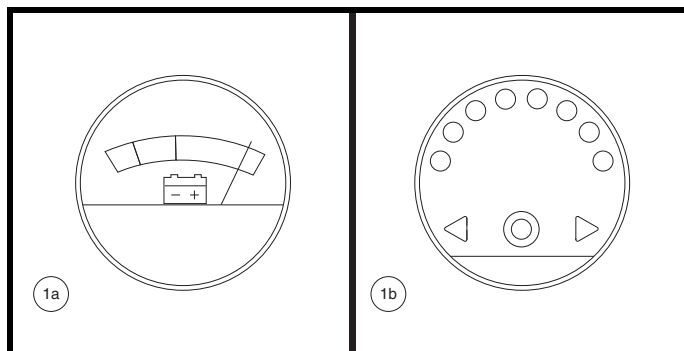


Figura 13. Indicatore dello stato delle batterie

RICARICA DELLE BATTERIE

NOTA: In alcuni modelli, il pacco batteria può essere caricato a bordo o separato da Travel Scooter. Consultare la tabella delle caratteristiche di Travel Scooter.



PROIBITO! La rimozione dello spinotto di messa a terra può causare scossa elettrica. Se necessario, installare correttamente un adattatore autorizzato a 3 spinotti in una presa elettrica con accesso per spina a 2 spinotti.



PROIBITO! Non usare mai una prolunga per collegare il caricabatterie. Collegare il caricatore direttamente ad una presa a muro standard con cablaggio adeguato.



PROIBITO! Non lasciare giocare i bambini senza il controllo dei genitori mentre le batterie sono sotto carica. Si raccomanda di non caricare le batterie quando il miniscooter è occupato.



OBBLIGATORIO! Leggere attentamente le istruzioni di carica delle batterie nel presente manuale e nel manuale fornito con il caricabatterie, prima di ricaricarle.



AVVERTENZA! Durante le operazioni di carica delle batterie potrebbero essere prodotti dei gas esplosivi. Tenere il miniscooter ed il caricabatterie lontani da fonti di calore quali fiamme o scintille e fornire un'adeguata ventilazione durante la carica delle batterie.

AVVERTENZA! Le batterie devono essere caricate con il caricatore esterno fornito. Non usare un caricatore per batterie da automobili.

AVVERTENZA! Controllare che il caricabatterie, i cavi ed i connettori non siano danneggiati prima dell'uso. Contattare il vostro rivenditore autorizzato in caso di danni.



AVVERTENZA! Non tentare di aprire la scatola del caricabatterie. Qualora il caricabatterie sembri non funzionare correttamente, contattare il vostro rivenditore autorizzato.

AVVERTENZA! Se il vostro caricabatterie esterno è dotato di fessure di refrigerazione, non cercare di inserire oggetti attraverso queste fessure.

AVVERTENZA! Prestare attenzione al caricabatterie che sotto carica potrebbe riscaldarsi. Evitare il contatto con la pelle e non posizionare su superfici che potrebbero essere danneggiate dal calore.

III. BATTERIE E RICARICA



AVVERTENZA! Se il Vostro caricabatterie non è stato testato e approvato per uso esterno, evitare di esporlo a intemperie e condizioni atmosferiche avverse. Se il caricabatterie è stato esposto a intemperie e condizioni atmosferiche avverse, dovrà essere riposto in condizioni ambientali standard prima di essere utilizzato. Consultare il manuale fornito con il caricabatterie per ulteriori informazioni.

Per caricare le batterie in totale sicurezza, attenersi alle istruzioni fornite di seguito:

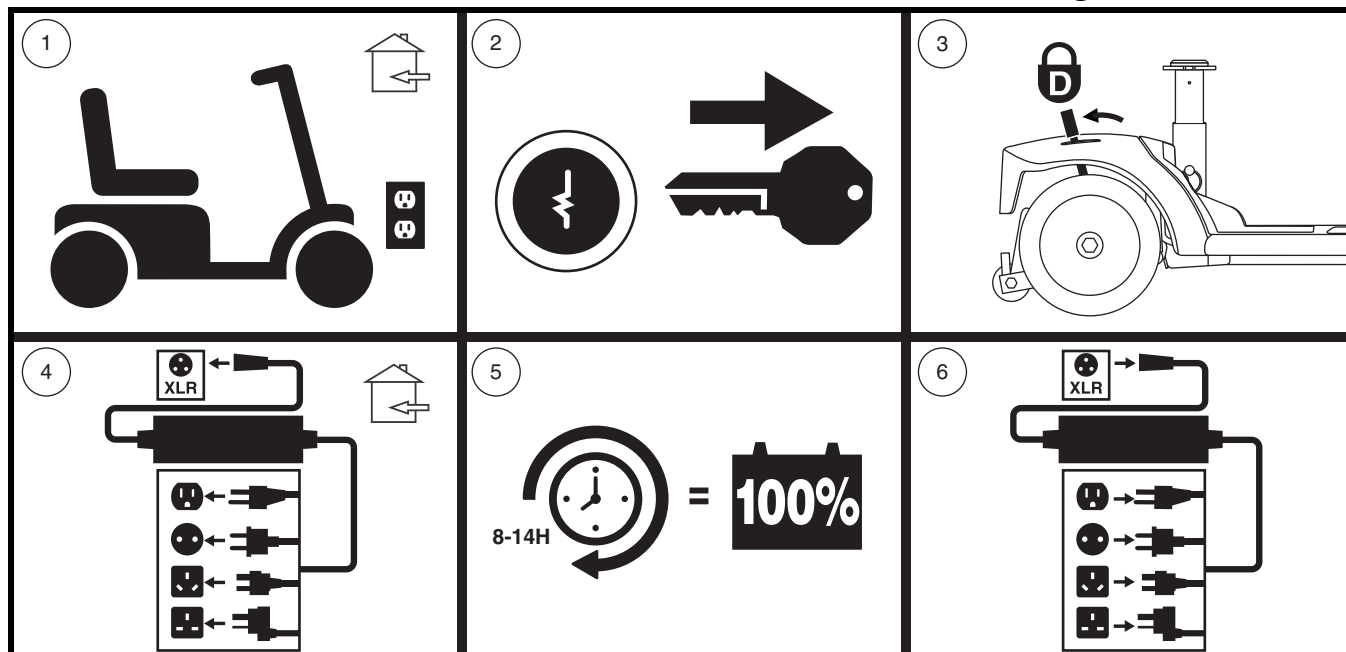


Figura 14. Schema delle procedure di ricarica della batteria



AVVERTENZA! Le luci LED sul caricabatterie indicano diverse condizioni del caricabatterie in vari momenti. Se il LED non indica che la carica è completa entro 24 ore, staccare il caricabatterie dalla presa e contattare il proprio fornitore. Consultare l'etichetta sul caricabatterie per una spiegazione completa di questi indicatori.

NOTA: Il miniscooter è dotato di una funzione di inibizione del caricatore. Il miniscooter non funziona e l'indicatore delle condizioni della batteria non opera mentre le batterie sono in carica (quando il pacco batteria è in carica a bordo di Travel Scooter).

DOMANDE FREQUENTI

Come funziona il caricabatterie?

Quando il voltaggio delle batterie del miniscooter è basso, il caricabatterie lavora di più e invia maggiore quantità di corrente elettrica alle batterie per alzarne lo stato di carica. Mentre il voltaggio raggiunge la carica completa, il caricabatterie diminuisce progressivamente la quantità di corrente inviata alle batterie. Quando le batterie sono completamente cariche, la corrente inviata dal caricatore è praticamente quasi pari a zero. Pertanto, quando il caricatore è inserito, mantiene la carica delle batterie del miniscooter senza sovraccaricarle. Consultare il manuale fornito con il caricabatterie per le istruzioni di carica.

Posso usare un caricatore diverso?

I caricatori sono selezionati precisamente per applicazioni particolari e sono abbinati al tipo, al formato e alla formulazione chimica delle batterie specifiche. Per la ricarica più sicura ed efficiente delle batterie del miniscooter, si raccomanda solo l'uso del caricatore fornito come apparecchiatura originale del prodotto. Qualunque metodo di ricarica che comporti una ricarica individuale delle batterie è vietato in modo particolare.

III. BATTERIE E RICARICA

Perché le batterie del miniscooter non si ricaricano?

- Verificare che il fusibile sul gruppo batteria sia in condizioni operative. **Vedere le figure 6 o 7.**
- Accertarsi che entrambe le estremità del cavo di alimentazione del caricatore siano inserite a fondo.

Con quale frequenza è necessario caricare le batterie?

È necessario considerare due fattori principali per decidere la frequenza di ricarica delle batterie del miniscooter:

- Utilizzo giornaliero del miniscooter per l'intera giornata.
- Utilizzo infrequente o sporadico del miniscooter.

Tenendo presenti queste considerazioni, è possibile determinare la frequenza e la durata della carica delle batterie del miniscooter. Il caricabatterie esterno è progettato in modo da non sovraccaricare le batterie del miniscooter. Tuttavia si possono verificare problemi nel caso in cui le batterie non vengano ricaricate con sufficiente frequenza o regolarità. Per una carica e funzionalità ottimale delle batterie seguire attentamente le indicazioni.

- In caso di utilizzo quotidiano del miniscooter, caricare le batterie al termine della giornata di utilizzo. Il miniscooter sarà pronto al mattino per una piena giornata di funzionamento. Si raccomanda una ricarica delle batterie del miniscooter almeno 8 a 14 ore in caso di utilizzo quotidiano. Si consiglia di caricare le batterie per altre 4 ore dopo che il caricatore indica che la ricarica è completa.
- In caso di utilizzo settimanale o inferiore, caricare le batterie almeno una volta la settimana, per una durata almeno 24 ore.

NOTA: Conservare le batterie completamente cariche ed evitare di scaricarle completamente. Per le istruzioni di ricarica, consultare il manuale fornito con il caricabatterie. Si consiglia di caricare le batterie per almeno 48 ore consecutive una volta al mese per migliorarne le prestazioni e la durata.

Come garantire la massima durata delle batterie?

Le batterie a ciclo continuo pienamente cariche offrono prestazioni affidabili e massima durabilità. Mantenere le batterie del miniscooter in piena carica se possibile. Proteggere miniscooter e batterie da condizioni estreme di caldo e freddo. Le batterie scaricate a fondo regolarmente e caricate di rado, o conservate senza effettuare ricariche complete, possono essere danneggiate in maniera permanente, con conseguente inaffidabilità e limitata durabilità.

NOTA: Per prolungare la durata della batteria, spegnere sempre il miniscooter ed estrarre la chiave quando non è in uso.

In che modo si ottiene la massima percorrenza o distanza per ogni carica?

Raramente si presentano condizioni di percorrenza ideale—fondo stradale regolare, piano, duro, in assenza di vento o curve. Spesso si incontrano colline, crepe nei marciapiedi, superfici irregolari e non compatte, curve e vento e tutte queste condizioni influiscono sulla percorrenza o sul tempo di funzionamento per ciclo di carica delle batterie. Di seguito sono indicati alcuni suggerimenti per massimizzare la percorrenza per ogni ciclo di carica delle batterie.

- Prima dell'uso, ricaricare sempre completamente le batterie del miniscooter.
- Pianificare l'itinerario per evitare il più possibile salite e superfici crepate, danneggiate o morbide.
- Limitare il peso dei bagagli all'essenziale.
- Cercare di mantenere una velocità di crociera costante del miniscooter.
- Evitare ripetute fermate e ripartenze.
- Si consiglia di caricare le batterie per almeno 48 ore consecutive una volta al mese per migliorarne le prestazioni e la durata.
- Verificare che tutte le connessioni siano ben salde.

III. BATTERIE E RICARICA

Quale tipo e formato di batteria è opportuno usare?

Si consigliano batterie a ciclo continuo sigillate e prive di manutenzione. Sia le batterie sigillate a piombo acido sia quelle al gel sono a ciclo continuo e registrano prestazioni analoghe. Non utilizzare batterie a cellula liquida con tappi asportabili.



AVVERTENZA! Le batterie contengono sostanze chimiche corrosive. Per ridurre il rischio di perdite di liquido o condizioni di esplosione, usare solamente batterie AGM o gel.

NOTA: Le batterie sigillate non consentono alcuna manutenzione. Non rimuovere i tappi.

Perchè le batterie nuove sembrano deboli?

Le batterie a ciclo continuo utilizzano una tecnologia chimica differente da quella delle batterie per automobili, dalle nichelio-cadmio o da altri tipi di batterie comunemente note. Le batterie a ciclo continuo sono concepite per erogare alimentazione, esaurire la carica e successivamente effettuare una ricarica relativamente rapida.

Noi lavoriamo in stretta collaborazione con il fornitore di batterie al fine di offrire le batterie più indicate alle specifiche esigenze elettriche del miniscooter. Le batterie nuove arrivano quotidianamente alla e vengono inviate ai clienti completamente cariche. Nel corso della spedizione le batterie possono essere esposte a temperature estreme che influiscono sulle prestazioni iniziali. Il calore diminuisce la carica della batteria; il freddo rallenta l'erogazione di elettricità e prolunga il tempo necessario per la ricarica.

La stabilizzazione della temperatura delle batterie nuove del miniscooter può richiedere qualche giorno, così come l'adattamento alla nuova temperatura ambientale. L'equilibrio chimico critico essenziale al raggiungimento del massimo delle prestazioni e della durabilità di una batteria a ciclo continuo richiede l'esecuzione di alcuni cicli di carica (scaricamenti parziali seguiti da ricariche complete).

Attenersi alle istruzioni fornite per inizializzare le nuove batterie del miniscooter ed ottenere il massimo delle prestazioni e della durabilità:

1. Effettuare una ricarica completa di tutte le batterie nuove prima di utilizzarle. Questo ciclo di ricarica porta le batterie all'88% del livello di prestazione massima.
2. Utilizzare il nuovo miniscooter in luoghi sicuri e conosciuti. Iniziare con una guida lenta e non spingersi troppo lontano da casa o dai luoghi noti fino al raggiungimento di una certa pratica dei comandi del miniscooter.
3. Effettuare una ricarica completa delle batterie. Devono superare il 90% del livello di prestazione massima.
4. Utilizzare nuovamente il miniscooter. Effettuare nuovamente una ricarica completa delle batterie.
5. Al termine di quattro cinque cicli di ricarica, le batterie sono in grado di ricevere una carica pari al 100% delle prestazioni massime e durare per un periodo di tempo prolungato.

Come si utilizzano i mezzi pubblici di trasporto?

Per utilizzare i mezzi pubblici di trasporto con il miniscooter, è necessario rivolgersi in anticipo al gestore del servizio di trasporto per conoscere i requisiti specifici.

III. BATTERIE E RICARICA

Come sostituire le batterie?



OBBLIGATORIO! I gruppi batteria, i terminali e gli accessori relativi contengono piombo e composti del piombo. Per maneggiare le batterie indossare occhiali e guanti e lavare le mani dopo le operazioni svolte.



AVVERTENZA! Usare sempre due batterie dello stesso tipo, stessa composizione chimica e capacità amperora (Ah). Consultare la tabella delle specifiche tecniche contenuta nel presente manuale ed in quello fornito con il caricabatteria per il tipo e le capacità raccomandate.



AVVERTENZA! Non mischiare batterie vecchie e nuove. Sostituire sempre entrambe le batterie contemporaneamente.

AVVERTENZA! Contattare il fornitore autorizzato in caso di domande sulle batterie del miniscooter.

AVVERTENZA! Non sostituire le batterie, se il miniscooter è occupato.

AVVERTENZA! Le batterie del Vostro miniscooter dovranno essere controllate e sostituite dal rivenditore autorizzato o da un assistente qualificato.



PROIBITO! Allontanare strumenti ed oggetti metallici dai terminali della batteria. Il contatto con attrezzi può provocare scosse elettriche.

Potreste aver bisogno delle seguenti indicazioni per caricare le batterie:

- Set prese e cricco metrici/standard
- Chiave regolabile



AVVERTENZA! Non sollevare pesi oltre la propria capacità fisica. Se necessario, richiedere assistenza prima di eseguire lo smontaggio del miniscooter.

AVVERTENZA! Non tirare direttamente i cavi elettrici per staccarli dal miniscooter. Afferrare sempre il connettore quando si scollegano i cavi, onde evitare danni.

Sostituire le batterie nel pacco batteria di tipo A (vedere figura 6):

1. Rimuovere il gruppo batteria dal miniscooter.
2. Capovolgere attentamente il pacco.
3. Rimuovere le viti dal perimetro del gruppo batteria.
4. Ruotare delicatamente il gruppo con il lato destro rivolto verso l'alto e rimuovere il tappo.
5. Scollegare i cavi della batteria nero (-) e rosso (+) dai terminali.
6. Rimuovere le vecchie batterie dagli alloggiamenti.
7. Posizionare la batteria nuova nell'alloggiamento corrispondente.
8. Su ogni batteria, collegare il cavo rosso al terminale della batteria positivo (+).
9. Su ogni batteria, collegare il cavo nero al terminale della batteria negativo (-).
10. Riposizionare il coperchio sul pacco batteria assicurandosi che tutti i cavi siano all'interno e non restino incastrati.
11. Capovolgere attentamente il gruppo.
12. Reinstallare tutte le viti e stringere.

III. BATTERIE E RICARICA

NOTA: Alcune batterie richiedono la rimozione di un dado e di un bullone per scollegare il cavo della batteria dal morsetto. Vedere figura 15.

Sostituire le batterie nel pacco batteria di tipo B (vedere figura 6):

1. Scollegare il cavo della batteria e rimuovere il pacco batteria da Travel Scooter. Vedere figura 16.
2. Aprire il gruppo batteria.
3. Scollegare i cavi della batteria nero (-) e rosso (+) dai terminali.
4. Rimuovere le vecchie batterie dagli alloggiamenti.
5. Posizionare la batteria nuova nell'alloggiamento corrispondente.
6. Su ogni batteria, collegare il cavo rosso al terminale della batteria positivo (+).
7. Su ogni batteria, collegare il cavo nero al terminale della batteria negativo (-).
8. Chiudere completamente il gruppo batteria.
9. Reinstallare il gruppo batteria, quindi collegare le cinghie.

Sostituire le batterie nel pacco batteria di tipo C (vedere figura 6):

1. Rimuovere il sedile e la scocca posteriore.
2. Scollegare le cinghie della batteria e la fascetta di fissaggio, quindi rimuovere la batteria dal miniscoter. Vedere figura 16.
3. Aprire il gruppo batteria.
4. Scollegare i cavi della batteria nero (-) e rosso (+) dai terminali.
5. Rimuovere le vecchie batterie dagli alloggiamenti.
6. Posizionare la batteria nuova nell'alloggiamento corrispondente.
7. Su ogni batteria, collegare il cavo rosso al terminale della batteria positivo (+).
8. Su ogni batteria, collegare il cavo nero al terminale della batteria negativo (-).
9. Chiudere completamente il gruppo batteria.
10. Reinstallare il gruppo batteria, quindi collegare le cinghie e la fascetta di fissaggio.
11. Reinstallare il sedile e la scocca posteriore.

NOTA: In caso di batteria danneggiata o fessurata, chiuderla immediatamente in un sacco di plastica. Contattare l'ente locale addetto allo smaltimento dei rifiuti o il rivenditore autorizzato per le istruzioni sullo smaltimento e sul riciclo delle batterie, che costituisce la nostra procedura consigliata.

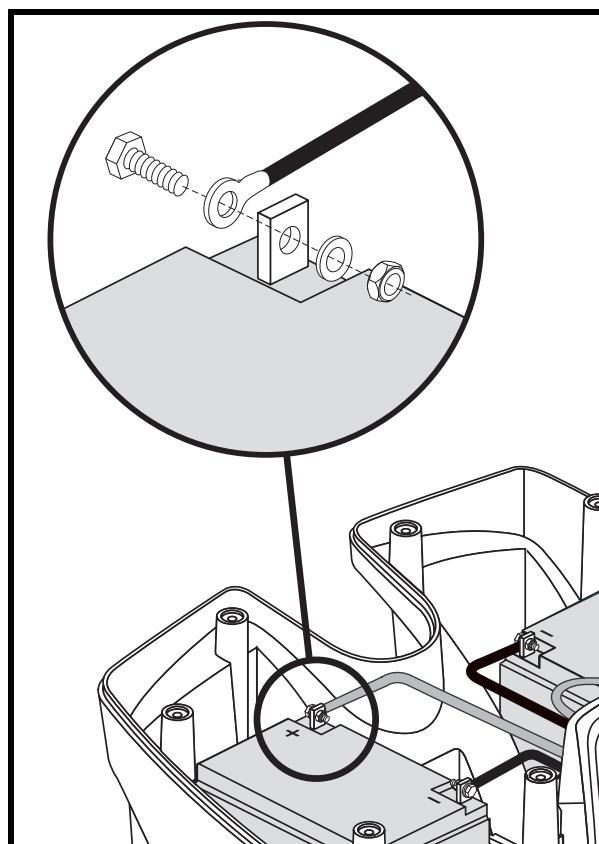


Figura 15. Scollegare il cavo batteria dalla scatola batteria 17-22 Ah

CODICE DI IDENTIFICAZIONE

1. Fascetta di fissaggio delle batterie
2. Telaio anteriore-posteriore
3. Cinghia della batteria

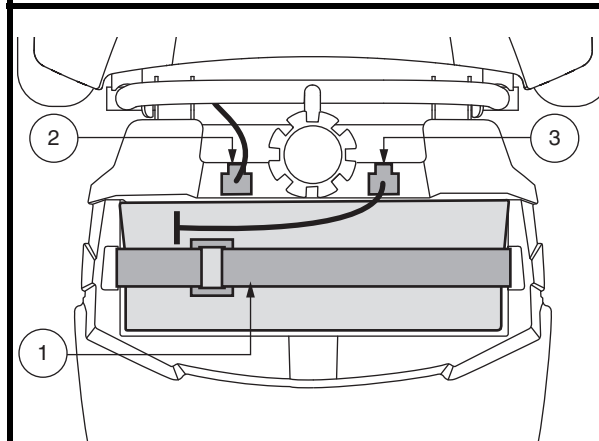


Figura 16. Fascetta di fissaggio delle batterie

IV. UTILIZZO

PRIMA DI SALIRE SUL MINISCOOTER

- Le batterie sono completamente cariche? Vedere il paragrafo III. “Batterie e ricarica”.
- La leva di modalità di sblocco manuale è in posizione di trazione (all’indietro)? Non lasciare mai la leva di sblocco ruote manuale in avanti se non quando si spinge il miniscooter a mano.
- Verificare che il bloccasterzo del manubrio sia disattivato. Vedere il paragrafo VI. “Smontaggio e montaggio”.

SALIRE SUL MINISCOOTER

1. Accertarsi che la chiave sia sfilata dall’apposito interruttore.



AVVERTENZA! Non cercare mai di salire o scendere dal miniscooter senza prima avere estratto la chiave dall’apposito interruttore. Ciò previene il movimento del miniscooter in caso di contatto accidentale con la leva di controllo dell’acceleratore.

2. Posizionarsi a lato del miniscooter.
3. Sbloccare la leva di blocco del sedile e ruotare il sedile fino a quando è di fronte all’utente.
4. Accertarsi che il sedile sia bloccato in sede.
5. Posizionarsi comodamente e saldamente sul sedile.
6. Sbloccare la leva di blocco del sedile e ruotare il sedile fino a quando l’utente guarda in avanti.
7. Accertarsi che il sedile sia bloccato in sede.
8. Verificare che i piedi siano sicuri sul pianale.

REGOLAZIONI E CONTROLLI PRIMA DELL’USO

- Il sedile è regolato alla giusta altezza? Vedere il paragrafo V. “Regolazioni di comodità”.
- Il sedile è nella propria sede?
- Il manubrio è impostato in modo confortevole e bloccato nella propria sede? Vedere il paragrafo V. “Regolazioni di comodità”.
- La chiave è completamente inserita nell’apposita sede e ruotata in senso orario in posizione “on”?
- Il clacson del miniscooter funziona correttamente?
- L’itinerario prescelto è libero da persone, animali e ostacoli?
- Si è pianificato un itinerario che eviti, per quanto possibile, terreno difficile e pendenze?

UTILIZZO DEL MINISCOOTER



AVVERTENZA! Quanto segue può influire negativamente sulla sterzata e sulla stabilità operativa del miniscooter:

- Tenere in mano o attaccare un guinzaglio per far passeggiare un animale.
- Portare passeggeri (compresi animali).
- Appendere oggetti al manubrio.
- Essere trainato o spinto da un altro veicolo a motore.

AVVERTENZA! Tenere sempre le mani sul manubrio e i piedi sul pianale in ogni momento durante l’uso del miniscooter. Questa posizione di guida offre il massimo controllo del veicolo.

- Impostare il regolatore della velocità alla velocità desiderata.
- Premere con il pollice la leva di controllo dell’acceleratore.
- Il freno di sosta elettromeccanico si disinnesta automaticamente e il miniscooter accelera dolcemente fino alla velocità preselezionata con il selettore apposito.
- Per sterzare a sinistra, tirare l’impugnatura sinistra del manubrio.
- Per sterzare a destra, tirare l’impugnatura destra del manubrio.
- Muovere il manubrio verso il centro per procedere dritto.
- Per fermarsi, rilasciare lentamente la leva di controllo dell’acceleratore. I freni elettronici si attivano automaticamente quando il miniscooter si ferma.

IV. UTILIZZO

NOTA: *La retromarcia del miniscooter è più lenta della velocità in avanti preimpostata con il selettore apposito.*

SCENDERE DAL MINISCOOTER

1. Arrestare completamente il miniscooter.
2. Estrarre la chiave dall'apposito interruttore.



AVVERTENZA! Non cercare mai di salire o scendere dal miniscooter senza prima avere estratto la chiave dall'apposito interruttore. Ciò previene il movimento del miniscooter in caso di contatto accidentale con la leva di controllo dell'acceleratore.

3. Sbloccare la leva di blocco del sedile e ruotare il sedile fino a quando l'utente guarda il lato del miniscooter.
4. Accertarsi che il sedile sia bloccato in sede.
5. Uscire con attenzione dal sedile e scendere a lato del miniscooter.
6. Si può lasciare il sedile rivolto verso il lato per facilitare la salita successiva sul miniscooter.

FUNZIONE TIMER DI SPEGNIMENTO

Il miniscooter è dotato di una funzione automatica di timer di spegnimento per il risparmio energetico che preserva la durata delle batterie. Se si lascia accidentalmente la chiave nell'interruttore in posizione "on" ma non si usa il miniscooter per circa 20 minuti, la centralina del miniscooter si spegne automaticamente.

Se la funzione di timer di spegnimento si attiva, eseguire le seguenti operazioni per tornare al normale funzionamento.

1. Estrarre la chiave dall'apposito interruttore.
2. Reinserire la chiave e accendere il miniscooter.

V. REGOLAZIONI DI COMODITÀ

INCLINAZIONE DEL MANUBRIO (Vedere figura 17)



AVVERTENZA! Rimuovere la chiave dall'interruttore apposito prima di regolare il manubrio o il sedile. Non tentare mai di regolare il manubrio mentre il miniscooter è in movimento.

NOTA: Per abbassare completamente il manubrio, prima è necessario rimuovere il sedile e il gruppo batteria. Rimuovere sedile sollevandolo verso l'alto e togliendolo dal miniscooter.

ROTAZIONE DEL SEDILE

La leva di rotazione del sedile, ubicato sulla destra della base del sedile, può essere usato per bloccare il sedile in diverse posizioni. Vedere figura 18.

1. Sollevare la leva di rotazione del sedile per sbloccare il sedile.
2. Ruotare il sedile sulla posizione desiderata.
3. Rilasciare la leva per bloccare il sedile a posto.

REGOLAZIONE DELLA LARGHEZZA DEL BRACCIOLO

La larghezza del bracciolo è regolabile verso l'interno o l'esterno.

1. Allentare le manopole di regolazione del bracciolo. Vedere figura 18.
2. Rimuovere i perni dei denti di arresto.
3. Spingere i braccioli verso l'interno o verso l'esterno alla larghezza desiderata.
4. Allineare i fori di regolazione sul telaio del sedile e sul bracciolo, quindi reinserire il perno del dente di arresto.
5. Stringere le manopole di regolazione del bracciolo.

NOTA: Ruotare i braccioli verso l'alto per aiutare la salita e la discesa dal miniscooter.

REGOLAZIONE DELL'ALTEZZA DEL SEDILE

È possibile posizionare il sedile ad altezze differenti. Vedere figura 19.

1. Rimuovere il sedile e il gruppo batteria dal miniscooter.
2. Utilizzare l'anello apposito per tirare ed estrarre il perno di blocco dal piantone del sedile inferiore.
3. Sollevare o abbassare il piantone del sedile superiore all'altezza desiderata per la seduta.
4. Mantenendo il piantone del sedile superiore a quell'altezza, allineare i fori di posizionamento del piantone superiore con quelli del piantone inferiore.
5. Inserire il perno di blocco fino in fondo.
6. Rimuovere il sedile e il gruppo batteria dal miniscooter.

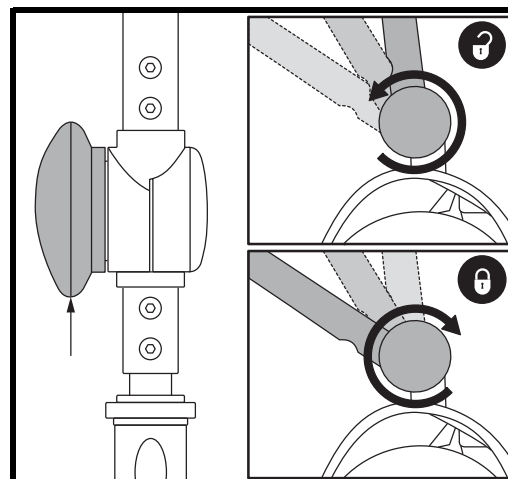


Figura 17. Regolazione manubrio

CODICE DI IDENTIFICAZIONE

1. Manopola di regolazione del bracciolo
2. Perno di blocco
3. Base sedile

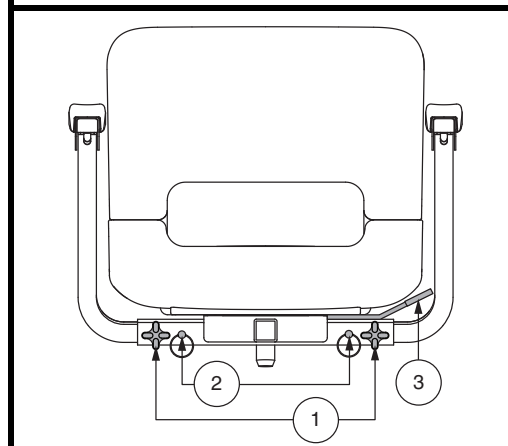


Figura 18. Regolazioni del sedile

CODICE DI IDENTIFICAZIONE

1. Piantone del sedile superiore
2. Piantone del sedile inferiore
3. Perno di blocco

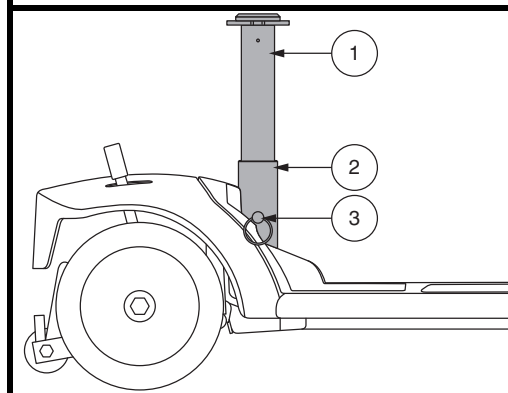


Figura 19. Regolazione dell'altezza del sedile

V. REGOLAZIONI DI COMODITÀ

REGOLAZIONE DELLA SOSPENSIONE DELLA SELLA (SE FORNITA)

Il reggisella agisce da ammortizzatore e può essere regolato per diversi gradi di confort di marcia. Utilizzare le viti di fermo, visibili attraverso la finestrella di regolazione sul lato del montante, come guida per eseguire la regolazione. Far scorrere la protezione di gomma verso la parte superiore del montante per rendere visibili le viti di fermo. **Vedere figura 20.**

Eseguire la regolazione del reggisella:

1. Togliere la sella da Travel Scooter.
2. Rimuovere il montante della sella da Travel Scooter staccando il perno di fermo dalla parte inferiore del reggisella, poi sollevare il montante ed estrarlo da Travel Scooter. **Vedere figura 19.**
3. Inserire una presa da 13 mm con prolunga sul fondo del montante. **Vedere figura 20.**
4. Ruotare in senso orario per più morbida la seduta durante la marcia, o ruotare in senso antiorario per irrigidirla.
5. Rimontare reggisella e sella.

CINTURE DI SICUREZZA (OPZIONALE)

La seduta del miniscooter può essere dotata di cinture di sicurezza regolabili per maggiore comodità. **Vedere figura 21.** La cintura di sicurezza è stata progettata per garantire un maggiore supporto all'utente ed evitare che scivoli in avanti o indietro sulla seduta. La cintura di posizionamento non è concepita come dispositivo di contenimento.



AVVERTENZA! La cintura di posizionamento deve essere sempre ben fissata. Evitare che rimanga pendente o venga trascinata per terra in quanto potrebbe impigliarsi.

Montaggio cinture di sicurezza (se richiesto):

1. Sollevare la seduta dal miniscooter.
2. Posizionare la seduta a testa in giù per poter lavorare sulla base della seduta. **Vedere figura 21.**
3. Svitare i bulloni nella parte posteriore della seduta.
4. Infilare le apposite estremità delle cinture di sicurezza nei bulloni posteriori e reinserire i bulloni e la cintura sul sedile.
5. Stringere i bulloni.

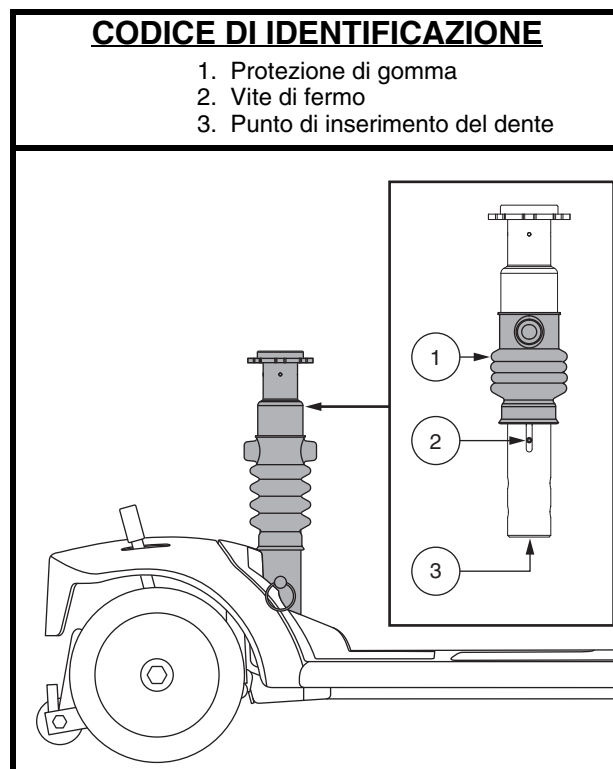


Figura 20. Regolazione della sospensione della sella

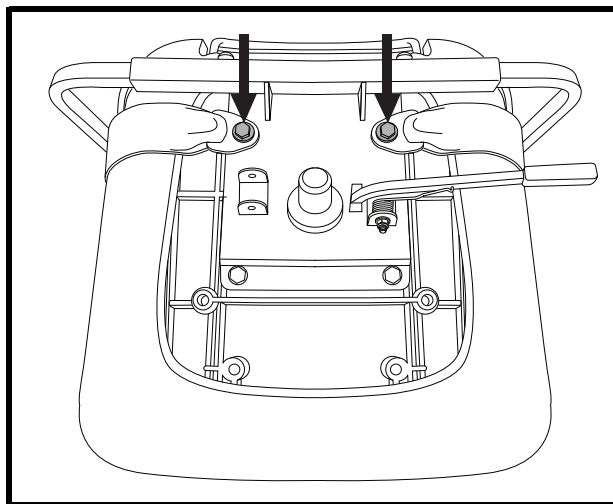


Figura 21. Bulloni per cinture di sicurezza

V. REGOLAZIONI DI COMODITÀ

Cintura di sicurezza con aggancio metallico

Per regolare la comodità delle cinture di sicurezza:

1. Inserire il gancio metallico del lato destro della cintura nella chiusura di plastica al lato opposto spingendo fino a sentire un "click". **Vedere figura 22.**
2. Tirare la parte destra della cinghia per verificarne l'effettiva chiusura e bloccaggio, senza stringerla troppo.

Per rilasciare la cintura di posizionamento:

1. Premere il meccanismo a pulsante sull'alloggiamento di plastica.

Cintura di sicurezza con gancio riutilizzabile e velcro

Per regolare la comodità delle cinture di sicurezza:

1. Allineare le due parti della cintura ponendo la parte con il velcro direttamente sopra il lato di adesione ("gancio") dell'altra parte. Premere per bloccare. **Vedere figura 23.**

Per rilasciare la cintura di posizionamento:

1. Afferrare la parte della cintura con il velcro e tirarla verso l'alto per staccarla dall'altra parte.

OBBLIGATORIO! Verificare il corretto montaggio delle cinture di sicurezza sul miniscoter e che siano regolate comodamente prima di ogni utilizzo.



OBBLIGATORIO! Prima di ogni utilizzo dello scooter, controllare che la cintura di sicurezza non presenti componenti allentate o danni, tra cui strappi, segni di usura, parti metalliche piegate, o meccanismi di chiusura danneggiati, sporchi o rotti. In caso di problemi, contattare il fornitore autorizzato per la manutenzione e riparazione.

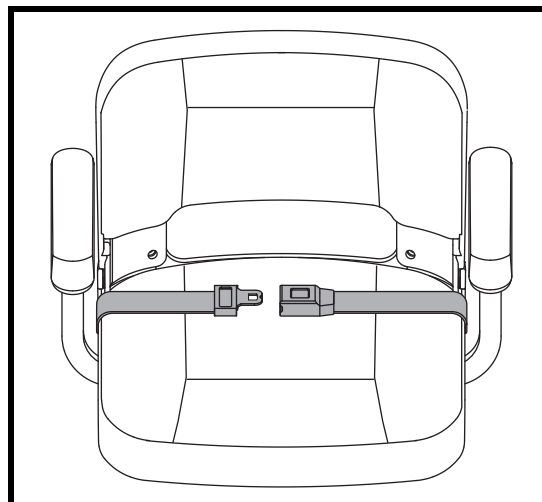


Figura 22. Cinture di sicurezza - Cintura di sicurezza con aggancio metallico

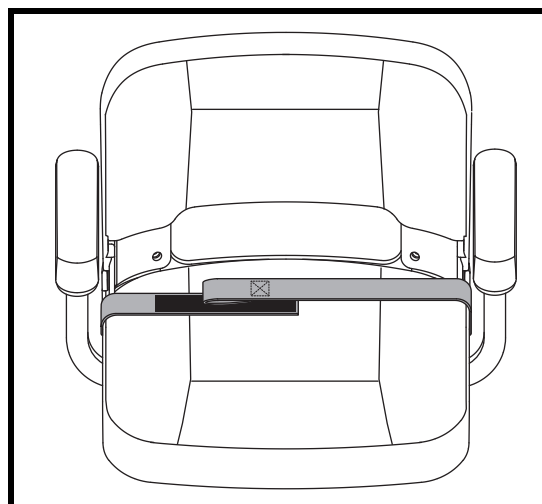


Figura 23. Cinture di sicurezza - Cintura di sicurezza con gancio riutilizzabile e velcro

VI. SMONTAGGIO E MONTAGGIO

SMONTAGGIO

È possibile smontare il miniscooter in diversi pezzi: sedile, sezione posteriore, sezione anteriore, the cestello, batterie e scocca posteriore (solo modelli 83 e 84). **Vedere figura 24.** Per montare o smontare il miniscooter non sono necessari strumenti, tuttavia è opportuno ricordare che le parti smontate del miniscooter richiedono più spazio rispetto a quando sono montate. Smontare o montare sempre il miniscooter su una superficie uniforme e asciutta con spazio sufficiente per poter lavorare e muoversi — circa 1,5 metri in tutte le direzioni. Ricordare che alcune componenti del miniscooter sono pesanti e può essere necessaria assistenza per sollevarle.



AVVERTENZA! Non sollevare pesi oltre la propria capacità fisica. Se necessario, richiedere assistenza prima di eseguire lo smontaggio del miniscooter.

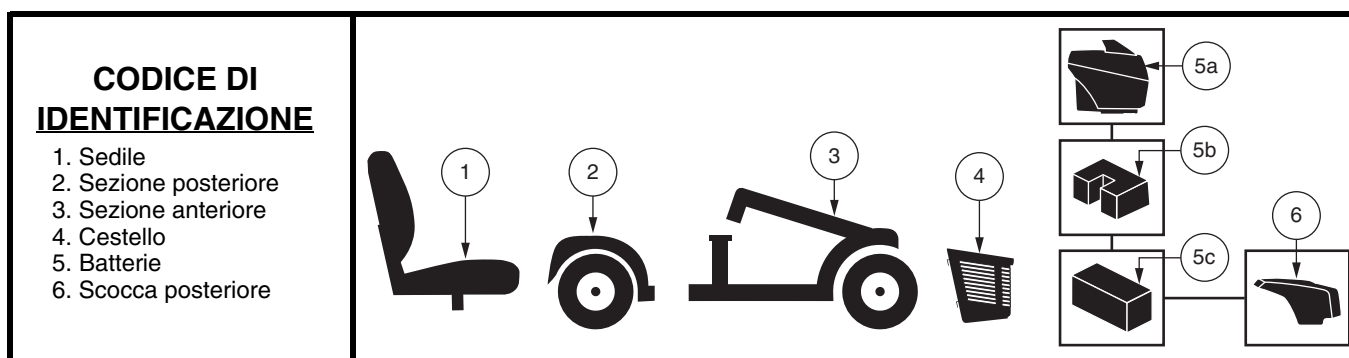


Figura 24. Miniscooter smontato

Procedure di smontaggio - Modelli 36, 83 e 84

1. Estrarre la chiave dall'apposito interruttore.
2. Bloccare il manubrio in posizione diritta in avanti spingendo la manopola di blocco del manubrio e ruotandola in senso orario di 90°. **Vedere figura 25.** La ruota anteriore deve essere rivolta in avanti per bloccare il manubrio.
3. Rimuovere il sedile sollevandolo verso l'alto e togliendolo dal miniscooter. In caso di resistenza nella rimozione del sedile, disattivare la leva di rotazione del sedile e girare il sedile avanti e indietro mentre lo si solleva.
4. Sollevare delicatamente la scocca della batteria e staccarla dal miniscooter. (solo modelli 83 e 84).
5. Scollegare la fascetta di fissaggio delle batterie. **Vedere figura 16.**
6. Collegare il cavo anteriore-posteriore. **Vedere figura 16.**
7. Scollegare la fascetta di fissaggio delle batterie. (solo modelli 83 e 84). **Vedere figura 16.**
8. Rimuovere il gruppo batteria dal miniscooter sollevandola verso l'alto ed estraendola dal miniscooter.

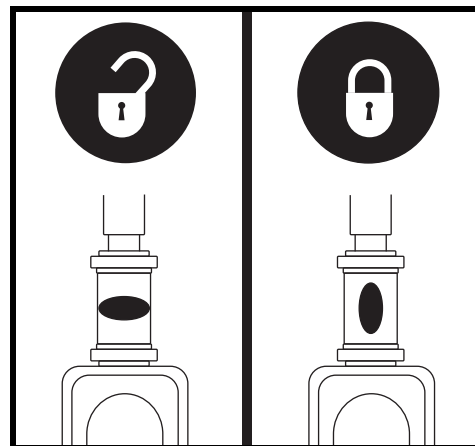


Figura 25. Bloccasterzo

Procedure di smontaggio - Modelli 40X, 44X, 40E, 44E, 40LX, 44LX, 50LX, 54LX, 53, 53HD, 54, 54HD, 73 e 74

1. Estrarre la chiave dall'apposito interruttore e bloccare il manubrio in posizione diritta in avanti spingendo la manopola di blocco del manubrio e ruotandola in senso orario di 90°. **Vedere figura 25.** La ruota anteriore deve essere rivolta in avanti per bloccare il manubrio.
2. Rimuovere il sedile sollevandolo verso l'alto e togliendolo dal miniscooter. In caso di resistenza nella rimozione del sedile, disattivare la leva di rotazione del sedile e girare il sedile avanti e indietro mentre lo si solleva.
3. Rimuovere il gruppo batteria dal miniscooter sollevandola verso l'alto ed estraendola dal miniscooter.

VI. SMONTAGGIO E MONTAGGIO

NOTA: Controllare la tabella delle caratteristiche di Travel Scooter sulla pagina di 125 per determinare se il mezzo dispone di una leva di sgancio del telaio, o di un perno di chiusura, prima di cercare di smontarlo.

Separazione telaio

1. Dopo aver tolto sella e pacco batteria (vedere la procedura di smontaggio alla pagina precedente), abbassare il manubrio e stringere la manopola di regolazione del manubrio. **Vedere figura 17.**
2. Rimuovere il perno di chiusura. (Solo modelli 83 e 84.)
3. Sollevare la leva di rilascio del telaio, (**O, Sollevare il pistone per modelli 36, 83 e 84**) e ruotare all'indietro la sezione posteriore, fino a quando i ganci del telaio non sono più posati sul tubo del telaio inferiore.
4. Separare lentamente le due sezioni del miniscooter. **Vedere figura 26.**

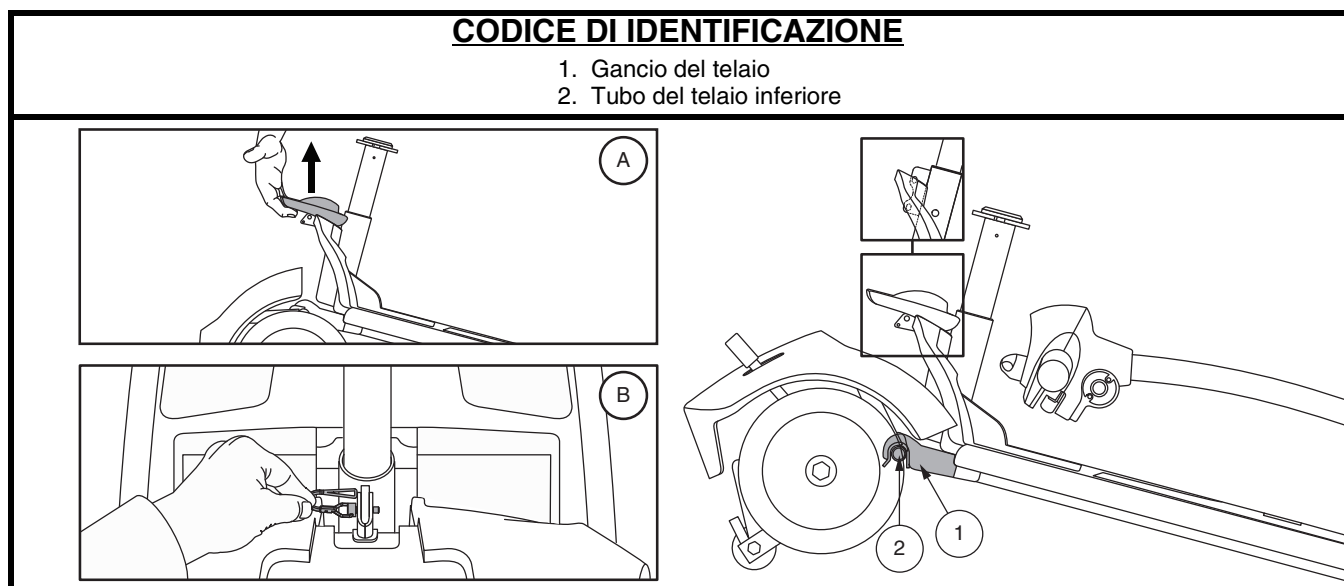


Figura 26. Leva di rilascio del telaio (Stile A) e Perna di chiusura del telaio (Stile B)

MONTAGGIO

NOTA: Prima di effettuare il montaggio, inclinare la metà posteriore del miniscooter leggermente all'indietro sulle ruote antiribaltamento, come illustrato nella figura 26.

1. Usare la leva di rilascio del telaio (o la piantone del sedile per modelli 36, 83 e 84) per sollevare la parte anteriore mentre si allineano i ganci del telaio della parte anteriore con il tubo del telaio inferiore della sezione posteriore. **Vedere figura 26.**
2. Una volta che i ganci del telaio sono sopra il tubo del telaio inferiore, abbassare la sezione anteriore e ruotare contemporaneamente la sezione posteriore. Questa operazione aggancia automaticamente la chiusura del telaio nei modelli 40X, 44X, 40E, 44E, 40LX, 44LX, 50LX, 54LX, 53, 53HD, 54, 54HD, 73 e 74. Nei modelli 36, 83 e 84, è necessario inoltre reinstallare il perno di chiusura del telaio per completare il montaggio del corpo. **Vedere figura 26.**
3. Sollevare il manubrio e stringere completamente la manopola di regolazione del manubrio. **Vedere figura 17.**
4. Reinstallare il gruppo della batteria. Nei modelli 36, 83 e 84, assicurarsi di ricollegare la batteria e i cavi dalla parte anteriore a quella posteriore.
5. Riposizionare il sedile e bloccarlo.
6. Sbloccare la ruota anteriore ruotando il manubrio di 90° in senso antiorario. **Vedere figura 25.**



AVVERTENZA! Dopo il montaggio, accertarsi assolutamente che la manopola di blocco del manubrio sia in posizione di sblocco prima di guidare il miniscooter.

VII. RISOLUZIONE DEI PROBLEMI

Tutti i dispositivi elettromeccanici possono presentare problemi occasionali. Tuttavia la maggior parte dei problemi riscontrati può essere solitamente risolta con un pò di riflessione e di buon senso. Molti problemi si verificano perchè le batterie non sono completamente cariche oppure, essendo usurate, non mantengono più la carica.

CODICI ACUSTICI DI DIAGNOSTICA

I codici acustici di diagnostica del miniscooter sono previsti per l'esecuzione delle risoluzioni di base in maniera semplice e rapida. Un codice acustico di diagnostica suona nel caso in cui si verifichi una delle condizioni sotto elencate. A seconda del modello, miniscooter comunica attraverso una delle codifiche seguenti:

1. Un codice acustico inizia con una serie di bip veloci, seguiti da bip più lenti che indicano il codice effettivo. Il codice acustico è emesso solo una volta. Per ripeterlo, togliere la chiave, reinserirla e ruotarla in posizione "on", **O**
2. Un codice acustico indica la condizione, seguito da una pausa, poi viene ripetuto. Il codice acustico continua l'avvertimento in questo modo, fino allo spegnimento dello scooter.

NOTA: Il miniscooter non funziona fino a quando non si risolve la condizione del codice di errore e sia stato spento e poi riacceso.

CODICE ACUSTICO	CONDIZIONE	SOLUZIONE
■ (1)	La batteria è scarica.	Caricare le batterie appena possibile.
■■ (2)	La batteria è quasi scarica.	Caricare le batterie.
■■■ (3)	La tensione della batteria del miniscooter è troppo alta per il funzionamento del miniscooter, oppure il caricatore è ancora collegato alla porta del caricatore.	Scollegare il caricatore e/o portare la chiave su off, quindi nuovamente su on. Se si viaggia in discesa, ridurre al minimo la velocità di miniscooter.
■■■■ (4)	Fine tempo limite corrente.	Spegnere il miniscooter per alcuni minuti, poi riaccendere il miniscooter.
■■■■■ (5)	La leva di sblocco ruote manuale è in posizione di sblocco.	Estrarre la chiave dall'apposito interruttore, spingere la leva di sblocco ruote manuale in posizione di guida, quindi riattivare il miniscooter.
■■■■■■ (6)	La leva dell'acceleratore non è in posizione centrale all'avvio.	Verificare che le batterie siano completamente cariche. Se le batterie sono completamente cariche, riportare la leva dell'acceleratore in posizione centrale, spegnere il miniscooter, quindi riaccendere il miniscooter.
■■■■■■■ (7)	Errore velocità.	Contattare il proprio rivenditore autorizzato per assistenza.
■■■■■■■■ (8)	Errore volt motore.	Contattare il proprio rivenditore autorizzato per assistenza.
■■■■■■■■■ (9)	Altri errori interni.	Contattare il proprio rivenditore autorizzato per assistenza.

VII. RISOLUZIONE DEI PROBLEMI

Perchè il miniscooter non si muove quando premo la leva dell'acceleratore?

- Quando la leva di sblocco ruote manuale è spinta in avanti, i freni sono disattivati e l'alimentazione al motore/differenziale è interrotta.
- Tirare indietro la leva di sblocco ruote manuale, spegnere il miniscooter e quindi riaccenderlo per tornare al normale funzionamento.

Tutti i sistemi del miniscooter sembrano "morti".

- Verificare che la chiave sia in posizione "on".
- Controllare che le batterie siano completamente cariche.
- Premere il pulsante di reset dell'interruttore di rete principale. Vedere il paragrafo III. "Il Tuo Miniscooter".
- Verificare che il pacco batteria sia posizionato correttamente.
- Verificare che i due gruppi batteria e il gruppo anteriore-posteriore siano saldamente collegati. (Solo modelli 83 e 84.)
- Verificare che la funzione di timer di spegnimento non sia stata attivata. Vedere il paragrafo IV. "Utilizzo".
- Controllare il fusibile della console del manubrio ubicato sotto il gruppo batteria.

Per controllare un fusibile:

1. Rimuovere il fusibile estraendolo dalla fessura corrispondente.
2. Esaminare il fusibile per accertarsi che sia bruciato. **Vedere figura 27.**
3. Inserire un nuovo fusibile della frequenza adeguata.



AVVERTENZA! Il fusibile di ricambio deve corrispondere esattamente alla frequenza di quello vecchio. La mancata osservanza di questa direttiva può causare danni al sistema elettrico.

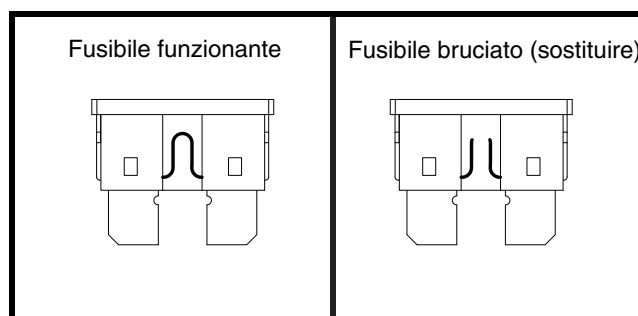


Figura 27. Sostituzione del fusibile

VII. RISOLUZIONE DEI PROBLEMI

Perchè le batterie del miniscooter non si ricaricano?

- Controllare il fusibile posto sulla parte sul gruppo batteria o inferiore della console della barra. Sostituire se necessario.
- Durante il processo di ricarica, se i LED del caricatore non indicano mai una ricarica completa, controllare il fusibile ubicato sul gruppo batteria o inferiore della console della barra. Sostituire se necessario, o far controllare e/o sostituire il fusibile dal fornitore autorizzato o da un tecnico specializzato.
- Accertarsi che entrambe le estremità del cavo di alimentazione del caricatore siano inserite a fondo.
- Se il fusibile della console brucia continuamente, contattare il fornitore autorizzato per assistenza.

L'interruttore di rete principale scatta ripetutamente.

- Se l'interruttore del circuito principale si attiva ripetutamente consultare il proprio fornitore autorizzato per assistenza.
- Caricare le batterie del miniscooter più frequentemente. Vedere il paragrafo III. "Batterie e ricarica".
- Se il problema persiste, fare eseguire un controllo della carica delle batterie del miniscooter dal fornitore autorizzato.
- È anche possibile eseguire da soli il test di carica. Gli strumenti per il test di carica della batteria sono disponibili nei negozi specializzati per automobili.
- Seguire le indicazioni fornite con lo strumento di test di carica.
- Vedere il paragrafo III. "Batterie e ricarica" o "Foglio delle specifiche tecniche" per le informazioni sul tipo di batteria del miniscooter.

L'indicatore dello stato della batteria scende e il motore fa fatica quando si preme la leva di controllo dell'acceleratore.

- Ricaricare completamente le batterie del miniscooter. Vedere il paragrafo III. "Batterie e ricarica".
- Far eseguire un test di carica di ciascuna batteria dal fornitore.
- Oppure, consultare la precedente domanda sulla risoluzione dei guasti per testare di carica delle batterie da soli.

In caso di problemi del miniscooter irrisolvibili, contattare il fornitore autorizzato per informazioni, manutenzione e assistenza.

VIII. CURA E MANUTENZIONE

Il miniscooter richiede una quantità minima di cura e manutenzione. Nel caso in cui l'utente non si sente in grado di eseguire le operazioni di manutenzione elencate di seguito, è possibile programmare la verifica e la manutenzione con il proprio fornitore autorizzato. Le aree seguenti richiedono verifica e/o cura e manutenzione periodiche.

PRESSIONE DELLE GOMME

Ispezionare regolarmente i pneumatici del miniscooter per segni di usura.

SOSTITUZIONE DELLE RUOTE

Del miniscooter è dotato di pneumatici pieni. In caso di danni o di usura, è necessario sostituire l'intera ruota. Contattare il vostro rivenditore per informazioni relative alla sostituzione delle ruote del Vostro miniscooter.



AVVERTENZA! Le ruote del miniscooter devono essere mantenute/sostituite esclusivamente da un tecnico qualificato.

AVVERTENZA! Accertare che la chiave sia stata rimossa dall'interruttore e che il miniscooter non sia in modalità di sblocco ruote prima di eseguire questa procedura.

Seguire le seguenti semplici indicazioni per una riparazione sicura e veloce delle ruote piene:

1. Rimuovere la chiave di accensione dall'interruttore a chiave e verificare che il miniscooter non sia in modalità di sblocco ruote.
2. Sollevare il lato del miniscooter del quale si rimuove il pneumatico. Posizionare blocchi di legno sotto il telaio per sollevare il miniscooter.
3. Rimuovere il cappuccio, dado e rondelle dall'assale della ruota. Vedere figura 28.
4. Sfilare la ruota dall'assale.
5. Infilare la ruota nell'asse. Verificare che la chiave sia nell'apposita fessura.



AVVERTENZA! Assicurarsi che la chiave dell'assale sia installata correttamente nell'apposito alloggiamento quando si monta la ruota. Se non è installata saldamente, l'impianto frenante è disinserita e ciò può causare lesioni personali e/o provocare danni al prodotto.

6. Reinstallare il dado e rondelle sull'assale e stringere.



AVVERTENZA! Assicurarsi che il dado e la rondella siano serrati e reinstallati correttamente.

7. Rimuovere il blocco da sotto il miniscooter.

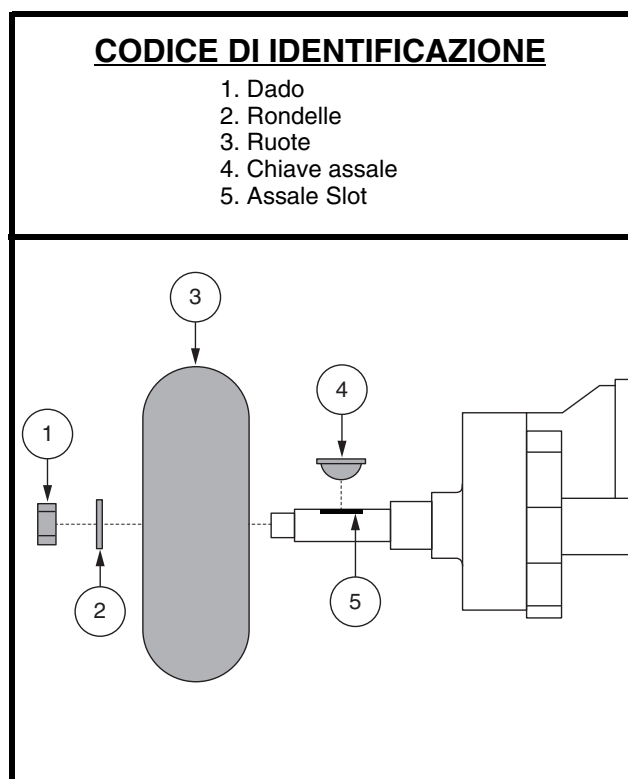


Figura 28. Rimozione di ruote a gomma solida

VIII. CURA E MANUTENZIONE

SUPERFICI ESTERNE

L'occasionale applicazione di un balsamo per plastica o gomma può essere vantaggiosa per paraurti, gomme e bordo.



AVVERTENZA! Non usare il balsamo per gomma o plastica sul sedile del miniscooter o sul battistrada. Possono diventare pericolosamente scivolosi.

PULIZIA E DISINFEZIONE

- Usare un panno umido e un detergente neutro e non abrasivo per pulire le parti di plastica e metallo del miniscooter. Evitare l'uso di prodotti che possono graffiare la superficie del miniscooter.
- Se necessario, pulire il prodotto con un disinfettante approvato. Verificare che il disinfettante sia sicuro per l'uso prima dell'applicazione.



AVVERTENZA! Seguire tutte le istruzioni di sicurezza per uso idoneo del disinfettante prima di applicarlo al prodotto. La mancata osservanza può causare irritazione cutanea o deterioramento prematuro dell'imbottitura e/o delle vernici del miniscooter.

CONNETTORI TERMINALI BATTERIE

Verificare che le connessioni dei terminali rimangano strette e non siano corrose.

CABLAGGIO

- Controllare regolarmente tutti i collegamenti elettrici.
- Controllare regolarmente gli isolamenti elettrici per usura o danni, compreso il cavo di alimentazione del caricatore.
- Fare eseguire le riparazioni o le sostituzioni di qualsiasi connettore danneggiato, collegamento o isolamento dal proprio fornitore autorizzato prima di riutilizzare il miniscooter.



PROIBITO! Anche se il miniscooter ha superato i test richiesti, tenere le connessioni elettriche lontane da fonti quali esposizione diretta all'acqua o corpi liquidi e incontinenze. Controllare con una certa frequenza le componenti elettriche per eventuali segni di corrosione e conseguenti sostituzioni dove necessario.



AVVERTENZA! Non tirare direttamente i cavi elettrici per staccarli dal miniscooter. Afferrare sempre il connettore quando si scollegano i cavi, onde evitare danni.

SCUDI IN PLASTICA ABS

I pezzi degli scudi sono composti di plastica resistente e sono rivestiti con vernice di uretano di formula avanzata. Una leggera applicazione di cera per auto mantiene la lucentezza degli scudi.

SUPPORTI ASSE E GRUPPO MOTORE/DIFFERENZIALE

Questi elementi sono prelubrificati, sigillati e non richiedono alcuna lubrificazione successiva.

SPAZZOLE MOTORE

Le spazzole motore sono alloggiato all'interno del gruppo motore/differenziale. Devono essere periodicamente ispezionate per usura dal rivenditore autorizzato.

CONSOLE, CARICATORE E COMPONENTI ELETTRONICI ANTERIORI

- Mantenere queste aree libere da umidità.
- Lasciare asciugare completamente queste aree se sono state esposte a umidità prima di usare nuovamente il miniscooter.

VIII. CURA E MANUTENZIONE

SOSTITUZIONE DEL DADO DI BLOCCO IN NYLON

Tutte le guarnizioni dei dadi di sicurezza rimosse durante lo smontaggio o il controllo del miniscooter dovranno essere sostituite con nuove guarnizioni. Le guarnizioni dei dadi di sicurezza non dovranno essere riutilizzate in quanto potrebbero causare danni e comportare un utilizzo meno sicuro del mezzo. Le guarnizioni dei dadi di sicurezza sono in vendita nei negozi di ferramenta o presso i Vostri Rivenditori autorizzati.

CONSERVAZIONE DEL MINISCOOTER

Se si prevede di non utilizzare il miniscooter per un lungo periodo di tempo, è meglio:

- Caricare completamente le batterie prima dell'immagazzinaggio.
- Scollegare le batterie dal miniscooter.
- Conservare il miniscooter in un ambiente caldo e secco.
- Evitare di conservare il miniscooter in luoghi dove può essere esposto a temperature estreme.
- Temperatura di conservazione consigliata: da -75°C/-104°F a 70°C/158°F.

Le batterie scaricate a fondo regolarmente e caricate di rado, conservate a temperature estreme, o conservate senza effettuare ricariche complete, possono essere danneggiate in maniera permanente, con conseguente inaffidabilità e limitata durabilità. Si raccomanda di caricare le batterie periodicamente in caso di magazzinaggio prolungato per garantire prestazioni adeguate.



AVVERTENZA! Proteggere sempre le batterie dal congelamento e non caricare mai una batteria congelata. Ciò danneggia la batteria.

Per magazzinaggio prolungato, è possibile posizionare diverse tavole sotto il telaio del miniscooter per sollevarla da terra. Ciò libera i pneumatici dal peso e riduce la possibilità di formazione di punti piatti nelle aree di contatto dei pneumatici con il suolo.

SMALTIMENTO DEL MINISCOOTER

Il miniscooter deve essere smaltito in conformità con le leggi e le normative locali e nazionali in vigore. Contattare l'ente locale per lo smaltimento dei rifiuti oppure il rivenditore autorizzato per le informazioni sul corretto smaltimento dei materiali di imballo del miniscooter, delle componenti metalliche del telaio, delle componenti di plastica, della parte elettronica e delle batterie, neoprene, silicone, e materiali di poluretano.



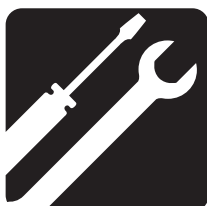
MONTAJE



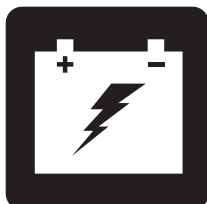
FUNCIONAMIENTO



CONFORT



MANTENIMIENTO



BATERÍAS Y SU CARGA



TRAVEL SCOOTER SERIE

MANUAL DE USUARIO

CUADRO DE CARACTERÍSTICAS GENERALES

Modelo	Consola del manillar				Tipo de baterías			Baterías y su carga		Bloqueo de la estructura		Opciones *		
	A	B	C	D	A	B	C	Unidad encendida	Unidad apagada	A (Palanca de extracción)	B (Chaveta de bloqueo)	Suspensión del asiento	Iluminación	Paneles de la carrocería
36	•					•		•	•		•			
40X	•				•			•	•	•				
44X	•				•			•	•	•				
40E		•	•AU only		•			•	•	•				•
44E		•	•AU only		•			•	•	•				•
40LX				•	•			•	•	•		•	•	•
44LX				•	•			•	•	•		•	•	•
50LX				•	•			•	•	•			•	•
54LX				•	•			•	•	•			•	•
53			•		•			•	•	•				•
53HD			•		•			•	•	•				•
54			•		•			•	•	•		•		•
54HD			•		•			•	•	•				•
73				•	•			•	•	•		•	•	•
74				•	•			•	•	•		•	•	•
83		•					•	•			•			
84		•					•	•			•			

***NOTA:** Las opciones del Travel Scooter pueden variar en función del país. Póngase en contacto con su proveedor para determinar las opciones disponibles para su Travel Scooter.

NOTA: Intente memorizar el número de modelo de su Travel Scooter, que podrá encontrar en la hoja de especificaciones del producto incluida en el paquete. A lo largo de este manual de usuario, las características del Travel Scooter aparecen identificadas con un número de modelo (primera columna de la izquierda del Cuadro de Características Generales). Al conocer el número de modelo de su unidad podrá determinar las características particulares y exclusivas de su Travel Scooter.

USO INDICADO

El uso indicado del vehículo Travel Scooter es facilitar la movilidad de personas confinadas a una silla de ruedas pero con capacidad para manejar un scooter.

NOTA: El presente manual de instrucciones recoge las últimas especificaciones e informaciones disponibles en el momento de su publicación. Nos reservamos el derecho a aportar modificaciones en caso necesario. Cualquier modificación en nuestros productos puede provocar ligeras variaciones entre las ilustraciones y explicaciones de esta guía y el producto que ha comprado. En nuestro sitio web encontrará la versión última/actual de este manual.

NOTA: Este producto cumple las directivas y normativas WEEE, RoHS y REACH.

NOTA: Este producto cumple con la clasificación IPX4 (IEC 60529).

NOTA: Ni Travel Scooter ni sus componentes están fabricados con látex de goma natural. Consulte al fabricante con respecto a cualquier accesorio o pieza de repuesto.



ÍNDICE

CONSIGNAS DE SEGURIDAD	157
I. SEGURIDAD	158
II. SU TRAVEL SCOOTER	160
III. BATERÍAS Y SU CARGA	167
IV. FUNCIONAMIENTO	173
V. OPTIMIZAR EL CONFORT	175
VI. DESMONTAJE/MONTAJE	178
VII. RESOLUCIÓN DE PROBLEMAS	180
VIII. CUIDADO Y MANTENIMIENTO	182

CONSIGNAS DE SEGURIDAD



¡ADVERTENCIA! Un proveedor autorizado o un técnico cualificado deberá realizar la configuración inicial del scooter, así como cualquier otro procedimiento de este manual.

Los símbolos que se muestran a continuación son utilizados en este manual y en el scooter para identificar advertencias y avisos importantes. Asegúrese de que los ha leído y comprendido perfectamente.



¡ADVERTENCIA! Indica una situación o circunstancia potencialmente peligrosa. De no seguir los procedimientos indicados, podría provocar en usted o en terceros lesiones físicas, y daños o averías en el material. En el producto, este icono tiene forma de símbolo negro en un triángulo amarillo con borde negro.



¡OBLIGATORIO! Pasos que deben realizarse tal y como se indica. De no realizar las acciones obligatorias, podría sufrir lesiones o daños en el material. En el producto, este icono tiene forma de símbolo blanco sobre un círculo azul con borde blanco.



¡PROHIBIDO! Estas acciones están prohibidas, cualquiera que sea el tiempo o las circunstancias. La realización de acciones prohibidas puede provocar lesiones personales o daños en el material. En el producto, este icono tiene forma de símbolo negro con un círculo y raya rojos.

I. SEGURIDAD

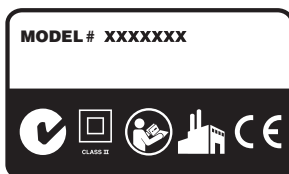
SÍMBOLOS DE SEGURIDAD

Estos símbolos aparecen en su Travel Scooter y sirven para identificar advertencias, acciones obligatorias o prohibidas. Asegúrese de que los ha leído y comprendido perfectamente.

NOTA: En la *Guía de Seguridad del Usuario* suministrada con su Travel Scooter encontrará la explicación de otras advertencias de uso. Familiarícese con todas las advertencias de uso y otra información de seguridad indicadas en la *Guía de Seguridad del Usuario* y remítase regularmente a esta fuente.



Lea con atención la información del manual de usuario.



Etiqueta de información del Scooter.



Antes de empezar a manejarlo, cargue completamente las baterías.

Quite la llave del Travel Scooter si no lo está utilizando.



Indica los puntos de amarre del Travel Scooter.



No cumple la normativa 7176-19 sobre vehículos de transporte ocupados dentro de un vehículo a motor. No permanezca sentado en su Travel Scooter mientras viaja en un vehículo a motor.



Fabricado en.

I. SEGURIDAD

GENERAL



¡OBLIGATORIO! Antes de utilizar su Travel Scooter por primera vez, lea y siga todas las instrucciones de este manual y de la Guía de Seguridad del Usuario.

Este Travel Scooter es un dispositivo que incorpora las últimas tecnologías tendentes a aumentar su movilidad. Nos ofrecemos una amplia gama de productos ajustados a sus necesidades particulares. Recuerde que la decisión final acerca de la compra de un determinado tipo de Travel Scooter es responsabilidad exclusiva del usuario de dicho Travel Scooter, capaz de tomar tal decisión, y de su profesional sanitario (por ej. médico, terapeuta, etc.).

El contenido de este manual está supeditado a los ajustes realizados por un experto en tales dispositivos para adaptarlo al usuario, habiendo asistido al profesional sanitario prescriptor o al proveedor autorizado en lo que respecta a la asistencia para la utilización de este producto.

Existen determinadas situaciones, como algunas enfermedades, para las que será obligatoria la presencia de una persona debidamente cualificada durante el manejo del Travel Scooter. Esta persona encargada podrá ser un miembro de la familia o un asistente sanitario especialmente preparado para ayudarle en las tareas diarias que realice mientras utiliza el Travel Scooter.

Al empezar a utilizar el Travel Scooter, probablemente se encuentre con situaciones para las que necesite una mayor práctica. Tómese el tiempo necesario. Pronto sentirá una mayor confianza y control en el manejo a través de puertas, al girar en curvas o al entrar o salir de ascensores, rampas o en superficies irregulares.

El producto viene con otra información de carácter general, hojas de datos técnicos y otros folletos comerciales. Lea detenidamente y revise toda la información y guárdela en un lugar seguro para consultas futuras.

Seguidamente, se muestran algunas precauciones, trucos y otras consignas de seguridad que le ayudarán a familiarizarse con el funcionamiento de su Travel Scooter.

INSPECCIÓN DE SEGURIDAD PREVIA

Familiarícese con su Travel Scooter y sus funciones. Recomendamos que realice una inspección previa de seguridad para confirmar que su Travel Scooter funciona de manera correcta y segura.

Antes de utilizar el Travel Scooter, inspeccione lo siguiente:

- Verifique el estado de las ruedas. Asegúrese de que no estén dañadas ni demasiado gastadas.
- Compruebe todas las conexiones eléctricas. Asegúrese de que estén tensas y sin corrosión.
- Compruebe todas las conexiones del regulador al panel eléctrico. Asegúrese de que estén bien tensadas.
- Compruebe los frenos y asegúrese de que funcionen correctamente.
- Compruebe el indicador de nivel de batería para asegurarse de que las baterías estén totalmente cargadas.
- Compruebe que la palanca manual está en el modo conducción antes de sentarse en el Travel Scooter.

Si encuentra algún problema, póngase en contacto con su proveedor autorizado. Consulte la hoja de información de contacto suministrada con el producto.

II. SU TRAVEL SCOOTER

CONSOLA DEL MANILLAR

En la consola del manillar están ubicados todos los controles necesarios para manejar el Travel Scooter: cerradura de contacto, palanca aceleradora, claxon, regulador de velocidad e indicador de batería. Consulte el Cuadro de características generales en la página 156 para determinar cuál es la figura de consola correspondiente a su modelo. (fig. 1 a 4).



¡PROHIBIDO! No deje que la consola se humedezca. Si la consola estuviera humedecida, espere hasta que se seque completamente antes de manejar el Travel Scooter.

CLAVES DE IDENTIFICACIÓN PARA LAS FIGURAS 1 A 4

- | | |
|---------------------------|---|
| 1. CLAXON | 6. TOMO DE ALIMENTACION DEL CARGADOR
(PUERTO DEL MANILLAR) |
| 2. CERRADURA DE CONTACTO | 7. FUSIBLE DE CARGADOR EXTERNO |
| 3. INDICADOR DE BATERIA | 8. FUSIBLE DE ILUMINACIÓN |
| 4. REGULADOR DE VELOCIDAD | 9. INTERRUPTOR DE ILUMINACIÓN |
| 5. PALANCA ACELERADORA | |

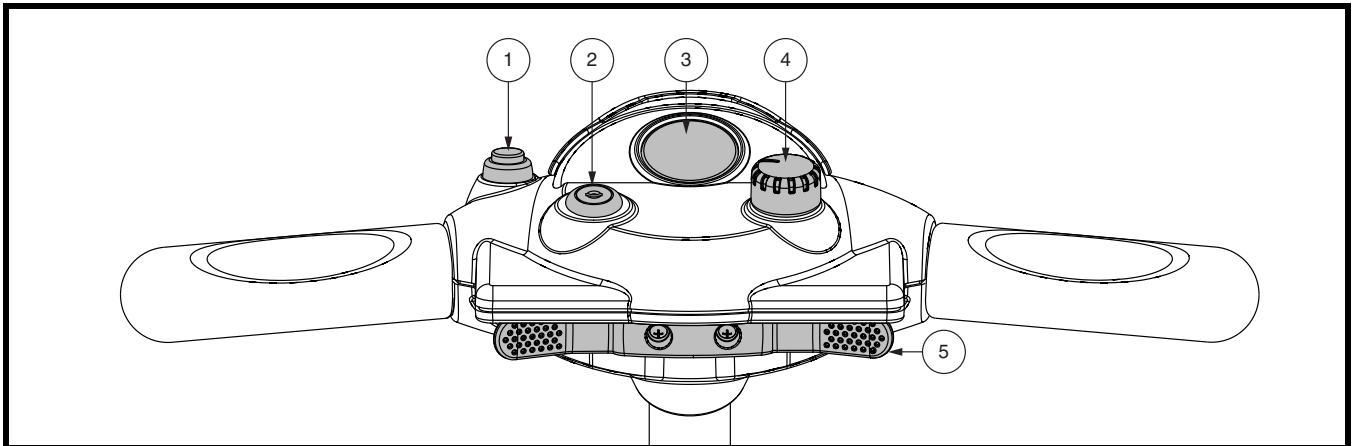


Figura 1. Consola del manillar A

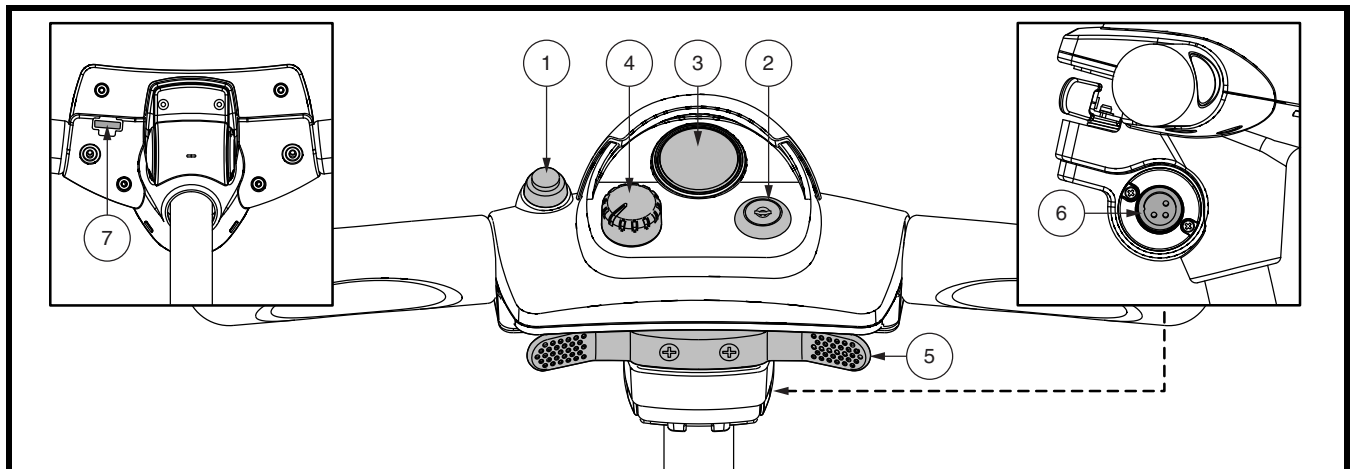


Figura 2. Consola del manillar B

II. SU TRAVEL SCOOTER

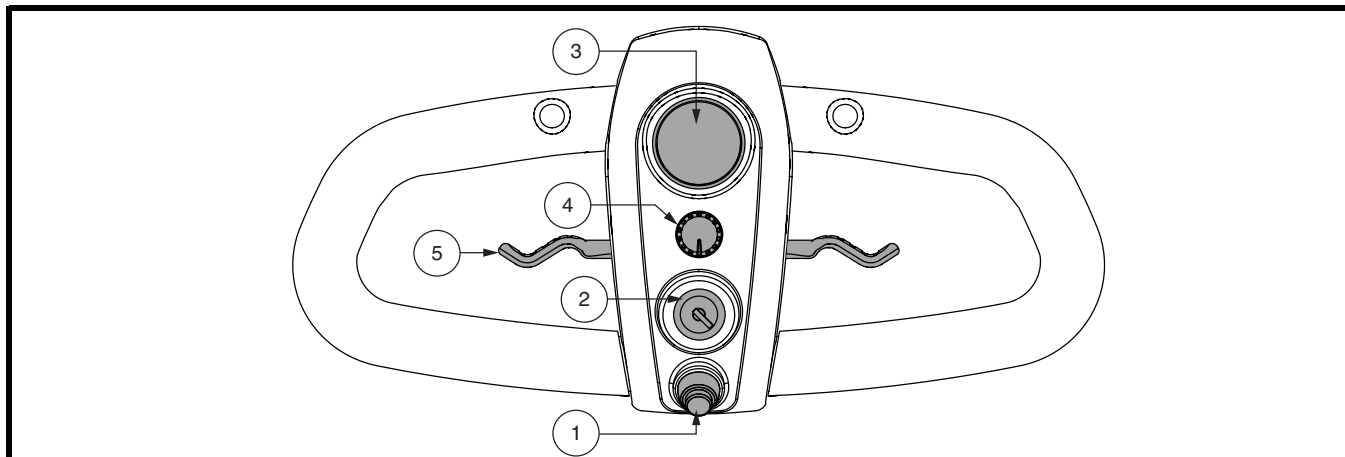


Figura 3. Consola del manillar C

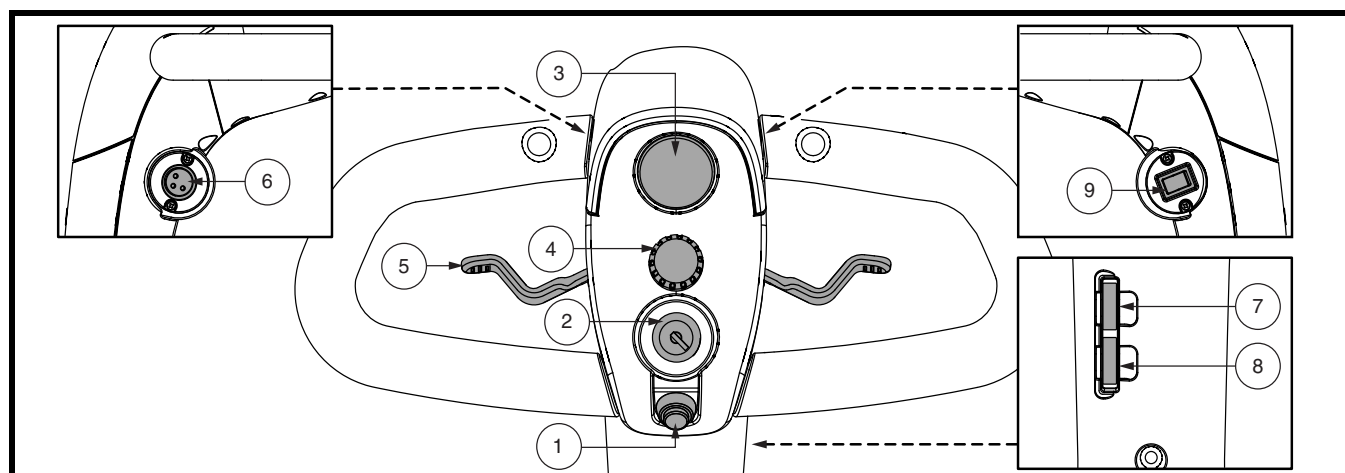


Figura 4. Consola del manillar D

Claxon

Activa el claxon de advertencia. El claxon sólo funcionará con el Travel Scooter encendido. No dude en utilizar el claxon como señal de advertencia ante cualquier riesgo de accidente o lesión.

Cerradura de Contacto

- Introduzca la llave en la cerradura de contacto y gírela en sentido horario para encender el Travel Scooter.
- Gírela en sentido contrario a las agujas del reloj para apagar el Travel Scooter.

Aunque puede dejar la llave en la cerradura de contacto con el Travel Scooter apagado, le recomendamos quitarla para evitar cualquier uso no autorizado de su Travel Scooter.



¡ADVERTENCIA! Si mueve la llave a la posición “off” con el Travel Scooter en movimiento, activará los frenos electrónicos y el Travel Scooter se detendrá bruscamente.

Indicador del Nivel de Batería

Cuando la llave está introducida totalmente en la cerradura de contacto y girada en sentido de las agujas del reloj para encender el scooter, este indicador muestra el nivel aproximado de las baterías. Para obtener más información sobre el indicador de batería, consulte III, “Baterías y su carga”.

II. SU TRAVEL SCOOTER

Regulador de Velocidad

Esta ruedecilla permite preseleccionar y limitar la velocidad máxima del Travel Scooter.

- La imagen de la tortuga representa el valor de velocidad mínimo.
- La imagen de la liebre representa el valor de velocidad máximo.

Palanca Aceleradora

Con esta palanca podrá controlar la velocidad marcha adelante y atrás del Travel Scooter, dentro de los límites fijados por usted con el regulador de velocidad.

- Coloque la mano derecha en el puño derecho del manillar y la izquierda en el izquierdo.
- Con el pulgar derecho, presione la parte derecha de la palanca para desactivar los frenos del Travel Scooter y empezar a avanzar. Con el pulgar izquierdo, presione la parte izquierda de la palanca para desactivar los frenos del Travel Scooter y empezar a avanzar.
- Suelte la palanca hasta que el Travel Scooter se detenga completamente, y pulse la parte izquierda de la palanca para dar marcha atrás.
- Al soltar el acelerador, éste vuelve automáticamente a la posición central de “stop”, activando los frenos del Travel Scooter.

Interruptor de iluminación (en modelos equipados)

Este interruptor controla el sistema de luces del Travel Scooter (fig. 4).

- Deslice el interruptor hacia delante para encender las luces.
- Deslice el interruptor hacia atrás para apagar las luces.



¡ADVERTENCIA! Encienda las luces de su scooter cuando la visibilidad sea insuficiente (sea de día o de noche).

SECCIÓN POSTERIOR

La palanca del modo manual, las ruedas antivuelco y el conjunto motor/transeje están situados en la parte posterior del Travel Scooter tal y como aparece en la figura (fig. 5).



¡ADVERTENCIA! Antes de activar o desactivar el modo manual de su Travel Scooter, quite la llave de la cerradura de contacto. No se siente nunca en un Travel Scooter que esté en modo manual. No utilice nunca el modo manual en pendientes.

Palanca del Modo Manual

Utilice el modo manual cuando necesite o quiera empujar su Travel Scooter a lo largo de distancias cortas.

1. Localice la palanca del modo manual en la parte superior dcha. de la sección posterior.
2. Presione la palanca hacia delante para deshabilitar el sistema de conducción y frenado. Ya puede empujar su Travel Scooter.
3. Tire hacia atrás de la palanca del modo manual para volver a habilitar el sistema de conducción y frenado; desactivará así el modo manual del Travel Scooter.

CLAVES DE IDENTIFICACIÓN

1. PALANCA DEL MODO MANUAL
2. CONJUNTO DE MOTOR Y TRANSEJE
3. RUEDAS ANTIVUELCO

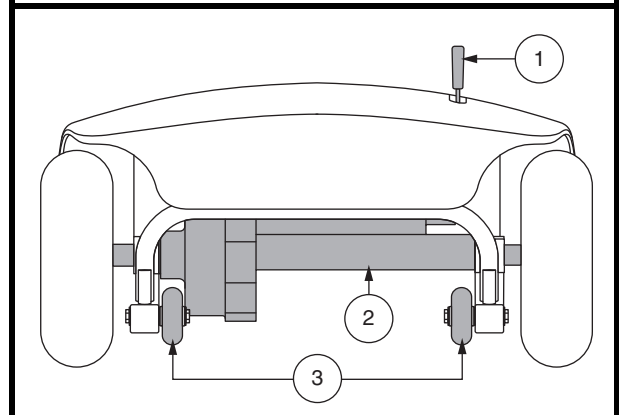


Figura 5. Sección Posterior

II. SU TRAVEL SCOOTER



¡ADVERTENCIA! Cuando el Travel Scooter está en modo manual, el sistema de frenado permanece inactivo.

- Desactive los motores sólo en superficies llanas.
- Asegúrese de sacar la llave de la cerradura de contacto.
- Sitúese detrás o a un lado del Travel Scooter para activar y desactivar el modo manual. Nunca lo haga sentado en el Travel Scooter.
- Cuando haya terminado de empujar el Travel Scooter, vuelva siempre al modo conducción para bloquear los frenos.

Conjunto de motor y transeje

El conjunto de motor y transeje constituye una unidad electromecánica que convierte la energía eléctrica de las baterías del Travel Scooter en energía mecánica controlada que impulsa las ruedas del Travel Scooter.

Ruedas antivuelco

Las ruedas antivuelco son parte integrante de la seguridad de su Travel Scooter. Están atornilladas a la estructura en la parte posterior del Travel Scooter.



¡PROHIBIDO! Salvo autorización de su proveedor, no retire las ruedas antivuelco ni modifique de ninguna forma su Travel Scooter.



¡ADVERTENCIA! Las ruedas antivuelco podrían entorpecer la fluidez normal del Travel Scooter al subir o bajar una acera. Para obtener más información, consulte con su proveedor autorizado.

Botón Disyuntor/Reinicio

Para evitar daños en el motor y el sistema electrónico, el disyuntor principal puede saltar cuando el voltaje de las baterías del Travel Scooter se vuelve insuficiente o el Travel Scooter está demasiado forzado debido a cargas o pendientes excesivas (**fig. 6**).

- El botón de reinicio salta cuando el disyuntor se activa.
- Así, al activarse el disyuntor, todo el sistema eléctrico del Travel Scooter se apaga.
- Deje “descansar” los componentes electrónicos de su Travel Scooter durante un minuto o dos.
- Apriete el botón de reinicio para restablecer el disyuntor principal.
- Si el disyuntor principal se activa con frecuencia, puede que tenga que cargar las baterías más a menudo. Puede que necesite pedirle a su proveedor autorizado que realice una prueba de carga de las baterías del Travel Scooter.
- Si el disyuntor principal interrumpe la corriente regularmente, consulte a su proveedor autorizado.

II. SU TRAVEL SCOOTER

PAQUETE DE BATERÍAS

Su Travel Scooter está equipado con un paquete de baterías innovador y fácil de quitar. El asa de la parte superior facilita la extracción del paquete del Travel Scooter con una mano. El paquete contiene dos baterías recargables, y puede incluir la toma de alimentación del cargador, el disyuntor principal (botón de reinicio) y el fusible del paquete de baterías (**fig. 6**).

CLAVES DE IDENTIFICACIÓN

- | | |
|--------------------------------------|----------------------------------|
| 1. PAQUETE DE BATERÍAS | 5. BOTÓN DISYUNTOR/REINICIO |
| 2. ASA DEL PAQUETE DE BATERÍAS | 6. CABLEADO ELÉCTRICO DE BATERÍA |
| 3. TOMO DE ALIMENTACIÓN DEL CARGADOR | 7. BORNES DE BATERÍA |
| 4. FUSIBLE DE LA PAQUETE DE BATERÍAS | 8. FUSIBLE DE LA CONSOLA |

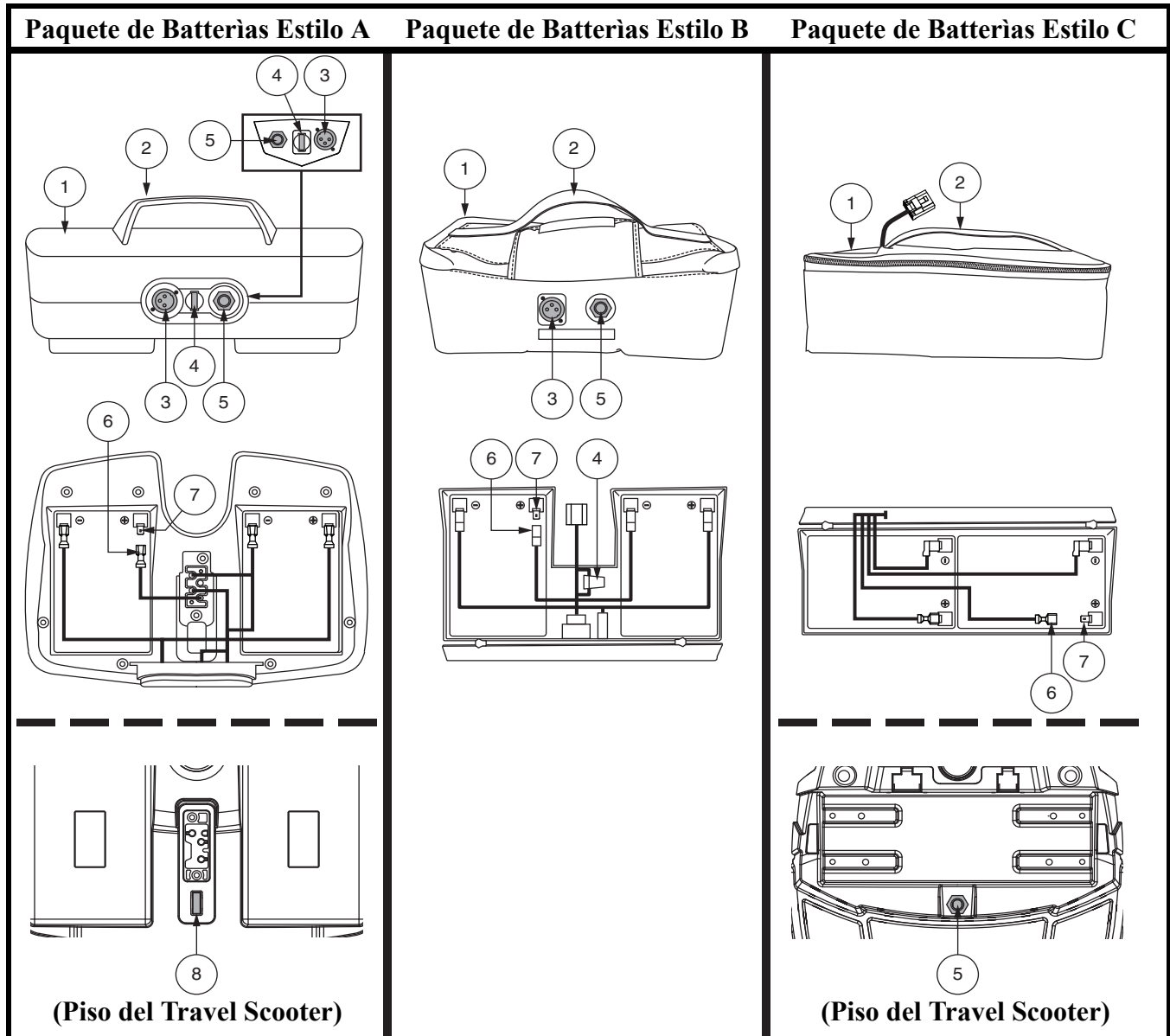


Figura 6. Paquete de Baterías

II. SU TRAVEL SCOOTER

Tomo de Alimentación del Cargador

El extremo de 3 contactos del cable del cargador se enchufa en esta toma (fig. 7 y 8).

FUSIBLE DE LA CONSOLA (EN MODELOS EQUIPADOS)

El fusible situado bajo el paquete de baterías protege el sistema electrónico de la consola (fig. 6). En caso de que algún componente de la consola no respondiera, verifique este fusible. En el Capítulo VII, “Resolución de problemas básicos”, encontrará instrucciones sobre el cambio de fusibles.

CARGADOR DE BATERÍA EXTERNO

Para cargar las baterías del Travel Scooter, conecte el cargador de batería externo a la toma del cable del cargador y a una toma de corriente estándar (fig. 9).

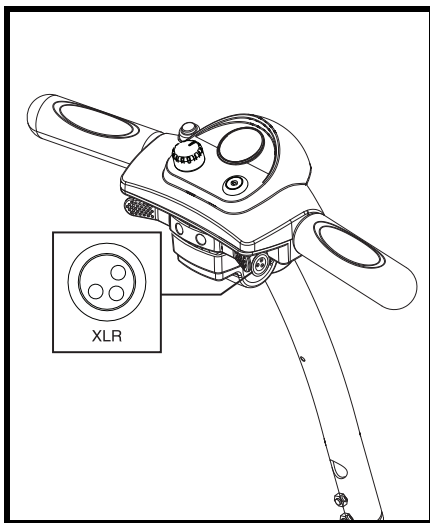


Figura 7. Tomo de Alimentación del Cargador (Ubicada en el manillar)

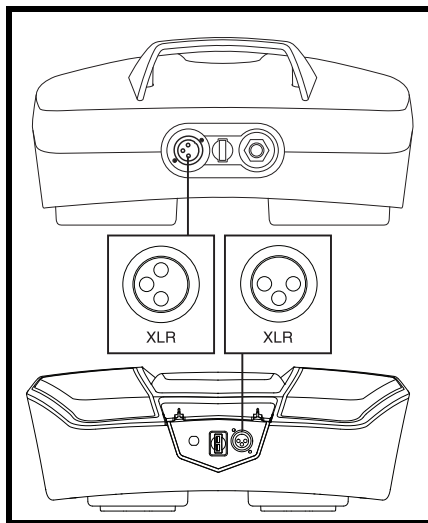


Figura 8. Tomo de Alimentación del Cargador (Paquete de baterías)

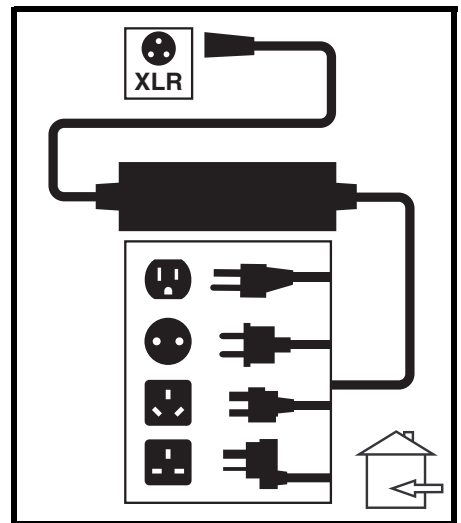


Figura 9. Cargador de Batería Externo

PUNTOS DE SUJECIÓN

Sujete siempre el Travel Scooter dentro del vehículo mirando hacia delante. Enganche las cuatro correas de sujeción a los puntos de sujeción designados a tal efecto. Ver figura 10. Apriete las correas para evitar cualquier movimiento en el scooter. No sujete nunca las correas a piezas extraíbles o regulables del Travel Scooter como reposabrazos, reposapiés o ruedas. Deberá retirar estos elementos extraíbles. Coloque los puntos de anclaje de las correas posteriores justo por detrás de los puntos de sujeción posteriores del Travel Scooter. Las correas frontales deben amarrarse a los puntos de anclaje del suelo, que tienen una anchura ligeramente superior a la del scooter para incrementar así la estabilidad lateral de éste.



¡ADVERTENCIA! Antes de transportar el scooter dentro de un vehículo a motor, asegúrese de que el primero está sujeto correctamente. Los scooters incorrectamente sujetos pueden ser un peligro para el usuario y para los restantes pasajeros del vehículo en caso de accidente de tráfico o detención o giro repentinos, ya que el scooter podría volcar o moverse.

II. SU TRAVEL SCOOTER

CLAVES DE IDENTIFICACIÓN

1. Puntos de sujeción frontales (3-ruedas modelos)
1a. Modelos 83 y 84 sólo
1b. Modelos 36, 40X, 44X, 40E, 44E, 40LX, 44LX, 50LX, 54LX, 53, 53HD, 54, 54HD, 73, y 74
2. Puntos de sujeción frontales (4-ruedas modelos)
3. Puntos de sujeción posteriores

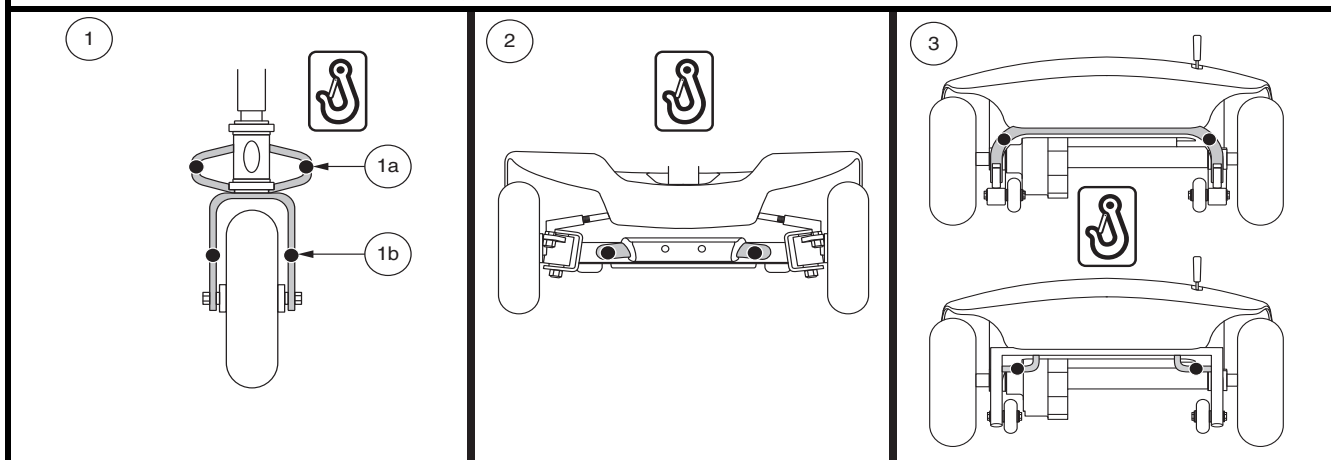


Figura 10. Puntos de sujeción (identificados con puntos negros)

PANELES DE LA CARROCERÍA

En algunos modelos, puede cambiar el color de su Travel Scooter reemplazando los paneles de plástico pintados de la carrocería por otros de los disponibles. Los paneles se sujetan mediante un sistema que funciona mediante presiones. Ver Cuadro de características generales (página 156).

Para quitar los paneles:

1. Localice con el dedo un pequeño orificio detrás de cada pieza.
2. Presione a través del orificio para separar la pieza del Travel Scooter (fig. 10).

Para quitar la visera de la consola:

1. Tire suavemente de la parte superior de la visera y extraícala con cuidado de la consola del manillar (fig. 12).

Para volver a instalar las piezas de la carrocería, coloque cada una en su lugar y empuje ligeramente hasta que queden bien sujetas.

NOTA: Al colocar los paneles parachoques delantero y trasero, asegúrese de insertar la pestaña, en la parte inferior de cada panel, en su orificio antes de presionar y sujetar el panel (fig. 11).

CLAVES DE IDENTIFICACIÓN

1. Parachoques trasero
2. Parachoques frontal

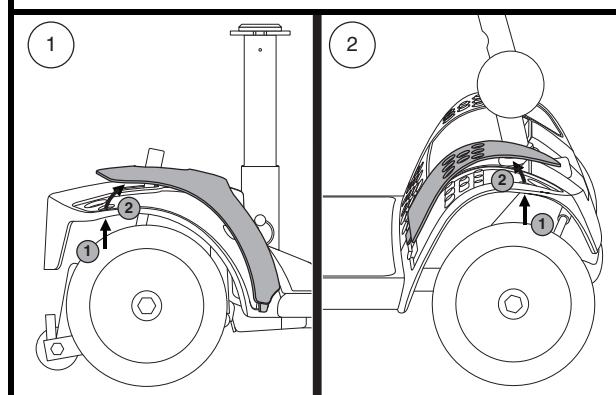


Figura 11. Parachoques

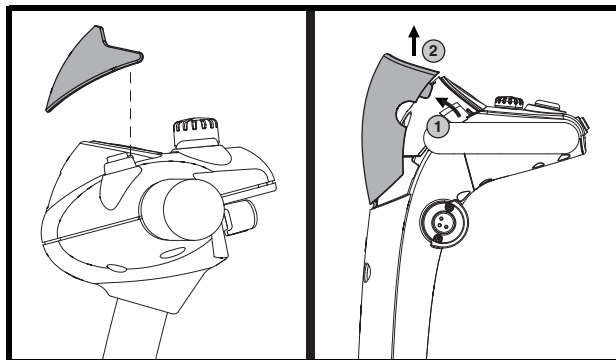


Figura 12. Visor de la consola

III. BATERÍAS Y SU CARGA

BATERÍAS Y SU CARGA

El Travel Scooter utiliza dos baterías de ciclo profundo y larga duración de 12 voltios, selladas y libres de mantenimiento. Se recargan mediante el cargador externo suministrado.

- Cargue las baterías de su Travel Scooter de por lo menos 8 a 14 horas antes de usarlas por primera vez.
- Para que el Travel Scooter funcione perfectamente, mantenga las baterías totalmente cargadas.

LECTURA DEL VOLTAJE DE LAS BATERÍAS

El indicador de batería de la consola muestra la potencia aproximada de las baterías mediante un código de color. De derecha a izquierda, el verde indica que las baterías están completamente cargadas, el amarillo un vaciado parcial y el rojo advierte sobre la necesidad de recargarlas (**fig. 13**). Para obtener la mayor precisión, compruebe el indicador de baterías conduciendo el Travel Scooter a velocidad máxima, sobre una superficie plana y seca.

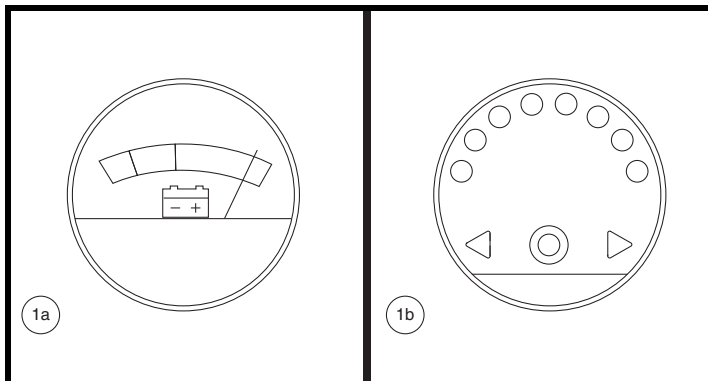


Figura 13. Indicador de Batería

CARGADO DE BATERÍAS

NOTA: En algunos modelos, el paquete de baterías puede cargarse dentro o fuera del Travel Scooter. Ver Cuadro de características generales.



¡PROHIBIDO! No quite el contacto de tierra del enchufe para evitar cualquier riesgo eléctrico. Si su toma de corriente tiene únicamente 2 orificios, instale un adaptador de 3 contactos adecuado.



¡PROHIBIDO! No conecte cables de prolongación al cable del cargador de batería, ya que podría provocar un riesgo eléctrico.



¡PROHIBIDO! Mientras las baterías se cargan, no deje que los niños jueguen cerca del Travel Scooter sin supervisión. Le recomendamos no cargar las baterías mientras la silla esté ocupada.



¡OBLIGATORIO! Antes de cargar las baterías, lea las instrucciones de carga en este manual y en el manual suministrado con el cargador de batería.



¡ADVERTENCIA! Durante el cargado de baterías se pueden generar gases explosivos. Mantenga su silla y el cargador alejados de fuentes ignífugas como llamas o chispas, y proporcione una ventilación adecuada durante el cargado de baterías.

¡ADVERTENCIA! Utilice el cargador externo suministrado para recargar las baterías de su silla. No utilice los cargadores utilizados en los automóviles.

¡ADVERTENCIA! Antes de cada uso, compruebe el estado de cargador, cables y conectores. Contacte con su proveedor autorizado si encontrara algún daño.



¡ADVERTENCIA! No intente abrir la carcasa del cargador de batería. Si el cargador no funcionara correctamente, contacte con su proveedor autorizado.

¡ADVERTENCIA! Si el cargador de batería externo viene equipado con ranuras de ven.

¡ADVERTENCIA! Tenga en cuenta que la carcasa del cargador puede acabar recalentándose durante el cargado. Evite todo contacto con la piel y no deje el cargador sobre superficies a las que pueda afectar el calor.

III. BATERÍAS Y SU CARGA



¡ADVERTENCIA! Salvo que su cargador haya sido probado y aprobado para exteriores, no lo exponga a condiciones ambientales extremas o adversas. Si hubiera sido expuesto a condiciones ambientales extremas o adversas, deberá dejarlo adaptarse a las nuevas condiciones en interiores antes de volver a utilizarlo. Para más información, consulte el manual suministrado con su cargador de batería.

Para cargar las baterías de forma segura con el cargador externo:

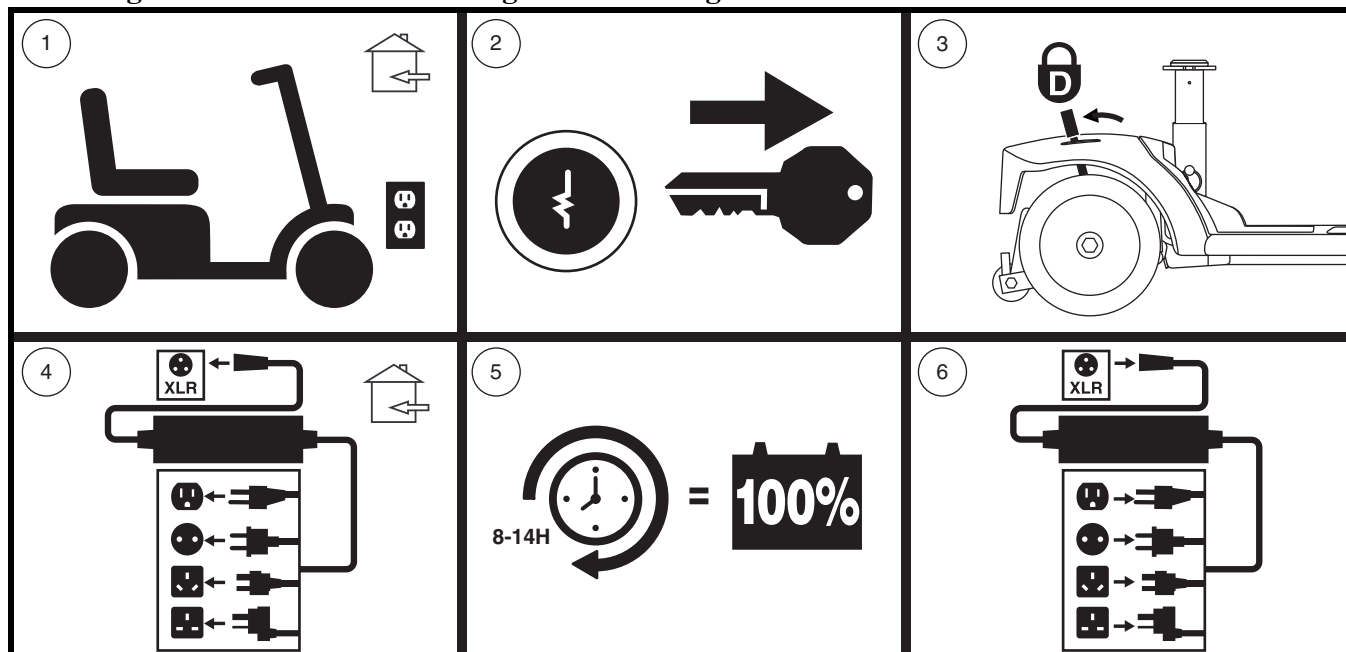


Figura 14. Diagrama del procedimiento de carga de las baterías



¡ADVERTENCIA! Los indicadores LED en el cargador indican los diferentes estados de carga en cada momento. Si al cabo de 24 horas, el LED sigue sin indicar una carga completa, desenchufe el cargador de la toma de corriente y póngase en contacto con su proveedor. Para saber más sobre estos indicadores, consulte la etiqueta del cargador.

NOTA: El Travel Scooter dispone de un bloqueador del cargador. Ni el Travel Scooter ni el indicador de batería funcionarán mientras se estén cargando las baterías.

PREGUNTAS MÁS FRECUENTES (P+F)

¿Cómo funciona el cargador?

Cuando el nivel de voltaje de las baterías es bajo, el cargador trabaja más duro, enviando más corriente eléctrica a las baterías para llenarlas. Cuando están casi totalmente cargadas, el cargador envía cada vez menos corriente eléctrica. Una vez cargadas completamente, la corriente enviada por el cargador baja hasta un amperaje cercano al cero. Por ello, cuando el cargador está enchufado, mantiene el nivel de carga de las baterías de su scooter, pero sin sobrecargarlas. Para las instrucciones sobre el cargado de baterías, consulte el manual suministrado con el cargador.

¿Puedo utilizar otro tipo de cargador?

Los cargadores varían en función de los usos, y están específicamente adaptados al tipo, tamaño y formulación química de unas determinadas baterías. Para conseguir un cargado más eficiente y seguro de las baterías de su Travel Scooter, utilice únicamente el cargador suministrado con el equipo original de su producto. Queda prohibido cualquier método de carga en el que se carguen las baterías individualmente.

III. BATERÍAS Y SU CARGA

¿Por qué no consigo cargar las baterías de mi Travel Scooter?

- Compruebe que el fusible del paquete de baterías esté en buenas condiciones (**fig. 6 o 7**).
- Compruebe que ambos extremos del cable de alimentación del cargador estén bien conectados.

¿Con qué frecuencia debo recargar las baterías?

Para determinar con qué frecuencia debe cargar las baterías, tenga en cuenta estos dos factores principales:

- Utilización intensiva a diario.
- Uso infrecuente o esporádico.

Teniendo en cuenta esto, podrá determinar con qué frecuencia y durante cuánto tiempo debe cargar las baterías de su Travel Scooter. El cargador de batería está pensado para no sobrecargar las baterías del Travel Scooter. No obstante, puede tener problemas si no recarga las baterías con la frecuencia requerida o regularmente. Para obtener un cargado y un funcionamiento seguros y fiables, observe las siguientes consignas.

- Si utiliza el Travel Scooter a diario, recargue las baterías al finalizar el día. Así, estará listo a la mañana siguiente. Si lo utiliza diariamente, le recomendamos que deje cargando las baterías de por lo menos 8 a 14 horas cada día. Recomendamos dejar cargando las baterías durante 4 horas más después de que el indicador muestre que la carga ha sido completada.
- Si lo utiliza una vez a la semana o menos, cárguelas al menos una vez a la semana durante por lo menos 24 horas.

NOTA: Mantenga siempre las baterías cargadas y no deje que se descarguen completamente. Para las instrucciones sobre el cargado de baterías, consulte el manual suministrado con el cargador. Para mejorar el rendimiento y la vida de sus baterías, nosotros recomendamos cargar las baterías durante al menos 48 horas seguidas una vez al mes.

¿Cómo puedo lograr la máxima vida para mis baterías?

Una batería de ciclo profundo completamente cargada es una garantía de larga vida y alto rendimiento. Siempre que sea posible, mantenga las baterías de su Travel Scooter completamente cargadas. Proteja su Travel Scooter y las baterías del calor y el frío extremos. Las baterías que se dejan descargar con frecuencia, no se cargan con regularidad, se guardan bajo temperaturas extremas o antes de haberlas recargado completamente pueden dañarse de forma permanente, afectando al funcionamiento del producto y limitando la vida de las mismas.

NOTA: Para prolongar la autonomía de las baterías, apague el scooter y extraiga la llave de contacto siempre que no lo esté utilizando.

¿Cómo puedo obtener el máximo rendimiento por carga?

En general, las situaciones ideales de conducción (terreno liso, plano y firme, sin viento, ni curvas o pendiente) son infrecuentes. En la mayoría de los casos, encontrará pendientes, ranuras en aceras, superficies mal pavimentadas y curvas. Estos factores afectan a la distancia que puede recorrer (la duración de las baterías).

- Antes de usarlas, cargue completamente las baterías.
- Planee su trayecto para evitar en lo posible pendientes y superficies blandas o irregulares.
- Limite el equipaje a los artículos imprescindibles.
- Intente mantener una velocidad constante cuando el Travel Scooter esté en movimiento.
- Evite avanzar a trompicones.
- Para mejorar el rendimiento y la vida de sus baterías, le recomendamos cargar las baterías durante al menos 48 horas seguidas una vez al mes.
- Compruebe que todos los cables estén conectados correctamente.

III. BATERÍAS Y SU CARGA

¿Qué tipo de baterías debo utilizar?

Le recomendamos las baterías de ciclo profundo que vienen selladas y no necesitan mantenimiento. Tanto las baterías AGM como las de gel son baterías de ciclo profundo, y su rendimiento es similar. No utilice baterías líquidas, con tapas extraíbles. Consulte el cuadro de especificaciones para saber el tamaño, ya que las baterías varían en función del fabricante.



¡ADVERTENCIA! Las baterías están fabricadas con materiales químicos corrosivos. Utilice únicamente baterías de gel o AGM; reducirá así los riesgos de derrame o explosión.

NOTA: Las baterías selladas no requieren mantenimiento. No levante las tapas.

¿Por qué mis baterías nuevas no rinden al máximo?

Las baterías de ciclo profundo utilizan una tecnología química distinta de las baterías para coches, las de níquel-cadmio u otros tipos de baterías. Las baterías de ciclo profundo están especialmente diseñadas para proporcionar energía, ir agotando su carga y luego permitir una recarga relativamente rápida.

Nos trabajamos en estrecha colaboración con el fabricante de nuestras baterías para ofrecerle la batería que mejor se adapta a su silla. Nuevas baterías llegan continuamente y son reexpedidas una vez que han sido cargadas. Durante el transporte, las baterías son expuestas a temperaturas extremas que pueden influir en su rendimiento inicial. El calor puede disminuir su carga, y el frío ralentizar la energía disponible y alargar el tiempo necesario para volver a cargar la batería (lo mismo que ocurre en el automóvil).

Serán necesarios unos cuantos días para que la temperatura de las baterías del Travel Scooter se estabilice y adapte a la nueva temperatura ambiente. Por otra parte, deberán pasar varios ciclos de carga (vaciado parcial seguido de recarga completa) antes de lograr el equilibrio químico esencial para obtener el máximo rendimiento y duración de una batería de ciclo profundo.

Siga estos pasos para “rodar” correctamente las nuevas baterías de su Travel Scooter y obtener así la máxima eficacia y duración:

1. Cargue completamente las baterías nuevas antes de utilizarlas por primera vez. Con este ciclo de carga conseguirá que rindan al 88% de su nivel máximo.
2. Maneje su nuevo Travel Scooter por zonas seguras y familiares. Al principio, conduzca despacio y no vaya demasiado lejos de su casa o entornos habituales hasta que no se haya acostumbrado a los controles del Travel Scooter y haya rodado correctamente las baterías.
3. Recargue completamente las baterías. Así, conseguirá que rindan a más del 90% de su nivel máximo.
4. Conduzca de nuevo su Travel Scooter, y vuelva a recargar completamente las baterías.
5. Tras cuatro o cinco ciclos de carga, las baterías podrán recibir una carga del 100% de su nivel máximo de rendimiento y durarán más tiempo.

Utilización del transporte público

Si planea usar el transporte público con su Travel Scooter, póngase en contacto antes con la empresa de transporte para conocer sus requisitos específicos.

III. BATERÍAS Y SU CARGA

¿Cómo se cambian las baterías de mi Travel Scooter?



¡OBLIGATORIO! Los bornes, terminales de batería y otros accesorios contienen compuestos de plomo. Durante la manipulación, póngase gafas y guantes, y lávese las manos después.



¡ADVERTENCIA! Use siempre dos baterías que sean idénticas, del mismo tipo, composición química y capacidad nominal (Ah). Consulte el cuadro de especificaciones de este manual y del manual suministrado con el cargador para saber el tipo de batería recomendado y su capacidad nominal.

¡ADVERTENCIA! No mezcle baterías viejas y nuevas. Cambie siempre ambas baterías al mismo tiempo.



¡ADVERTENCIA! Si tiene alguna duda acerca de las baterías de su Travel Scooter, no dude en contactar con su proveedor autorizado.

¡ADVERTENCIA! No manipule las baterías con el asiento ocupado.

¡ADVERTENCIA! Las baterías de su Travel Scooter únicamente podrán ser mantenidas o reemplazadas por un proveedor autorizado o un técnico cualificado.



¡PROHIBIDO! Evite el contacto de herramientas y otros objetos metálicos con los terminales de batería. El contacto con herramientas puede producir descargas eléctricas.

Para cambiar las baterías, necesitará las siguientes herramientas:

- llaves de tubo con trinquete estándar y métricas
- llave inglesa



¡ADVERTENCIA! No levante pesos por encima de sus capacidades físicas. En caso necesario, pida ayuda para montar o desmontar el Travel Scooter.

¡ADVERTENCIA! No tire directamente de los cables eléctricos para desconectarlos del Travel Scooter. Sujete siempre por el conector del cable para evitar cualquier daño a la hora de desenganchar los cables.

Para cambiar las baterías Paquete de Baterías Estilo A (fig.6):

1. Extraiga el paquete de baterías del Travel Scooter.
2. Con cuidado, dé la vuelta al paquete.
3. Quite los tornillos del perímetro del paquete de baterías.
4. Con cuidado, vuelva a dar la vuelta al paquete y retire la tapa.
5. Desconecte los cables de batería negro (-) y rojo (+) de los bornes de batería.
6. Extraiga las baterías viejas.
7. Coloque las nuevas baterías en el paquete.
8. Conecte el cable rojo de batería al borne positivo (+).
9. Conecte el cable negro de batería al borne negativo (-).
10. Coloque de nuevo la tapa del paquete de baterías, verificando que todos los cables queden dentro del paquete y no puedan ser pinzados.
11. Con cuidado, dé la vuelta al paquete.
12. Vuelva a colocar todos los tornillos y apriete.

III. BATERÍAS Y SU CARGA

NOTA: Para desconectar el cable de batería de su borne, deberá quitar el perno y la tuerca correspondientes (fig. 15).

Para cambiar las baterías Paquete de Batterías Estilo B (fig.6):

1. Desconecte el cable de batería y extraiga el paquete de baterías del Travel Scooter (fig. 16).
2. Abra la cremallera del paquete para tener acceso a las baterías.
3. Desconecte los cables de batería negro (-) y rojo (+) de los bornes de batería.
4. Extraiga las baterías viejas.
5. Coloque las nuevas baterías en el paquete.
6. Conecte el cable rojo de batería al borne positivo (+).
7. Conecte el cable negro de batería al borne negativo (-).
8. Cierre totalmente la cremallera del paquete.
9. Vuelva a colocar el paquete de baterías y reconecte los cables correspondientes.

Para cambiar las baterías Paquete de Batterías Estilo C (fig.6):

1. Retire el asiento y la carrocería trasera.
2. Desconecte los cables de batería y la cincha de amarre y luego extraiga el paquete de baterías del Travel Scooter (fig. 16).
3. Abra la cremallera del paquete para tener acceso a las baterías.
4. Desconecte los cables de batería negro (-) y rojo (+) de los bornes de batería.
5. Extraiga las baterías viejas.
6. Coloque las nuevas baterías en el paquete.
7. Conecte el cable rojo de batería al borne positivo (+).
8. Conecte el cable negro de batería al borne negativo (-).
9. Cierre totalmente la cremallera del paquete.
10. Vuelva a colocar el paquete de baterías y luego conecte los cables de batería y la cincha de amarre.
11. Coloque de nuevo la carrocería posterior y el asiento.

NOTA: Si alguna batería está dañada o agrietada, guárdela inmediatamente en una bolsa plástica y llame a su proveedor autorizado para saber dónde debe tirarla. Su proveedor autorizado dispondrá además de la información necesaria sobre reciclado de baterías, que es lo que nosotros recomendamos.

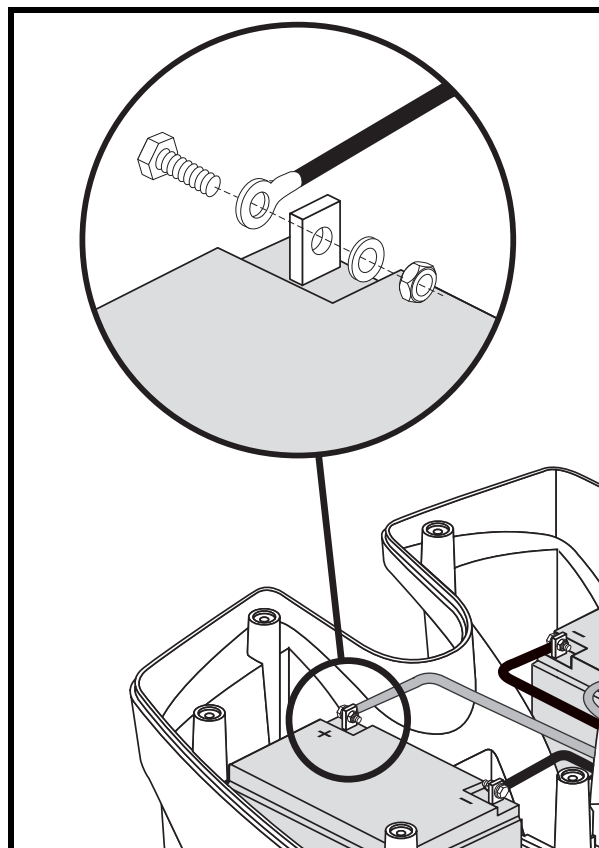


Figura 15. Desconexión del cable de una batería de 17-22 amperios

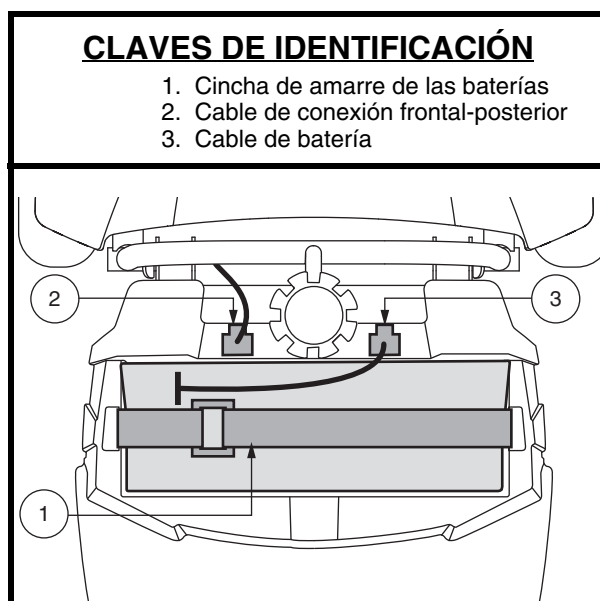


Figura 16. Cincha de amarre de las baterías

IV. FUNCIONAMIENTO

ANTES DE MONTAR EN EL TRAVEL SCOOTER

- ¿Ha cargado las baterías completamente? Capítulo III, “Baterías y su carga”.
- ¿Está la palanca manual en el modo conducción (hacia atrás)? A menos que quiera empujar manualmente su Travel Scooter, nunca deje la palanca manual hacia delante.
- Compruebe que el pomo regulador del manillar esté desbloqueado. Consulte el capítulo VI, “Desmontaje/montaje”.

AL MONTAR EN EL TRAVEL SCOOTER

1. Asegúrese de sacar la llave de la cerradura de contacto.



¡ADVERTENCIA! Nunca intente subir o bajar de su Travel Scooter sin antes quitar la llave de la cerradura de contacto. Así, evitará que el Travel Scooter se mueva si accidentalmente acciona la palanca aceleradora.

2. Colóquese a un lado del Travel Scooter.
3. Afloje la palanca de bloqueo del asiento y gire éste de forma que quede mirando hacia usted.
4. Compruebe que el asiento esté firme y no se mueva.
5. Siéntese con cuidado y póngase cómodo en el asiento.
6. Afloje la palanca de bloqueo del asiento y gire éste hasta quedar mirando al frente.
7. Compruebe que el asiento esté firme y no se mueva.
8. Asegúrese de que sus pies estén apoyados correctamente en el piso del Travel Scooter.

AJUSTES Y CONTROLES PREVIOS

- ¿Está el asiento a la altura adecuada? Consulte el capítulo V, “Optimizar el confort”.
- ¿Está el asiento bien sujeto en su sitio?
- ¿El manillar está en una posición cómoda y bien sujeto en su sitio? Capítulo V, “Optimizar el confort”.
- ¿La llave está completamente insertada en la cerradura de contacto y girada en sentido horario hacia la posición “on”?
- ¿El claxon de Travel Scooter funciona correctamente?
- ¿El camino por el que va a circular está libre de gente, animales y obstáculos?
- ¿Ha planeado su itinerario para evitar superficies irregulares y todas las pendientes que pueda?

MANEJO DEL TRAVEL SCOOTER

¡ADVERTENCIA! Lo siguiente podría afectar negativamente a la dirección y estabilidad mientras conduce su Travel Scooter:



- Sujetar o llevar atada una correa para pasear a su mascota.
- Llevar pasajeros (incluidas mascotas).
- Colgar cualquier artículo del manillar.
- Remolcar o ser remolcado por otro vehículo motorizado.

¡ADVERTENCIA! Mantenga siempre ambas manos en el manillar y sus pies en el piso del vehículo mientras maneje el Travel Scooter. Esta posición de conducción le garantiza el mayor control sobre su vehículo.

- Seleccione la velocidad máx. deseada con el regulador de velocidad.
- Presione con el pulgar la parte apropiada de la palanca aceleradora.
- El freno de disco electromecánico de estacionamiento se desactiva automáticamente y el Travel Scooter acelera suavemente hasta la velocidad preseleccionada con el regulador de velocidad.
- Tire del puño izquierdo para dirigir el Travel Scooter hacia la izquierda.
- Tire del puño derecho para dirigir el Travel Scooter hacia la derecha.
- Mueva el manillar a la posición central para circular todo recto.
- Para detenerse, suelte suavemente la palanca aceleradora. Los frenos electrónicos se activan automáticamente al detenerse el Travel Scooter.

IV. FUNCIONAMIENTO

NOTA: La velocidad marcha atrás del Travel Scooter es más lenta que la velocidad hacia delante preseleccionada en el regulador de velocidad.

PARA BAJAR DEL TRAVEL SCOOTER

1. Detenga completamente el Travel Scooter.
2. Saque la llave de la cerradura de contacto.



¡ADVERTENCIA! Nunca intente subir o bajar de su Travel Scooter sin antes quitar la llave de la cerradura de contacto. Así, evitará que el Travel Scooter se mueva si accidentalmente acciona la palanca aceleradora.

3. Afloje la palanca de bloqueo del asiento y gire éste hasta quedar mirando hacia un lateral del Travel Scooter.
4. Compruebe que el asiento esté firme y no se mueva.
5. Con cuidado, bájese del asiento y colóquese a un lado del Travel Scooter.
6. Puede dejar el asiento mirando hacia un lateral para que la próxima vez le sea más fácil subirse al Travel Scooter.

TEMPORIZADOR DE DESCONEJÓN

El Travel Scooter está equipado con un temporizador automático de ahorro de energía diseñado para prolongar la autonomía de las baterías del Travel Scooter. Si por algún error deja la llave en la cerradura de contacto en la posición “on”, pero no utiliza el Travel Scooter durante uno 20 minutos, el regulador del Travel Scooter se apagará automáticamente.

Siga los pasos siguientes para retomar el funcionamiento normal tras la activación del temporizador de desconexión.

1. Saque la llave de la cerradura de contacto.
2. Vuelva a introducir la llave y encienda el Travel Scooter.

V. OPTIMIZAR EL CONFORT

AJUSTE DEL ÁNGULO DEL MANILLAR (fig. 17)



¡ADVERTENCIA! Saque la llave de la cerradura de contacto antes de ajustar el manillar o el asiento. Nunca intente ajustar el manillar o el asiento con el Travel Scooter en movimiento.

NOTA: Para poder bajar la caña del manillar al piso del Travel Scooter, deberá quitar en primer lugar el asiento y el paquete de baterías. Para quitar el asiento del Travel Scooter, tire de él hacia arriba en línea recta.

AJUSTE DE LA POSICIÓN DEL ASIENTO (ROTACIÓN)

La palanca de rotación, ubicada en el lateral derecho de la base del asiento, ajusta el asiento en varias posiciones (fig. 18).

1. Tire hacia arriba de la palanca de bloqueo para desbloquear el asiento.
2. Gire el asiento hasta la posición deseada.
3. Suelte la palanca de bloqueo para que el asiento recupere su sitio.

ANCHURA DE LOS REPOSABRAZOS

La anchura de los reposabrazos puede reducirse o ampliarse.

1. Afloje los pomos de ajuste de los reposabrazos (fig. 18).
2. Con la anilla, tire y extraiga las arandelas de anclaje.
3. Deslice los brazos hacia el interior o exterior hasta conseguir la anchura deseada.
4. Alinee los orificios de ajuste en la estructura del asiento y los reposabrazos y vuelva a colocar las arandelas de anclaje.
5. Vuelva a apretar los pomos de ajuste.

NOTA: Levante los reposabrazos de forma que pueda subir y bajar más fácilmente del Travel Scooter.

AJUSTE DE LA ALTURA DEL ASIENTO

El asiento puede colocarse a diferentes alturas (fig. 19).

1. Extraiga el asiento y el paquete baterías del Travel Scooter.
2. Tire de la anilla para sacar la arandela de anclaje en la parte inferior de la torre del asiento.
3. Suba o baje la parte superior de la torre del asiento hasta lograr la altura deseada.
4. Sujetando la parte superior de la torre a esa altura, haga coincidir los orificios de ajuste en la parte superior e inferior de la torre.
5. Coloque la arandela de anclaje.
6. Coloque de nuevo el paquete de baterías y el asiento.

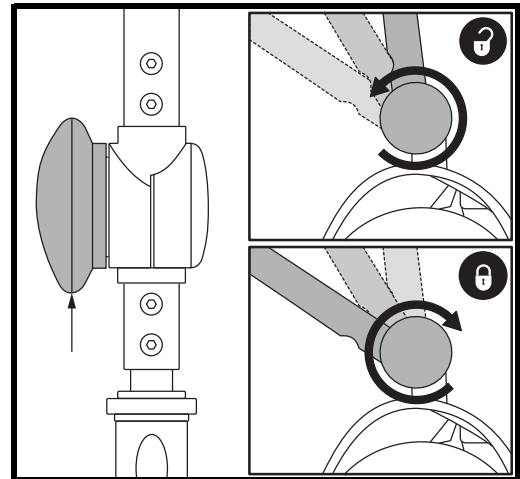


Figura 17. Regulador del manillar

CLAVES DE IDENTIFICACIÓN

1. Arandela de Anclaje
2. Pomos de Ajuste
3. Palanca de Rotación

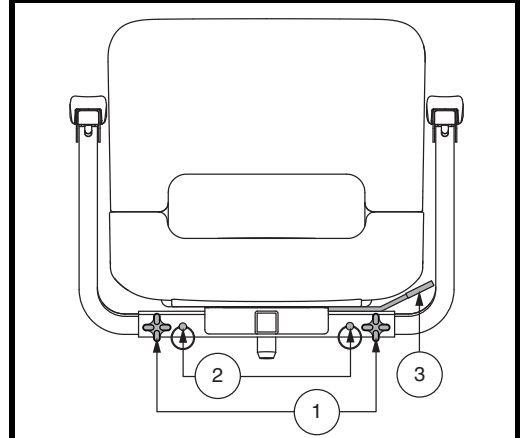


Figura 18. Ajustes en el asiento

CLAVES DE IDENTIFICACIÓN

1. Torre Superior
2. Torre Inferior
3. Pomos de Ajuste

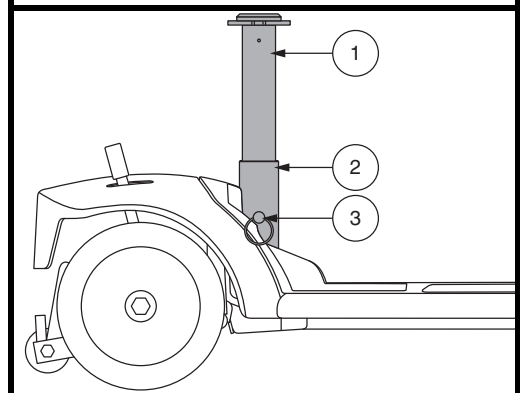


Figura 19. Altura del asiento

V. OPTIMIZAR EL CONFORT

AJUSTE DE LA SUSPENSIÓN DEL ASIENTO (EN MODELOS EQUIPADOS)

La torre del asiento funciona como un amortiguador de golpes que se puede ajustar más o menos para mejorar el confort de conducción. Utilice los tornillos de fijación, visibles a través de los orificios de ajuste en el lateral de la torre, para orientarse en la realización de los ajustes. Deslice el manguito de goma hacia la parte superior de la torre para ver los tornillos (fig. 20).

Para ajustar la torre del asiento:

1. Quite el asiento del Travel Scooter.
2. Extraiga el pasador de la parte inferior de la torre del asiento para levantar y quitar la parte superior de la torre del Travel Scooter (fig. 19).
3. Coloque un casquillo de 13 mm con un alargadero en la parte inferior de la torre (fig. 20).
4. Gire en el sentido de las agujas del reloj para suavizar la conducción o en sentido contrario para hacerla más rígida.
5. Coloque de nuevo la torre y el asiento.

CINTURÓN DE SEGURIDAD (OPCIONAL)

El asiento de su scooter puede estar equipado con un cinturón de seguridad, similar al de los automóviles, que ayuda a mejorar el confort del usuario (fig. 21). La función del cinturón de seguridad es evitar que se deslice hacia delante o abajo en el asiento. El cinturón no está diseñado para limitar los movimientos.



¡ADVERTENCIA! Deberá llevar abrochado el cinturón de seguridad en todo momento. No deje que el cinturón cuelgue o arrastra por el suelo ya que podría enredarse con las ruedas.

Para instalar el cinturón de seguridad (en caso necesario):

1. Retire el asiento de su Travel Scooter.
2. Dé la vuelta al asiento para ver la parte inferior del mismo (fig. 21).
3. Utilice una llave inglesa para quitar los dos tornillos traseros en la parte más exterior de la estructura del asiento.
4. Introduzca el tornillo a través de las extremidades correspondientes del cinturón de seguridad y luego vuelva a colocar los tornillos en la estructura del asiento.
5. Apriete los tornillos.

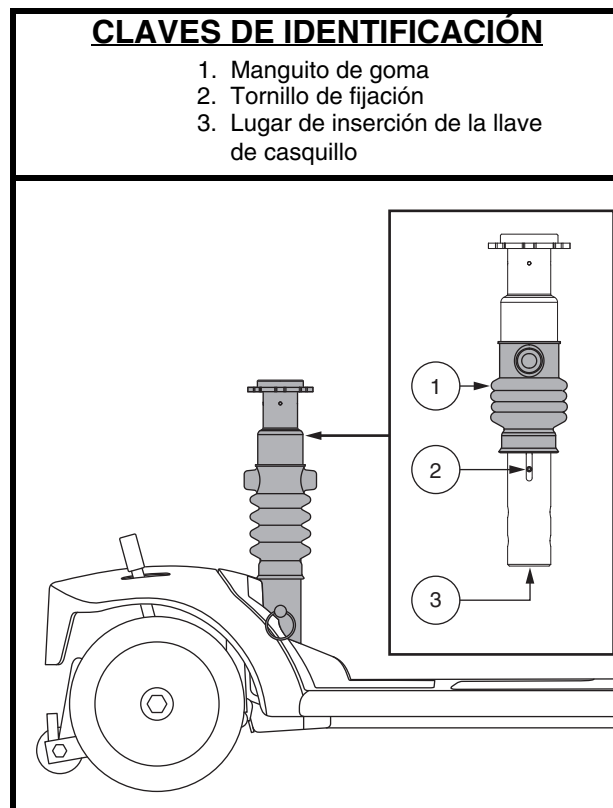


Figura 20. Ajuste de la suspensión del asiento

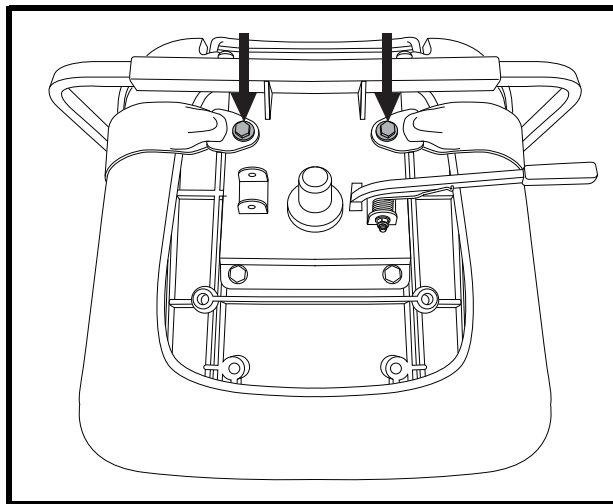


Figura 21. Tornillos del cinturón de seguridad

V. OPTIMIZAR EL CONFORT

Cinturón de seguridad con hebilla de metal

Para ajustar el cinturón de seguridad y mejorar el confort del usuario:

1. Introduzca la aleta metálica del lado derecho del cinturón en el cuadro de plástico del lado izquierdo y presione hasta oír un clic (**fig. 22**).
2. Tire de la correa del lado derecho del cinturón hasta encontrar una posición segura y cómoda que no le apriete demasiado.

Para desabrochar el cinturón de seguridad:

1. Presione el mecanismo de botón en la carcasa plástica.

Cinturón de seguridad con sistema de cierre de tipo velcro

Para ajustar el cinturón de seguridad y mejorar el confort del usuario:

1. Alinee las dos caras del cinturón colocando el extremo tipo velcro directamente sobre la cara ("hook") de la correa opuesta. Presione firmemente ambos extremos (**fig. 23**).

Para desabrochar el cinturón de seguridad:

1. Coja un extremo del cinturón de tipo velcro y tire de él hacia arriba hasta desprenderlo de la correa opuesta.

¡OBLIGATORIO! Antes de cada utilización, asegúrese de que el cinturón de seguridad esté bien sujeto al Travel Scooter y esté adaptado para el usuario.



¡OBLIGATORIO! Antes de utilizar el Travel Scooter, compruebe que el cinturón de seguridad no tenga ninguna pieza dañada, demasiado gastada, con polvo o suciedad, y que el pestillo de cierre esté en perfectas condiciones. Si encuentra algún problema, póngase en contacto con su proveedor autorizado para su mantenimiento o reparación.

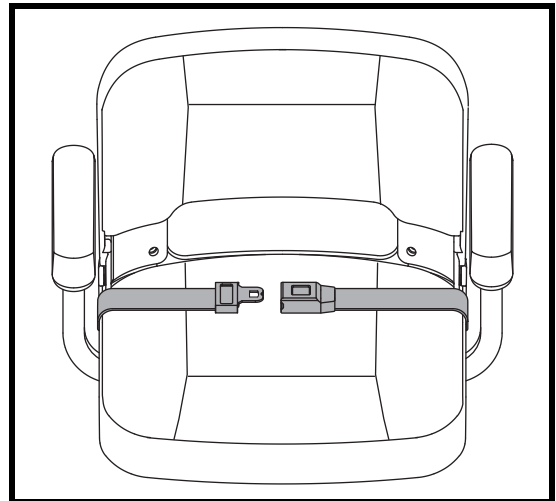


Figura 22. Cinturón de seguridad con hebilla de metal

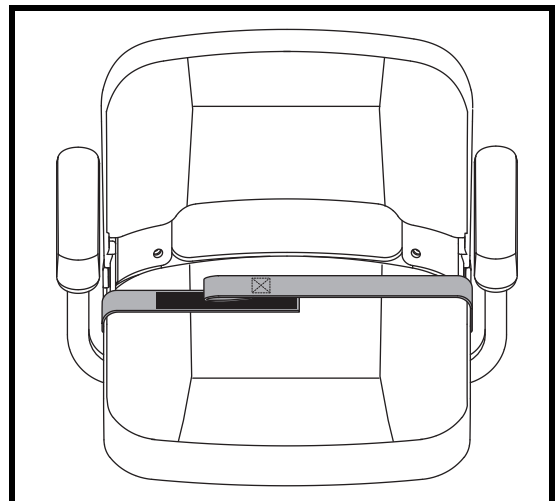


Figura 23. Cinturón de seguridad con sistema de cierre de tipo velcro

VI. DESMONTAJE/MONTAJE

DESMONTAJE

Puede desmontar el Travel Scooter en varias piezas: el asiento, la posterior, la sección frontal, la cesta, el paquete de baterías y la cubierta de las baterías [sólo en los modelos 83 y 84] (**fig. 24**). No se necesitan herramientas para montar o desmontar el Travel Scooter. Para el montaje o desmontaje, coloque el Travel Scooter sobre una superficie plana y seca, y con suficiente espacio para poder trabajar—aproximadamente 1.5 metros (cinco pies) en todas las direcciones. Recuerde que algunas piezas del Travel Scooter son pesadas y puede que necesite ayuda para levantarlas.



¡ADVERTENCIA! No levante pesos encima de sus capacidades físicas. En caso necesario, pida ayuda para montar o desmontar su Travel Scooter.

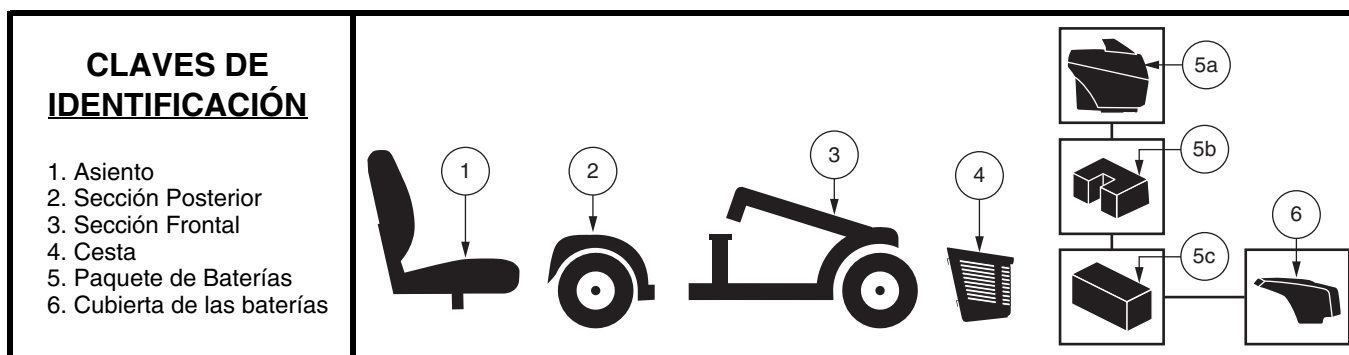


Figura 24. Componentes del Travel Scooter

Procedimiento para el desmontaje - Modelos 36, 83 y 84

1. Saque la llave de la cerradura de contacto.
2. Bloquee el manillar en su posición frontal recta apretando el pomo regulador y girándolo 90° en sentido horario (**fig. 25**). Para poder bloquear el manillar, la rueda frontal debe mirar hacia delante.
3. Para quitar el asiento del Travel Scooter, tire de él hacia arriba. Si encuentra alguna resistencia, afloje la palanca de rotación del asiento y gire el asiento adelante y atrás mientras lo levanta.
4. Quite la cubierta posterior tirando de ella hacia arriba y separándola del scooter. (Sólo en los modelos 83/84).
5. Desconecte el cable de batería (**fig. 16**).
6. Desconecte el cable de conexión frontal-posterior (**fig. 16**).
7. Desconecte la cincha de amarre de las baterías. (Sólo en los modelos 83/84) (**fig. 16**).
8. Retire el paquete de baterías tirando de él hacia arriba y separándolo del Travel Scooter.

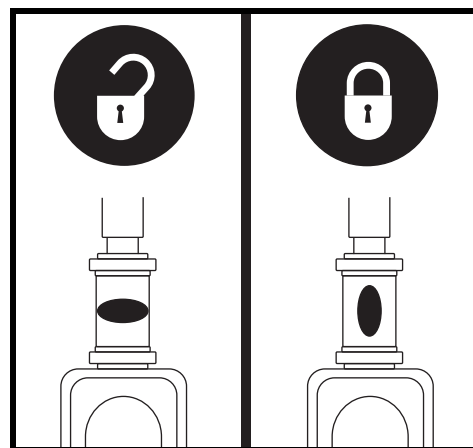


Figura 25. Pomo regulador

Procedimiento para el desmontaje - Modelos 40X, 44X, 40E, 44E, 40LX, 44LX, 50LX, 54LX, 53, 53HD, 54, 54HD, 73 y 74

1. Saque la llave de la cerradura de contacto y, a continuación Bloquee el manillar en su posición frontal recta apretando el pomo regulador y girándolo 90° en sentido horario (**fig. 25**). Para poder bloquear el manillar, la rueda frontal debe mirar hacia delante.
2. Para quitar el asiento del Travel Scooter, tire de él hacia arriba. Si encuentra alguna resistencia, afloje la palanca de rotación del asiento y gire el asiento adelante y atrás mientras lo levanta.
3. Retire el paquete de baterías tirando de él hacia arriba y separándolo del Travel Scooter.

VI. DESMONTAJE/MONTAJE

NOTA: Antes de intentar desmontar la estructura, consulte el Cuadro de características generales en la página 156 para saber si su Travel Scooter viene equipado con una palanca de extracción o con una chaveta de bloqueo.

Separación de la estructura

1. Tras haber retirado el asiento y el paquete de baterías (consulte el Procedimiento para el desmontaje en la página anterior), baje el manillar y apriete el pomo regulador (**fig. 17**).
2. Quite la chaveta de bloqueo. (Sólo en los modelos 83/84)
3. Levante la palanca de extracción, (**O, levante la torre del asiento para modelos 36, 83 y 84**) y con cuidado deje caer la sección posterior hacia atrás, hasta que los enganches de la estructura se desprendan del tubo inferior.
4. Separe con cuidado las dos secciones del Travel Scooter (**fig. 26**).

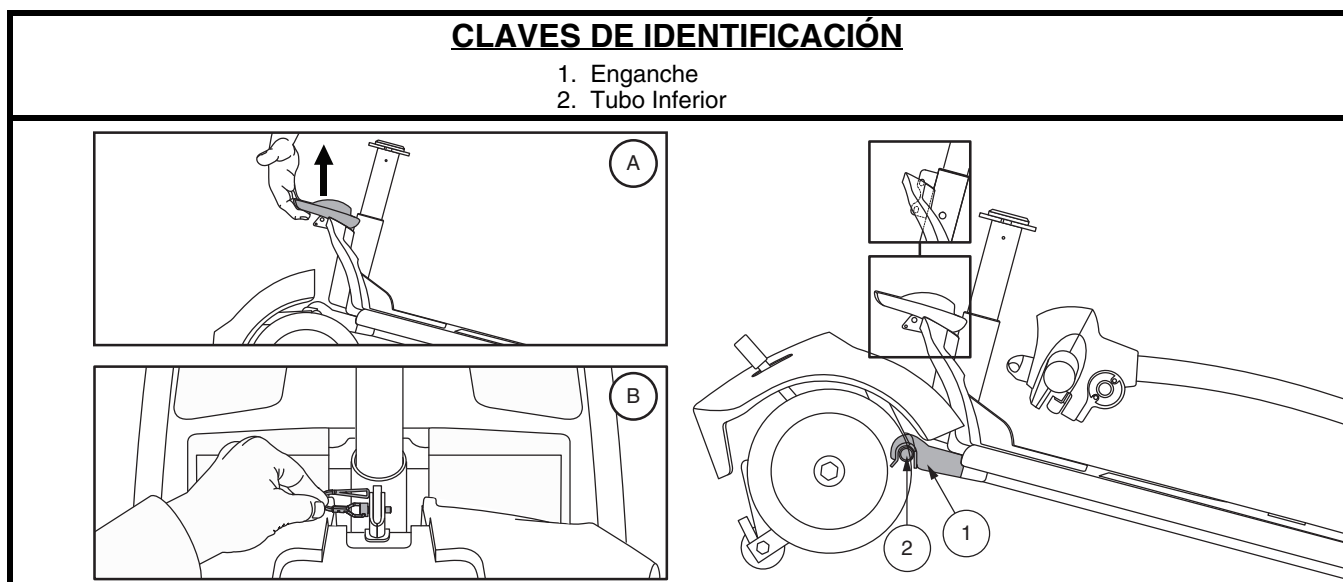


Figura 26. Palanca de extracción (Estilo A) y Chaveta de bloqueo (Estilo B)

MONTAJE

NOTA: Antes de intentar montarlo, incline ligeramente la mitad posterior del Travel Scooter sobre las ruedas antivuelco, como se muestra en la fig. 26.

1. Utilice la palanca de extracción (o la torre del asiento para modelos 36, 83 y 84 sólo) para levantar la sección frontal a la vez que alinea los enganches de la sección frontal con el tubo inferior de la sección trasera (**fig. 26**).
2. Una vez colocados los enganches sobre el tubo inferior, baje la sección frontal y a la vez haga girar la sección posterior. De esta forma, bloqueará automáticamente en su sitio la estructura de los modelos 40X, 44X, 40E, 44E, 40LX, 44LX, 50LX, 54LX, 53, 53HD, 54, 54HD, 73 y 74. En los modelos 36, 83 y 84, para completar el procedimiento de ensamblaje deberá volver a colocar la chaveta de bloqueo (**fig. 26**).
3. Suba el manillar y apriete completamente el pomo regulador (**fig. 17**).
4. Vuelva a instalar el paquete de baterías. En los modelos 36, 83 y 84, asegúrese de volver a conectar los cables de batería y de conexión frontal-posterior.
5. Coloque el asiento y gírelo hasta que quede bloqueado en su sitio.
6. Destrae el manillar girando el pomo regulador 90° en sentido contrario a las agujas del reloj (**fig. 25**).



¡ADVERTENCIA! Tras el montaje y antes de conducir el Travel Scooter, compruebe siempre que el pomo regulador del manillar esté desbloqueado.

VII. RESOLUCIÓN DE PROBLEMAS

Los dispositivos electromecánicos pueden tener a veces pequeños problemas. Sin embargo, la mayoría de ellos pueden resolverse utilizando un poco de lógica y sentido común. Muchos de estos problemas o fallos ocurren porque las baterías no están completamente cargadas o porque están muy gastadas y ya no pueden cargarse.

DIAGNÓSTICO MEDIANTE CÓDIGOS DE SONIDO

Los códigos de sonido de su Travel Scooter están diseñados para ayudarle a resolver de forma rápida y sencilla problemas básicos en su vehículo. Si ocurre alguna de las circunstancias mencionadas a continuación sonará un código de diagnóstico. Dependiendo del modelo que tenga, su Travel Scooter se comunicará con usted mediante alguno de los siguientes métodos:

1. Oirá un código sonoro que empieza con una serie de sonidos rápidos seguidos inmediatamente por otros más lentos que indican el código de que se trate. Dicho código se emite una sola vez. Para volver a escucharlo, quite la llave de contacto, vuélvala a introducir y gírela a la posición "on", **O**
2. Oirá el código sonoro que identifica el problema, una pausa, y luego la repetición del mismo código. El código sonoro seguirá repitiéndose del mismo modo hasta que apague el scooter.

NOTA: El Travel Scooter sólo volverá a funcionar si ha resuelto el problema indicado por el código de sonido y ha apagado y luego encendido el mismo.

CÓDIGO DE SONIDO	PROBLEMA	SOLUCIÓN
■ (1)	El voltaje de las baterías es demasiado bajo para manejar el vehículo.	Recargue las baterías lo antes posible.
■■ (2)	El voltaje de las baterías es demasiado bajo.	Recargue las baterías.
■■■ (3)	El voltaje de las baterías es demasiado alto para manejar el vehículo, o tiene el cargador todavía conectado al puerto del cargador externo.	Desenchufe el cargador y/o gire la llave a la posición OFF, y luego de nuevo a la posición ON. Si baja por una pendiente, reduzca al mínimo la velocidad del scooter.
■■■■ (4)	Expiración del temporizador (límite de corriente).	Apague el scooter durante unos minutos y luego vuélvalo a encender.
■■■■■ (5)	Que la palanca manual esté en la posición manual.	Saque la llave de la cerradura de contacto, lleve la palanca de modo manual a la posición de conducción (hacia atrás) y vuelva a encender el Travel Scooter.
■■■■■■ (6)	La palanca aceleradora no estaba en su posición central en el momento del encendido.	Compruebe que las baterías estén completamente cargadas. Si es así, lleve la palanca aceleradora a su posición central, apague el Travel Scooter y luego vuélvalo a encender.
■■■■■■■ (7)	Error del potenciómetro de velocidad.	Pida ayuda a su proveedor autorizado.
■■■■■■■■ (8)	Error en el voltaje del motor.	Pida ayuda a su proveedor autorizado.
■■■■■■■■■ (9)	Otros errores internos.	Pida ayuda a su proveedor autorizado.

¿Qué hago si mi Travel Scooter no se mueve al pulsar la palanca aceleradora?

- Cuando la palanca de modo manual está hacia delante, los frenos están desactivados y la energía no llega al conjunto del motor/transeje.
- Para volver a un funcionamiento normal, empuje hacia atrás la palanca manual, apague el Travel Scooter y luego vuélvalo a encender.

VII. RESOLUCIÓN DE PROBLEMAS

Mi Travel Scooter no se enciende ni funciona

- Compruebe que la llave esté en la posición “on”.
- Compruebe que las baterías estén completamente cargadas.
- Apriete el botón del disyuntor principal/reinicio. Capítulo II, “Su Travel Scooter.”
- Verifique que el paquete de baterías esté conectado correctamente.
- Compruebe que los cables de batería y de conexión frontal-posterior estén conectados correctamente. (Sólo en los modelos 36, 83 y 84).
- Asegúrese de que el temporizador de desconexión no haya sido activado. Capítulo IV, “Funcionamiento”.
- Verifique el fusible de la consola situado bajo el paquete de baterías.

Para verificar un fusible:

1. Retire el fusible, extrayéndolo de su ranura.
2. Examine el fusible para comprobar si está fundido (**fig. 27**).
3. Coloque un nuevo fusible del tipo y características apropiadas.



¡ADVERTENCIA! El nuevo fusible debe ser del mismo tipo y características que el anterior. De lo contrario, podría provocar daños en el sistema eléctrico.

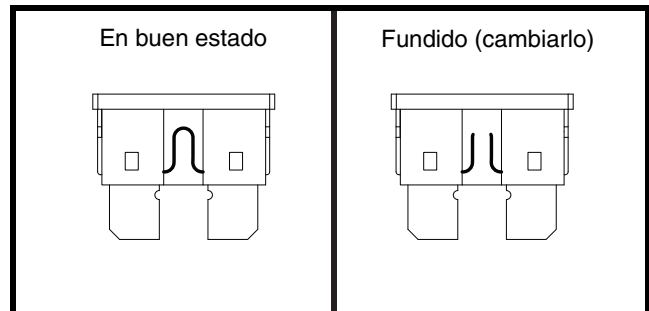


Figura 27. Cambio de fusible

No consigo cargar mis nuevas baterías

- Verifique el fusible situado en el paquete de baterías o la consola del manillar. Cámbielo en caso necesario.
- Durante el cargado de baterías, si el piloto luminoso nunca llega a indicar una carga completa, verifique el fusible situado en el paquete de baterías o la consola del manillar. Cámbielo en caso necesario, o pida a su proveedor autorizado que compruebe su funcionamiento y/o lo cambie por otro nuevo.
- Compruebe que ambos extremos del cable del cargador estén bien conectados.
- Si sigue sin poder cargarlas, póngase en contacto con su proveedor autorizado.

¿Qué hacer si el disyuntor principal salta repetidamente?

- Si el disyuntor principal interrumpe la corriente a menudo, consulte a su proveedor autorizado.
- Cargue las baterías del Travel Scooter con más frecuencia. Capítulo III, “Baterías y su carga”.
- Si el problema continúa, pídale a su proveedor autorizado que haga una prueba de carga de ambas baterías.
- También puede realizar la prueba usted mismo. Para ello, utilice unos dispositivos de chequeo disponibles en la mayoría de tiendas de automoción y siga las instrucciones del manual correspondiente.
- Siga las instrucciones indicadas en el manual del dispositivo de medición de carga.
- Consulte el capítulo III, “Baterías y su carga” o “Hoja de características del producto” para conocer el tipo de baterías de su Travel Scooter.

El indicador de batería cae en picado y el motor hace extraños ruidos cuando pulso la palanca aceleradora

- Cargue completamente las baterías del Travel Scooter (III, “Baterías y su carga”).
- Pídale a su proveedor que haga una prueba de carga de ambas baterías.
- O consulte la pregunta anterior para chequear las baterías usted mismo.

Si encontrara otro problema que no pudiera resolver, póngase en contacto con su proveedor autorizado para obtener la información, el mantenimiento y el servicio necesarios.

VIII. CUIDADO Y MANTENIMIENTO

Su Travel Scooter necesita un cuidado y un mantenimiento mínimos. Si no se siente competente para proporcionar a su Travel Scooter los cuidados citados a continuación, pida cita a su proveedor autorizado para que realice un chequeo de inspección y mantenimiento. Deberá realizar revisiones y/o controles periódicos en las siguientes zonas.

LOS NEUMÁTICOS

Inspeccione regularmente el desgaste en las ruedas de su Travel Scooter.

CAMBIO DE RUEDAS

Su Travel Scooter está equipado con ruedas macizas. En caso de daño o desgaste excesivo en una rueda, deberá cambiar la rueda entera. Consulte a su proveedor autorizado para obtener más información sobre el cambio de ruedas para su Travel Scooter.



¡ADVERTENCIA! Las ruedas del Travel Scooter únicamente podrán ser mantenidas o reemplazadas por un proveedor autorizado o un técnico cualificado.

¡ADVERTENCIA! Asegúrese de haber quitado la llave de la cerradura de contacto y de que el scooter no esté en modo manual antes de realizar esta acción.

Para instalar la rueda de forma rápida y segura, siga estos sencillos pasos:

1. Saque la llave de la cerradura de contacto y asegúrese de que el Travel Scooter no esté en modo manual.
2. Levante el lateral del Travel Scooter del que vaya a retirar la rueda. Coloque unos bloques de madera bajo la estructura para levantar el Travel Scooter.
3. Retire la tuerca de la rueda motriz del cubo (**fig. 28**).
4. Retire la rueda motriz de su eje.
5. Coloque la rueda en su eje. Asegúrese de que la llave esté en la ranura del eje.



¡ADVERTENCIA! A la hora de colocar una rueda, asegúrese de que la llave del eje esté instalada correctamente en la ranura del eje. La colocación incorrecta de una rueda hará que el sistema de frenos permanezca desactivado, lo que podría ocasionarle lesiones o daños en el producto.

6. Coloque de nuevo la tuerca de la rueda en el cubo y apriete.



¡ADVERTENCIA! Asegúrese de volver a colocar y apretar correctamente tuercas y arandelas.

7. Retire los bloques bajo el Travel Scooter.

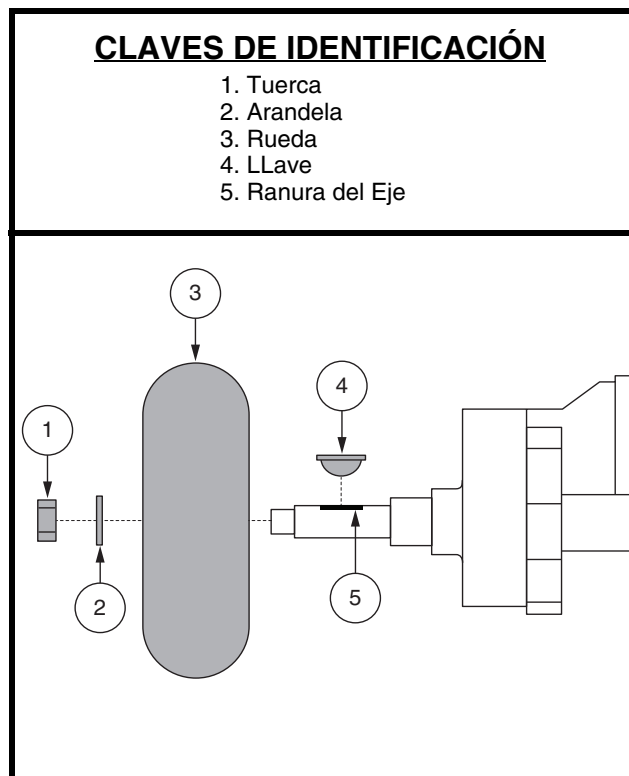


Figura 28. Extracción de la rueda de conducción

VIII. CUIDADO Y MANTENIMIENTO

SUPERFICIES EXTERIORES

Aplique ocasionalmente un acondicionador de caucho o vinilo en los parachoques, neumáticos y molduras.



¡ADVERTENCIA! No aplique el acondicionador de caucho o vinilo en el asiento de vinilo del Travel Scooter ni en la rodadura de los neumáticos ya que se volverían peligrosamente resbaladizos.

LIMPIEZA Y DESINFECCIÓN

- Utilice un paño húmedo y suave y un limpiador no abrasivo para limpiar las partes plásticas y de metal del Travel Scooter. No use productos que puedan rayar la superficie del Travel Scooter.
- En caso necesario, limpie su producto con un desinfectante apropiado. Antes de aplicarlo, asegúrese de que pueda utilizar el desinfectante en su producto.



¡ADVERTENCIA! Siga las consignas de seguridad para la utilización correcta del desinfectante antes de aplicarlo a su producto. El incumplimiento de estas indicaciones podría provocarle irritaciones cutáneas o daños en la tapicería o el acabado de su Travel Scooter.

CONEXIONES DE LOS BORNES DE BATERÍA

Asegúrese de que las conexiones de los bornes estén tensas y sin corrosión.

CABLEADO ELÉCTRICO

- Compruebe regularmente todas las conexiones cableadas.
- Verifique regularmente el aislamiento de los cables, incluido el cable del cargador, para descartar cualquier desgaste o daño.
- Pídale a su proveedor autorizado que repare o cambie los conectores o material aislante dañado antes de volver a utilizar su Travel Scooter.



¡PROHIBIDO! Si bien el Travel Scooter ha superado todas las pruebas requeridas de resistencia a líquidos, deberá evitar que los componentes eléctricos se humedezcan (exposición directa al agua o fluidos corporales e incontinencia). Verifique los comp. eléctricos y, en caso de encontrar signos de corrosión, sustitúyalos por otros nuevos.



¡ADVERTENCIA! No tire directamente de los cables eléctricos para desconectarlos del scooter. Sujete siempre por el conector del cable para evitar cualquier daño a la hora de desenganchar los cables.

CARROCERÍA DE PLÁSTICO ABS

Las piezas de la carrocería están formadas por un resistente plástico y puede revestidas con una fórmula avanzada de pintura de uretano. Para que la carrocería conserve su aspecto brillante, utilice un poco de cera para automóviles.

COJINETES DEL EJE Y CONJUNTO MOTOR/TRANSEJE

Estos elementos vienen prelubricados y sellados, y no necesitan más lubricación.

ESCOBILLAS DE MOTOR

Las escobillas de motor están situadas dentro del conjunto de motor y transeje. Su proveedor autorizado deberá revisarlas periódicamente para suplir posibles desgastes.

CONSOLA, CARGADOR/SIST. ELÉCTRICO

- Mantenga siempre estas zonas sin humedad.
- Si alguno de estos componentes se humedeciera, déjelo secar completamente antes de volver a utilizar su Travel Scooter.

VIII. CUIDADO Y MANTENIMIENTO

CAMBIO DE LAS CONTRATUERCAS DE NYLON

Toda contratuerca de nylon que haya sido retirada con motivo del mantenimiento periódico, el montaje o desmontaje del Travel Scooter, deberá ser reemplazada por una nueva. Las contratuercas de nylon no pueden volver a utilizarse ya que se dañaría la inserción de nylon, provocando un ajuste menos seguro. Dispone de contratuercas de nylon de recambio en su ferretería local o puede conseguirlas a través de su proveedor autorizado.

ALMACENAMIENTO

Si planea no utilizar su Travel Scooter por un periodo largo de tiempo, le aconsejamos que:

- Antes de guardar su Travel Scooter, cargue completamente las baterías.
- Extraiga el paquete de baterías del Travel Scooter.
- Guarde el Travel Scooter en un lugar templado y seco. No deje que las baterías se congelen.
- Evite guardar el Travel Scooter en lugares sujetos a temperaturas extremas.
- Temperatura recomendada de almacenamiento: -75°C/-104°F a 70°C/158°F.

Las baterías que se dejan descargar con frecuencia, no se cargan con regularidad, se guardan bajo temperaturas extremas o antes de haberlas recargado completamente pueden dañarse de forma permanente, afectando al funcionamiento del producto y limitando la vida de las mismas. Aunque guarde el scooter durante largos periodos de tiempo, nosotros recomendamos cargar las baterías periódicamente para garantizar un rendimiento óptimo.



¡ADVERTENCIA! Proteja siempre las baterías de temperaturas heladas y nunca cargue una batería congelada. El cargado de una batería congelada puede provocar daños en la batería.

Si va a guardar el scooter durante un largo tiempo, coloque varios cartones bajo la estructura del vehículo para levantarlo del suelo. Así, las ruedas no tienen que soportar todo el peso y se reduce el riesgo de abolladuras en las zonas de los neumáticos en contacto con el suelo.

ELIMINACIÓN Y RECICLAJE DEL TRAVEL SCOOTER

Para deshacerse de su Travel Scooter deberá tener en cuenta la normativa aplicable en su país. Póngase en contacto con la agencia local de eliminación de residuos o con su proveedor autorizado para saber cómo deshacerse correctamente del paquete, los componentes metálicos y plásticos, el sistema electrónico, las baterías, así como los materiales de neopreno, silicona y poliuretano.

Please fill out the following information for quick reference:

S.V.P. veuillez compléter les informations ci dessous:

Vul alstublieft de volgende informatie in voor snelle referentie:

Mein autorisierter Fachhändler ist:

Informazioni di riferimento:

Por favor, rellene la siguiente información para tener siempre a mano:

Provider:

Détaillant:

Leverancier:

Name:

Rivenditore:

Proveedor: _____

Address:

Adresse:

Adres:

Adresse:

Indirizzo:

Dirección: _____

Telephone:

Téléphone:

Telefoon nummer:

Tel. Nummer:

Telefono:

Número de teléfono: _____

Purchase Date:

Date d'achat:

Koop Datum:

Kaufdatum:

Data di acquisto:

Fecha de compra: _____



1 N F M A N U 4 3 9 2



Serial #/série #/serie#