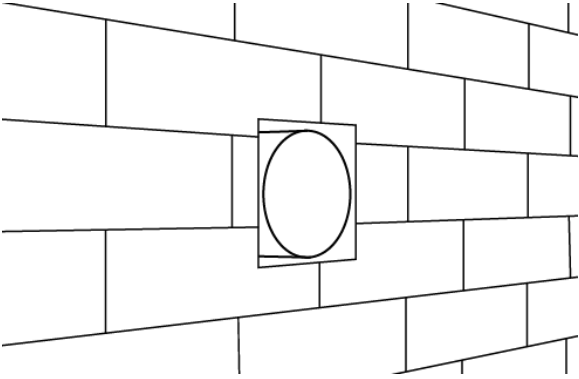
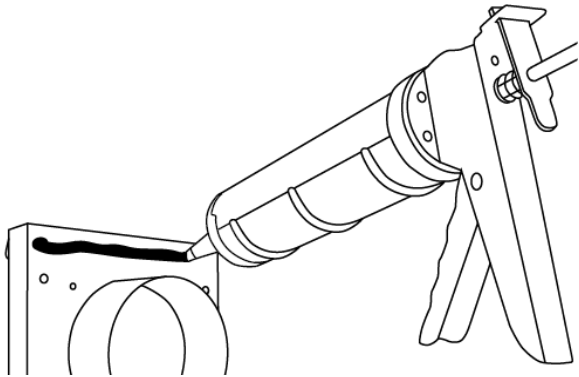


# Standard Install



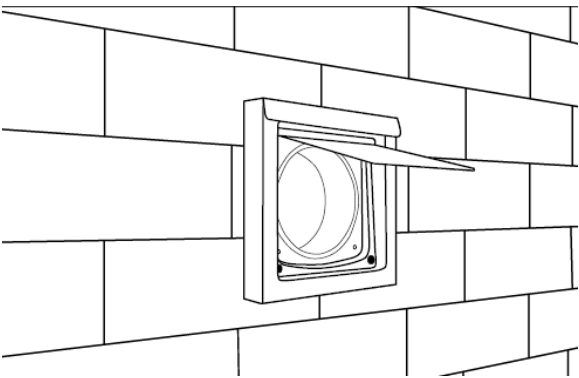
## STEP ONE

Confirm that 4" duct is flush to the exterior substrate.



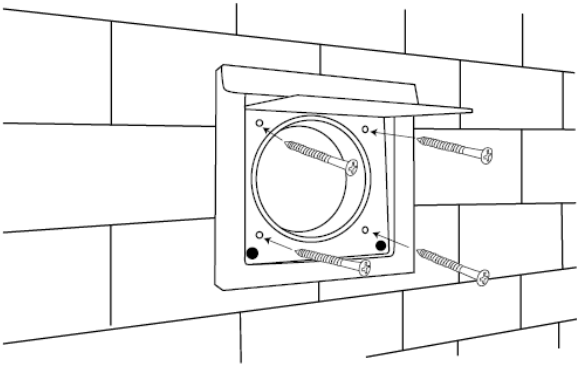
## STEP TWO

Add sealant around the perimeter of the backing plate.



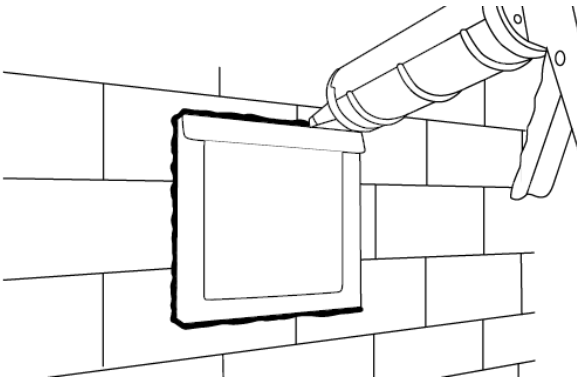
## STEP THREE

Insert DryerWallVent collar into 4" duct. \*If installing a No Collar unit, align opening with duct.



#### STEP FOUR

To secure to the substrate, install exterior rated fasteners through the inner screw holes.

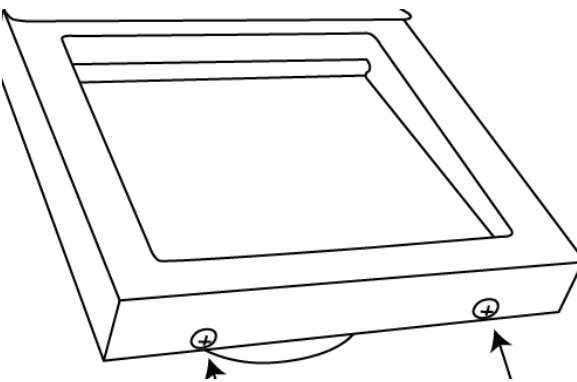


#### STEP FIVE

Apply sealant to all sides in contact with final exterior surface.

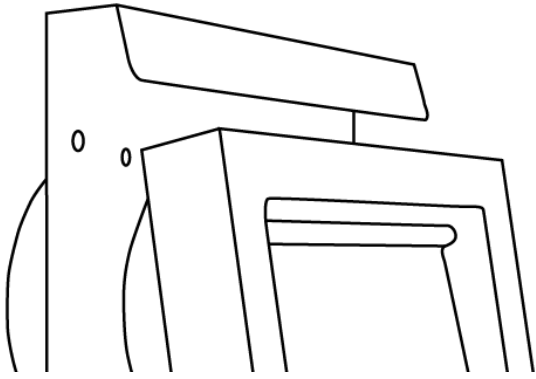
Tip: Bottom may be unsealed to allow for weeping.

## Backing Plate Install



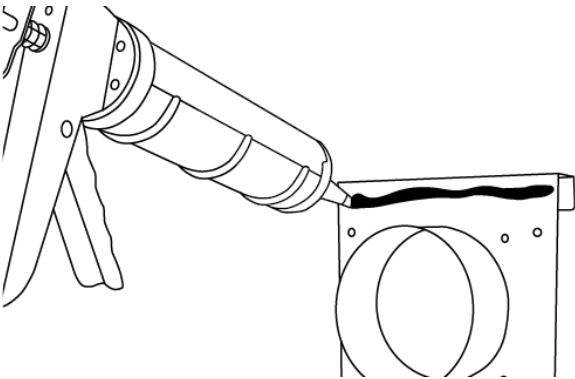
#### STEP ONE

To expose the fastener holes on the backing plate, remove the two #6 screws on the bottom of the DryerWallVent.



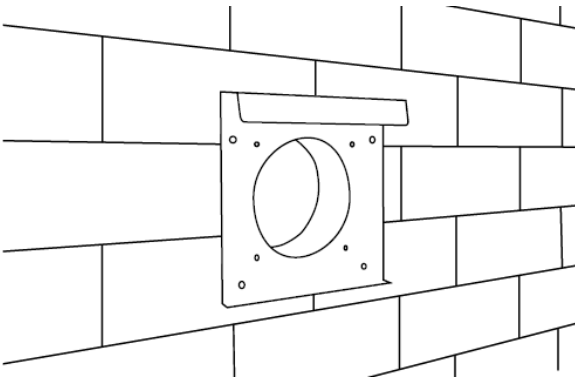
### STEP TWO

Remove the damper assembly.



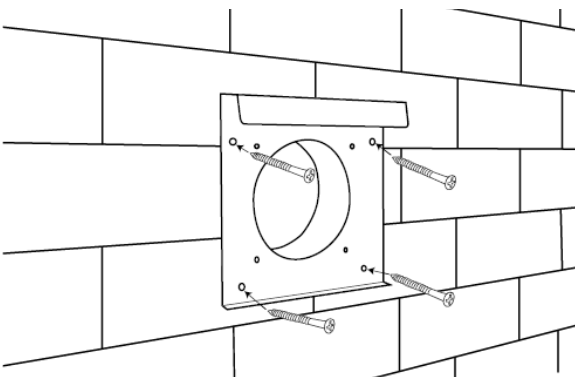
### STEP THREE

Add sealant around the backing plate perimeter.



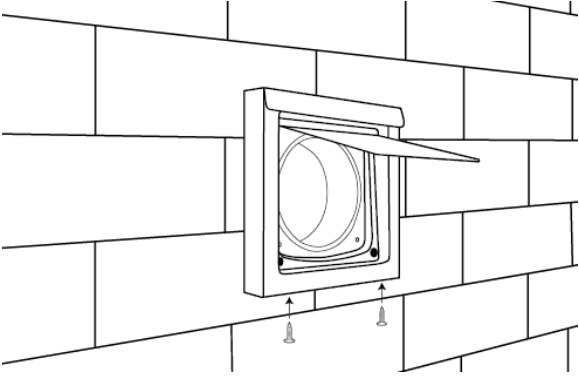
### STEP FOUR

Insert DryerWallVent collar into 4" duct. \*If installing a No Collar unit, align opening with duct and skip to Step 5



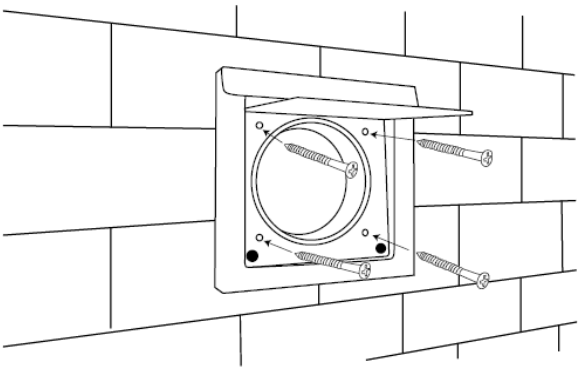
### STEP FIVE

Install exterior rated fasteners through the outer backing plate holes.



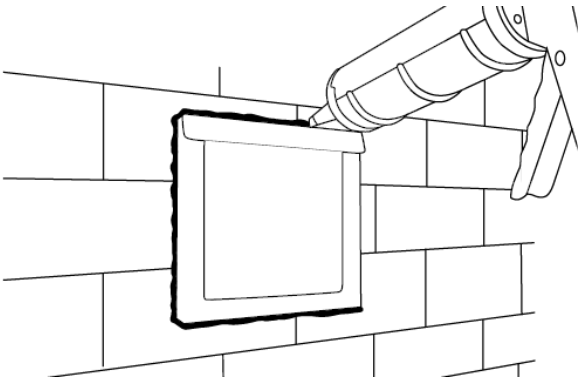
### STEP SIX

Insert under the drip edge and secure bottom with the #6 screws.



### STEP SEVEN

For added security, #14 exterior rated screws may be used in the inner screw holes.



### STEP EIGHT

Apply sealant to all sides in contact with final exterior surface.

Tip: Bottom may be unsealed to allow for weeping.