

**Serious Protection From Pest Entry And Easy Maintenance Access**

# The DEFENDER Access+

## Premium Vent Cover

Patent Pending Protection



Defense Against Squirrel and Bird Entry

Model DFRP80W



### Lasting Performance

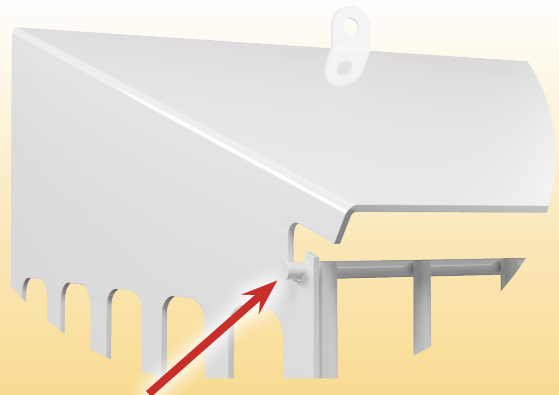
Zinc coated steel that is also powder coated delivers lasting protection for existing terminations. Patented vertical bars keep creatures out while minimizing lint buildup and making it easy to clean. For full system maintenance, the easy opening front gate provides clear access for professional equipment.

Two sizes—with dimensions of 6.5, and 8 inches—allow for an exact fit and universal application so the vent termination is aesthetically pleasing. Extra fastener holes make installation quick and easy.

- **No-Tool-Required Maintenance Access**
- Provides an Extra Level of Weather Protection
- Deters Bird and Squirrel Entry
- Helps Hide Unsightly Vents
- Works on all Siding Types
- Available in Brown, Tan and White



### Easy Opening Front



The drop-notch front gate (patent pending) makes access for brushes and duct cleaning equipment a breeze. With the easy opening vertical bar gate, there's no need to remove fasteners from the wall for cleaning.

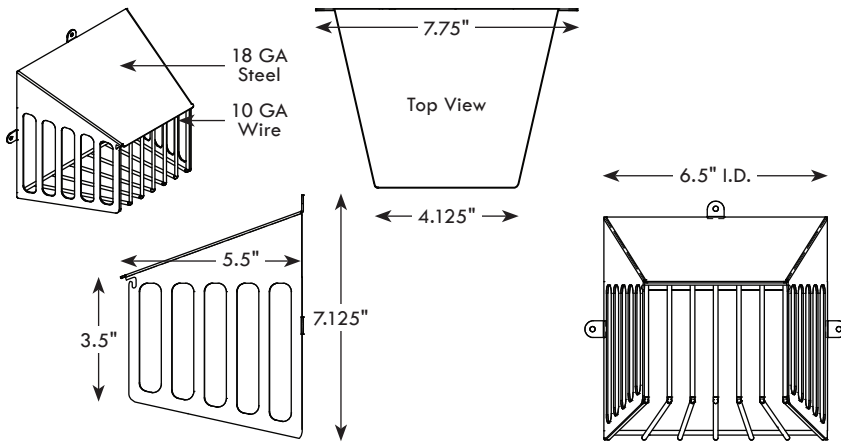
**INOVATE**

**888-443-7937**

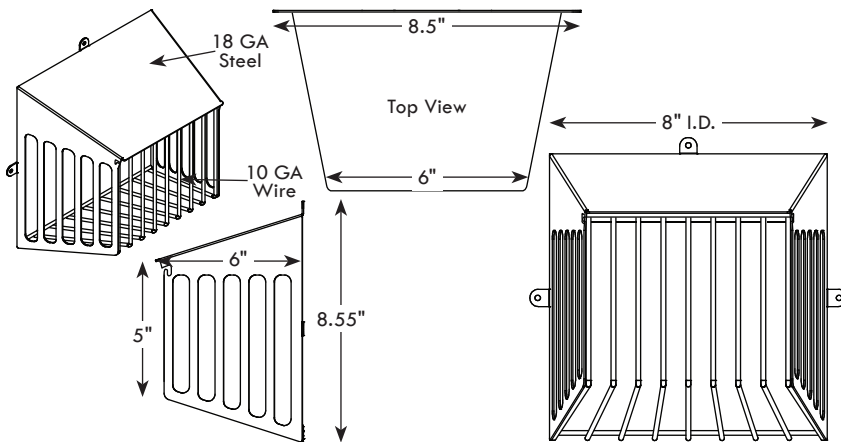
**DefenderHood.com**

250 South Central Boulevard • Suite 207 • Jupiter FL 33458-8812 • Fax: 561-745-9723

**The Defender Model DFRP65**



**The Defender Model DFRP80**



**Now With Easy Opening Front Gate**

Model	Applications
<b>DFRP65</b>	6.5" inner dimension vent cover for small sized exhaust terminations
<b>DFRP80</b>	8" inner dimension vent cover for medium sized exhaust terminations

**Performance Data**

**For Use:**

- Extra Pest Protection for Exhaust Systems
- Complies with IMC 504.4 & IRC 1502.3

**Material:**

- 18 gauge zinc & powder coated steel hood
- 10 gauge zinc & powder coated steel bars

US Patent 8,845,405, Others Pending

**General Information**

**Benefits:**

- Deters Bird and Rodent Entry
- Hides Unsightly Vents
- Works on all Siding Types
- Extra Weather Protection
- Easy Installation and Maintenance Access

**Features:**

- Drop-Notch Easy-Open Front Gate
- Heavy gauge zinc & powder coated steel
- Sized for Universal Applications
- Extra Fastener Holes for Easy Installation

**Manufactured By**

**InOvate Technologies, Inc.**  
250 S. Central Blvd. Suite 207  
Jupiter, FL 33458  
Telephone: 561-743-8696  
Facsimile: 561-745-9723  
<https://DefenderHood.com>

 **Made in the USA**

U.S. Patent 8,845,405, Others Pending