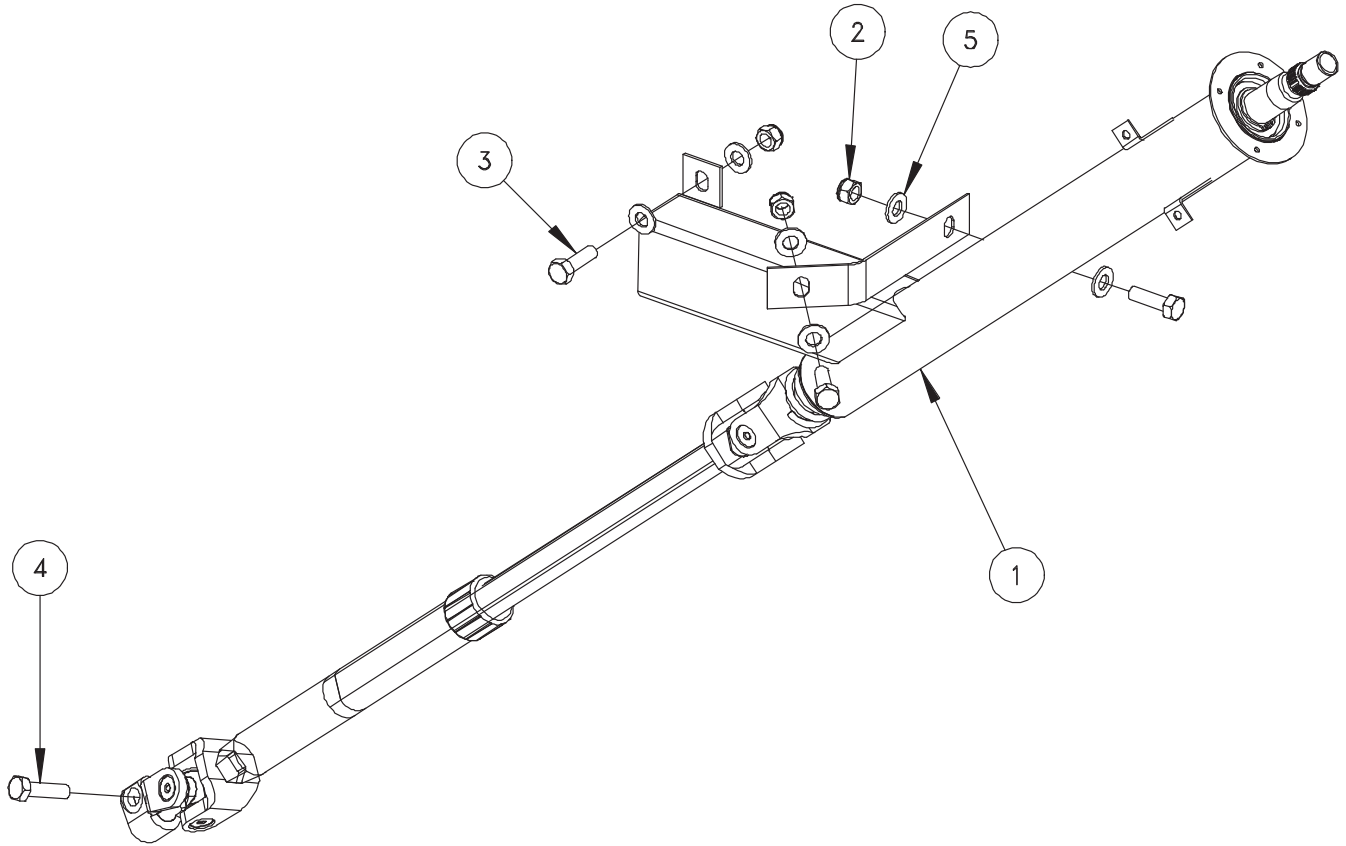


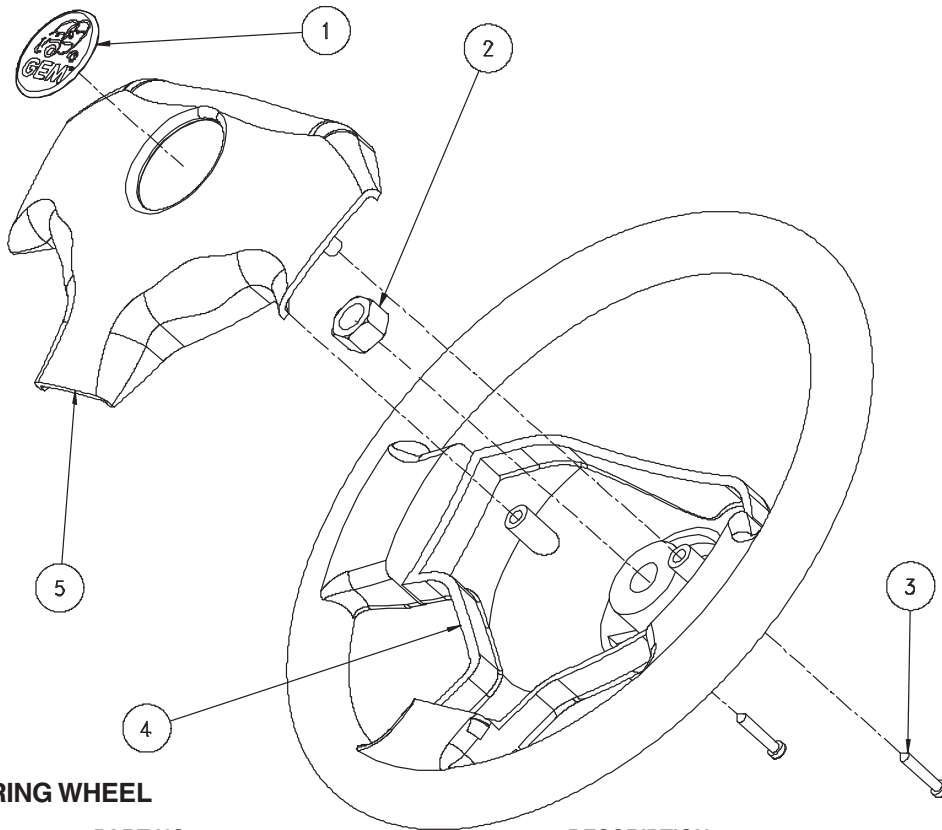
**ASSY, STEERING GEAR - 46 IN WT**

<u>ITEM</u>	<u>PART NO.</u>	<u>DESCRIPTION</u>	<u>QTY.</u>
1	0312-01292	MOUNT, STEERING GEAR	1
2	0521-00017	NUT, HEX - NYLOCK 5/16-18 UNC GR5 ZN	10
3	0522-00016	BOLT, HEX - 5/16 - 18 UNC X 1.0 GR 5 ZINC PLATED	4
4	0522-00144	BOLT, HEX - 5/16 - 18 UNC X .75 GR 5 ZINC PLATED	4
5	0522-00403	BOLT, HEX - 5/16 - 18 UNC X 3.75 GR 5 ZINC PLATED	2
6	0524-00003	WASHER, FLAT - 5/16 SAE .344 ID X .688 OD X .065 THK ZN	10
7	0612-00432	GEAR, STEERING - 46 IN WIDE	1



**ASSY, STEERING COLUMN - SPLINED**

<u>ITEM</u>	<u>PART NO.</u>	<u>DESCRIPTION</u>	<u>QTY.</u>
1	0112-01210	ASSY, STEERING COLUMN - SPLINED	1
2	0521-00017	NUT, HEX - NYLOCK 5/16-18 UNC GR5 ZN	3
3	0522-00016	BOLT, HEX - 5/16 - 18 UNC X 1.0 GR 5 ZINC PLATED	3
4	0522-00293	BOLT, HEX - M8 X 1.25 X 30MM LG BLK OX	1
5	0524-00003	WASHER, FLAT - 5/16 SAE .344 ID X .688 OD X .065 THK ZN	6



**ASSY, STEERING WHEEL**

<u>ITEM</u>	<u>PART NO.</u>	<u>DESCRIPTION</u>	<u>QTY.</u>
1	0350-01511	DECAL, STEERING WHEEL	1
2	0521-00343	NUT, HEX - NYLOCK M14 X 1.52 P	1
3	0523-00177	SCREW, HI-LOW - PHIL PAN # 10 X 1 BLANK ZINC	2
4	0612-00034	WHEEL, STEERING	1
5	0612-00043	COVER, STEERING WHEEL	1



**CENTER - STEERING WHEEL WITH CLIP**

<u>ITEM</u>	<u>PART NO.</u>	<u>DESCRIPTION</u>	<u>QTY.</u>
1	0107-00527	CENTER-STEERING WHEEL WITH CUP	1
2	*	PENCIL	1
3	*	SCORE CARD	1

\*STARRED ITEMS ARE SHOWN FOR REFERENCE ONLY. STARRED ITEMS ARE NOT AVAILABLE SEPARATELY.