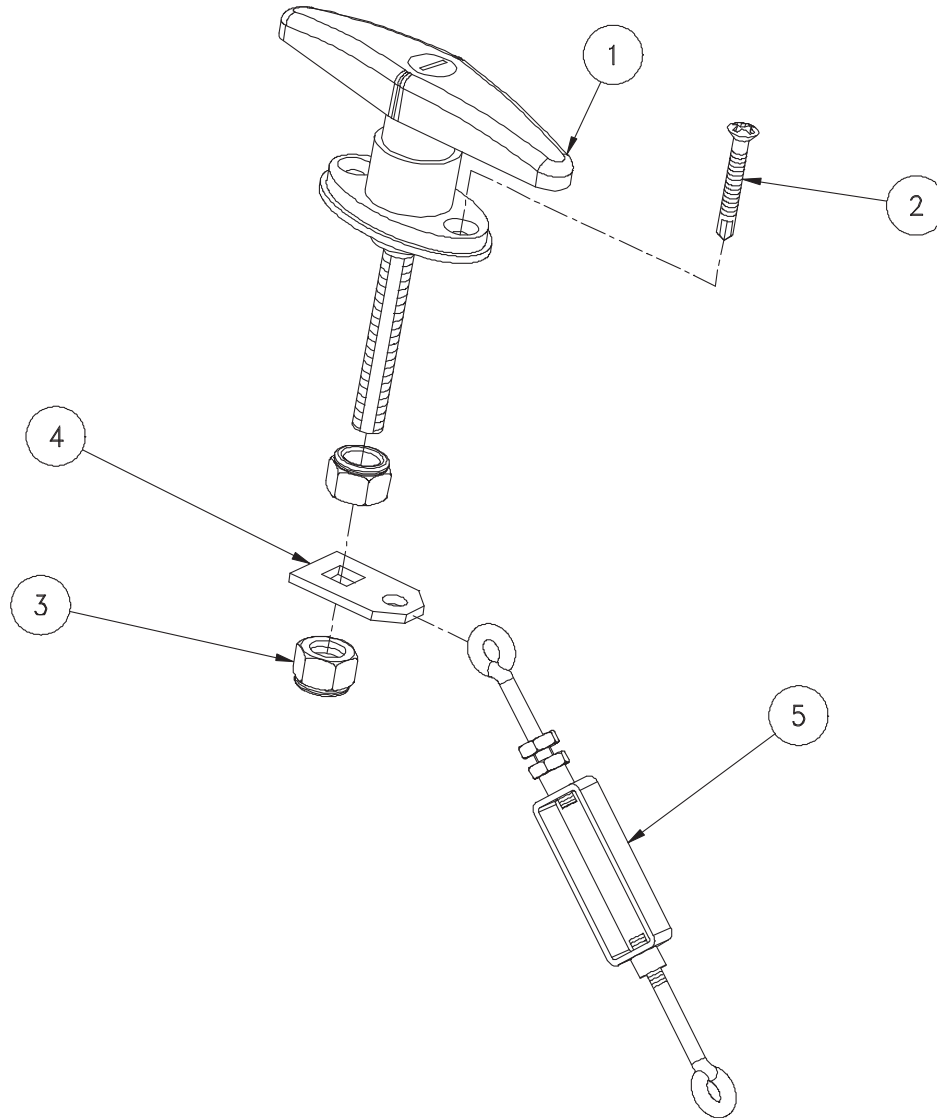


ASSY, LATCH - PACK

<u>ITEM</u>	<u>PART NO.</u>	<u>DESCRIPTION</u>	<u>QTY.</u>
1	0309-00283	PLATE, LATCH MOUNT	1
2	0521-00050	NUT, HEX - NYLOCK 1/4-20 UNC GR5 ZN	2
3	0521-00251	NUT, HEX - NYLOCK L/N 5/16 - 18 NTE THIN ZN	2
4	0522-00056	BOLT, HEX - 1/4 - 20 UNC X 1.0 GR 8 ZN YL ZINC PLATED	2
5	0522-00228	BOLT, TORX HD 5/16 - 18 X 1 1/4" ZN PL	2
6	0609-00045	LATCH, PACK - -	1

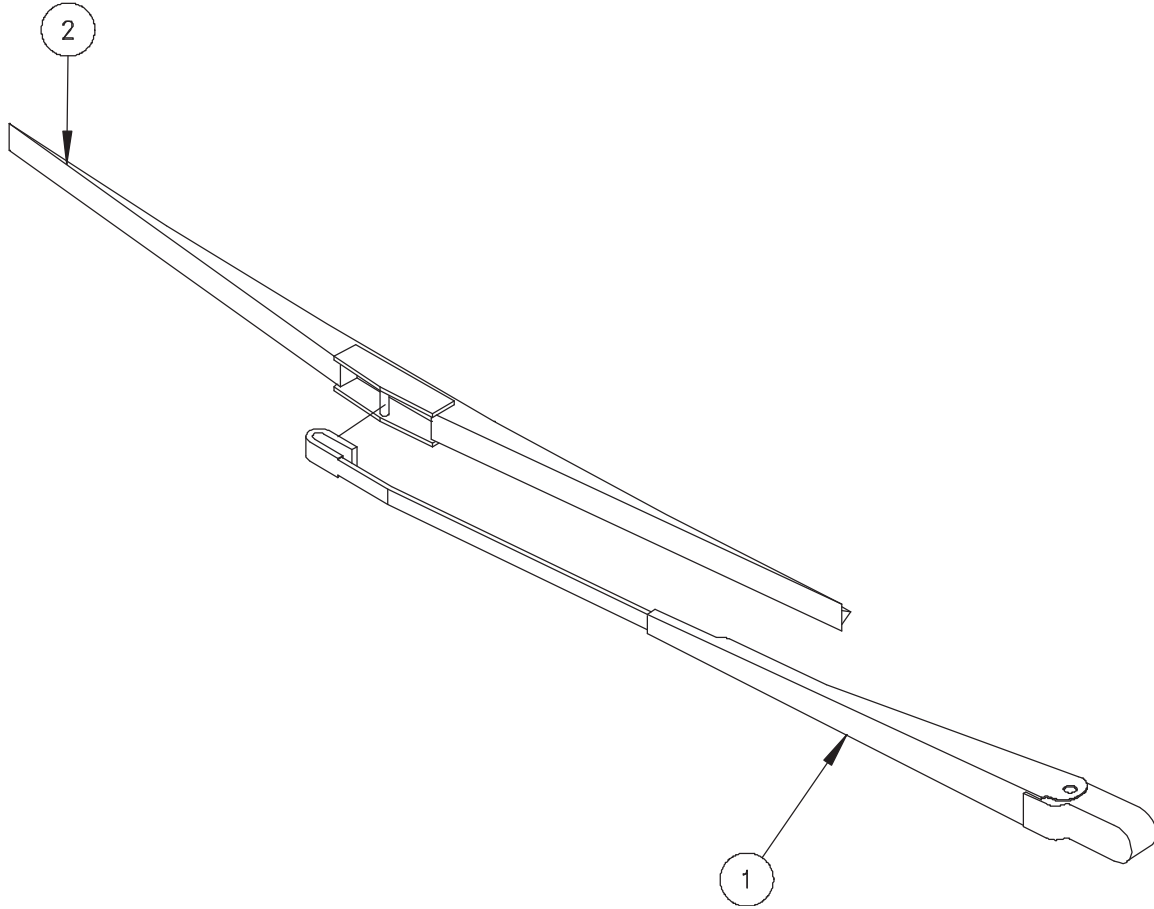
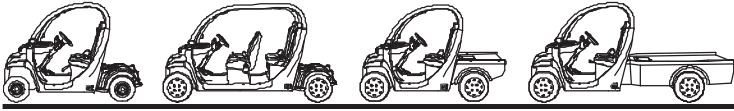


ASSY, T - HANDLE - PACK LATCH

<u>ITEM</u>	<u>PART NO.</u>	<u>DESCRIPTION</u>	<u>QTY.</u>
1	**0906-00016	HANDLE, LOCK - SWIVEL PAK (ORDER P/N 0906-00016 FOR ES AND EL MODELS)	1
1	***0906-00017	HANDLE, LOCK - SWIVEL PAK (ORDER P/N 0906-00017 FOR E2 AND E4 MODELS)	1
2	0523-00200	SCREW, TEK - PHI OVL #8-18 X 1 1/4 #2 PT - -	2
3	0521-00194	NUT, HEX - SERRATED FLANGE 3/8 - 24 ZN	2
4	0309-00854	TAB, TURNBUCKLE - PAK RELEASE	1
5	0609-00098	ASSY, TURNBUCKLE PACK - RELEASE	1

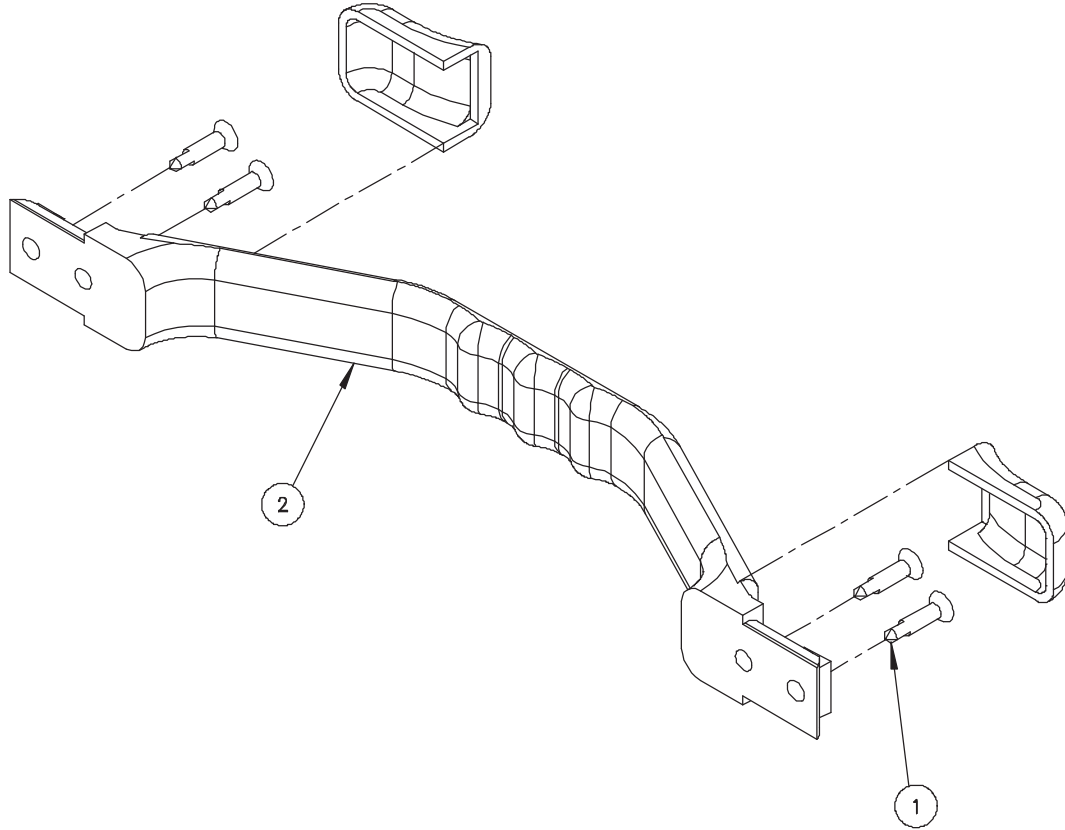
****LOCKS ARE ONLY AVAILABLE AS A COMPLETE MATCHED SET WHICH INCLUDES THE ON/OFF, GLOVE BOX, FUSE BOX PANEL, AND ACCESSORY LOCK HANDLE FOR E2 AND E4 MODELS.**

*****LOCKS ARE ONLY AVAILABLE AS A COMPLETE MATCHED SET WHICH INCLUDES THE ON/OFF, GLOVE BOX, AND FUSE BOX PANEL FOR ES AND EL MODELS.**



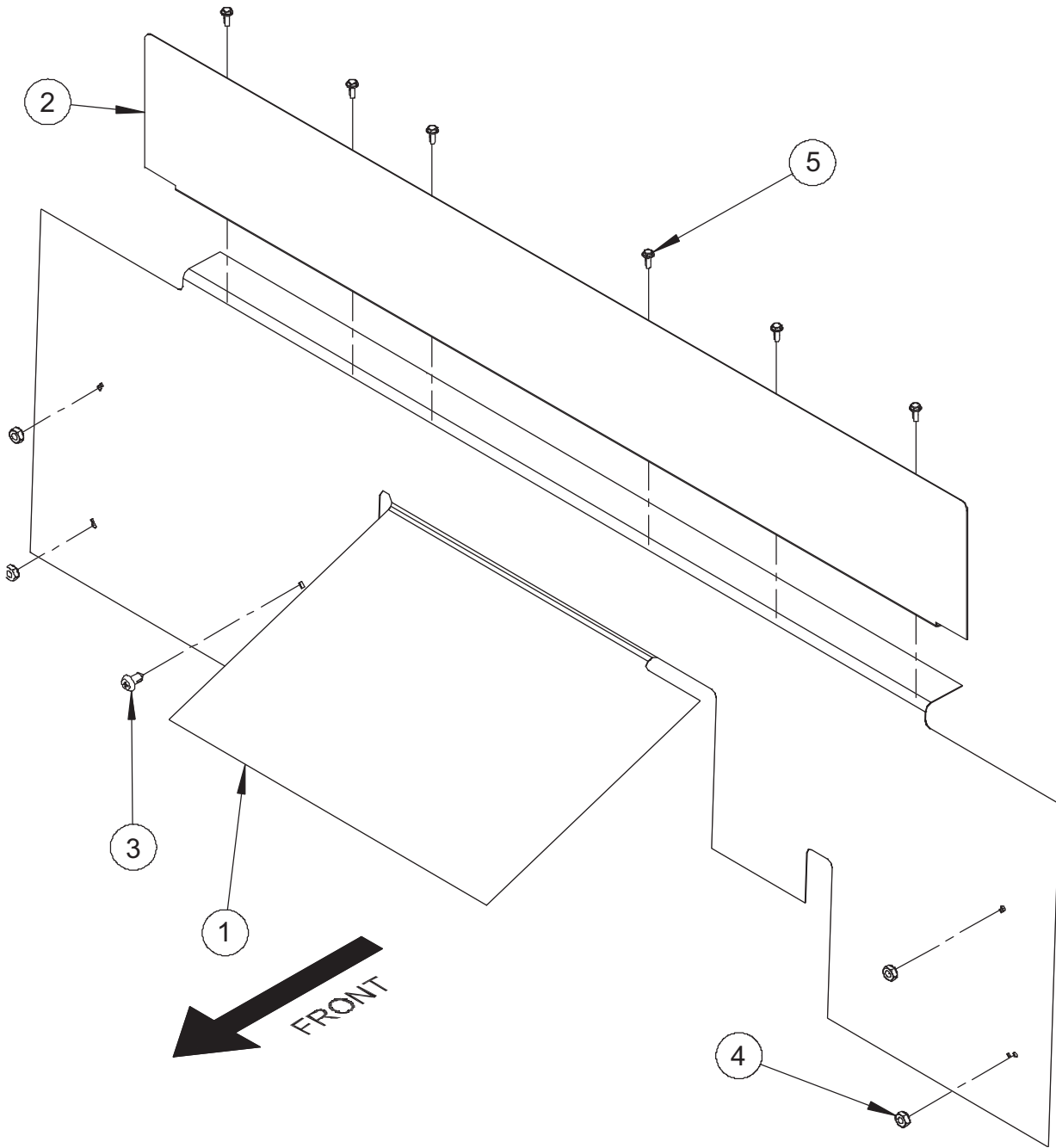
ASSY, WIPER

<u>ITEM</u>	<u>PART NO.</u>	<u>DESCRIPTION</u>	<u>QTY.</u>
1	0310-00979	ARM, WIPER	1
2	0610-00270	BLADE, WIPER	1



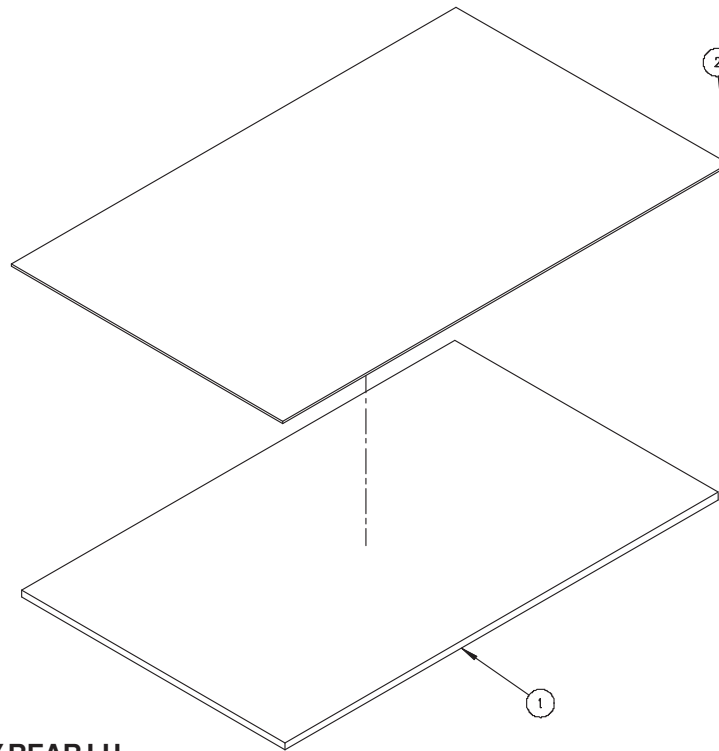
ASSY, GRAB HANDLE

<u>ITEM</u>	<u>PART NO.</u>	<u>DESCRIPTION</u>	<u>QTY.</u>
1	0523-00105	SCREW, SELF DRILL - #8-18 X 3/4 - -	4
2	0610-00080	GRAB HANDLE	1



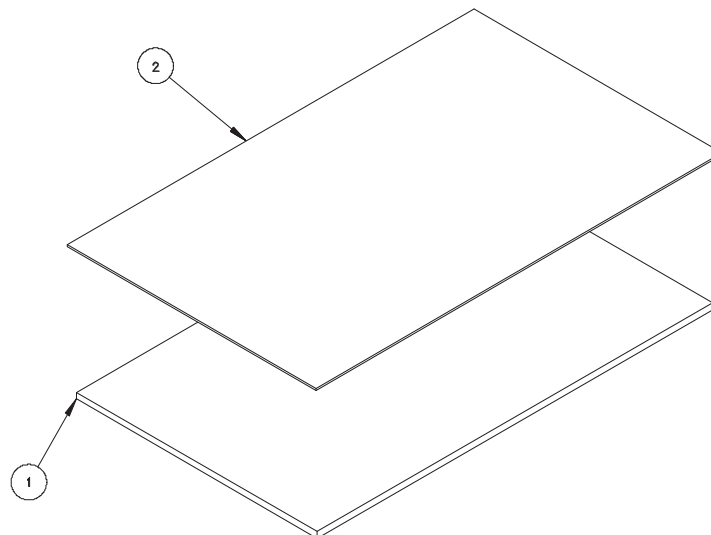
ASSY, SPLASH PROTECTION

<u>ITEM</u>	<u>PART NO.</u>	<u>DESCRIPTION</u>	<u>QTY.</u>
1	0310-01593	SHEET, ONE-PIECE SPLASH PROTECTION	1
2	0310-01470	ANGLE, SPLASH PROTECTION	1
3	0520-00175	RIVET, PIN - REMOVABLE	1
4	0521-00071	NUT, KEPS - 1/4 - 20 UNC ZINC PLATED GR 5 ZINC PLATED	4
5	0523-00163	SCREW, HEX - WHSD 10 - 16 X 1/2 # 2 POINT STL BLK ZINC - -	6



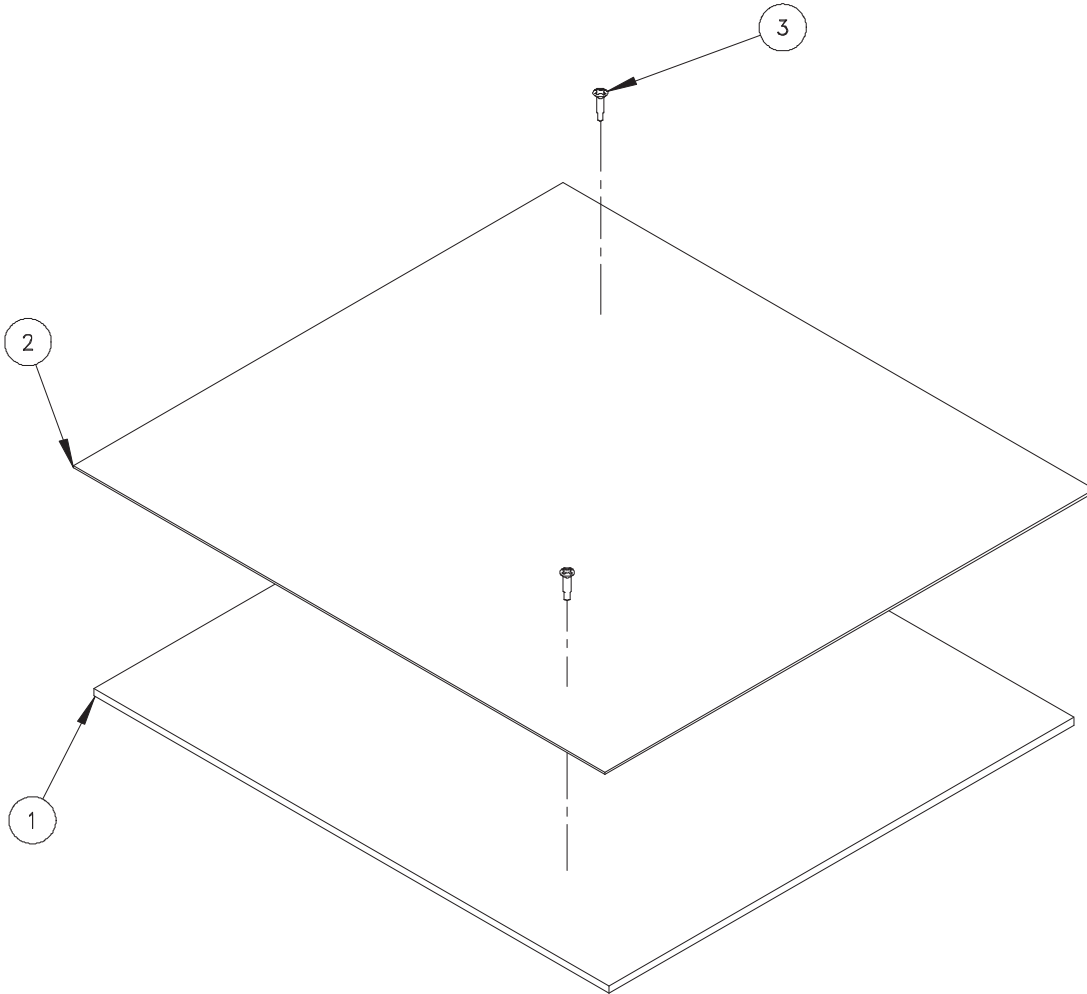
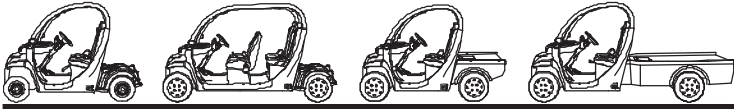
ASSY, BATTERY TRAY REAR LH

<u>ITEM</u>	<u>PART NO.</u>	<u>DESCRIPTION</u>	<u>QTY.</u>
1	0310-00349	BASE, BATTERY TRAY - REAR SIDE	1
2	0310-00350	MAT, BATTERY TRAY REAR SIDE	1



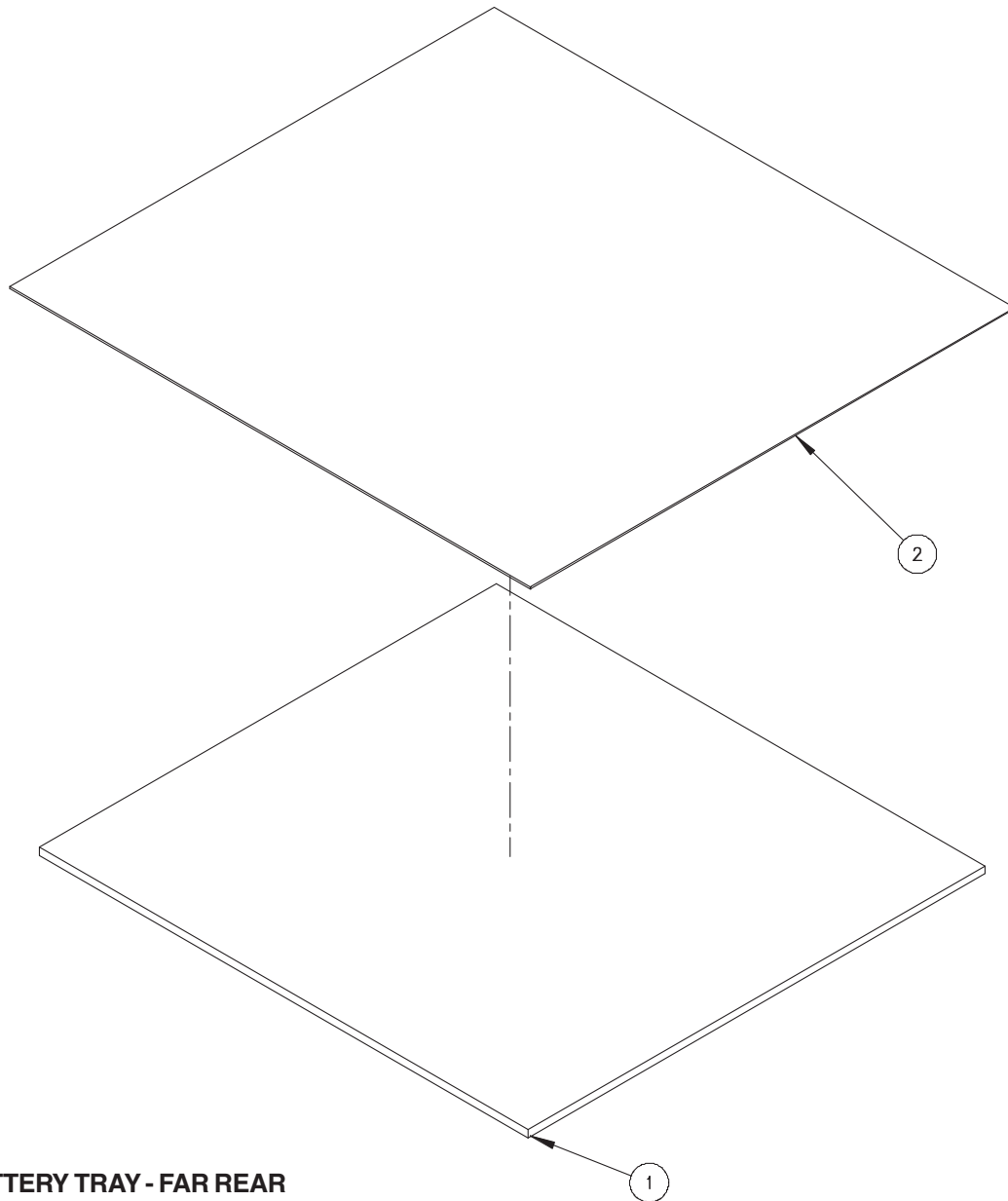
ASSY, BATTERY TRAY - REAR RH

<u>ITEM</u>	<u>PART NO.</u>	<u>DESCRIPTION</u>	<u>QTY.</u>
1	0310-00349	BASE, BATTERY TRAY - REAR SIDE	1
2	0310-00350	MAT, BATTERY TRAY REAR SIDE	1



ASSY, BATTERY TRAY - REAR MID

<u>ITEM</u>	<u>PART NO.</u>	<u>DESCRIPTION</u>	<u>QTY.</u>
1	0310-00347	BASE, BATTERY TRAY - REAR MID	1
2	0310-00348	MAT, BATTERY TRAY REAR MID -	1
3	0523-00105	SCREW, DRILL- #8-18 x 3/4 PH OVAL #2 ZIN	2



ASSY, BATTERY TRAY - FAR REAR

<u>ITEM</u>	<u>PART NO.</u>	<u>DESCRIPTION</u>	<u>QTY.</u>
1	0310-01481	BASE, BATTERY TRAY - REAR	1
2.	0310-01482	MAT, BATTERY TRAY - REAR	1