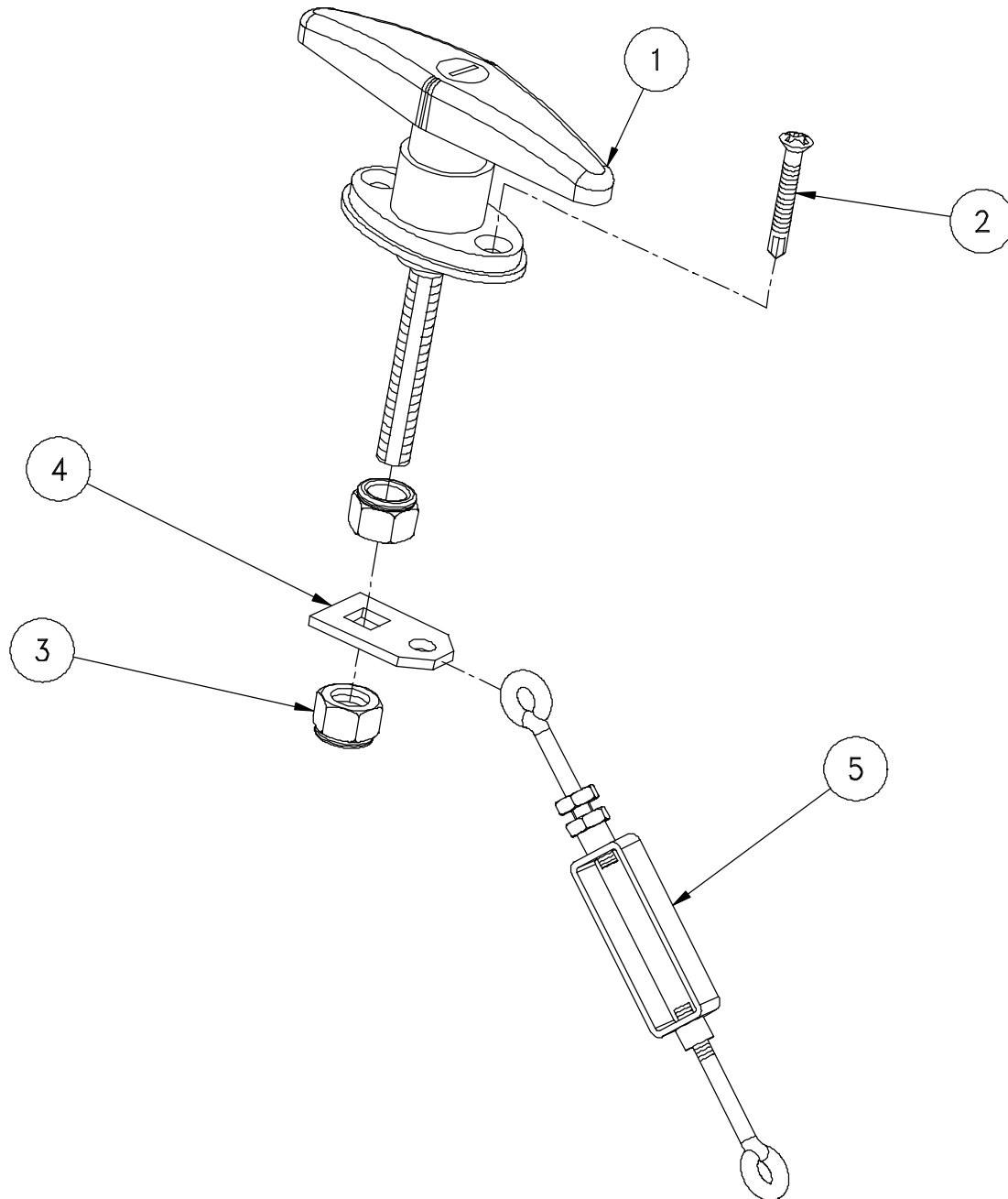


L0109-00071

**ASSY, LATCH-PACK**

<u>ITEM</u>	<u>PART NO.</u>	<u>DESCRIPTION</u>	<u>QTY.</u>
1	0309-00283	PLATE, LATCH MOUNT	1
2	0521-00050	NUT, HEX - NYLOCK 1/4-20 UNC GR5 ZN	2
3	0521-00251	NUT, HEX - NYLOCK L/N 5/16 - 18 NTE THIN ZN	2
4	0522-00056	BOLT, HEX - 1/4 - 20 UNC X 1.0 GR 8 ZN YL ZINC PLATED	2
5	0522-00228	BOLT, TORX HD 5/16 - 18 X 1 1/4" ZN PL	2
6	0609-00045	LATCH, PACK --	1



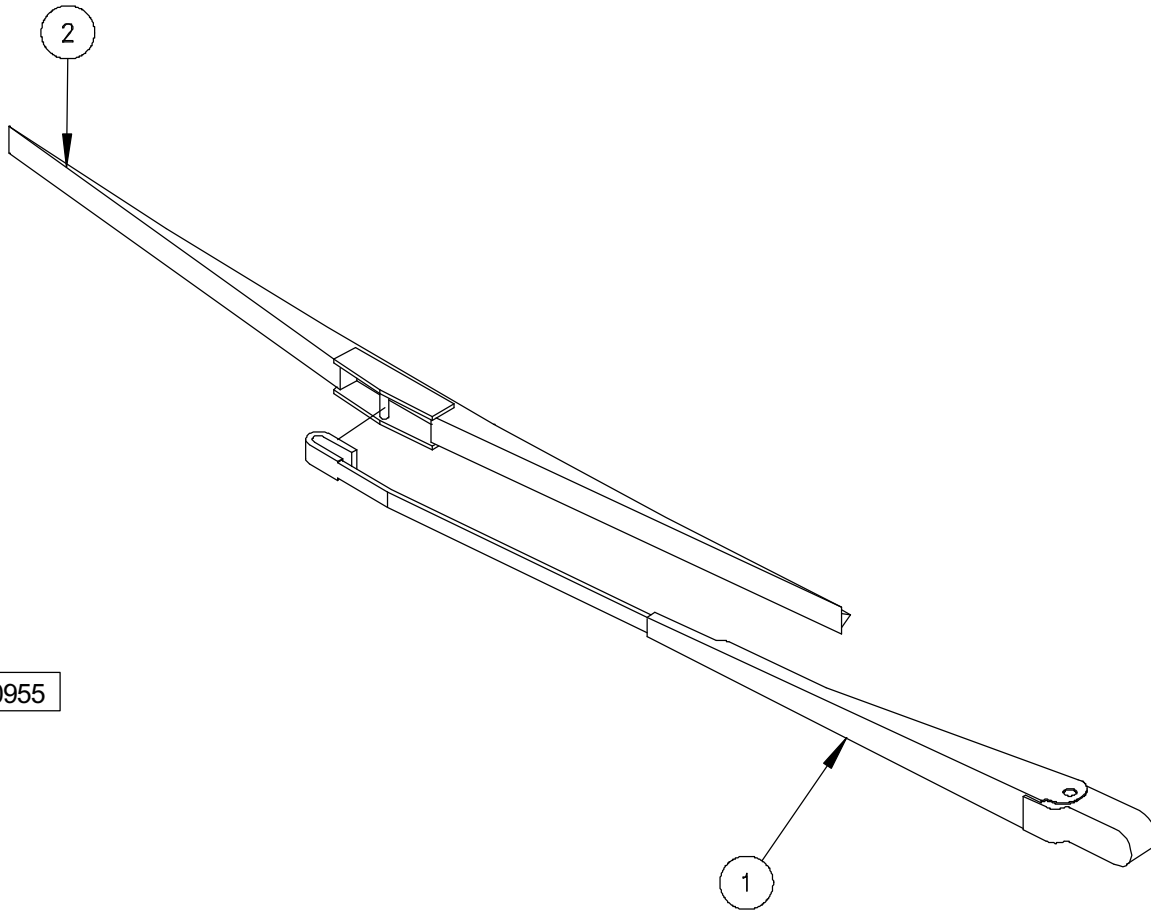
L0109-00953

**ASSY, T - HANDLE - PAK LATCH**

<u>ITEM</u>	<u>PART NO.</u>	<u>DESCRIPTION</u>	<u>QTY.</u>
1	*0906-00016	HANDLE, LOCK - SWIVEL PAK (ORDER P/N 0906-00016 FOR ES AND EL MODELS)	1
1	*0906-00017	HANDLE, LOCK - SWIVEL PAK (ORDER P/N 0906-00017 FOR E2 AND E4 MODELS)	1
2	0523-00200	SCREW, TEK - PHI OVL #8-18 X 1 1/4 #2 PT - -	2
3	0521-00194	NUT, HEX - SERRATED FLANGE 3/8 - 24 ZN	2
4	0309-00854	TAB, TURNBUCKLE - PAK RELEASE	1
5	0609-00098	ASSY, TURNBUCKLE PAK - RELEASE	1

\* LOCKS ARE ONLY AVAILABLE AS A COMPLETE MATCHED SET WHICH INCLUDES THE ON/OFF, GLOVE BOX, FUSE BOX PANEL, AND ACCESSORY LOCK HANDLE FOR E2 AND E4 MODELS.

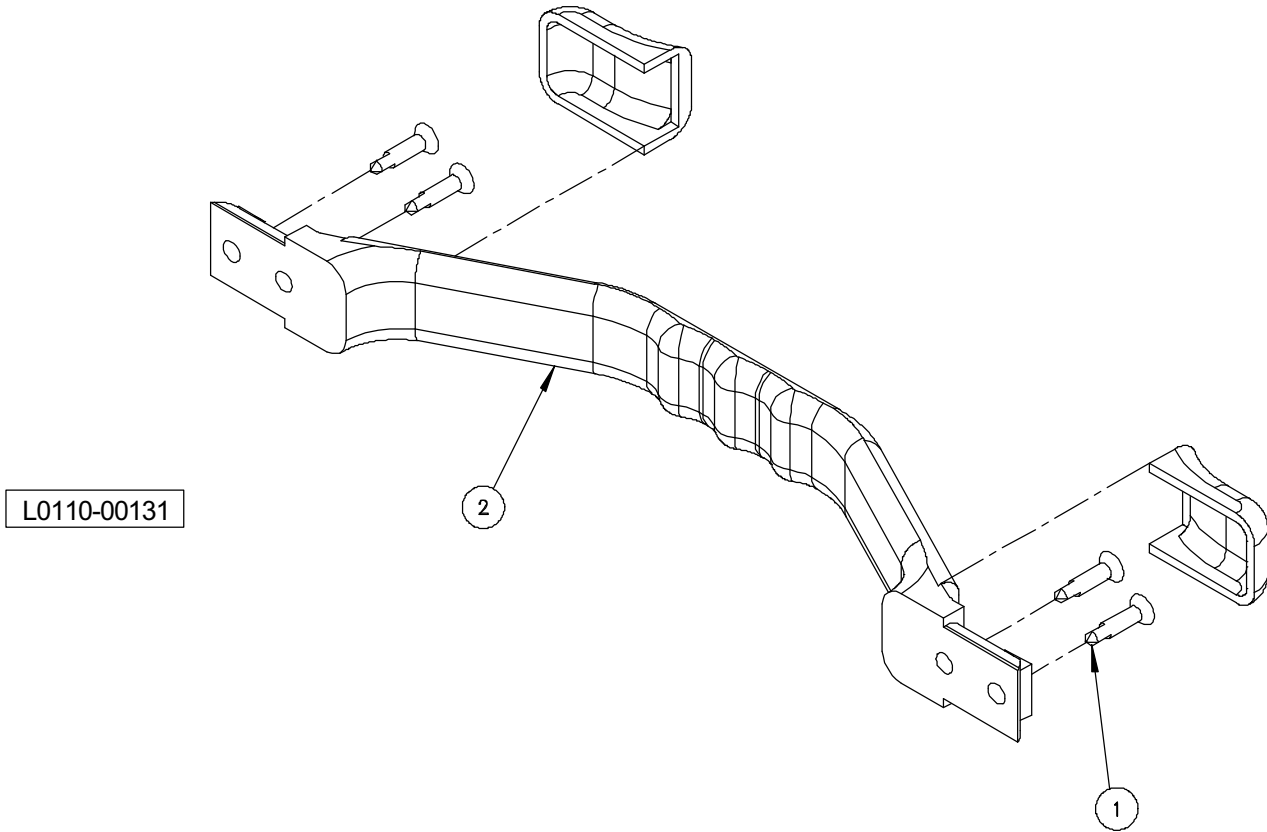
\* LOCKS ARE ONLY AVAILABLE AS A COMPLETE MATCHED SET WHICH INCLUDES THE ON/OFF, GLOVE BOX, AND FUSE BOX PANEL FOR ES AND EL MODELS.



L0110-00955

**ASSY, WIPER**

<u>ITEM</u>	<u>PART NO.</u>	<u>DESCRIPTION</u>	<u>QTY.</u>
1	0310-00979	ARM, WIPER	1
2	0610-00270	BLADE, WIPER	1

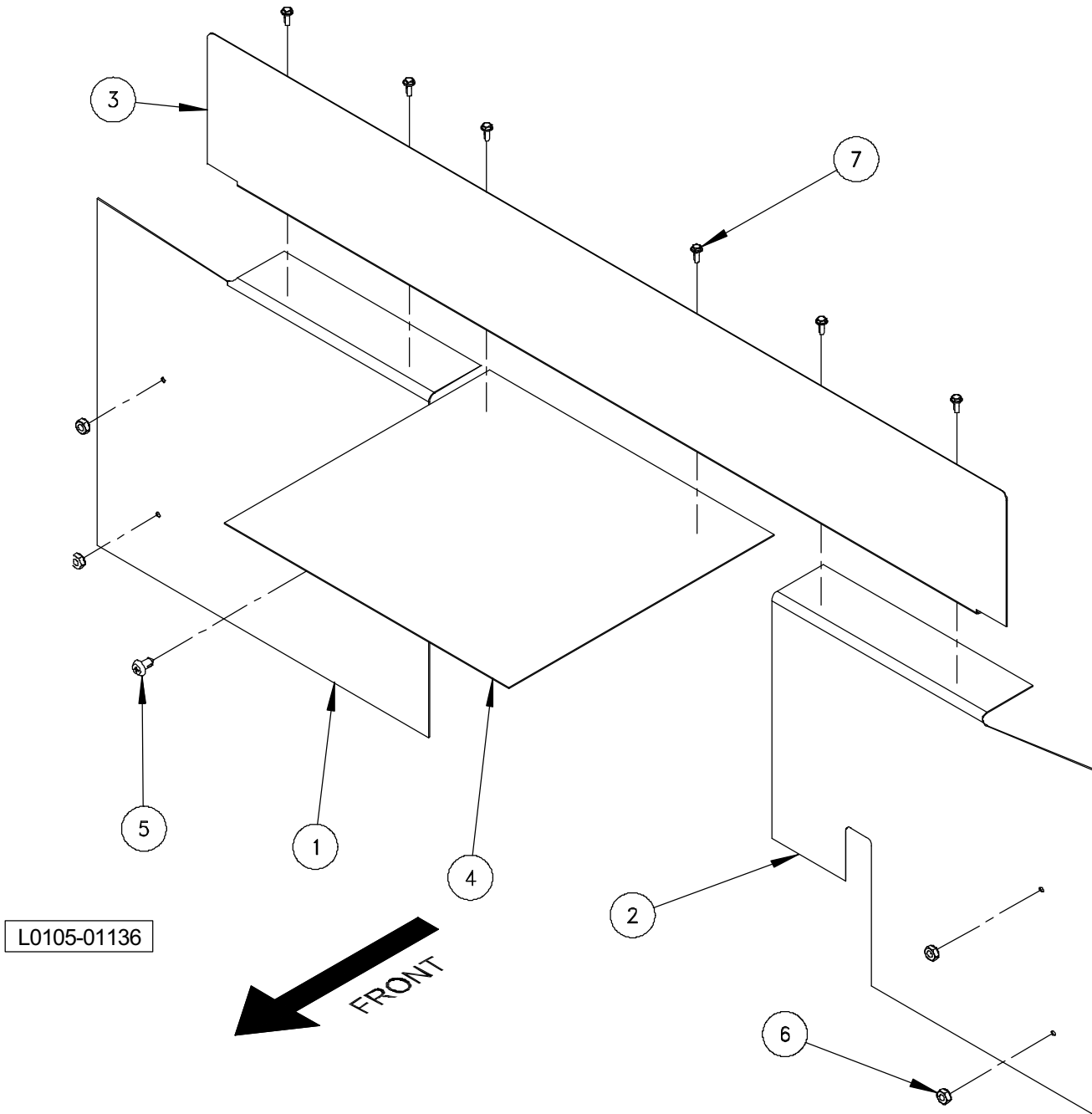


L0110-00131

**ASSY, GRAB HANDLE**

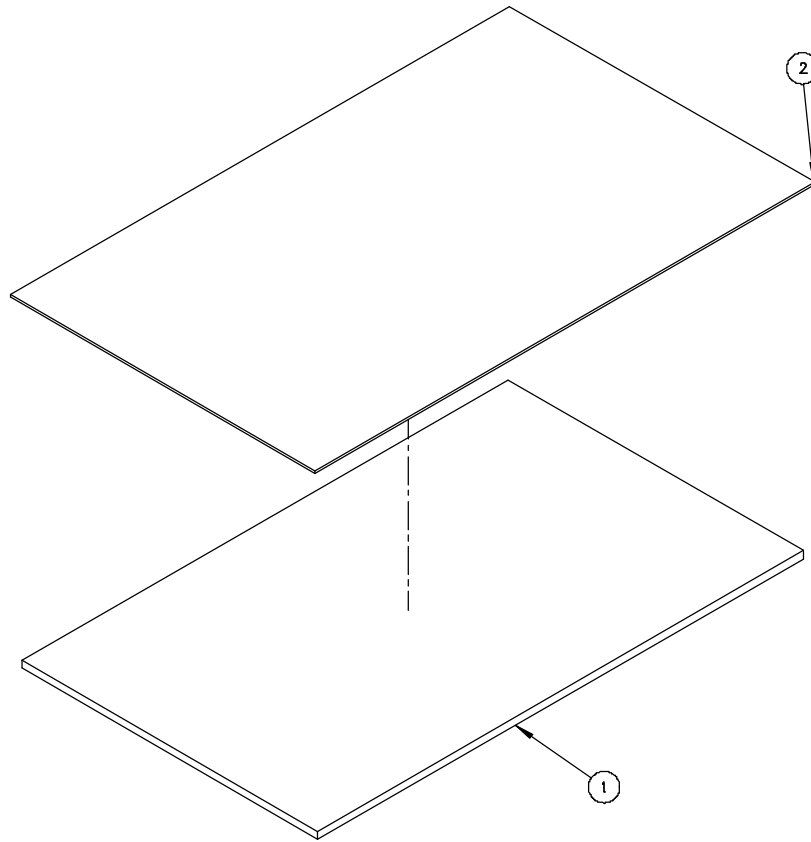
<u>ITEM</u>	<u>PART NO.</u>	<u>DESCRIPTION</u>
1	0523-00105	SCREW, SELF DRILL - #8-18 X 3/4 --
2	0610-00080	GRAB HANDLE

<u>QTY.</u>
4
1



**ASSY, SPLASH PROTECTION**

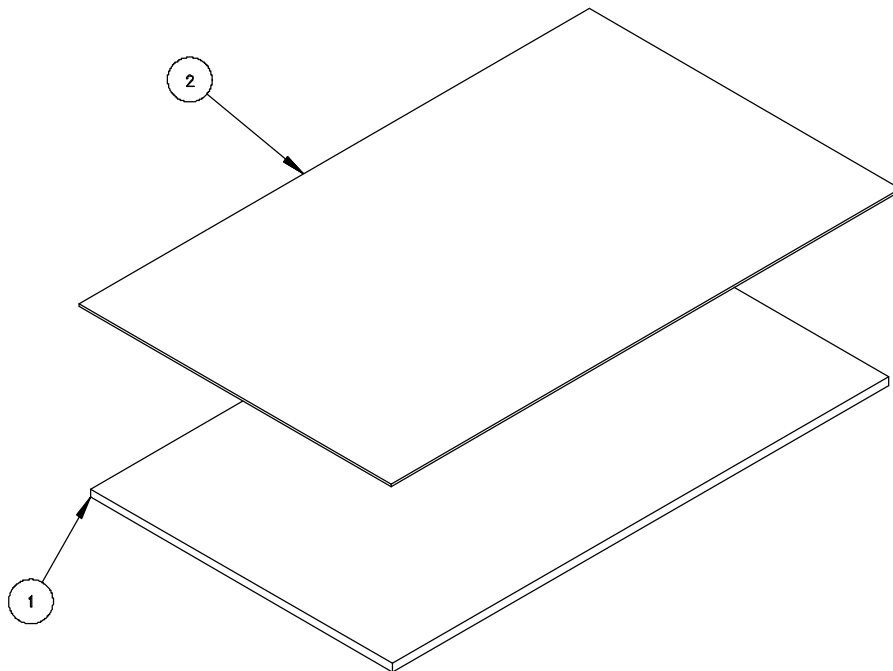
<u>ITEM</u>	<u>PART NO.</u>	<u>DESCRIPTION</u>	<u>QTY.</u>
1	0310-01460	SHEET, SPLASH PROTECTION - R	1
2	0310-01461	SHEET, SPLASH PROTECTION - L	1
3	0310-01470	ANGLE, SPASH PROTECTION	1
4	0310-01482	MAT, BATTERY TRAY - REAR	1
5	0520-00175	RIVET, PIN - REMOVABLE	1
6	0521-00071	NUT,KEPS - 1/4 - 20 UNC ZINC PLATED GR 5 ZINC PLATED	4
7	0523-00163	SCREW, HEX - WHSD 10 - 16 X 1/2 # 2 POINT STL BLK ZINC - -	6



L0110-00078

**ASSY, BATTERY TRAY REAR LH**

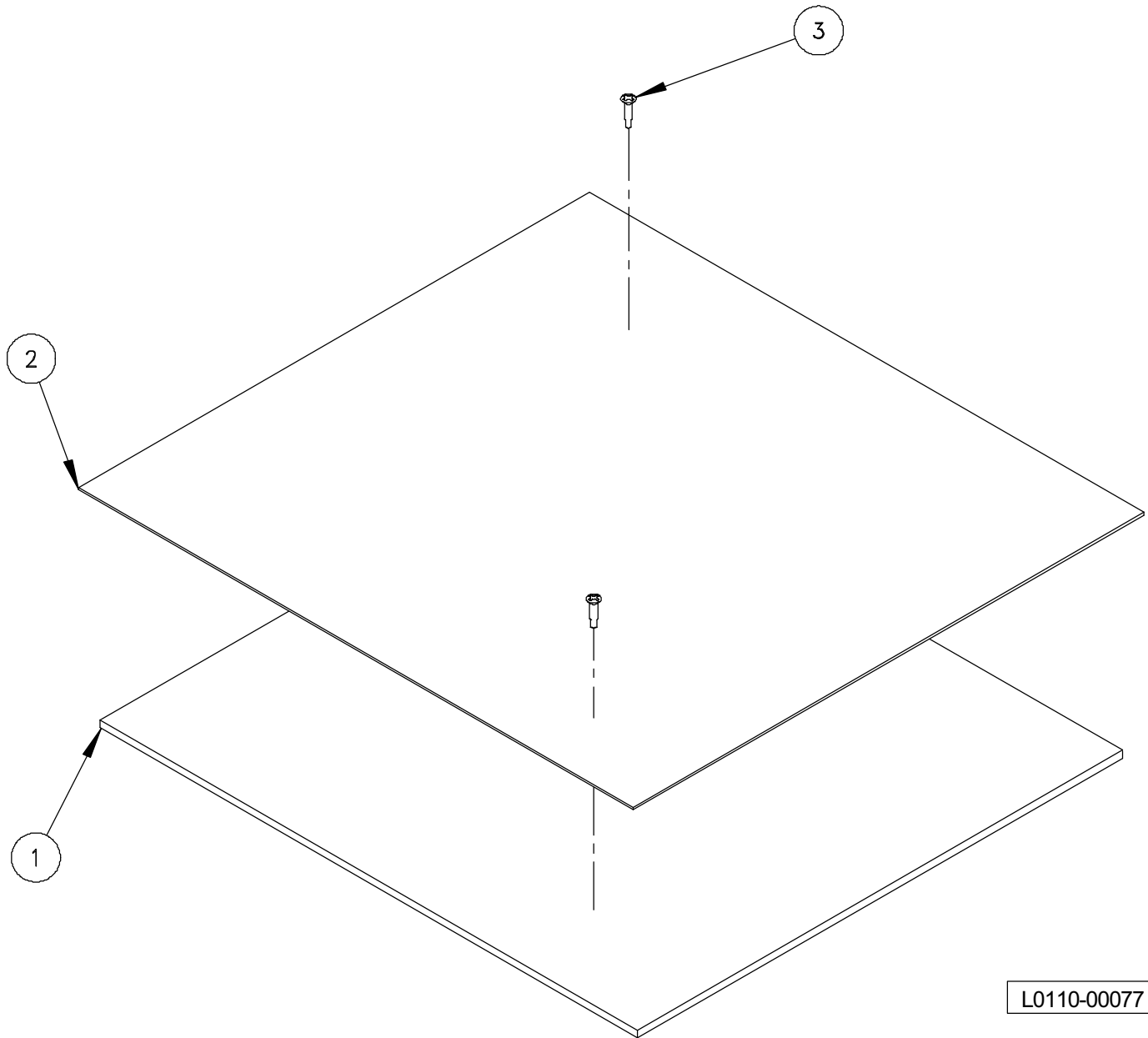
<u>ITEM</u>	<u>PART NO.</u>	<u>DESCRIPTION</u>	<u>QTY.</u>
1	0310-00349	BASE, BATTERY TRAY - REAR SIDE	1
2	0310-00350	MAT, BATTERY TRAY REAR SIDE	1



L0110-00079

**ASSY, BATTERY TRAY - REAR RH**

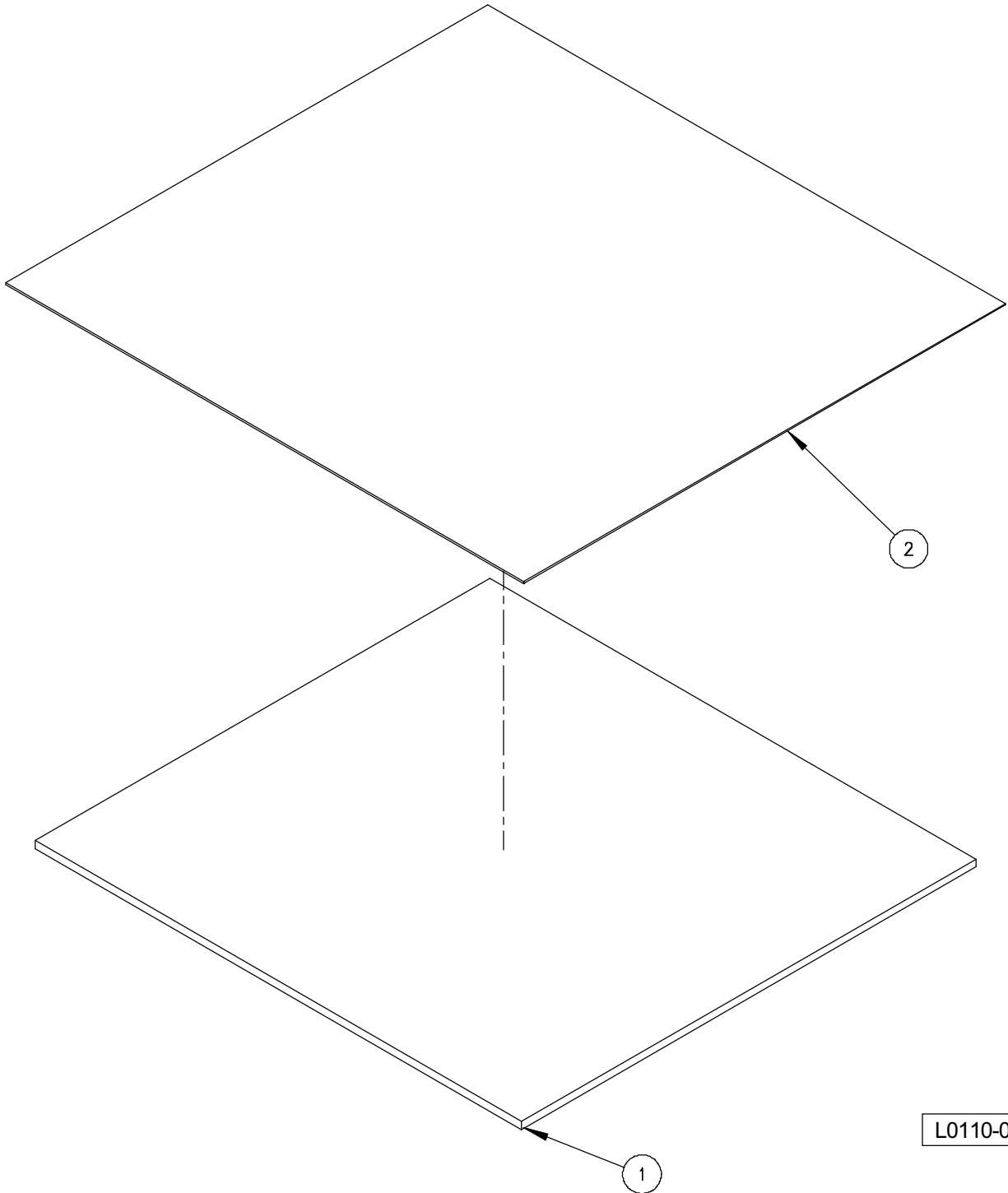
<u>ITEM</u>	<u>PART NO.</u>	<u>DESCRIPTION</u>	<u>QTY.</u>
1	0310-00349	BASE, BATTERY TRAY - REAR SIDE	1
2	0310-00350	MAT, BATTERY TRAY REAR SIDE	1



L0110-00077

**ASSY, BATTERY TRAY - REAR MID**

<u>ITEM</u>	<u>PART NO.</u>	<u>DESCRIPTION</u>	<u>QTY.</u>
1	0310-00347	BASE, BATTERY TRAY - REAR MID	1
2	0310-00348	MAT, BATTERY TRAY REAR MID -	1
3	0523-00105	SCREW, DRILL- #8-18 x 3/4 PH OVAL #2 ZIN	2



**ASSY, BATTERY TRAY - FAR REAR**

<u>ITEM</u>	<u>PART NO.</u>	<u>DESCRIPTION</u>	<u>QTY.</u>
1	0310-01481	BASE, BATTERY TRAY - REAR	1
2	0310-01482	MAT, BATTERY TRAY - REAR	1

<u>QTY.</u>
1
1