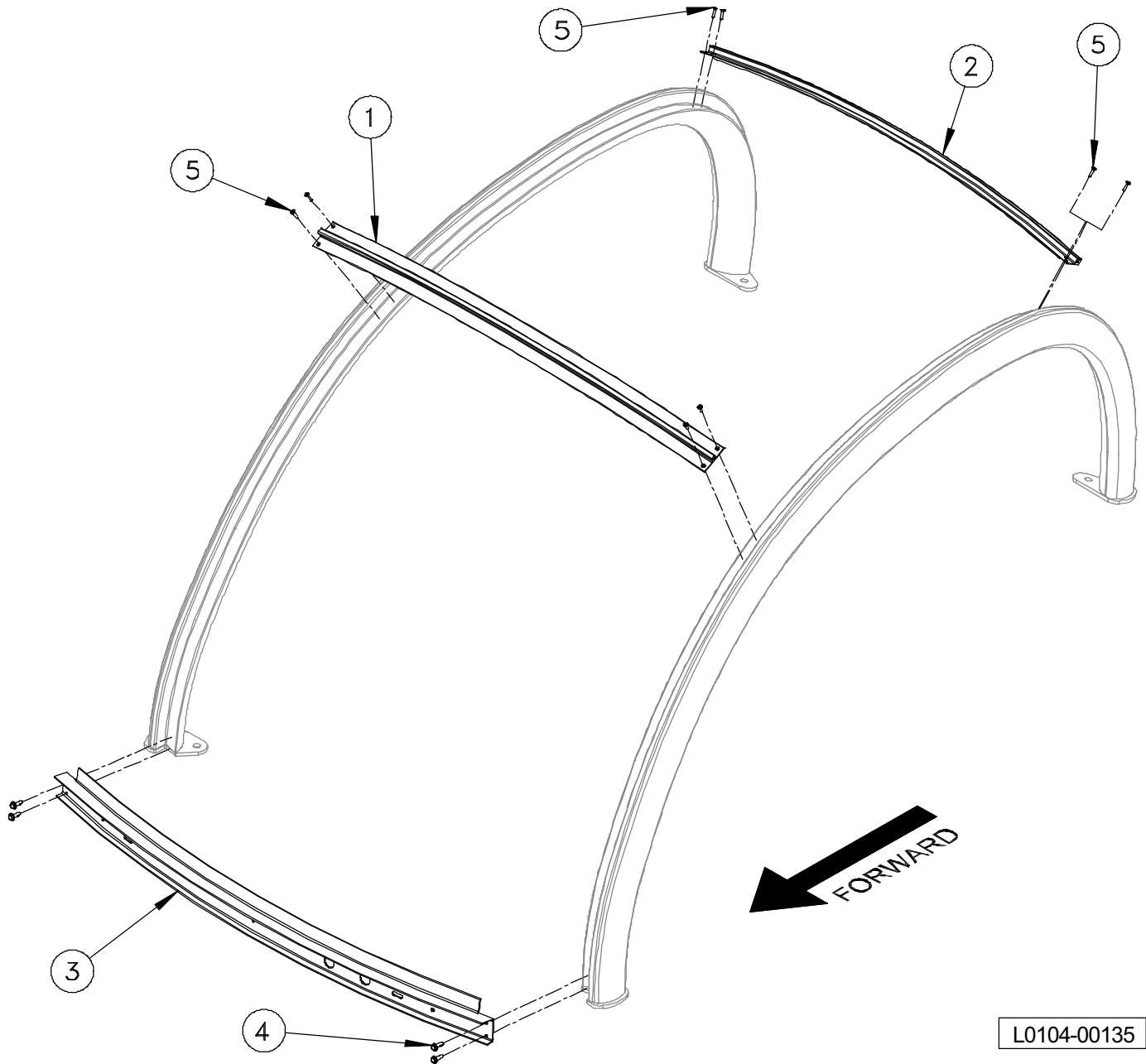
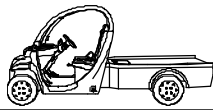


L0104-00134

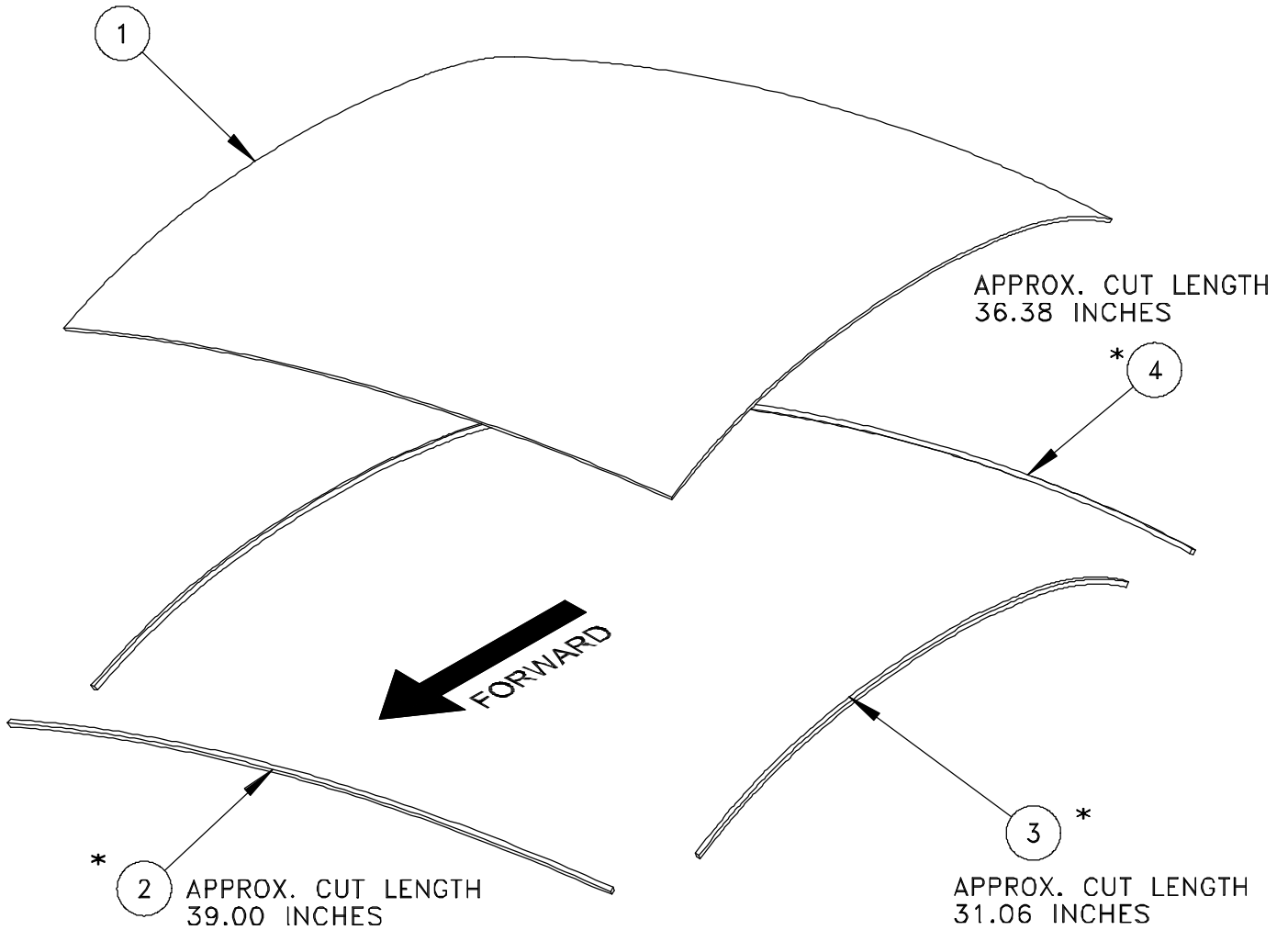
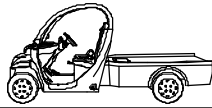
ASSY, ROOF RAILS - 2 PASS

ITEM	PART NO.	DESCRIPTION	QTY.
1	0204-00086	WELDMENT, ROOF RAIL 2 PASS LH - PAINTED	1
2	0204-00087	WELDMENT, ROOF RAIL 2 PASS RH - PAINTED	1
3	0521-00024	NUT, HEX FLANGE 1/2-13 UNC GR 6 TECH LOCK	4
4	0522-00021	BOLT, HEX - 1/2 - 13 UNC X 1.0 GR 8 ZN YL ZINC PLATED	2
5	0522-00059	BOLT, HEX - 1/2 - 13 UNC X 2.5 LG GR 8 ZINC PLATED	2
6	0524-00115	WASHER, FLAT - M12 13mm ID X 24mm OD X 2.5mm THK	2



ASSY, ROOF SUPPORTS - 2 PASS

<u>ITEM</u>	<u>PART NO.</u>	<u>DESCRIPTION</u>	<u>QTY.</u>
1	0304-00146	SUPPORT, WINDSHIELD - UPPER FR	1
2	0304-00148	SUPPORT, ROOF - REAR - 2PASS	1
3	0304-00149	SUPPORT, WINDSHIELD - LOWER FR	1
4	0523-00032	SCREW, HEX - WASHER HEAD SELF DRILL 1/4	4
5	0523-00057	SCREW, C'SNK PHIL FLAT - #6 X 3/4 STAINL	8

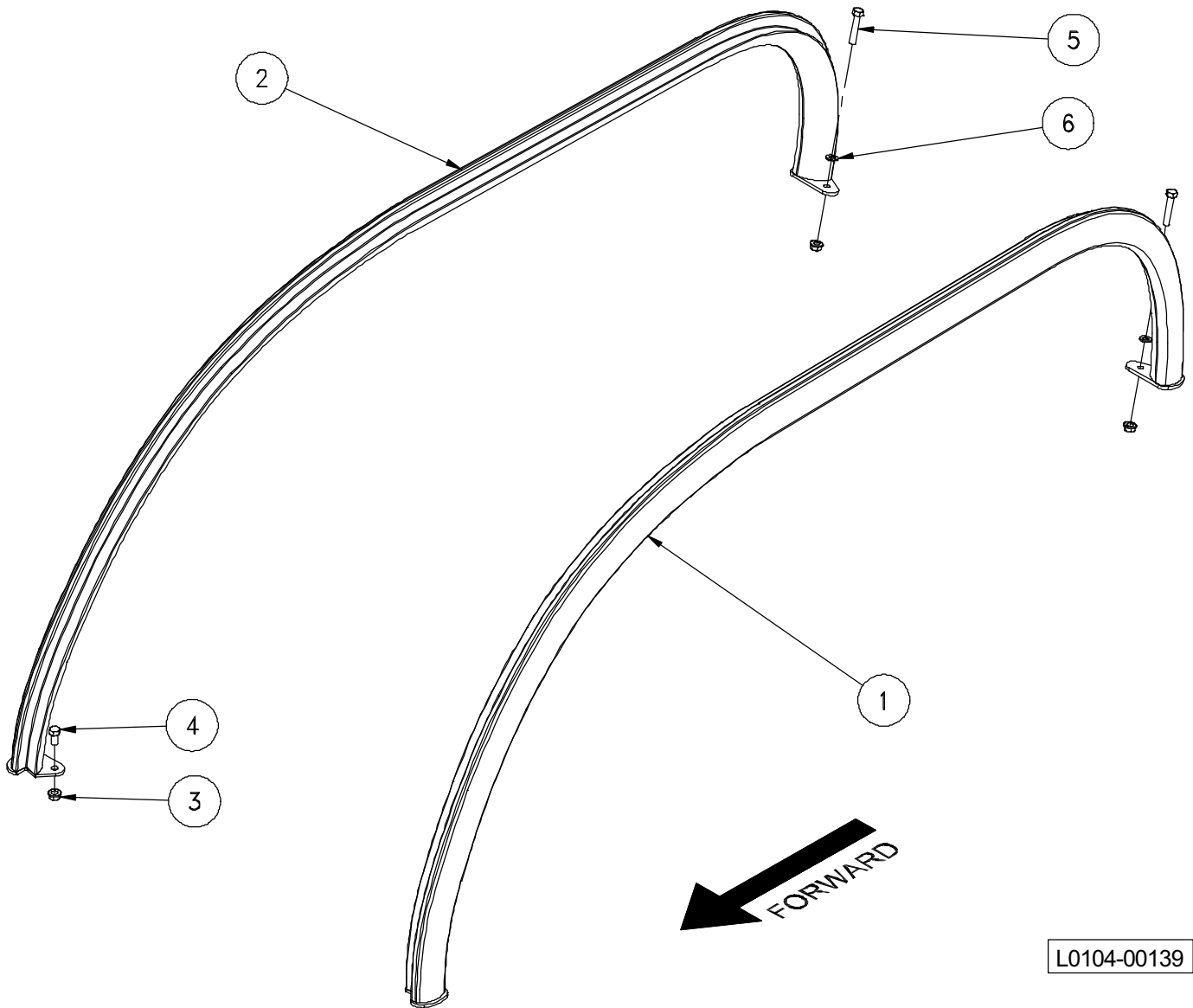


L0104-00137

ASSY, ROOF PANEL - 2 PASS

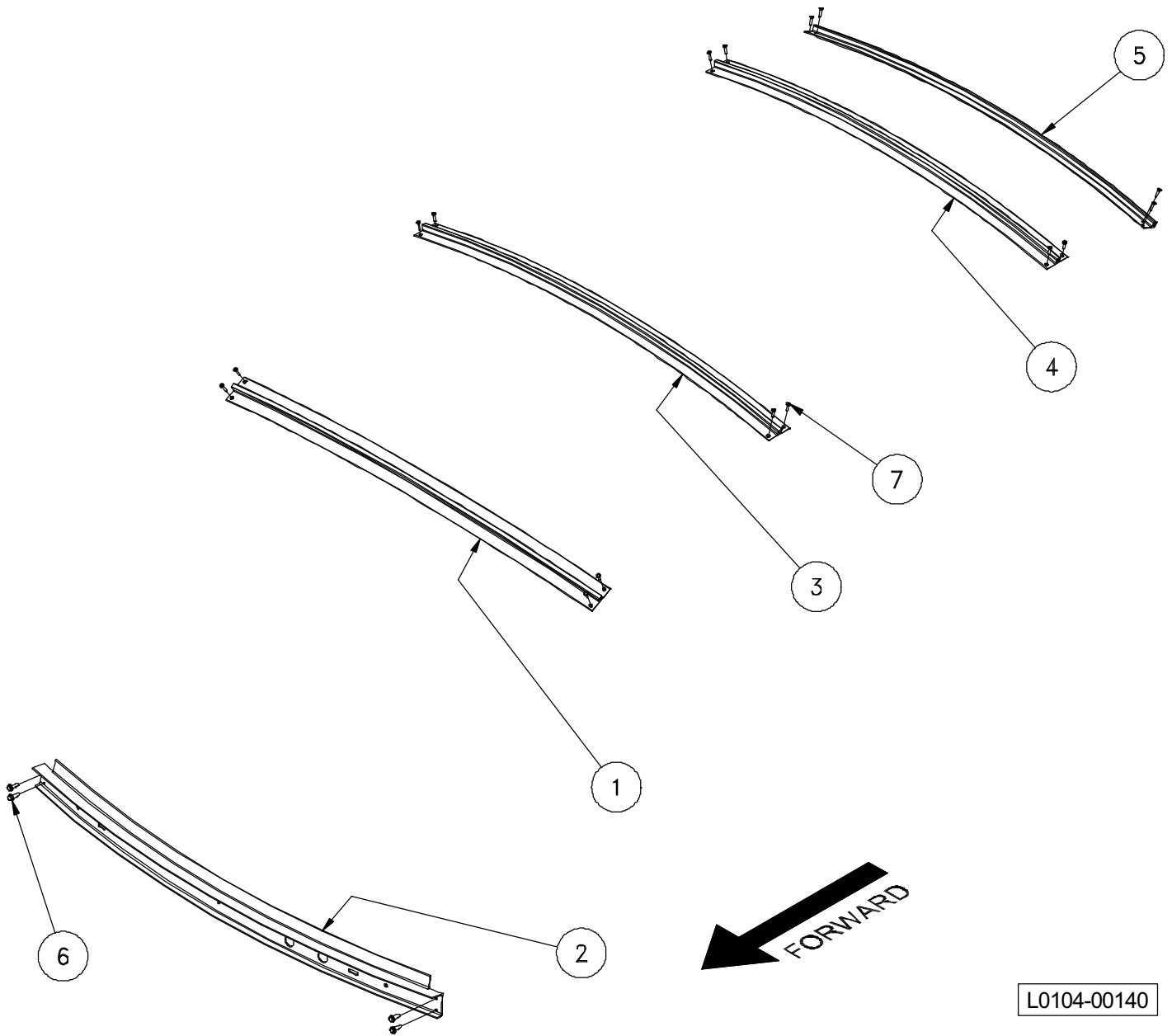
ITEM	PART NO.	DESCRIPTION	QTY.
1	0304-00157	PANEL, ROOF 2 PASS -	1
2*	0417-00065	FOAM, VINYL-PVC VF-5600 SERIES .250 X .250 X 50 FT ROLL (Formerly 0304-00184 - STRIP, WEATHER UPPER WINDSHEILD)	1
3*	0417-00065	FOAM, VINYL-PVC VF-5600 SERIES .250 X .250 X 50 FT ROLL (Formerly 0304-00490 - STRIP, WEATHER ROOF - SIDE)	2
4*	0417-00065	FOAM, VINYL-PVC VF-5600 SERIES .250 X .250 X 50 FT ROLL (Formerly 0304-00491 - STRIP, WEATHER ROOF - REAR)	1

* For any or all of items 2, 3, & 4, use 0417-00065 FOAM, VINYL-PVC VF-5600 SERIES .250 X .250 X 50 FT ROLL (Sold as Entire Roll Only P/N 0417-00065)



ASSY, ROOF RAILS - 4 PASS

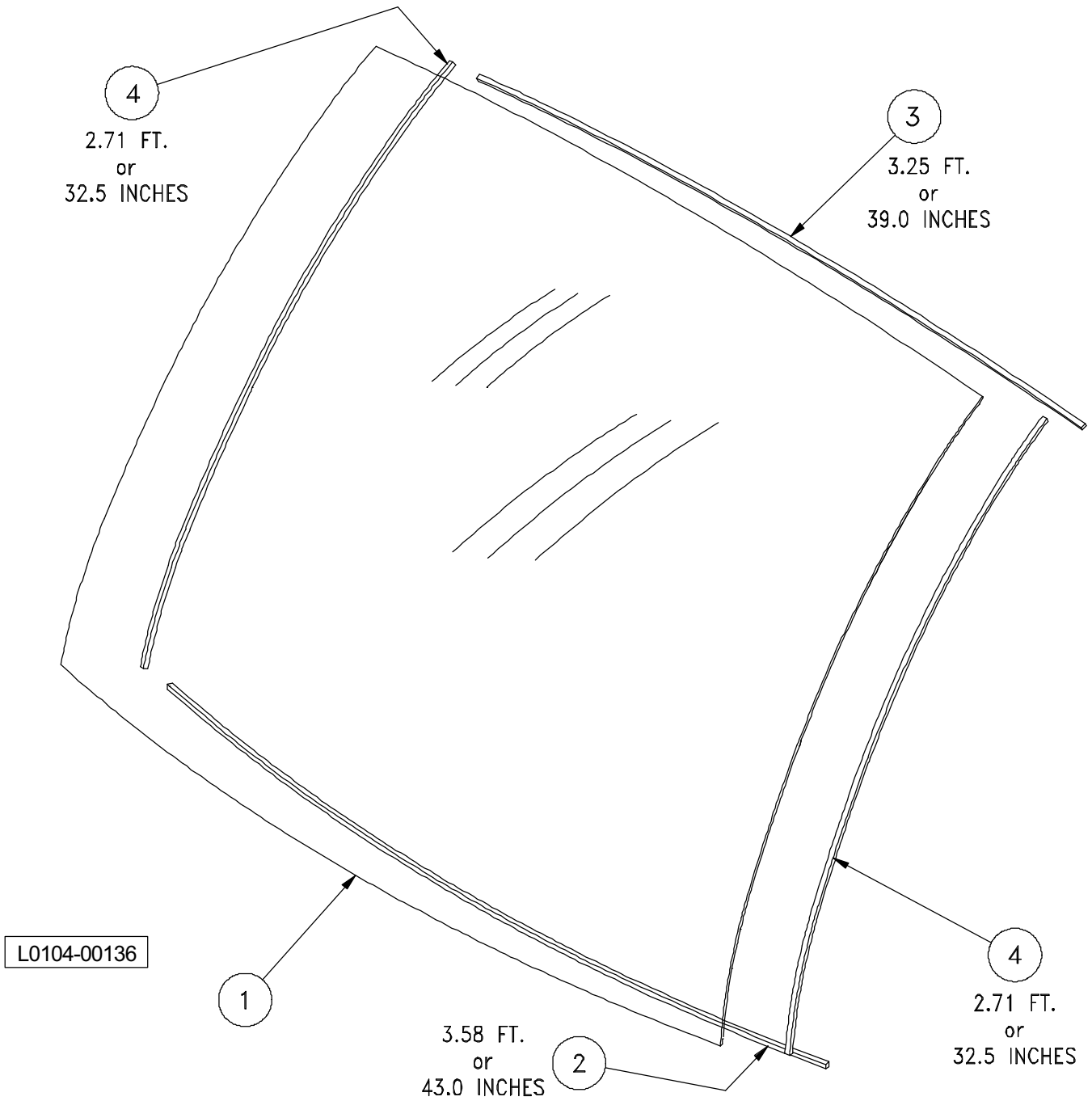
ITEM	PART NO.	DESCRIPTION	QTY.
1	0204-00088	WELDMENT, ROOF RAIL PAINTED	1
2	0204-00089	WELDMENT, ROOF RAIL PAINTED	1
3	0521-00024	NUT, HEX FLANGE 1/2-13 UNC GR 6 TECH LOCK	4
4	0522-00021	BOLT, HEX - HHCS 1/2 - 13 UNC X 1.0 GR 8 ZN YL ZINC PLATED	2
5	0522-00059	BOLT, HEX - HHCS 1/2 - 13 UNC X 2.5 LG GR 8 ZINC PLATED	2
6	0524-00115	WASHER, FLAT - M12 13mm ID X 24mm OD X 2.5mm THK	2



L0104-00140

ASSY, ROOF SUPPORTS - 4 PASS

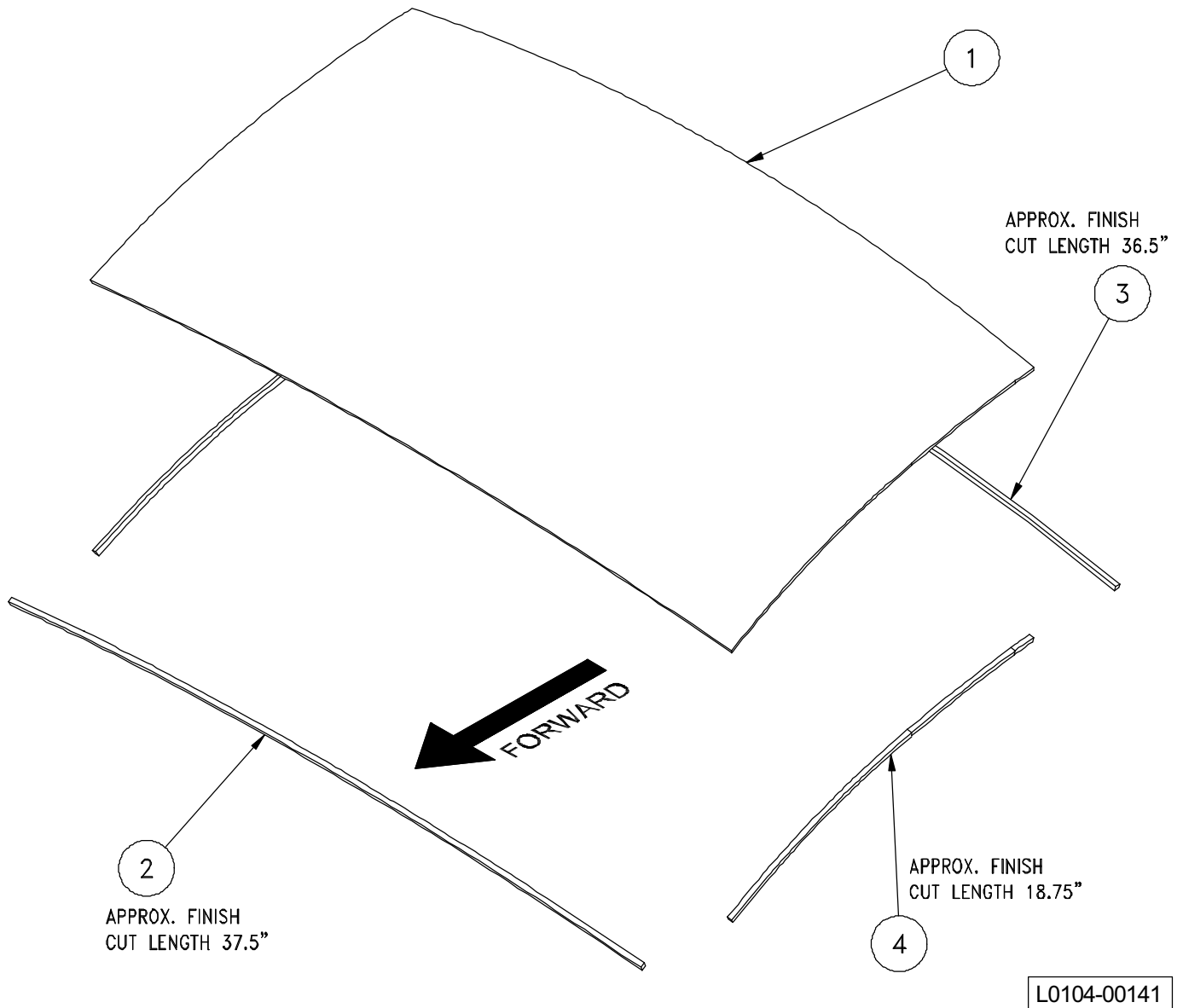
ITEM	PART NO.	DESCRIPTION	QTY.
1	0304-00146	SUPPORT WINDSHIELD UPPER FRONT	1
2	0304-00149	SUPPORT, WINDSHIELD LOWER FRONT	1
3	0304-00152	SUPPORT, SUNROOF FRONT	1
4	0304-00153	SUPPORT, SUNROOF REAR	1
5	0304-00171	SUPPORT, ROOF - REAR 4 PASS	1
6	0523-00032	SCREW, HEX - WHSD 1/4 X .75 ZN	4
7	0523-00057	SCREW, C'SNK PHIL FLAT - #6 X 3/4 LG STAINLESS STEEL	16



ASSY, WIND SHEILD

<u>ITEM</u>	<u>PART NO.</u>	<u>DESCRIPTION</u>	<u>QTY.</u>
1	0304-00170	WINDSHIELD	1
2*	0417-00065	STRIP, WEATHER LOWER WINDSHIELD (Formerly 0304-00183)	1
3*	0417-00065	STRIP, WEATHER UPPER WINDSHEILD (Formerly 0304-00184)	1
4*	0417-00065	STRIP, WEATHER SIDE (Formerly 0304-00185)	2

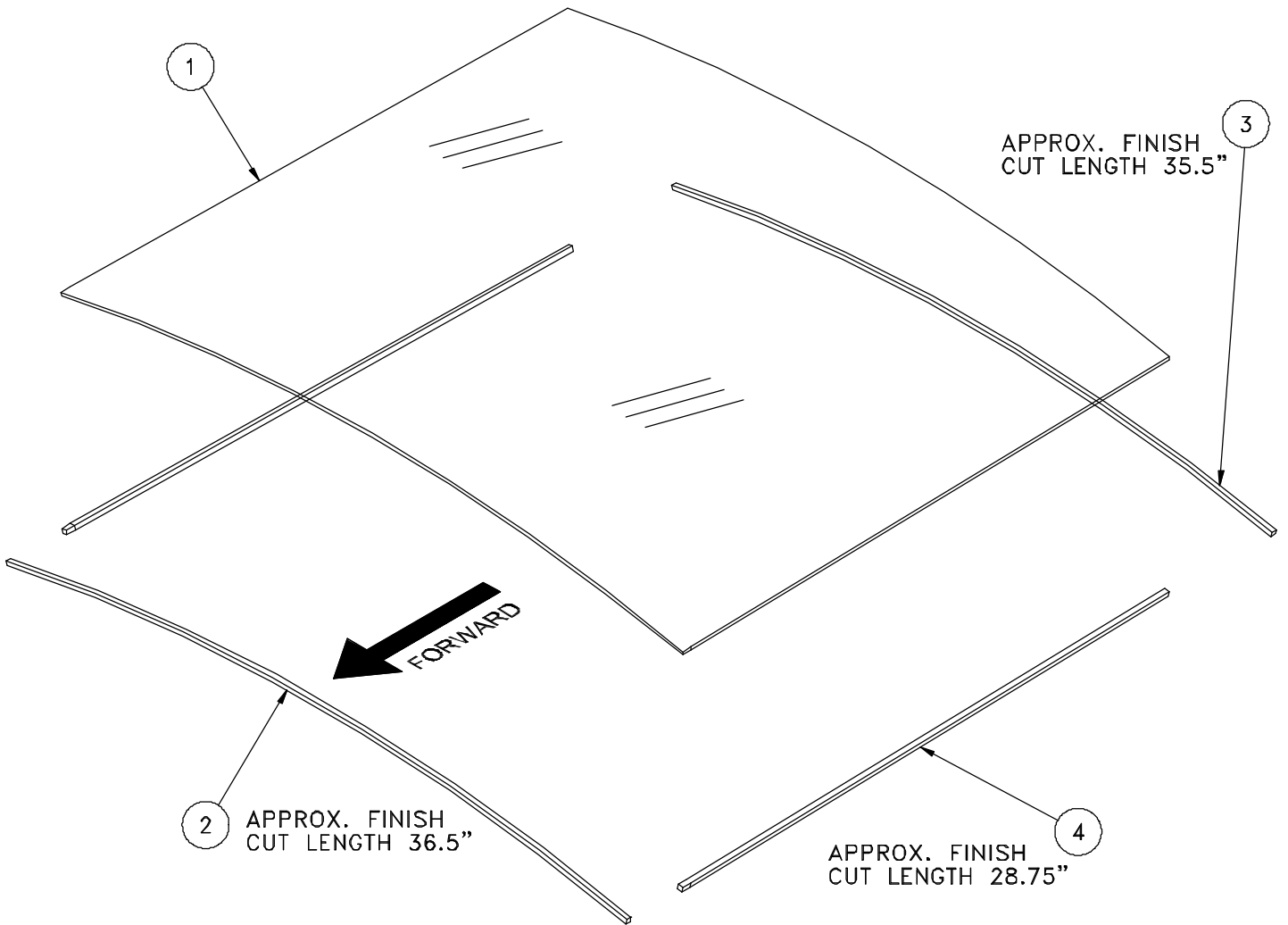
* FOR ANY OR ALL OF ITEMS 2, 3, & 4, USE 0417-00065 FOAM, VINYL - PVC VF-5600 SERIES .250 X .250 X 50 FT ROLL (SOLD ONLY AS ENTIRE ROLL)



ASSY, ROOF PANEL - 4 PASS

ITEM	PART NO.	DESCRIPTION	QTY.
1	0304-00155	PANEL, ROOF 4 PASS FRONT -	1
2	0417-00065	STRIP, WEATHER UPPER WINDSHEILD (Formerly 0304-00184)	1
3	0417-00065	STRIP, WEATHER - FRONT SUNROOF (Formerly 0304-00187)	1
4	0417-00065	STRIP, WEATHER SIDE FRONT ROOF (Formerly 0304-00186)	2

* For any or all of items 2, 3, & 4, use 0417-00065 FOAM, VINYL - PVC VF-5600 SERIES .250 X .250 X 50 FT ROLL (Sold Only as Entire Roll)

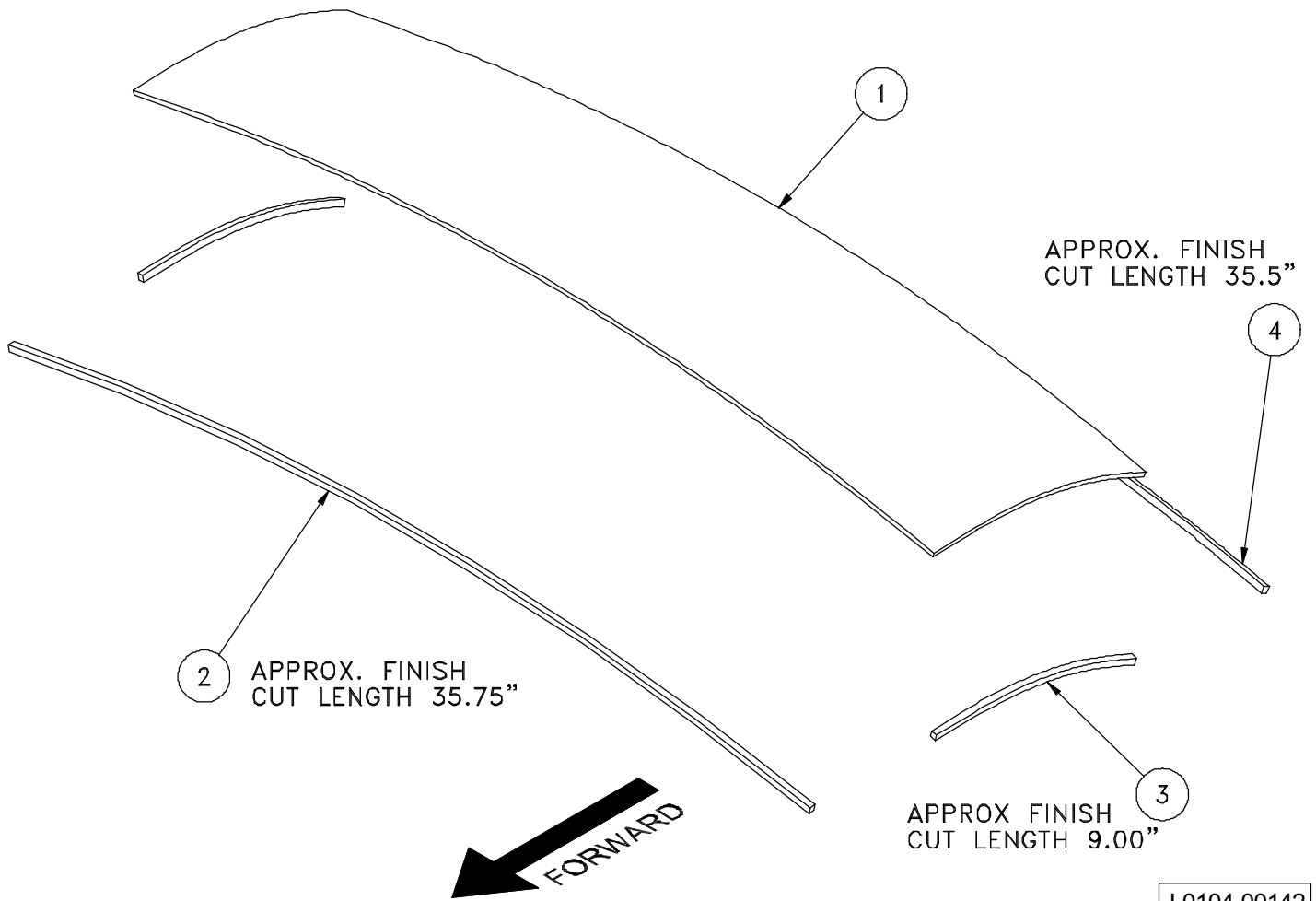


L0104-00143

ASSY, SUNROOF PANEL

<u>ITEM</u>	<u>PART NO.</u>	<u>DESCRIPTION</u>	<u>QTY.</u>
1	0304-00154	PANEL, SUNROOF 4 PASS GREY SMOKE	1
2	0417-00065	STRIP, WEATHER - FRONT SUNROOF (Formerly 0304-00187)	1
3	0417-00065	STRIP, WEATHER - REAR SUNROOF (Formerly 0304-00188)	1
4	0417-00065	STRIP, WEATHER - SIDE SUNROOF (Formerly 0304-00189)	2

* For any or all of items 2, 3, & 4, use 0417-00065 FOAM, VINYL - PVC VF-5600 SERIES .250 X .250 X 50 FT ROLL (Sold Only as Entire Roll)

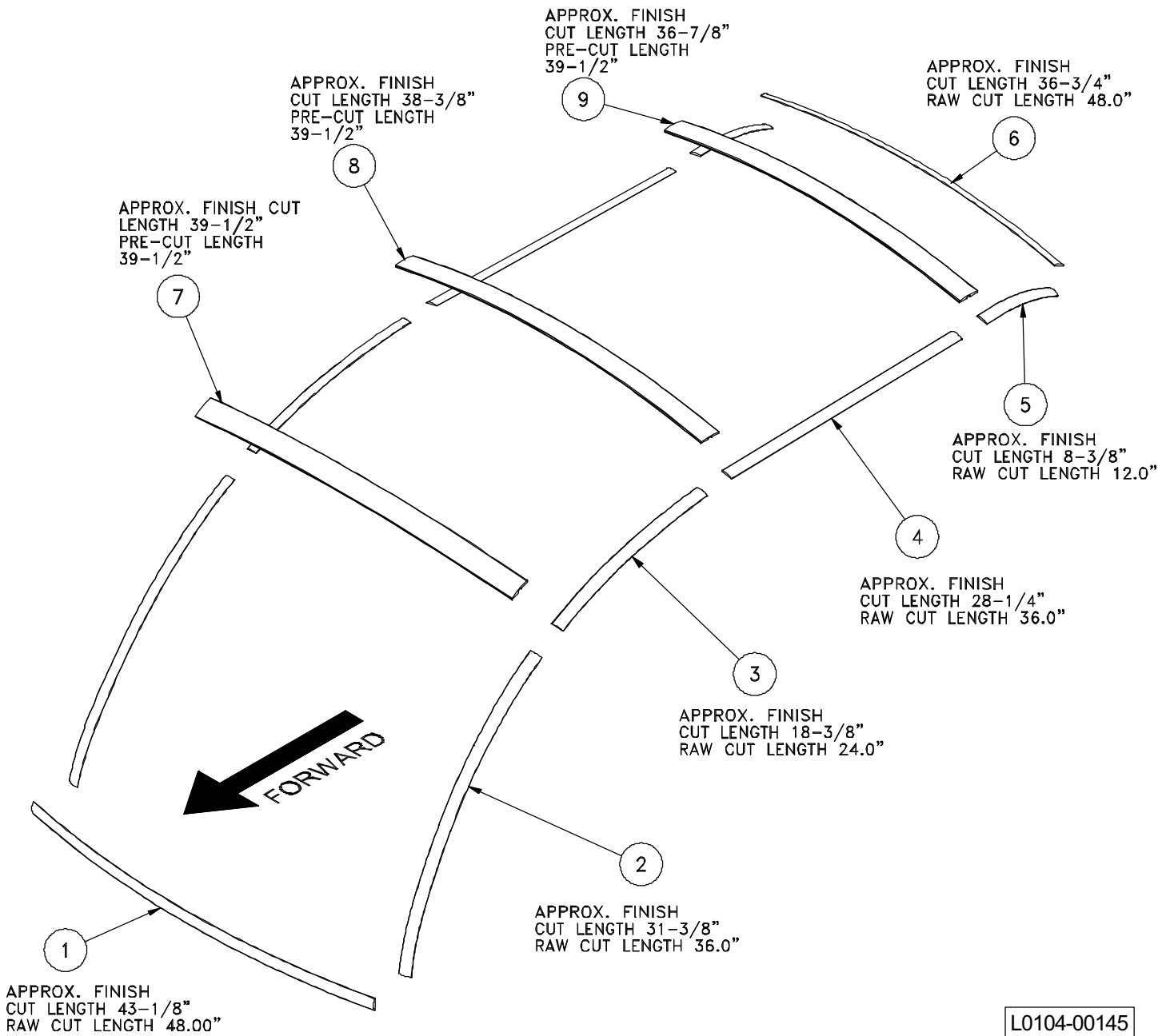


L0104-00142

ASSY, ROOF PANEL - REAR 4 PASS

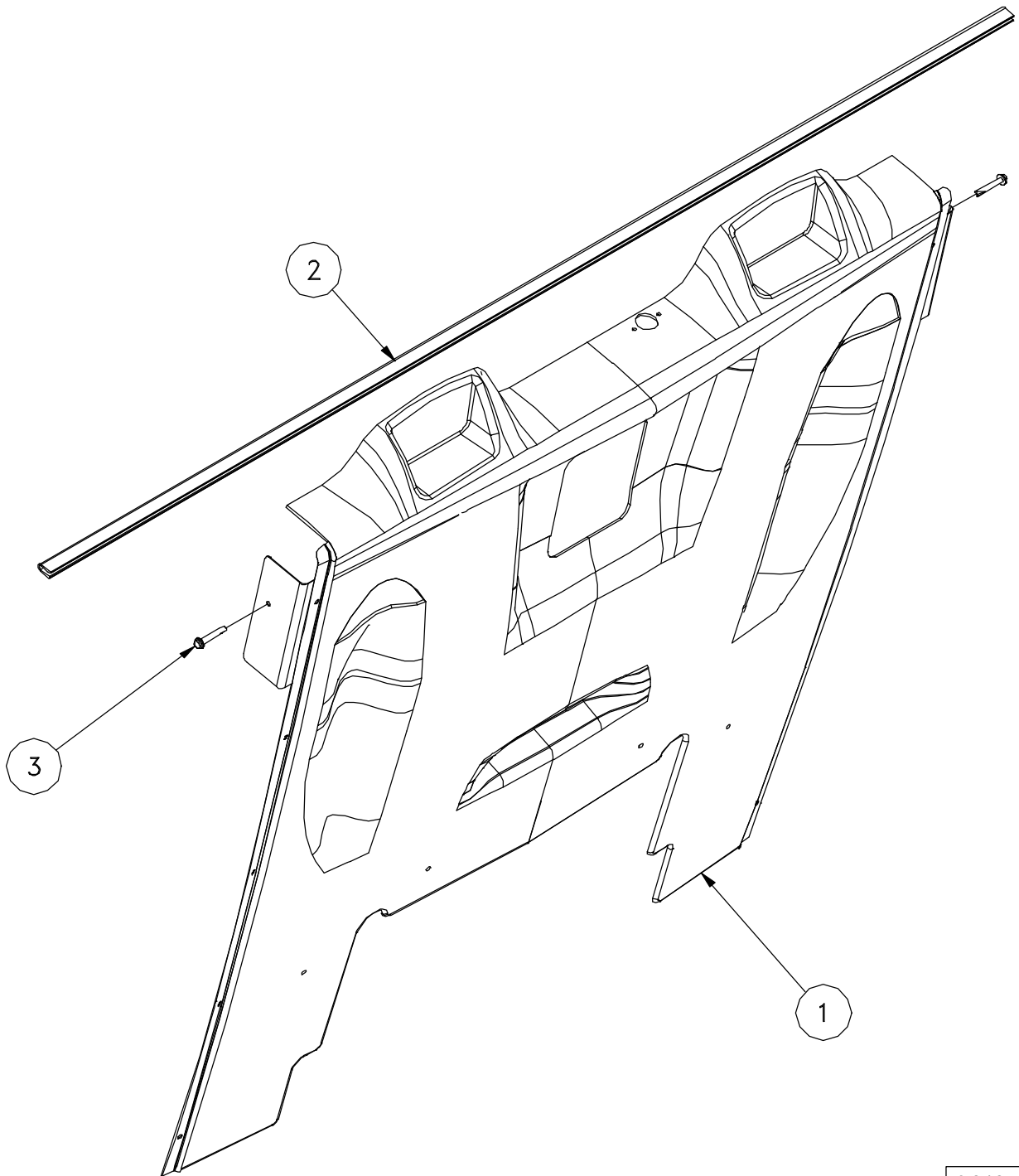
<u>ITEM</u>	<u>PART NO.</u>	<u>DESCRIPTION</u>	<u>QTY.</u>
1	0304-00156	PANEL, ROOF 4 PASS REAR	1
2	0417-00065	STRIP, WEATHER - REAR SUNROOF (Formerly 0304-00188)	1
3	0417-00065	STRIP, WEATHER - SIDE - REAR ROOF (Formerly 0304-00190)	2
4	0417-00065	STRIP, WEATHER - REAR - REAR ROOF (Formerly 0304-00191)	1

* For any or all of items 2, 3, & 4, use 0417-00065 FOAM, VINYL - PVC VF-5600 SERIES .250 X .250 X 50 FT ROLL (Sold Only as Entire Roll)



ASSY, ROOF TRIM - 4 PASS

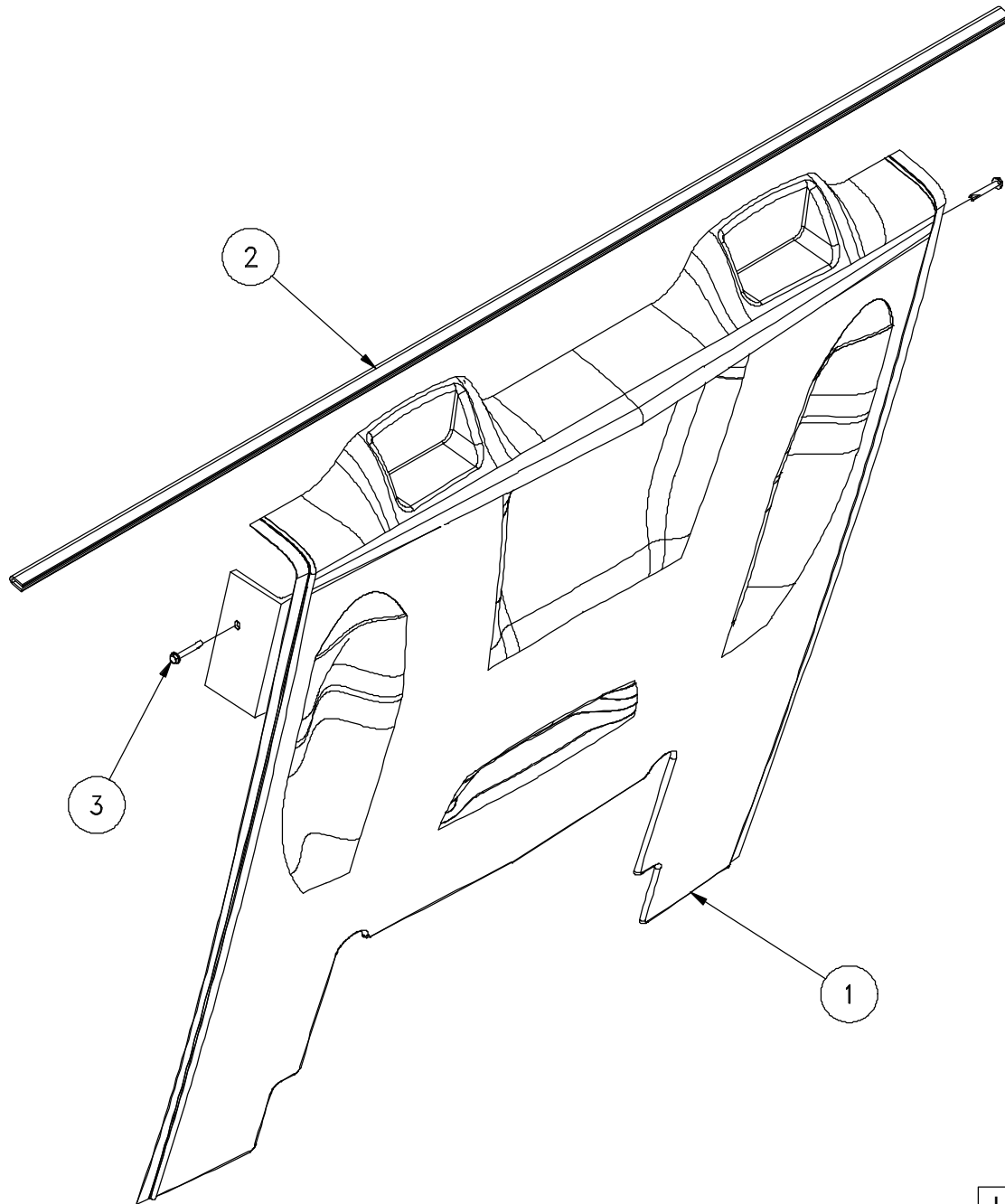
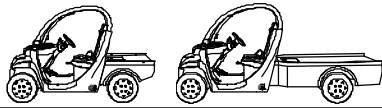
ITEM	PART NO.	DESCRIPTION	QTY.
1	0417-00067	STRIP, TRIM UPPER WINDSHIELD (formerly 0304-00173)	1
2	0417-00067	STRIP, TRIM SIDE WINDSHIELD (formerly 0304-00175)	2
3	0417-00067	STRIP, TRIM - SIDE FRONT ROOF - 4 PASS (formerly 0304-00176)	2
4	0417-00067	STRIP, TRIM - SIDE - SUNROOF (formerly 0304-00179)	2
5	0417-00067	STRIP, TRIM - SIDE REAR ROOF (formerly 0304-00180)	2
6	0417-00067	STRIP, TRIM - REAR REAR ROOF (formerly 0304-00181)	1
7	0417-00214	STRIP, WIDE TRIM - UPPER WINDSHIELD (formerly 0304-01102)	1
8	0417-00214	STRIP, WIDE TRIM - FRONT SUN ROOF (formerly 0304-01103)	1
9	0417-00214	STRIP, WIDE TRIM - REAR SUN ROOF (formerly 0304-01104)	1



L0105-00102

ASSY, BACK PANEL 2 & 4 PASSENGER

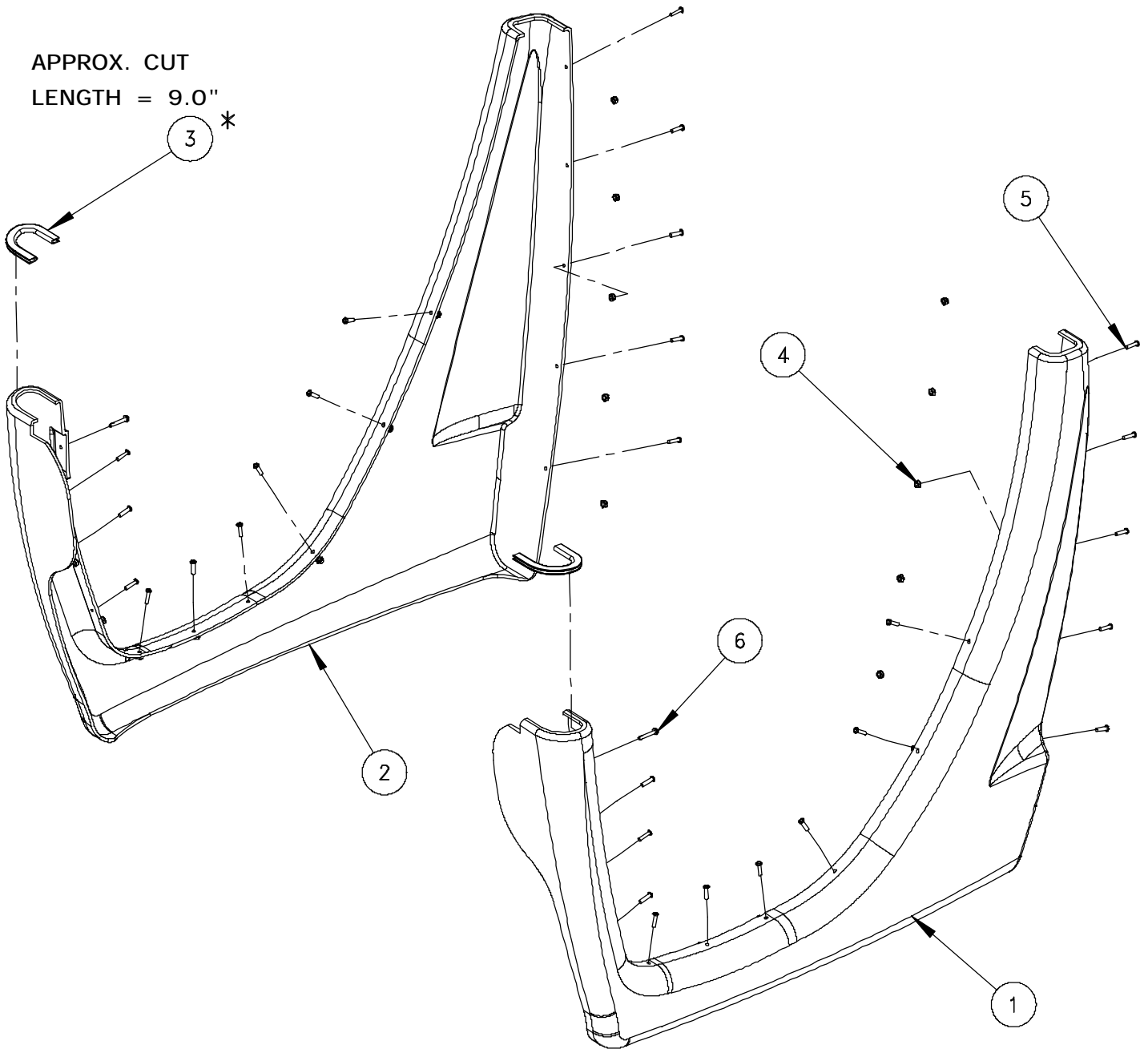
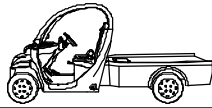
<u>ITEM</u>	<u>PART NO.</u>	<u>DESCRIPTION</u>	<u>QTY.</u>
1	0305-00406	PANEL, BACK 2P-4P -	1
2	0317-00887	TRIM, EDGE - U SHAPE WHITE VINYL - 59"	1
3	0532-00122	SCREW, HEX - WHSD 1/4 X 1.5 ZINC PLATED --	2



L0105-00238

ASSY, BACK PANEL SHORTBACK & LONGBACK

<u>ITEM</u>	<u>PART NO.</u>	<u>DESCRIPTION</u>	<u>QTY.</u>
1	0305-00462	PANEL, BACK SM AND LG UTILITY -	1
2	0317-00887	TRIM, EDGE - U SHAPE WHITE VINYL - 59"	1
3	0532-00122	SCREW, HEX - WHSD 1/4 X 1.5 ZINC PLATED --	2

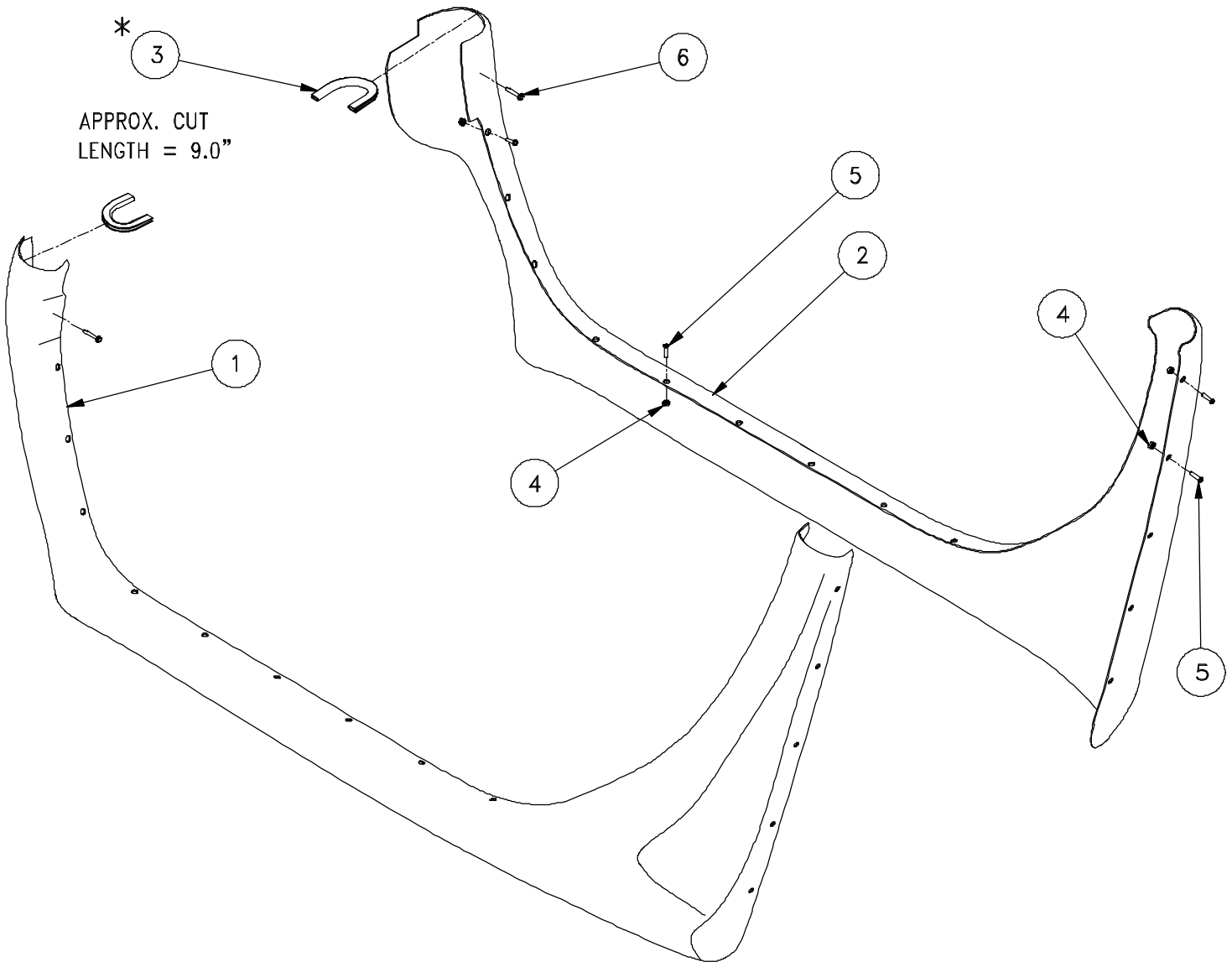


L0105-01237

ASSY, SIDE PANEL 2 PASSENGER

ITEM	PART NO.	DESCRIPTION	QTY.
1	0305-01515	PANEL, SIDE - LH 2 PASS 05	1
2	0305-01516	PANEL, SIDE - RH 2 PASS 05	1
3*	0417-00141	TRIM, EDGE - U SHAPE WHITE VINYL - 9"	2
4	0521-00071	NUT,KEPS - 1/4 - 20 UNC ZINC PLATED GR 5 ZINC PLATED	28
5	0522-00333	BOLT, TORX - TRUSS HD - 1/4 - 20 X 1 - 18-8 S.S.	28
6	0532-00122	SCREW, HEX - WHSD 1/4 X 1.5 ZINC PLATED --	2

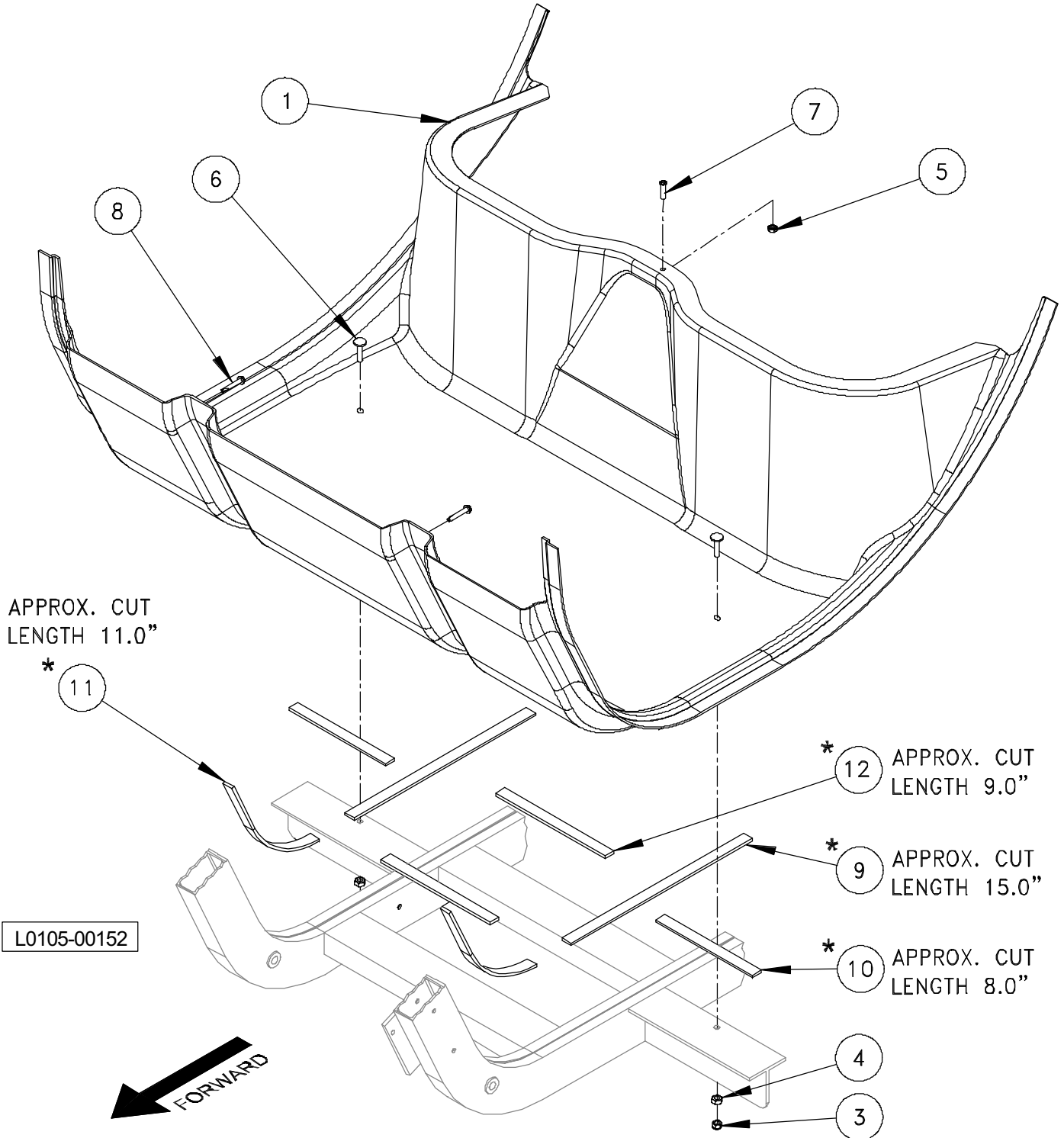
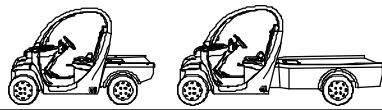
* Item # 3 Is sold by the foot only. When replacing trim, order 1 Ft. per side.



ASSY, SIDE PANEL - 4 PASS ABS

<u>ITEM</u>	<u>PART NO.</u>	<u>DESCRIPTION</u>	<u>QTY.</u>
1	0305-01517	PANEL, SIDE - LH 4 PASS 05	1
2	0305-01518	PANEL, SIDE - RH 4 PASS 05	1
3*	0417-00141	TRIM, EDGE - U SHAPE WHITE VINYL - 9"	2
4	0521-00071	NUT,KEPS - 1/4 - 20 UNC ZINC PLATED GR 5 ZINC PLATED	36
5	0522-00333	BOLT, TORX - TRUSS HD - 1/4 - 20 X 1 - 18-8 S.S.	36
6	0532-00122	SCREW, HEX - WHSD 1/4 X 1.5 ZINC PLATED --	2

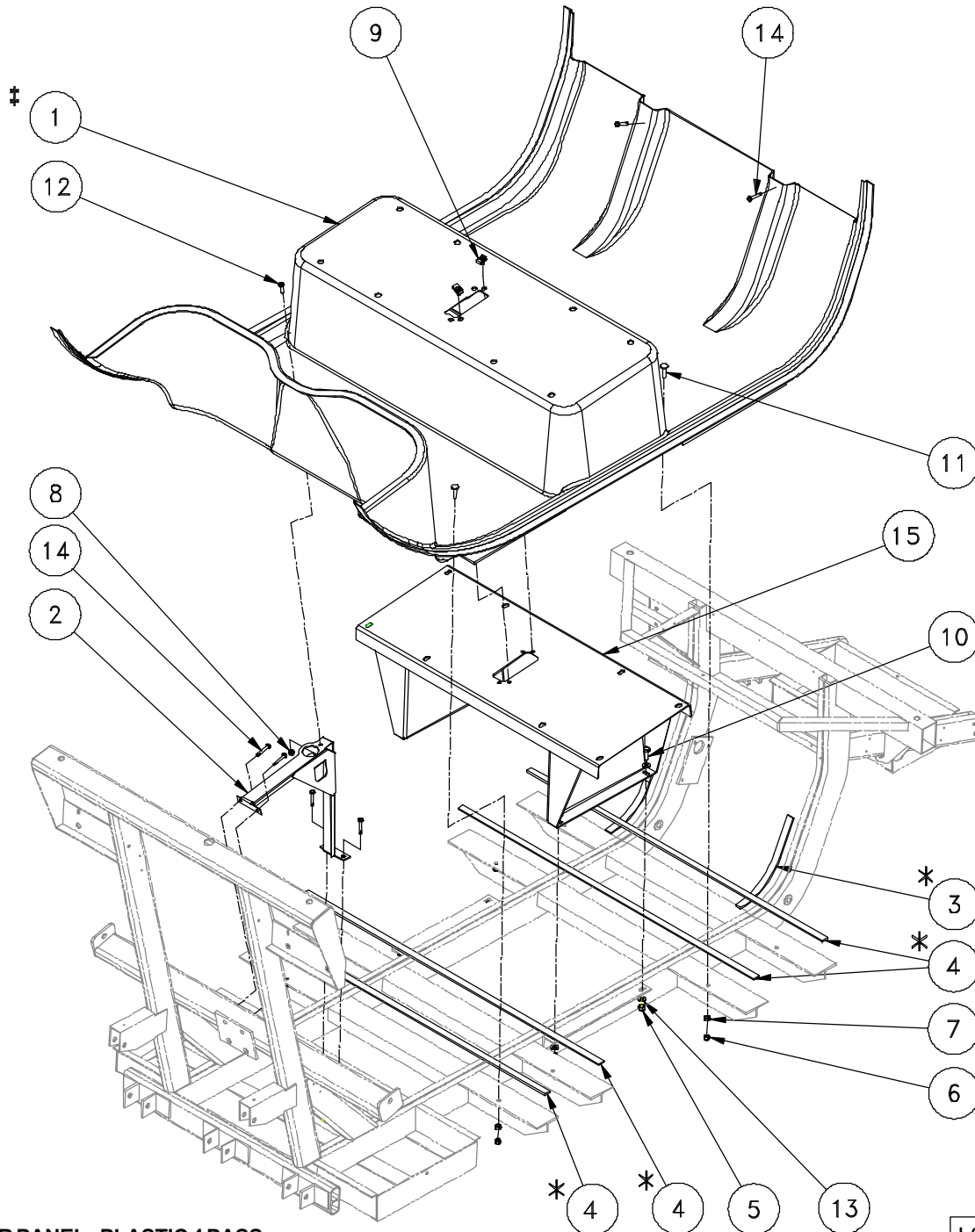
* Item # 3 Is sold by the foot only. When replacing trim, order 1 Ft. per side.



ASSY, FLOOR PANEL - 2 PASS

ITEM	PART NO.	DESCRIPTION	QTY.
1	0105-00859	ASSY, FLOOR PANEL - 2 PASS - -	1
2	0201-00102	WELDMENT, FRAME - 2 PASS -	1
3	0521-00017	NUT, HEX - NYLOCK 5/16-18 UNC GR5 ZN	2
4	0521-00031	NUT, HEX - 5/16-18 UNC GR 5 ZN -	2
5	0521-00071	NUT, KEPS - 1/4 - 20 UNC ZINC PLATED GR 5 ZINC PLATED	1
6	0522-00121	BOLT, WELD - PROJECTION 5/16 - 18 UNC X 1.25 GR 5 BLK	2
7	0522-00333	BOLT, TORX - TRUSS HD - 1/4 - 20 X 1 - 18-8 S.S.	1
8	0532-00122	SCREW, HEX - WHSD 1/4 X 1.5 ZINC PLATED - -	2
9*	0417-00066	FOAM, VINYL - PVC VF-5100 SERIES .187 X .750 X 30 FT ROLL (APPROX CUT LENGTH 15.0")	2
10*	0417-00067	FOAM, VINYL - PVC VF-5100 SERIES .187 X .750 X 30 FT ROLL (APPROX CUT LENGTH 8.0")	2
11*	0417-00068	FOAM, VINYL - PVC VF-5100 SERIES .187 X .750 X 30 FT ROLL (APPROX CUT LENGTH 11.0")	2
12*	0417-00069	FOAM, VINYL - PVC VF-5100 SERIES .187 X .750 X 30 FT ROLL (APPROX CUT LENGTH 9.0")	2

* SOLD AS ENTIRE ROLL ONLY. P/N 0414-00066 FOAM, VINYL - PVC VF-5100 SERIES .187 X .750 X 30 FT ROLL



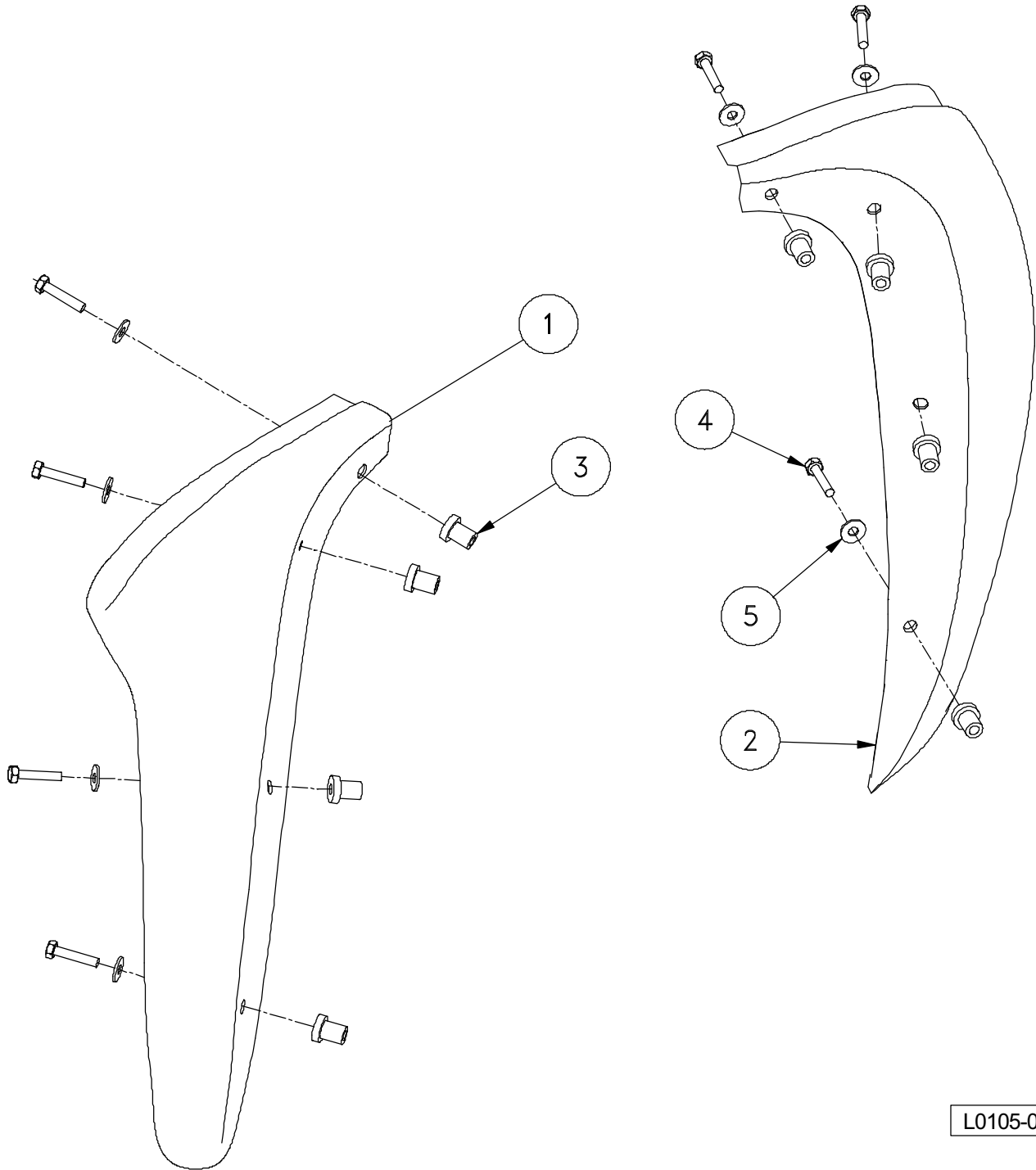
L0105-00467

ASSY, FLOORPANEL - PLASTIC 4 PASS

ITEM	PART NO.	DESCRIPTION	QTY.
1	‡0105-00860	ASSY, PANEL - FLOOR, PLASTIC-4PASS-W/O C 4 PASS PLASTIC	1
2	0211-00117	WLDMT, BRACKET REAR SEAT HOLDDOWN	1
3	*0417-00066	STRIP, VINYL - FOAM PVC VF-5100 SERIES .187 X .75 X 11 (Formerly P/N 0317-00858)	2
4	*0417-00066	STRIP, VINYL - FOAM PVC VF-5100 SERIES .187 X .75 X 41 (Formerly P/N 0317-00973)	4
5	0521-00010	NUT, HEX - NYLOCK 3/8-16 UNC GR5 ZN	4
6	0521-00017	NUT, HEX - NYLOCK 5/16-18 UNC GR5 ZN	4
7	0521-00031	NUT, HEX - 5/16-18 UNC GR 5 ZN ZINC PLATED	4
8	0521-00071	NUT,KEPS - 1/4 - 20 UNC ZINC PLATED GR 5 ZINC PLATED	1
9	0521-00225	NUT, EXTRUDED U-NUT 5/16 - 18 -	2
10	0522-00063	BOLT, HEX - HHCS 3/8-16 UNC x 1.0 LG GR 5 ZINC PLATED	4
11	0522-00121	BOLT, WELD - PROJECTION 5/16 - 18 UNC X 1.25 GR 5 BLK	4
12	0522-00333	BOLT, TORX - TRUSS HEAD - 1/4 - 20 X 1	1
13	0524-00009	WASHER, FLAT - 3/8 SAE .406 ID X .8125 OD X .080 THK ZN	8
14	0523-00122	SCREW, HEX - WHSD 1/4 X 1.5 ZINC PLATED	6
15	0201-00090	WELDMENT, SEAT BASE FRAME	1

* SOLD AS ENTIRE ROLL ONLY. P/N 0414-00066 FOAM, VINYL - PVC VF-5100 SERIES .187 X .750 X 30 FT ROLL

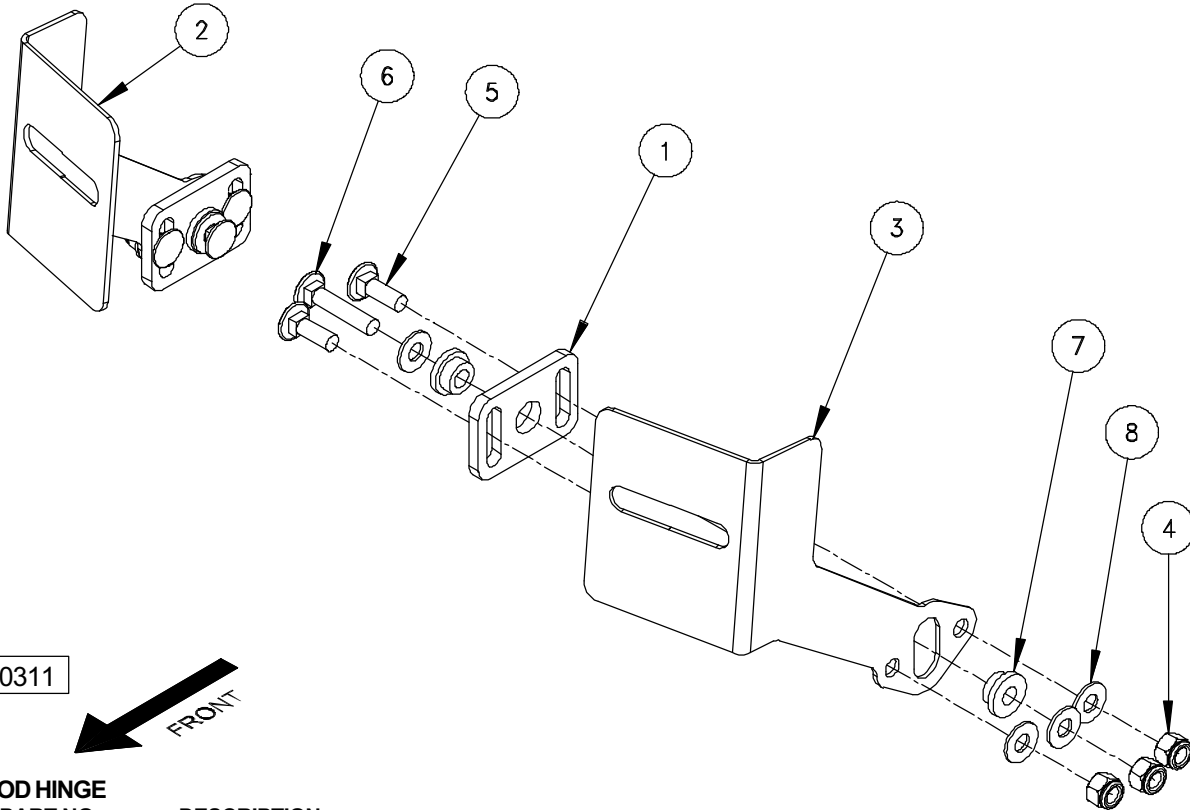
‡ The floor panel is available only without the hole for the outlet plug. Drill to ø1.875 for outlet plug



L0105-00956

ASSY, MUD GUARD

ITEM	PART NO.	DESCRIPTION	QTY.
1	0305-00781	GUARD, MUD, RED RH - COLOR MATCHED PLAST	1
1	0305-00783	GUARD, MUD, YELLOW RH - COLOR MATCHED PL	1
1	0305-00785	GUARD, MUD, BLUE RH - COLOR MATCHED PLAS	1
1	0305-00787	GUARD, MUD, GREEN RH - COLOR MATCHED PLA	1
1	0305-00789	GUARD, MUD, WHITE RH - COLOR MATCHED PLA	1
1	0305-00791	GUARD, MUD, SILVER RH - COLOR MATCHED PL	1
2	0305-00782	GUARD, MUD, RED LH - COLOR MATCHED PLAST	1
2	0305-00784	GUARD, MUD, YELLOW LH - COLOR MATCHED PL	1
2	0305-00786	GUARD, MUD, BLUE LH - COLOR MATCHED PLAS	1
2	0305-00788	GUARD, MUD, GREEN LH - COLOR MATCHED PLA	1
2	0305-00790	GUARD, MUD, WHITE LH - COLOR MATCHED PLA	1
2	0305-00792	GUARD, MUD, SILVER LH - COLOR MATCHED PL	1
3	0521-00092	NUT, WELL - 1/4 - 20 UNC x 5/8" - -	8
4	0522-00238	BOLT, HEX - 1/4-20 UNC X 1.25 GR 5 ZINC PLATED	8
5	0524-00053	WASHER, FLAT - 1/4 BLACK PLASTIC	8

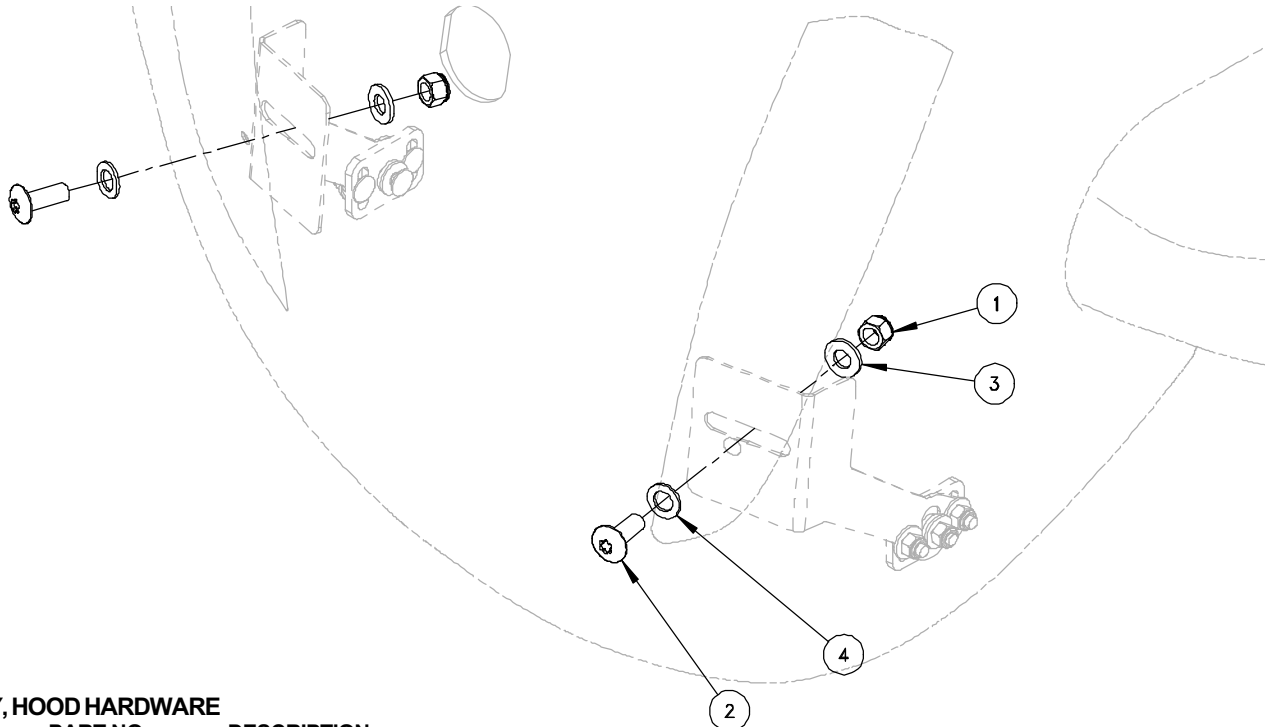


L0105-00311



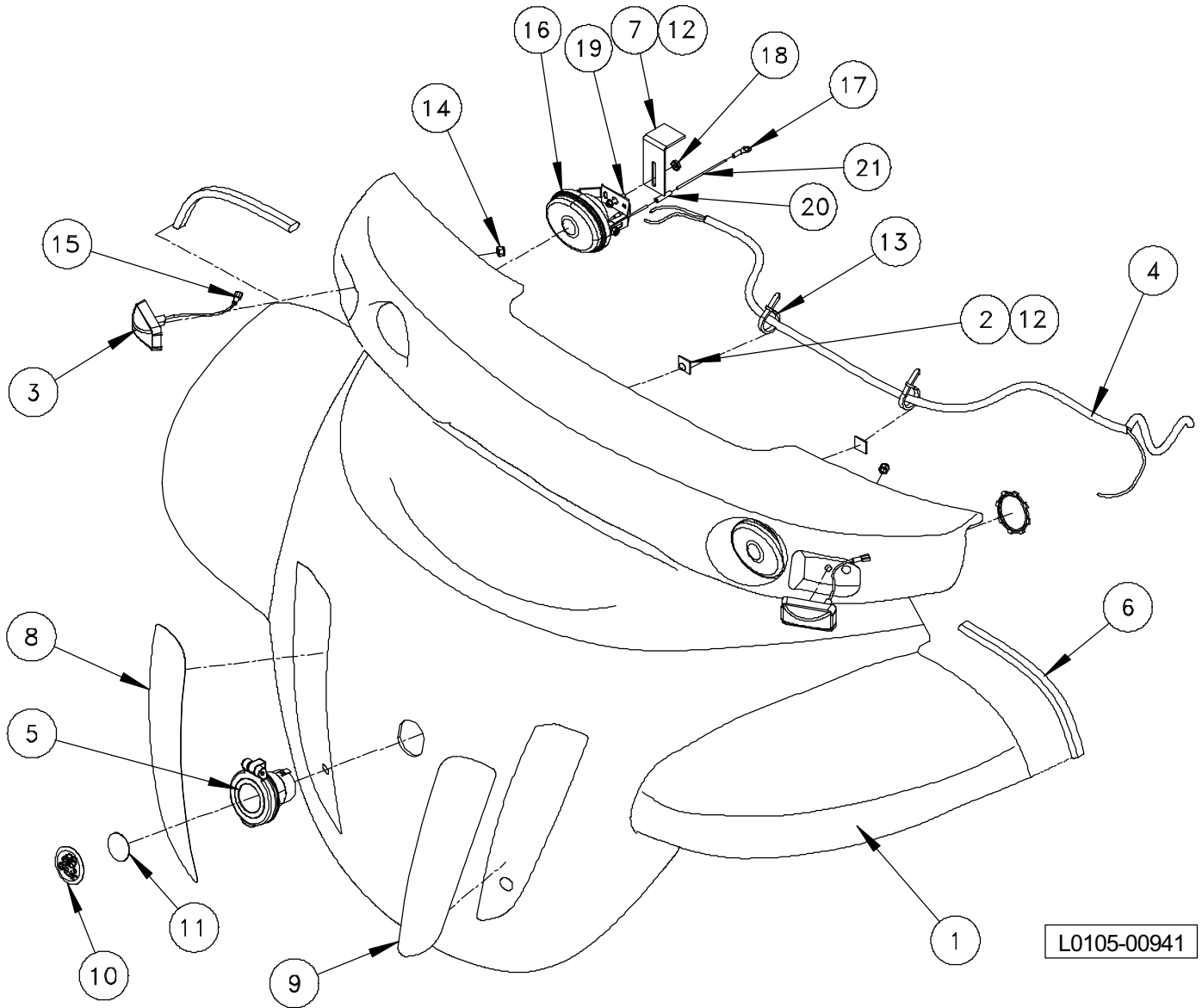
ASSY, HOOD HINGE

ITEM	PART NO.	DESCRIPTION	QTY.
1	0305-00610	BRKT, HINGE - HOOD	2
2	0305-00619	MOUNT, HOOD - RH --	1
3	0305-00650	MOUNT, HOOD - LH --	1
4	0521-00050	NUT, HEX - NYLOCK 1/4-20 UNC GR5 ZN	6
5	0522-00184	BOLT, CARRIAGE - 1/4 - 20 UNC X .75 LG 18-8 SST --	4
6	0522-00411	BOLT, CARRIAGE - 1/4 - 20 UNC X 1.25 LG GR 2 ZNC PLT --	2
7	0524-00083	WASHER, SHOULDER NAT NYLON - 1/4 INCH	4
8	0524-00062	WASHER, FLAT - 1/4 .281 ID X .625 OD X .050 THK	8



ASSY, HOOD HARDWARE

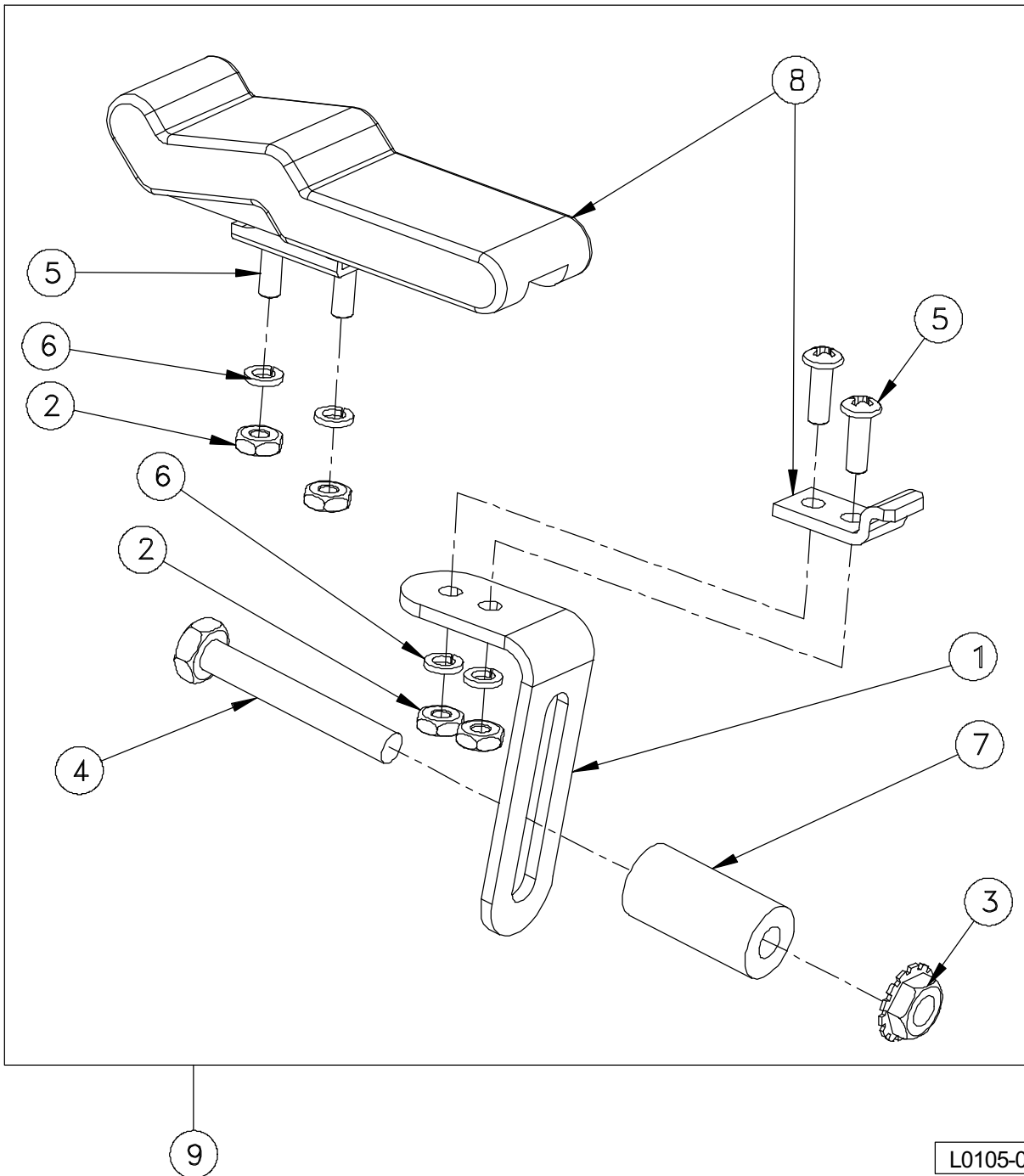
ITEM	PART NO.	DESCRIPTION	QTY.
1	0521-00010	NUT, HEX - NYLOCK 3/8-16 UNC GR5 ZN	2
2	0522-00180	BOLT, TORX - TRUSS HD, 3/8 - 16 X 1 - BL ZN. GR5.1	2
3	0524-00009	WASHER, FLAT - 3/8 SAE .406 ID X .8125 OD X .080 THK ZN	2
4	0524-00414	WASHER, NYLON .443 ID X .750 OD X .062 generic ZN	2



L0105-00941

ASSY, HOOD COMPLETE

ITEM	PART NO.	DESCRIPTION	QTY.
1	0105-00847	ASSY, HOOD, RED - CMP - W/INLET CUTOUT	1
1	0105-00848	ASSY, HOOD, YELLOW - CMP - W/INLET CUTOUT	1
1	0105-00849	ASSY, HOOD, BLUE - CMP - W/INLET CUTOUT	1
1	0105-00850	ASSY, HOOD, GREEN - CMP - W/INLET CUTOUT	1
1	0105-00851	ASSY, HOOD, WHITE - CMP - W/INLET CUTOUT	1
1	0105-00852	ASSY, HOOD, SILVER - CMP - W/INLET CUTOUT	1
2	0610-00099	3/4 SQUARECRADLEMOUNTNYL	2
3	0106-00184	ASSY, LIGHT BLINKER - AMBER	2
4	0106-00290	ASSY, HARNESS HEADLIGHT	1
5	0110-00832	ASSY, EXTERIOR CHARGING INLET HOUSING	1
6	0305-00885	TRIM, HOOD BLACK 10.5 INCH	2
7	0310-00505	BKT, HEAD LIGHT - SECONDARY -	2
8	0350-00538	DECAL, HOOD GRILLE - RH	1
9	0350-00546	DECAL, HOOD GRILLE - LH	1
10	0350-01133	DECAL, EXTERIOR CHARGING INLET - EMBLEM	1
11	0350-01134	DECAL, EXTERIOR CHARGING INLET - FILLER	1
12	0408-00186	ADVESIVE, METHACRYLATE	1
13	0510-00137	TIE, CABLE W/#10 MOUNT HOLE 9" BLACK	2
14	0521-00050	NUT, HEX - NYLOCK 1/4-20 UNC GR5 ZN	2
15	0606-00108	TERMINAL, SPADE - FEMALE INSULATTED 1/4 16 - 14 GA WIRE	2
16	0106-00164	ASSY, LIGHT - HEAD	2
17	0606-00095	TERMINAL, RING 22-18 - 1/4 - RED	2
18	0521-00014	NUT, KEPS - 12 - 24 UNC ZINC PLATED GR 5 ZINC PLATED	2
19	0523-00134	SCREW, MACHINE #12-24 x 1 HEX SLOT HEAD	2
20	0606-00096	CONNECTOR, BUTT SPLICE - 18-22 GA. - PINK	2
21	0306-00504	WIRE, GROUND - HEAD LIGHT	2



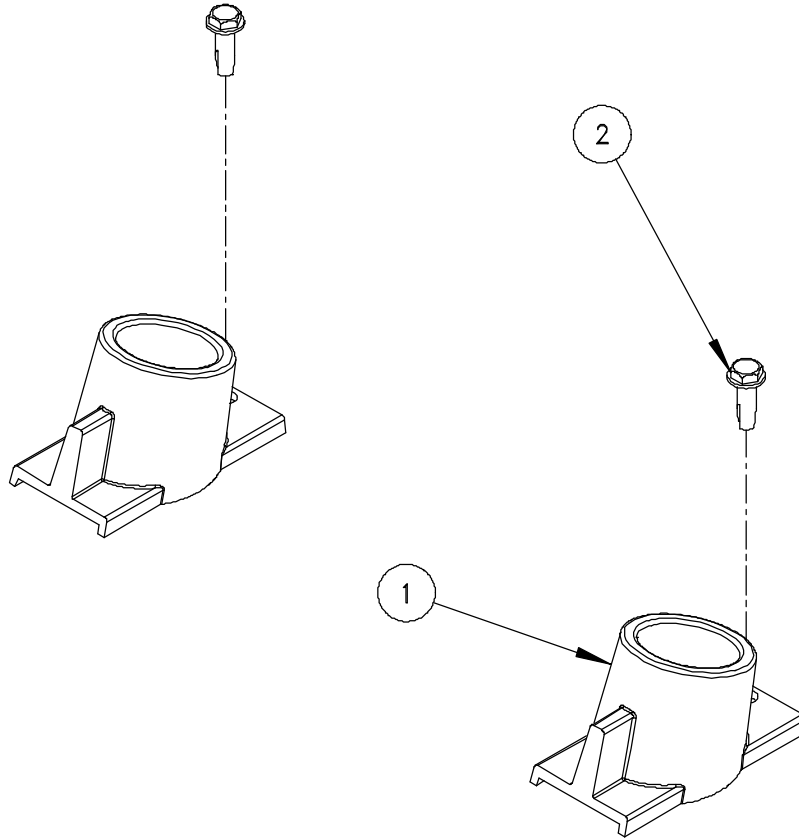
L0105-00577

ASSY., HOOD LATCH

<u>ITEM</u>	<u>PART NO.</u>	<u>DESCRIPTION</u>	<u>QTY.</u>
1	0311-00811	BRACKET, HOOD LATCH	1
2	0521-00145	NUT, HEX - #8 - 32 ZINC PLATED	4
3	0521-00071	NUT, KEPS - 1/4 - 20 UNC	1
4	0522-00097	BOLT, HEX HD - 1/4-20 UNC GRADE 5 ZINC PLATED	1
5	0523-00110	SCREW, MACH - #8 - 32 X 1/2 ZINC PLATED	4
6	0524-00109	WASHER, LOCK - #8 ZINC PLATED	4
7	0528-00231	BUSHING	1
8	0605-00245	KIT, LATCH HOOD	1
9	0105-00577	ASSY., HOOD LATCH (Includes all of the items above)	1

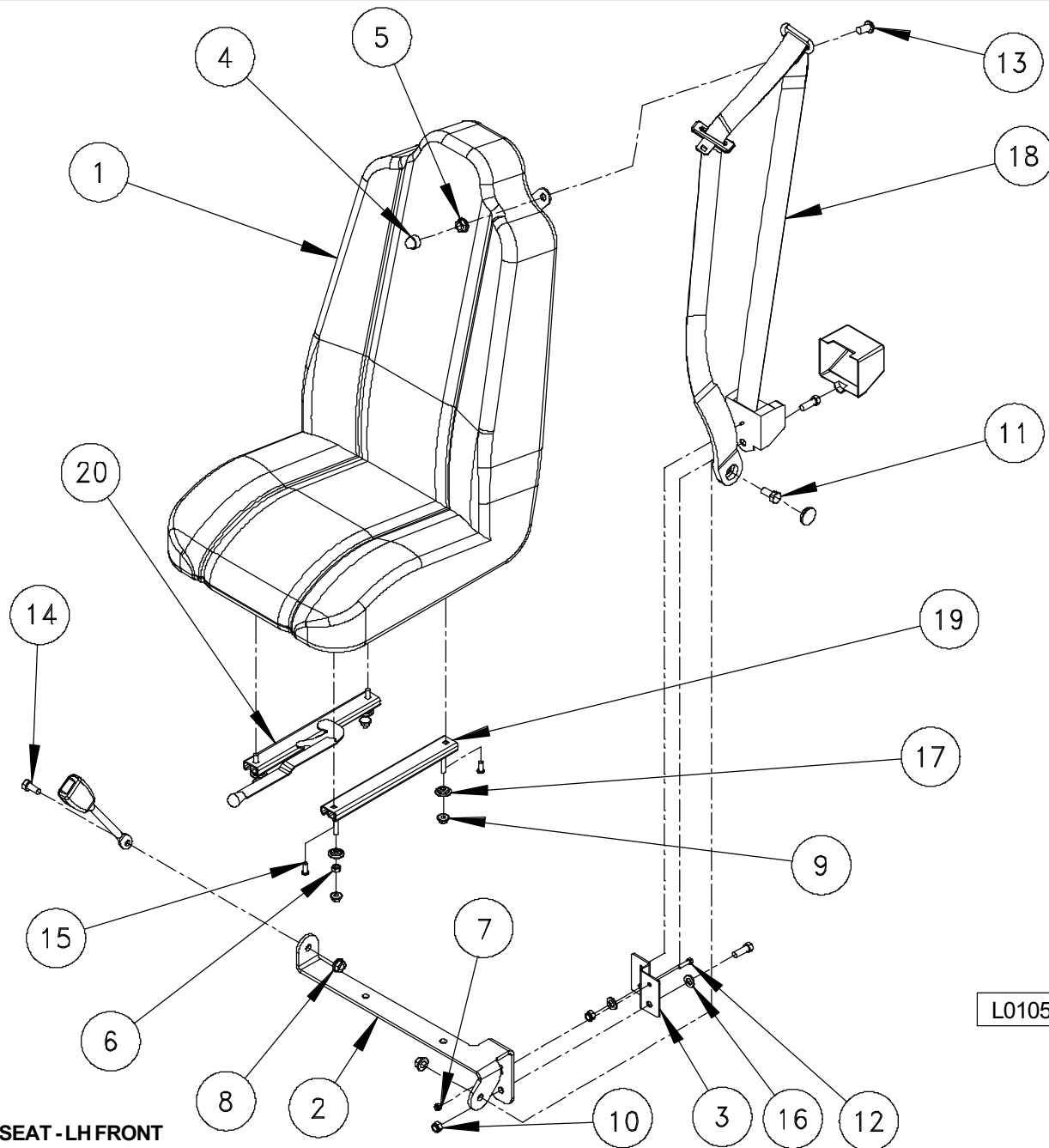


L0109-01109



ASSY, LEG POCKETS SWAPACK (2004 MODEL)

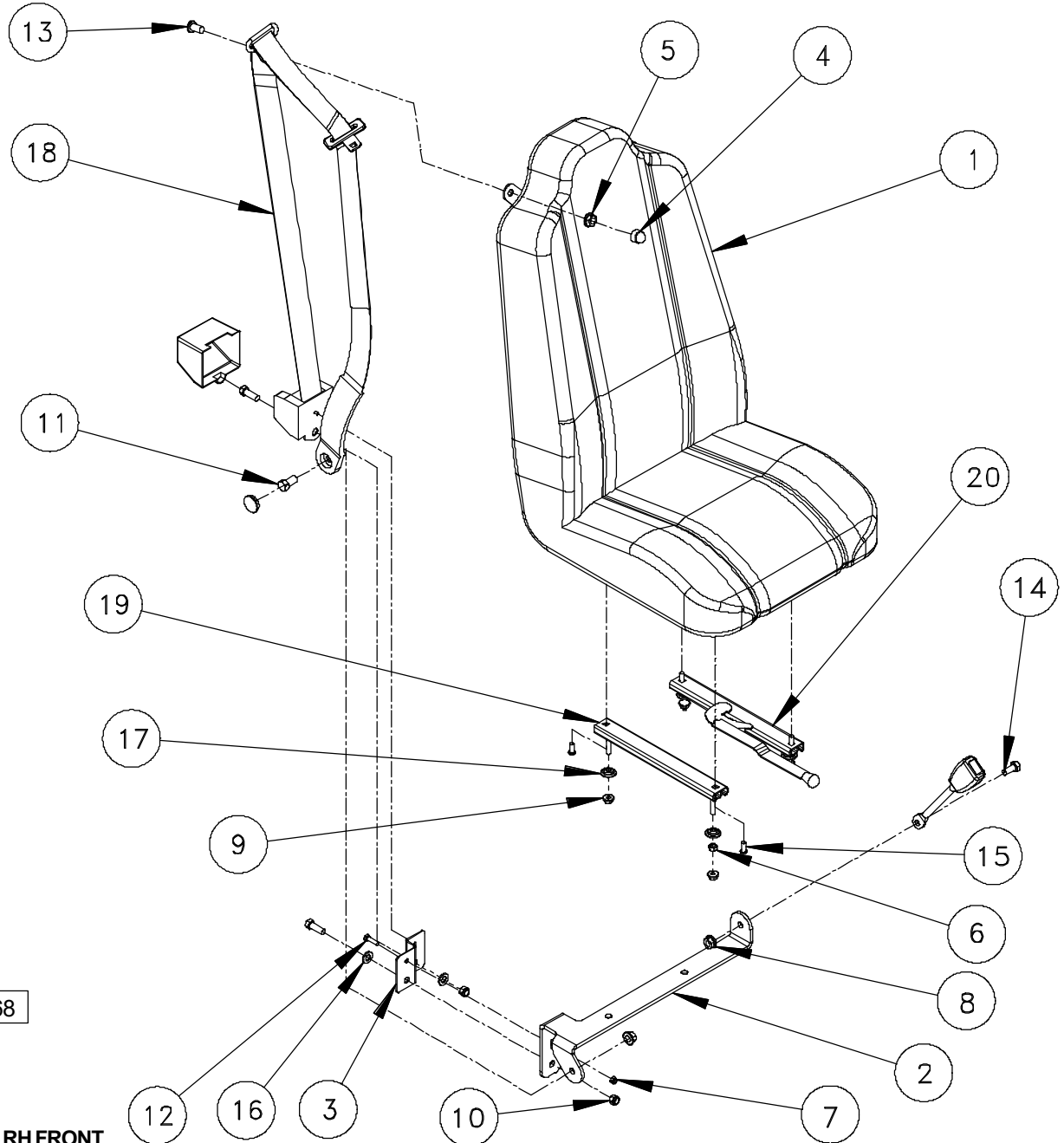
<u>ITEM</u>	<u>PART NO.</u>	<u>DESCRIPTION</u>	<u>QTY.</u>
1	0309-00286	POCKET, LEG - SWAPAK 2004 MODEL -	2
2	0523-00032	SCREW, HEX - WHSD 1/4 X .75 ZN - -	2



L0105-00969

ASSY, SEAT - LH FRONT

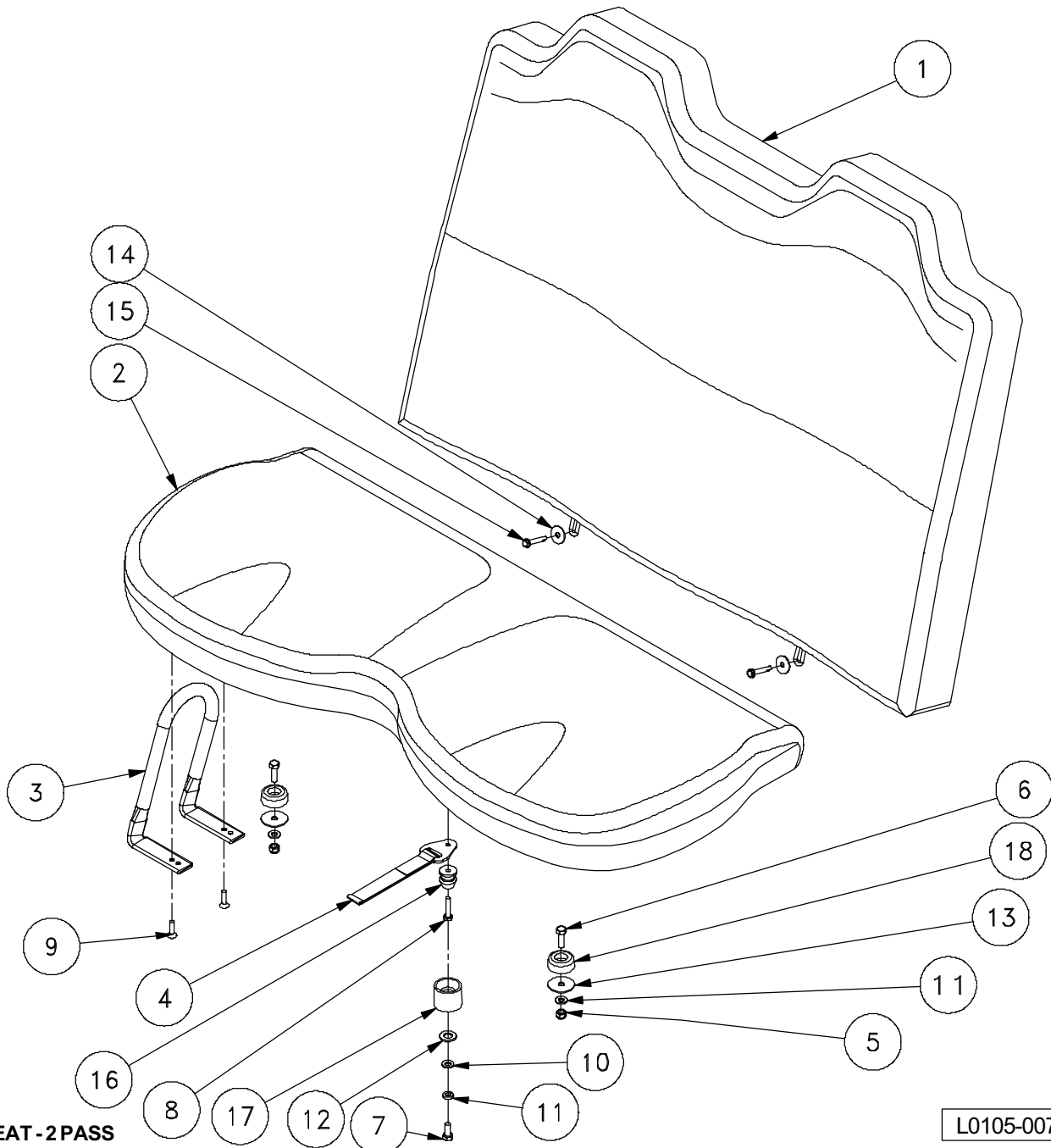
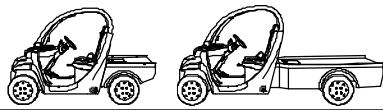
ITEM	PART NO.	DESCRIPTION	QTY.
1	0105-00656	ASSY, BUCKET SEAT - LEFT (RCO) (Early 2005 Models)	1
1	0105-01135	ASSY, BUCKET SEAT - RIGHT - FLXSTL (FLEXSTEEL) (Later 2005 Models)	1
2	0305-00874	BRACKET, SEAT BELT - LH	1
3	0305-01528	BRACKET, SEAT BELT OFFSET - LH	1
4	0310-01527	COVER, COSMETIC NUT - 3/4"	1
5	0521-00024	NUT, HEX FLANGE 1/2-13 UNC GR 6 TECH LOCK	2
6	0521-00031	NUT, HEX - 5/16-18 UNC GR 5 ZN -	2
7	0521-00050	NUT, HEX - NYLOCK 1/4-20 UNC GR 5 ZN TECH LOCK	1
8	0521-00129	NUT, HEX FLANGE 7/16-14 UNC GR 5 ZN TECH LOCK	1
9	0521-00203	NUT, HEX FLANGE 5/16-18 UNC GR 5 ZN TECH LOCK	4
10	0521-00322	NUT, HEX - NYLOCK -7/16-14 UNC GR 8	2
11	0522-00021	BOLT, HEX - 1/2 - 13 UNC X 1.0 GR 8 ZN YL ZINC PLATED	1
12	0522-00056	BOLT, HEX - 1/4 - 20 UNC X 1.0 GR 8 ZN YL ZINC PLATED	1
13	0522-00229	BOLT, TORX HEAD 1/2 - 13 UNC X 1.0 GR 8 ZN	1
14	0522-00252	BOLT, HEX - 7/16 - 14 UNC X 1.0 GR 5 ZINC PLATED	1
15	0523-00316	SCREW, MACHINE - 5/16 - 18 UNC X 0.75 6LI BU M/S XPR	4
16	0524-00115	WASHER, FLAT - M12 13mm ID X 24mm OD X 2.5mm THK	2
17	0524-00310	WASHER, BELL - 5/16	4
18	0605-00291	KIT, SAFETY RESTRAINT - 3 POINT FRON	1
19	0605-00357	SLIDE, SEAT - NO HANDLE	1
20	0605-00358	SLIDE, SEAT - WITH HANDLE	1



L0105-00968

ASSY, SEAT - RH FRONT

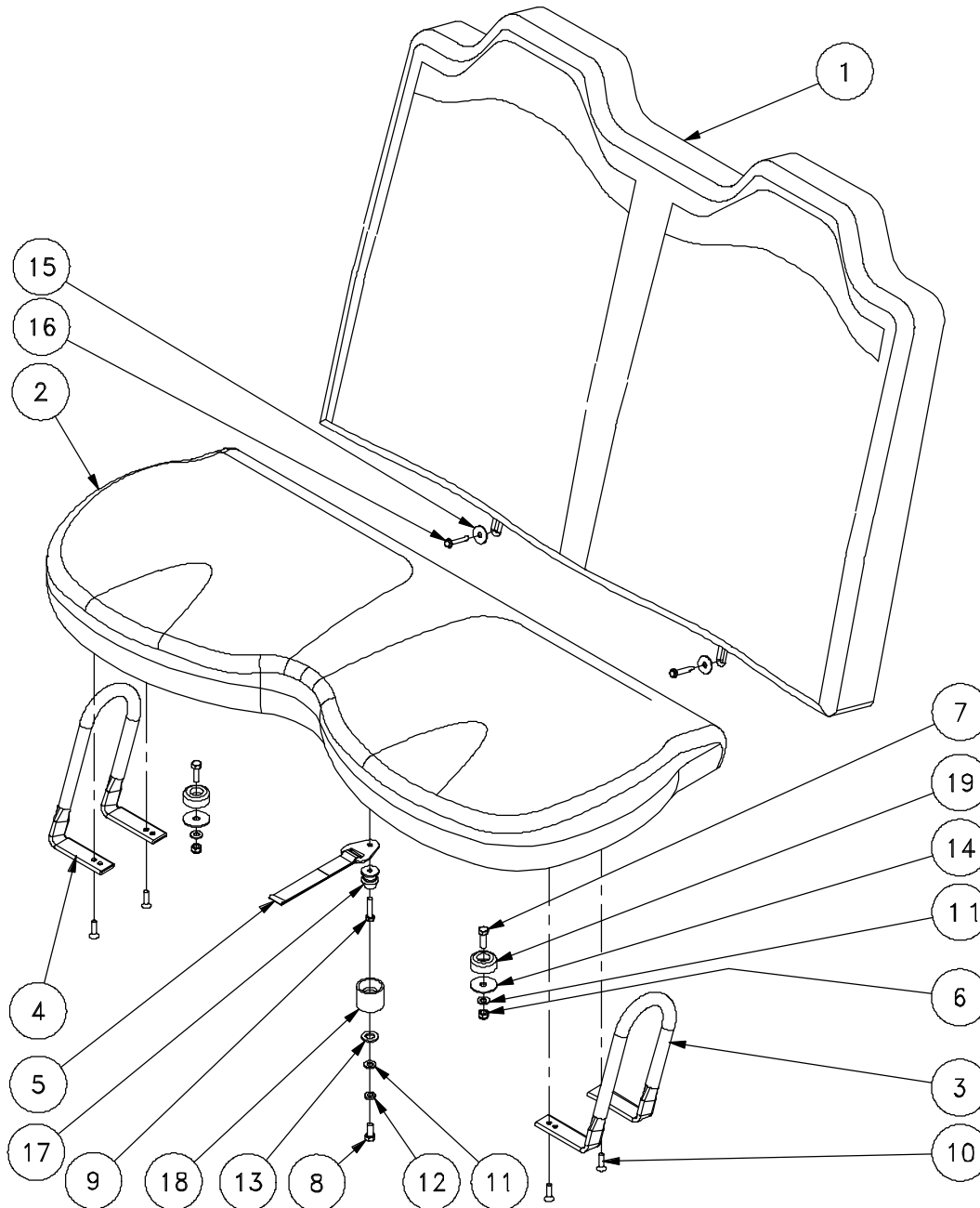
ITEM	PART NO.	DESCRIPTION	QTY.
1	0105-00657	ASSY, BUCKET SEAT - RIGHT (RCO) (Early 2005 Models)	1
1	0105-01134	ASSY, BUCKET SEAT - LEFT - FLXSTL (FLEXSTEEL) (Later 2005 Models)	1
2	0305-00874	BRACKET, SEAT BELT - RH	1
3	0305-01529	BRACKET, SEAT BELT OFFSET - RH	1
4	0310-01527	COVER, COSMETIC NUT - 3/4"	1
5	0521-00024	NUT, HEX FLANGE 1/2-13 UNC GR 6 TECH LOCK	2
6	0521-00031	NUT, HEX - 5/16-18 UNC GR 5 ZN -	2
7	0521-00050	NUT, HEX - NYLOCK 1/4-20 UNC GR 5 ZN TECH LOCK	1
8	0521-00129	NUT, HEX FLANGE 7/16-14 UNC GR 5 ZN TECH LOCK	1
9	0521-00203	NUT, HEX FLANGE 5/16-18 UNC GR 5 ZN TECH LOCK	4
10	0521-00322	NUT, HEX - NYLOCK -7/16-14 UNC GR 8	2
11	0522-00021	BOLT, HEX - 1/2 - 13 UNC X 1.0 GR 8 ZN YL ZINC PLATED	1
12	0522-00056	BOLT, HEX - 1/4 - 20 UNC X 1.0 GR 8 ZN YL ZINC PLATED	1
13	0522-00229	BOLT, TORX HEAD 1/2 - 13 UNC X 1.0 GR 8 ZN	1
14	0522-00252	BOLT, HEX - 7/16 - 14 UNC X 1.0 GR 5 ZINC PLATED	1
15	0523-00316	SCREW, MACHINE - 5/16 - 18 UNC X 0.75 6LI BU M/S XPR	4
16	0524-00115	WASHER, FLAT - M12 13mm ID X 24mm OD X 2.5mm THK	2
17	0524-00310	WASHER, BELL - 5/16	4
18	0605-00291	KIT, SAFETY RESTRAINT - 3 POINT FRON	1
19	0605-00357	SLIDE, SEAT - NO HANDLE	1
20	0605-00358	SLIDE, SEAT - WITH HANDLE	1



L0105-00786

ASSY, SEAT - 2 PASS

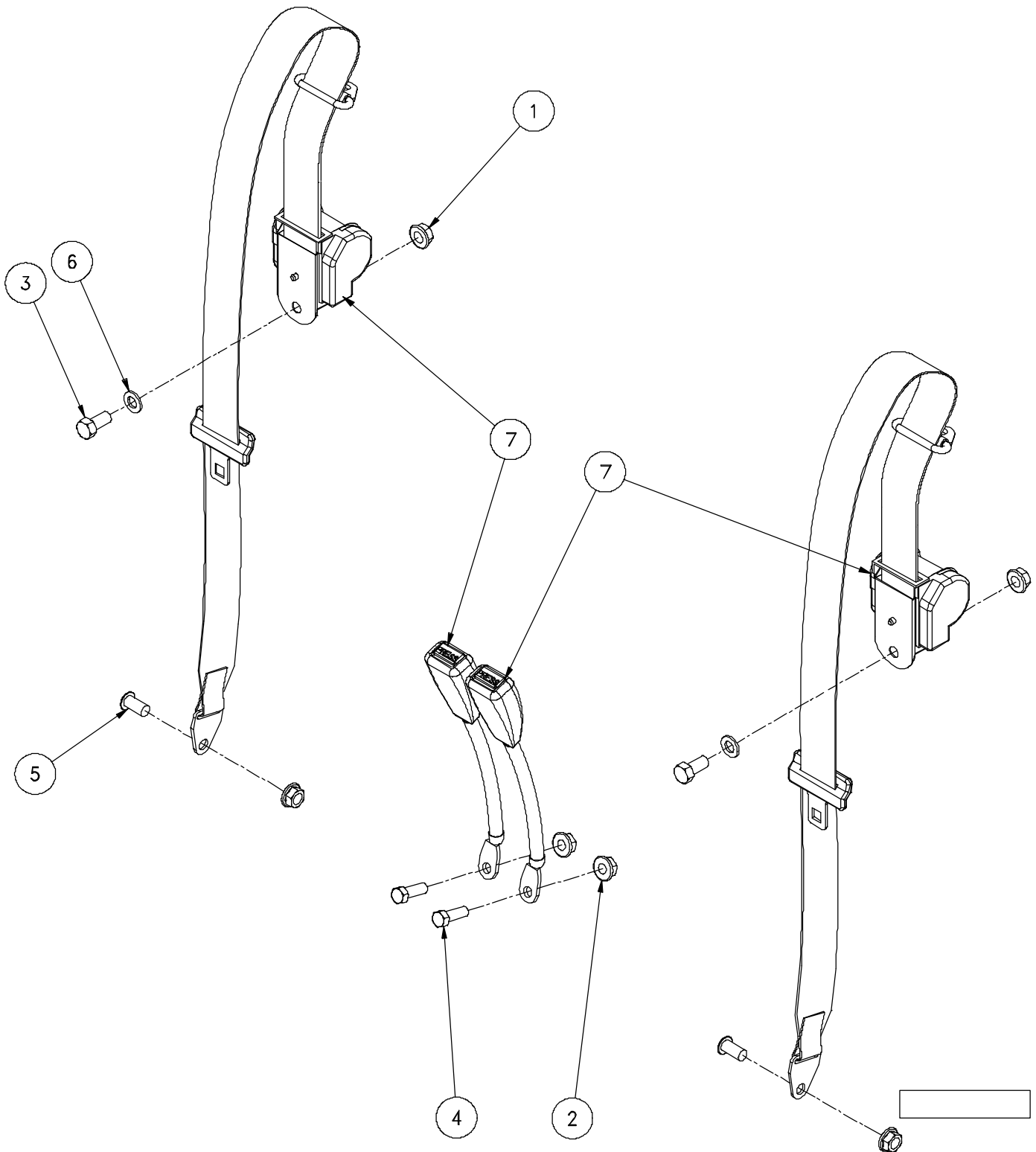
ITEM	PART NO.	DESCRIPTION	QTY.
1	0105-00653	ASSY, SEAT BACK - BENCH (RCO) (Early 2005 Models)	1
1	0105-01135	ASSY, BUCKET SEAT - RIGHT - FLXSTL (FLEXSTEEL) (Later 2005 Models)	1
2	0105-00654	ASSY, BENCH SEAT - CUSHION (RCO) (Early 2005 Models)	1
2	0105-01133	ASSY, BENCH SEAT - CUSHION - FLXSTL (FLEXSTEEL) (Later 2005 Models)	1
3	0305-00927	BRACKET, SAFETY - RH SEAT	1
4	0310-00966	STRAP, SEAT BOTTOM RELEASE	1
5	0521-00017	NUT, HEX - NYLOCK 5/16-18 UNC GR5 ZN	2
6	0522-00016	BOLT, HEX - 5/16 - 18 UNC X 1.0 GR 5 ZINC PLATED	2
7	0522-00144	BOLT, HEX - 5/16 - 18 UNC X .75 GR 5 ZINC PLATED	1
8	0522-00238	BOLT, HEX - 1/4-20 UNC X 1.25 GR 5 ZINC PLATED	1
9	0523-00273	SCREW, PHIL FLAT FT THRD ROL TT - 1/4 - - -	2
10	0524-00003	WASHER, FLAT - 5/16 SAE .344 ID X .688 OD X .065 THK ZN	3
11	0524-00081	WASHER, LOCK - 5/16 ZINC PLATED -	1
12	0524-00115	WASHER, FLAT - M12 13mm ID X 24mm OD X 2.5mm THK	1
13	0524-00167	WASHER, FLAT - 5/16 X 1.5 OD ZINC PLATED	2
14	0524-00315	WASHER, FENDER - .25 ID x 1.0 OD generic ZN	2
15	0532-00122	SCREW, HEX - WHSD 1/4 X 1.5 ZINC PLATED - -	2
16	0605-00236	STEM, SEAT HOLD DOWN	1
17	0605-00237	SOCKET, SEAT HOLD DOWN	1
18	0610-00299	BUMPER, SEAT BASE/BACK	2



L0105-00970

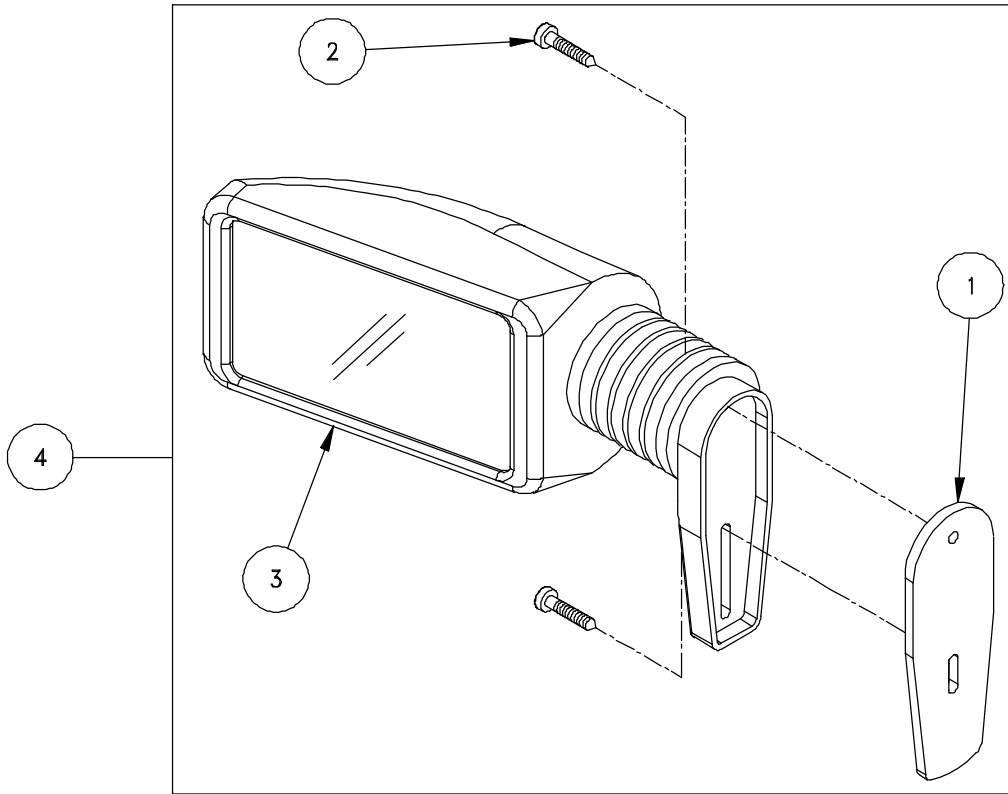
ASSY, SEAT - REAR

ITEM	PART NO.	DESCRIPTION	QTY.
1	0105-00653	ASSY, SEAT BACK - BENCH (RCO) (Early 2005 Models)	1
1	0105-01132	ASSY, BENCH SEAT - BACK FLXSTL (FLEXSTEEL) (Later 2005 Models)	1
2	0105-00654	ASSY, BENCH SEAT - CUSHION (RCO) (Early 2005 Models)	1
2	0105-01133	ASSY, BENCH SEAT - CUSHION - FLXSTL (FLEXSTEEL) (Later 2005 Models)	1
3	0305-00926	BRACKET, SAFETY - LH SEAT	1
4	0305-00927	BRACKET, SAFETY - RH SEAT	1
5	0310-00966	STRAP, SEAT BOTTOM RELEASE	1
6	0521-00017	NUT, HEX - NYLOCK 5/16-18 UNC GR5 ZN	2
7	0522-00016	BOLT, HEX - HHCS 5/16 - 18 UNC X 1.0 GR 5 ZINC PLATED	2
8	0522-00144	BOLT, HEX - HHCS 5/16 - 18 UNC X .75 GR 5 ZINC PLATED	1
9	0522-00238	BOLT, HEX HD 1/4-20 UNC X 1.25 GR 5 ZINC PLATED	1
10	0523-00273	SCREW, PHIL FLAT FT THRD ROL TT - 1/4 -	4
11	0524-00003	WASHER, FLAT - 5/16 SAE .344 ID X .688 OD X .065 THK ZN	3
12	0524-00081	WASHER, LOCK - 5/16 ZINC PLATED -	1
13	0524-00115	WASHER, FLAT - M12 13mm ID X 24mm OD X 2.5mm THK	1
14	0524-00167	WASHER, FLAT - 5/16 X 1.5 OD ZINC PLATED	2
15	0524-00315	WASHER, FENDER - .25 ID x 1.0 OD generic ZN	2
16	0523-00122	SCREW, HEX - WHSD 1/4 X 1.5 ZINC PLATED	2
17	0605-00236	STEM, SEAT HOLD DOWN	1
18	0605-00237	SOCKET, SEAT HOLD DOWN	1
19	0610-00299	BUMPER, SEAT BASE/BACK	2



ASSY, SAFETY RESTRAINT - BENCH (NEW STYLE USED WITH RCO SEATS & FLEXSTEEL SEATS)

ITEM	PART NO.	DESCRIPTION	QTY.
1	0521-00024	NUT, HEX FLANGE 1/2-13 UNC GR 6 TECH LOCK	4
2	0521-00129	NUT, HEX FLANGE 7/16-14 UNC GR 5 ZN TECH LOCK	2
3	0522-00021	BOLT, HEX - HHCS 1/2 - 13 UNC X 1.0 GR 8 ZN YL ZINC PLATED	2
4	0522-00164	BOLT, HEX 7/16 - 14 UNC X 1.25 GR 8 ZINC PLATED	2
5	0522-00229	BOLT, TORX HEAD 1/2 - 13 X 1" GR 8 ZN PL	2
6	0524-00115	WASHER, FLAT - M12 13mm ID X 24mm OD X 2.5mm THK	2
7	0605-00296	KIT, SAFETY RESTRAINT - 3 POINT (NEW STYLE USED WITH RCO SEATS)	2

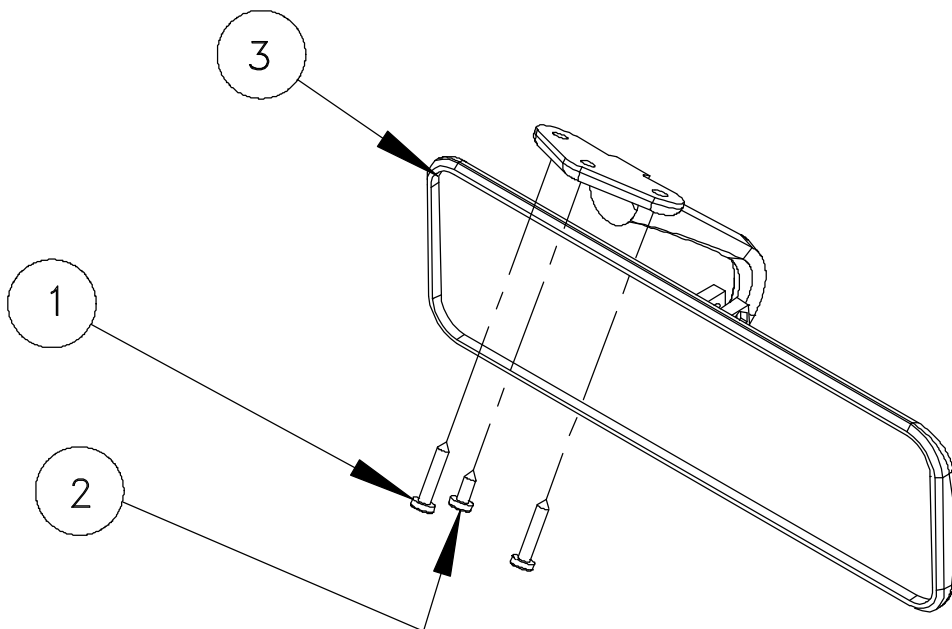


L0110-00588

ASSY, MIRROR - SIDE

<u>ITEM</u>	<u>PART NO.</u>	<u>DESCRIPTION</u>	<u>QTY.</u>
1	0310-00856	GASKET, SIDE MIRROR	1
2	0523-00208	SCREW, PHIL PAN HEAD- #10 X 1.0 LG STL 18-8 SELF THREADING -	2
3	0610-00243	MIRROR, SIDE (MIRROR IS INTERCHANGABLE FOR LEFT AND RIGHT)	1
4	0110-00588	ASSY, MIRROR - SIDE (Includes all of the items above)	1

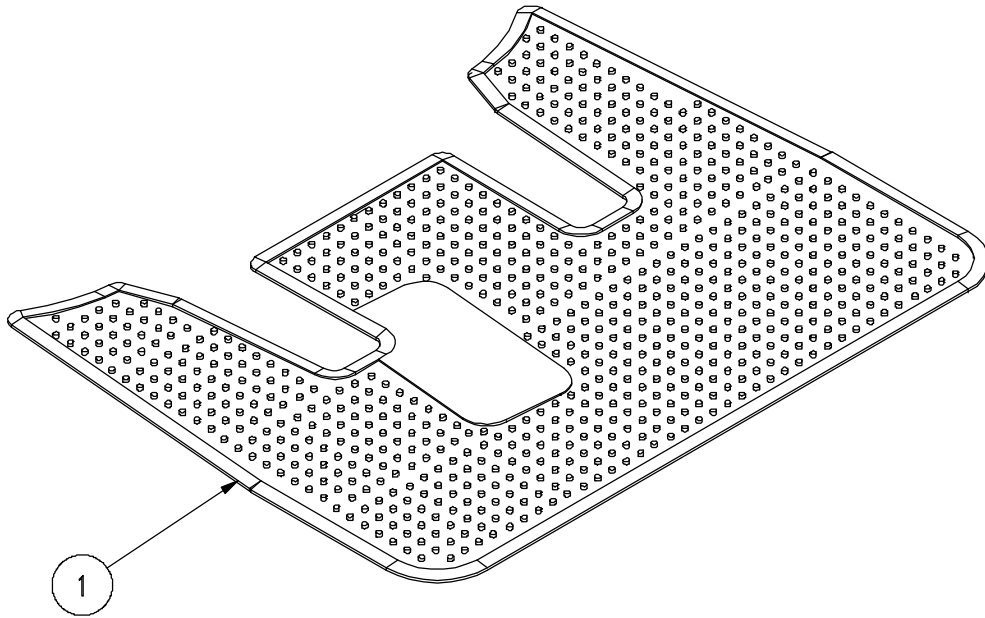
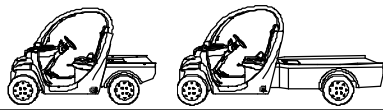
NOTE: Mirror assembly is used for left and right side



L0110-00066

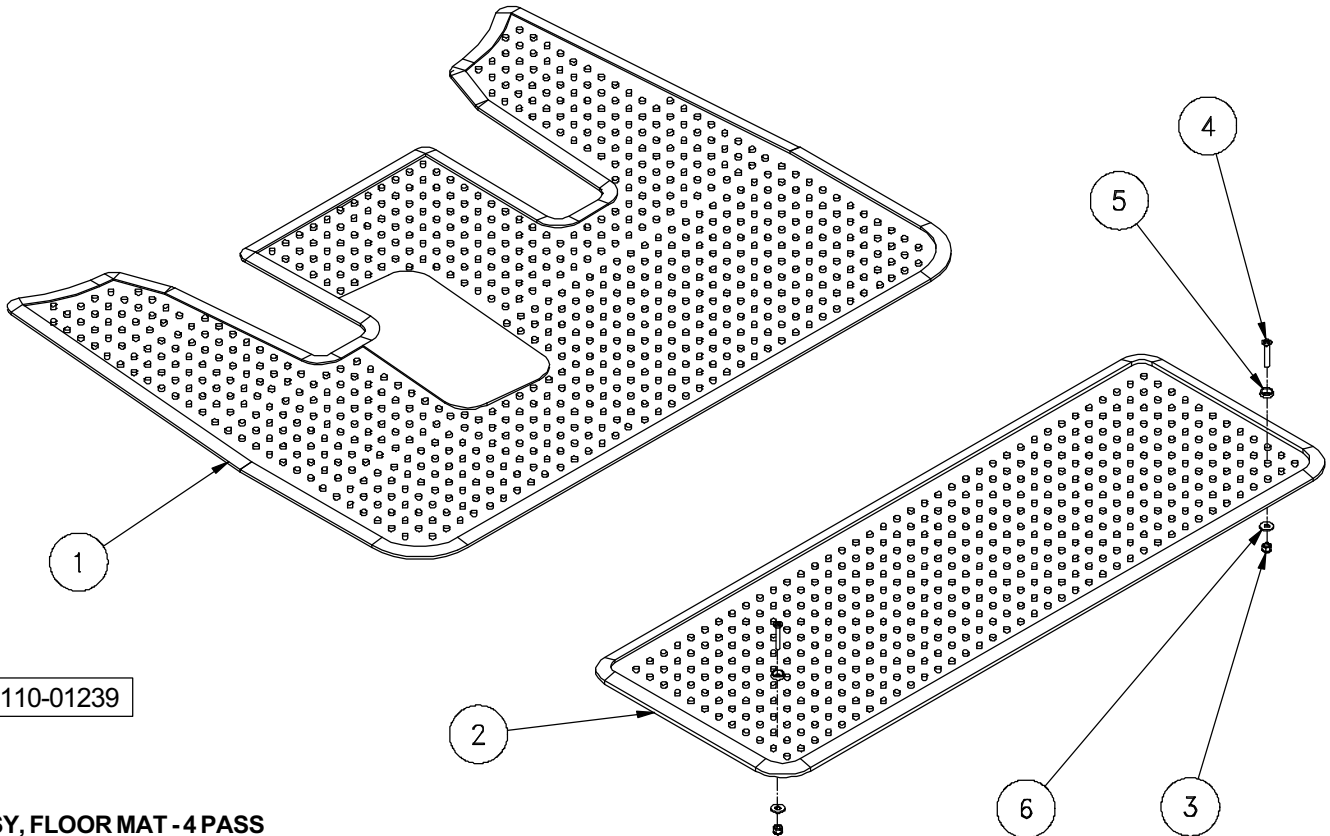
ASSY, REAR-VIEW MIRROR ASSEMBLY

<u>ITEM</u>	<u>PART NO.</u>	<u>DESCRIPTION</u>	<u>QTY.</u>
1	0523-00064	SCREW, PHIL PAN HEAD- #6 X 3/4 LG BLACK SELF THREADING	2
2	0523-00066	SCREW, PHIL PAN HEAD - #6 X 3/8 BLACK SELF THREADING	1
3	0610-00023	MIRROR, REARVIEW - SCREW ON MODEL	1



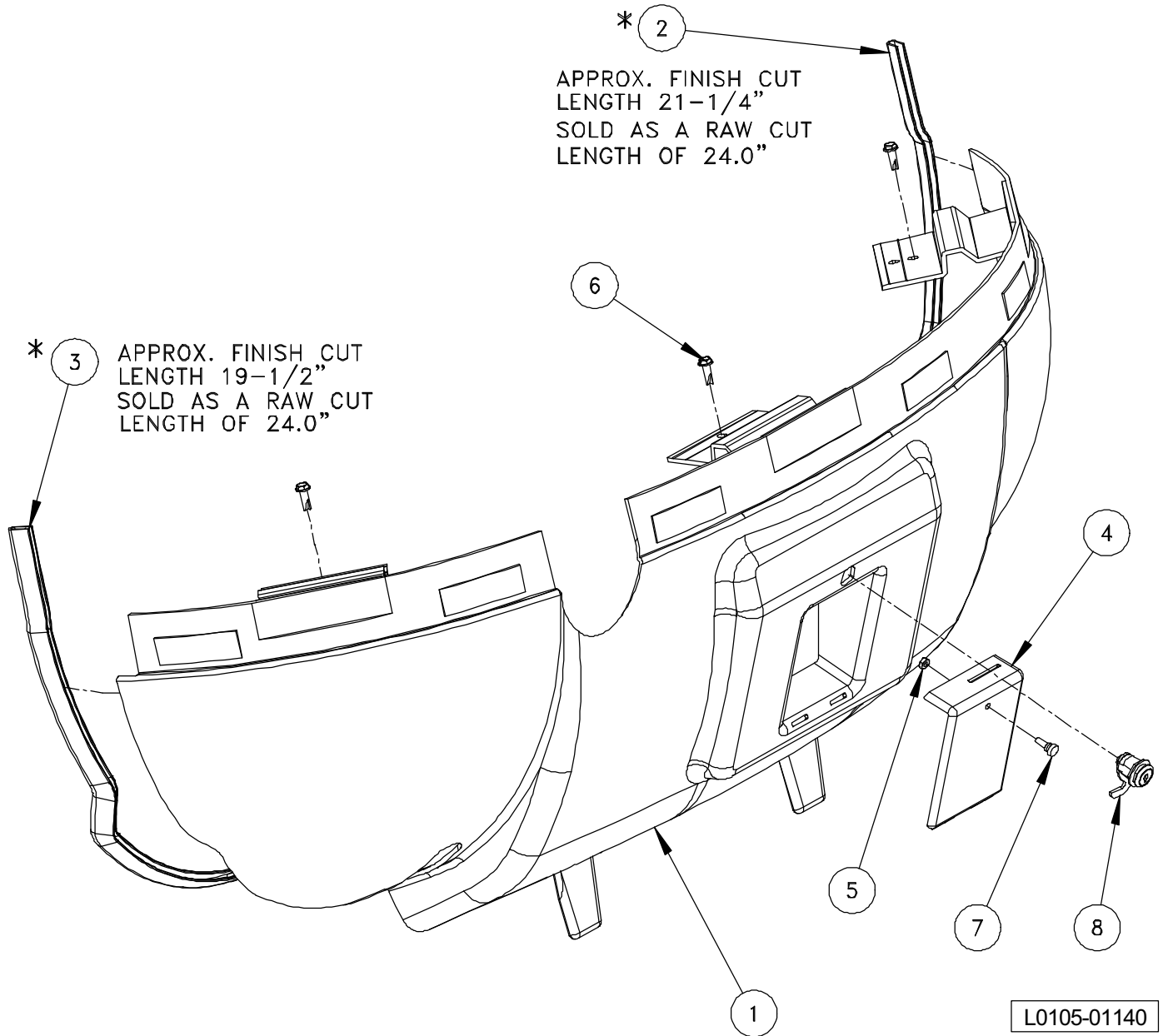
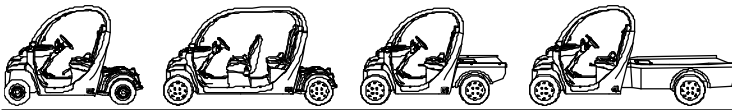
MAT, FLOOR - 2 PASS

<u>ITEM</u>	<u>PART NO.</u>	<u>DESCRIPTION</u>	<u>QTY.</u>
1	0318-01513	MAT, FLOOR - 2 PASS 05	1



ASSY, FLOOR MAT - 4 PASS

<u>ITEM</u>	<u>PART NO.</u>	<u>DESCRIPTION</u>	<u>QTY.</u>
1	0318-01513	MAT, FLOOR - 2 PASS 05	1
1	0318-00230	MAT, FLOOR - REAR 4 PASS	1
3	0521-00050	NUT, HEX - NYLOCK 1/4-20 UNC GR5 ZN	2
4	0523-00052	SCREW, MACH - OVAL PHIL 1/4 - 20 UNC X 1.5 LG ZINC PLATED	2
5	0524-00054	WASHER, COUNTER SINK 1/4 INCH	2
6	0524-00062	WASHER, FLAT - 1/4 .282 ID X .715 OD X .063 THK ZN	2



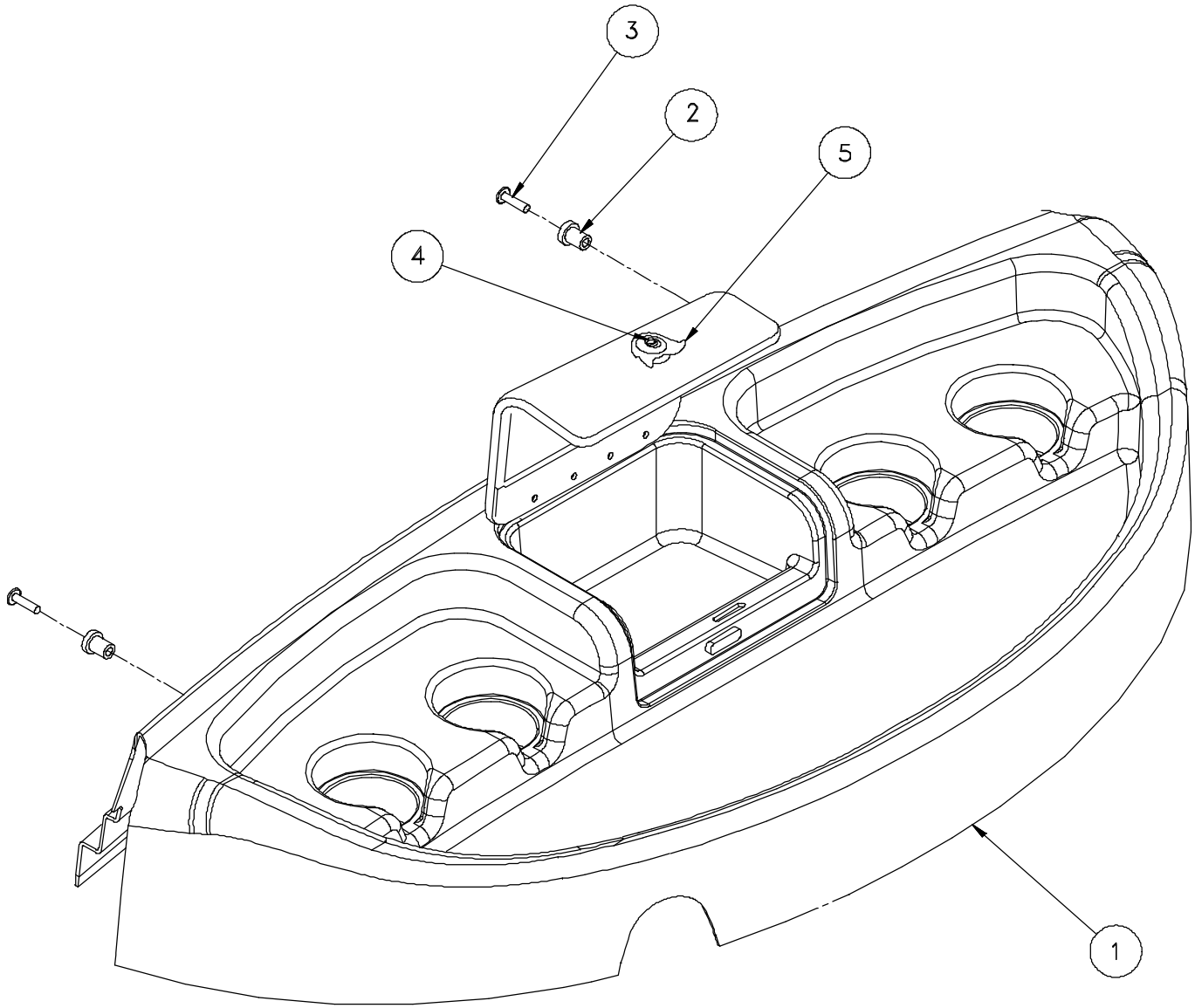
ASSY, LOWER DASH

ITEM	PART NO.	DESCRIPTION	QTY.
1	0105-01141	ASSY, DASH - LOWER	1
2*	0417-00089	TRIM, EDGE - U SHAPE BLACK VINYL METAL R (Formerly P/N 0305-00515 TRIM, LOWER DASH - RH)	1
3*	0417-00089	TRIM, EDGE - U SHAPE BLACK VINYL METAL R (Formerly P/N 0305-00516 TRIM, LOWER DASH - LH)	1
4	0305-01355	DOOR, FUSE ACCESS PANEL	1
5	0521-00391	NUT, HEX - NYLON 6/6 #10 -32 UNF BLK -	1
6	0523-00032	SCREW, HEX - WHSD 1/4 X .75 ZN - -	3
7	0523-00392	SCREW, MACHINE- THB #10 X 32 UNF X .50 LG BLK NYLON 6/6	1
8	**0906-00016	LOCK, DOOR - FUSE ACCESS PANEL (ORDER P/N 0906-00016 FOR ES AND EL MODELS)	1
8	**0906-00017	LOCK, DOOR - FUSE ACCESS PANEL (ORDER P/N 0906-00017 FOR E2 AND E4 MODELS)	1

* (0417-00089 TRIM, EDGE - U SHAPE BLACK VINYL METAL R) Is sold by the foot only. For the lower dash, order 2 Ft. per side.

**** LOCKS ARE ONLY AVAILABLE AS A COMPLETE MATCHED SET WHICH INCLUDES THE ON/OFF, GLOVE BOX, FUSE BOX PANEL, AND ACCESSORY LOCK HANDLE FOR E2 AND E4 MODELS.**

**** LOCKS ARE ONLY AVAILABLE AS A COMPLETE MATCHED SET WHICH INCLUDES THE ON/OFF, GLOVE BOX, AND FUSE BOX PANEL FOR ES AND EL MODELS.**



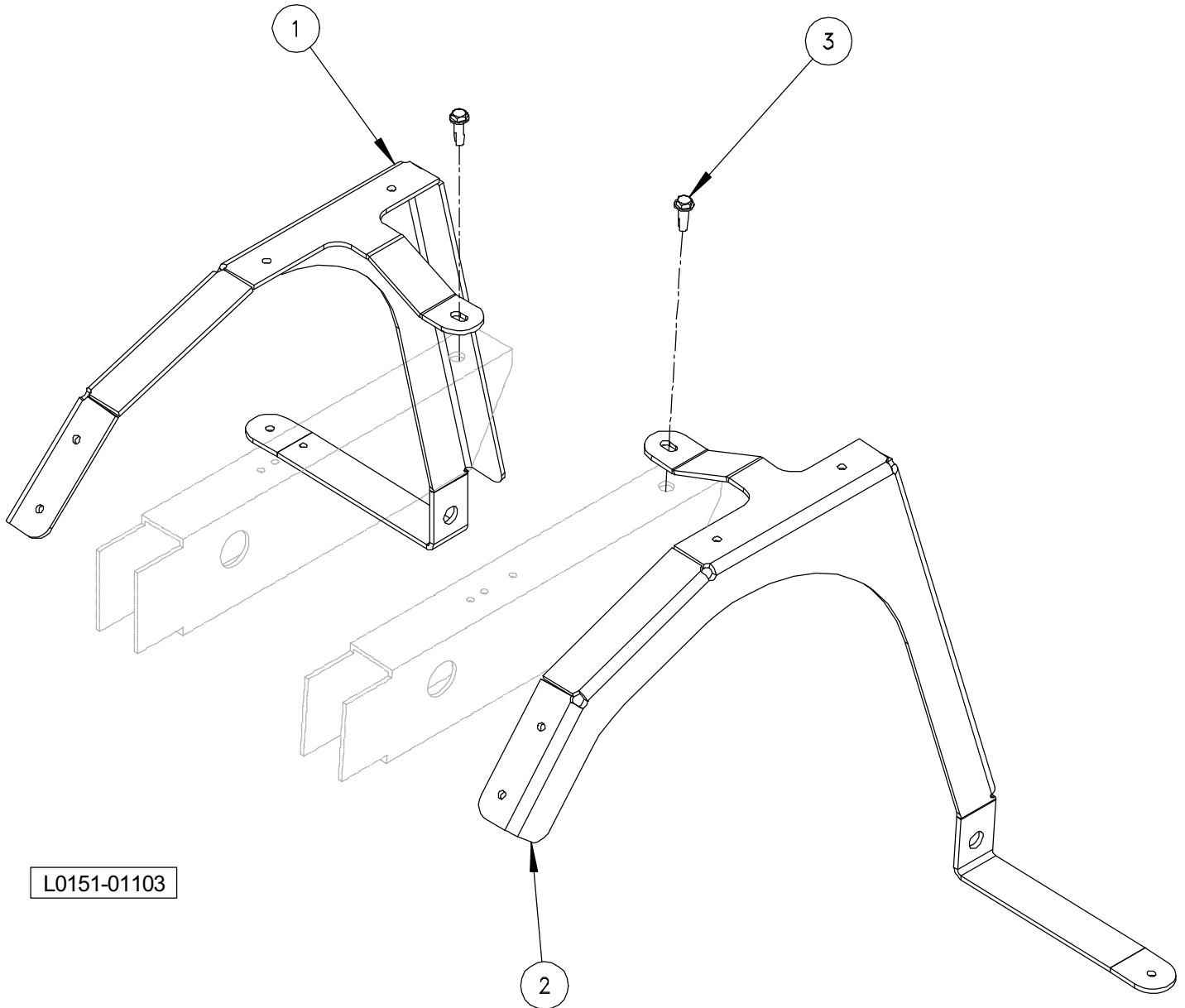
L0105-00243

ASSY, DASH UPPER

<u>ITEM</u>	<u>PART NO.</u>	<u>DESCRIPTION</u>	<u>QTY.</u>
1	0105-00070	ASSY, DASH	1
2	0521-00092	NUT, WELL - 1/4 - 20 UNC x 5/8"	2
3	0522-00333	BOLT, TORX - TRUSS HD - 1/4 - 20 X 1 - 18-8 S.S.	2
4	*0906-00016	LOCK, GLOVE BOX MATCHED KEY (ORDER P/N 0906-00016 FOR ES AND EL MODELS)	1
4	*0906-00017	LOCK, GLOVE BOX MATCHED KEY (ORDER P/N 0906-00017 FOR E2 AND E4 MODELS)	1
5	0305-01458	PULL FINGERTAB-MACHINED	1

* LOCKS ARE ONLY AVAILABLE AS A COMPLETE MATCHED SET WHICH INCLUDES THE ON/OFF, GLOVE BOX, FUSE BOX PANEL, AND ACCESSORY LOCK HANDLE FOR E2 AND E4 MODELS.

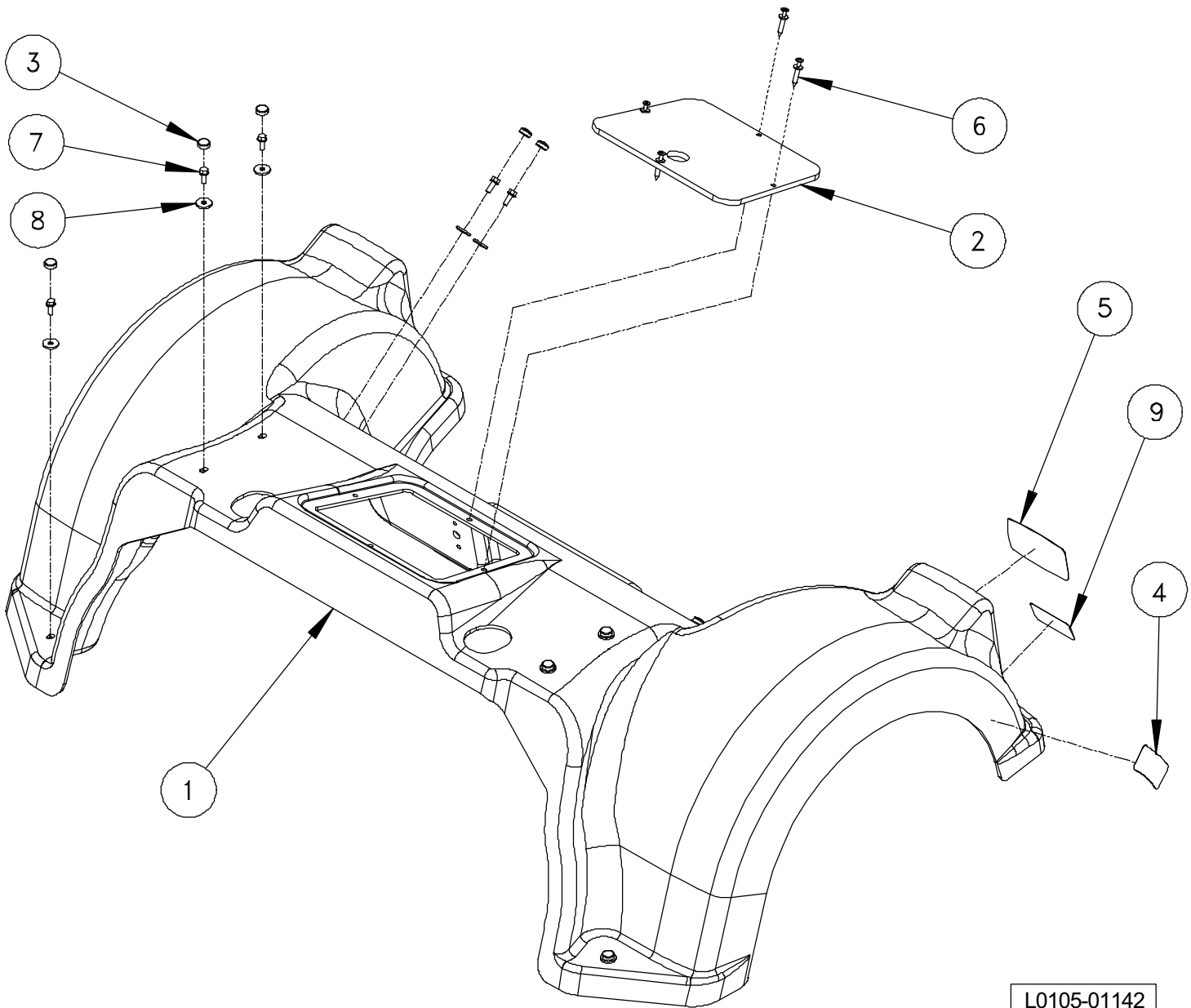
* LOCKS ARE ONLY AVAILABLE AS A COMPLETE MATCHED SET WHICH INCLUDES THE ON/OFF, GLOVE BOX, AND FUSE BOX PANEL FOR ES AND EL MODELS.



L0151-01103

ASSY, SPAT BRACKETS - 46 IN WT

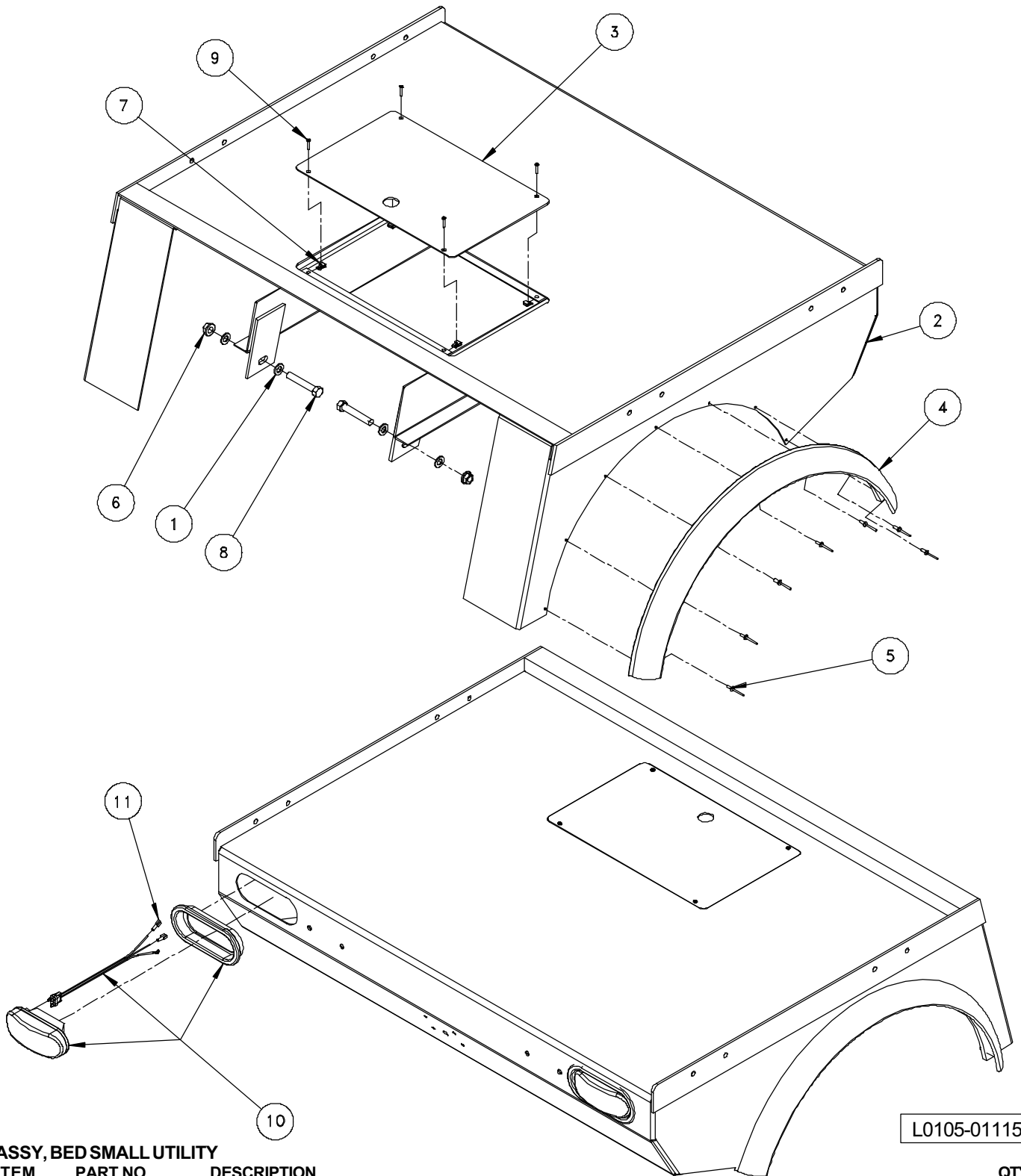
<u>ITEM</u>	<u>PART NO.</u>	<u>DESCRIPTION</u>	<u>QTY.</u>
1	0351-01418	BRACKET, SPAT MNT - LH (2005 MODEL)	1
2	0351-01419	BRACKET, SPAT MNT - RH 2005 MODEL	1
3	0523-00032	SCREW, HEX - WHSD 1/4 X .75 ZN - -	2



L0105-01142

ASSY, SPAT - 2005

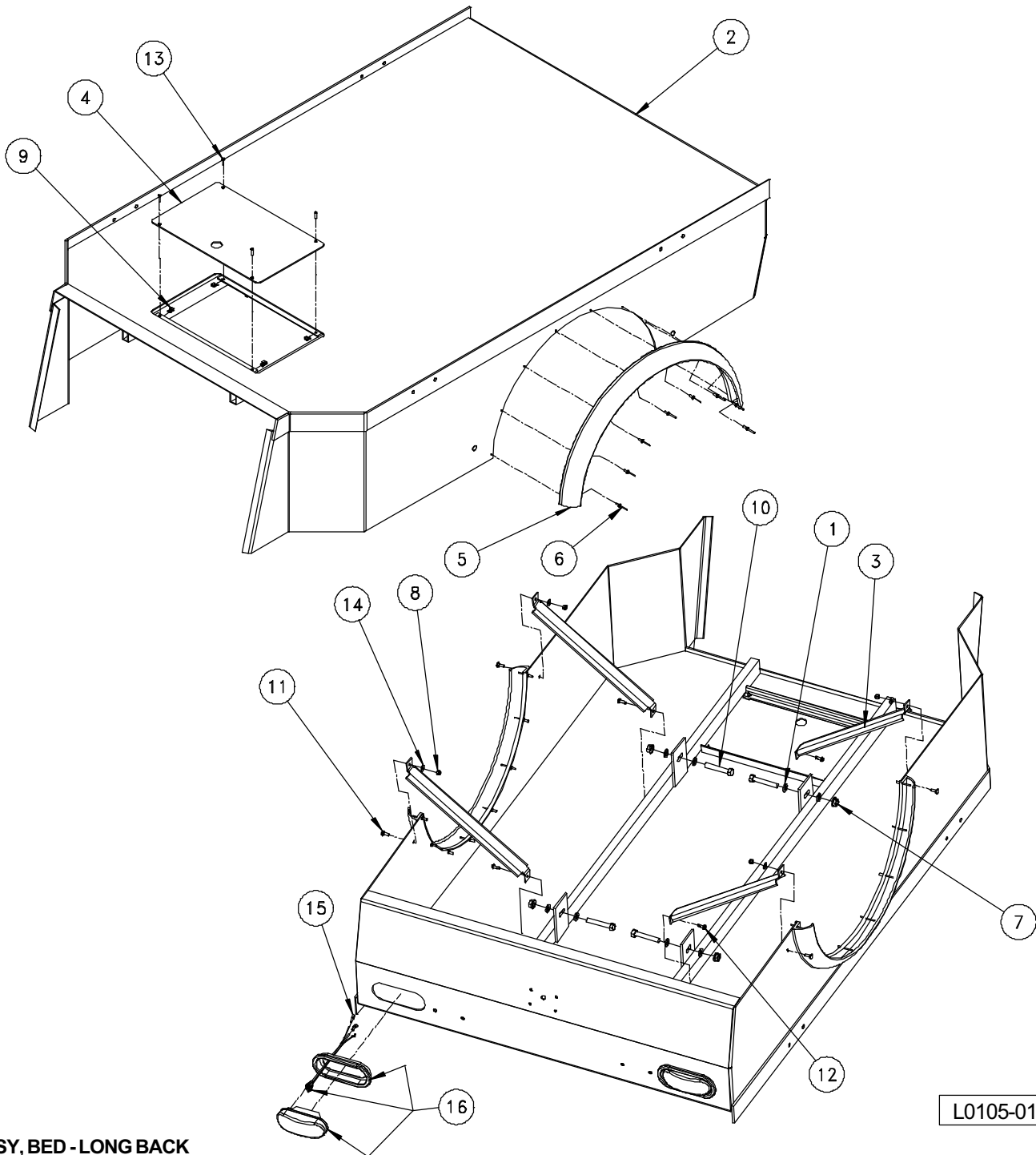
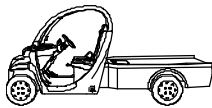
ITEM	PART NO.	DESCRIPTION	QTY.
1	0305-01341	SPAT, RED 46 IN WT CMP	1
1	0305-01342	SPAT, YELLOW 46 IN WT CMP	1
1	0305-01343	SPAT, BLUE 46 IN WT CMP	1
1	0305-01344	SPAT, GREEN 46 IN WT CMP	1
1	0305-01345	SPAT, WHITE 46 IN WT CMP	1
1	0305-01346	SPAT, SILVER 46 IN WT CMP	1
2	0305-01447	PANEL, ACCESS - BATTERY RED	1
2	0305-01448	PANEL, ACCESS - BATTERY YELLOW	1
2	0305-01449	PANEL, ACCESS - BATTERY BLUE	1
2	0305-01450	PANEL, ACCESS - BATTERY GREEN	1
2	0305-01451	PANEL, ACCESS - BATTERY WHITE	1
2	0305-01452	PANEL, ACCESS - BATTERY SILVER	1
3	0317-01462	CAP, DECORATIVE	10
4	0350-00542	DECAL, REFLECTOR	4
5	0350-01501	DECAL, REFLECTOR - BACK PANEL	2
6	0520-00406	RIVET, PUSH 1/4 BLK NYLON	4
7	0522-00396	BOLT, HEX - 1/4 - 20 UNSLT X 5/8 LG WSR HD ZN	10
8	0524-00404	WASHER, FLAT - .265 ID X .875 OD X .093 THK BLK NYLON 6/6	10
9	0350-01055	DECAL, REFLECTIVE - REAR SIDES	2



L0105-01115

ASSY, BED SMALL UTILITY

ITEM	PART NO.	DESCRIPTION	QTY.
1	0524-00115	WASHER, FLAT - M12 13mm ID X 24mm OD X 2.5mm THK	4
2	0205-00177	WLD, BED - SHORT BACK -	1
3	0305-01428	COVER, BATTERY ACCESS	1
4	0305-01490	TRIM, FENDER WELL - RUBBER - SH BACK	2
5	0520-00158	RIVET, POP - 3/16 ALUM .25 GRIP X .375 FLANGE DIA. BLACK FINISH	14
6	0521-00024	NUT, HEX FLANGE 1/2-13 UNC GR 6 TECH LOCK	2
7	0521-00385	NUT, EXTRUDED J - #8 - BLK	4
8	0522-00076	BOLT, HEX - 1/2 - 13 UNC X 3.0 GR 8 ZN YL ZINC PLATED	2
9	0523-00397	SCREW, PHILLIPS - FLAT HEAD - #8 X 3/4 TAPPING, ZINC PLATED	4
10	0606-00147	KIT, TAIL LIGHT - LG UTILITY BED	2
11	0606-00108	TERMINAL SPADE-FEMALE INSULATED1/4"14-16	4



ASSY, BED - LONG BACK

ITEM	PART NO.	DESCRIPTION	QTY.
1	0524-00115	WASHER, FLAT - M12 13mm ID X 24mm OD X 2.5mm THK	8
2	0205-00176	WLD, BED - LONG BACK	1
3	0305-00890	SUPPORT, SIDE SHEET - LG UTILITY	4
4	0305-01428	COVER, BATTERY ACCESS	1
5	0305-01491	TRIM, FENDER WELL - RUBBER - LG BACK	2
6	0520-00158	RIVET, POP - 3/16 ALUM .25 GRIP X .375 FLANGE DIA. BLACK FINISH	16
7	0521-00024	NUT, HEX FLANGE 1/2-13 UNC GR 6 TECH LOCK	4
8	0521-00050	NUT, HEX - NYLOCK 1/4-20 UNC GR5 ZN	4
9	0521-00385	NUT, EXTRUDED J - #8 - BLK	4
10	0522-00076	BOLT, HEX - 1/2 - 13 UNC X 3.0 GR 8 ZN YL ZINC PLATED	4
11	0522-00096	BOLT, CARRIAGE - 1/4 - 20 UNC X .750 LG GR 5 - -	4
12	0523-00032	SCREW, HEX - WHSD 1/4 X .75 ZN - -	4
13	0523-00397	SCREW, PHILLIPS - FLAT HEAD - #8 X 3/4 TAPPING, ZINC PLATED	4
14	0524-00062	WASHER, FLAT - 1/4 .282 ID X .715 OD X .063 THK ZN	4
15	0606-00108	TERMINAL SPADE-FEMALE INSULATED 1/4"14-16	4
16	0606-00147	KIT, TAIL LIGHT - LG UTILITY BED	2