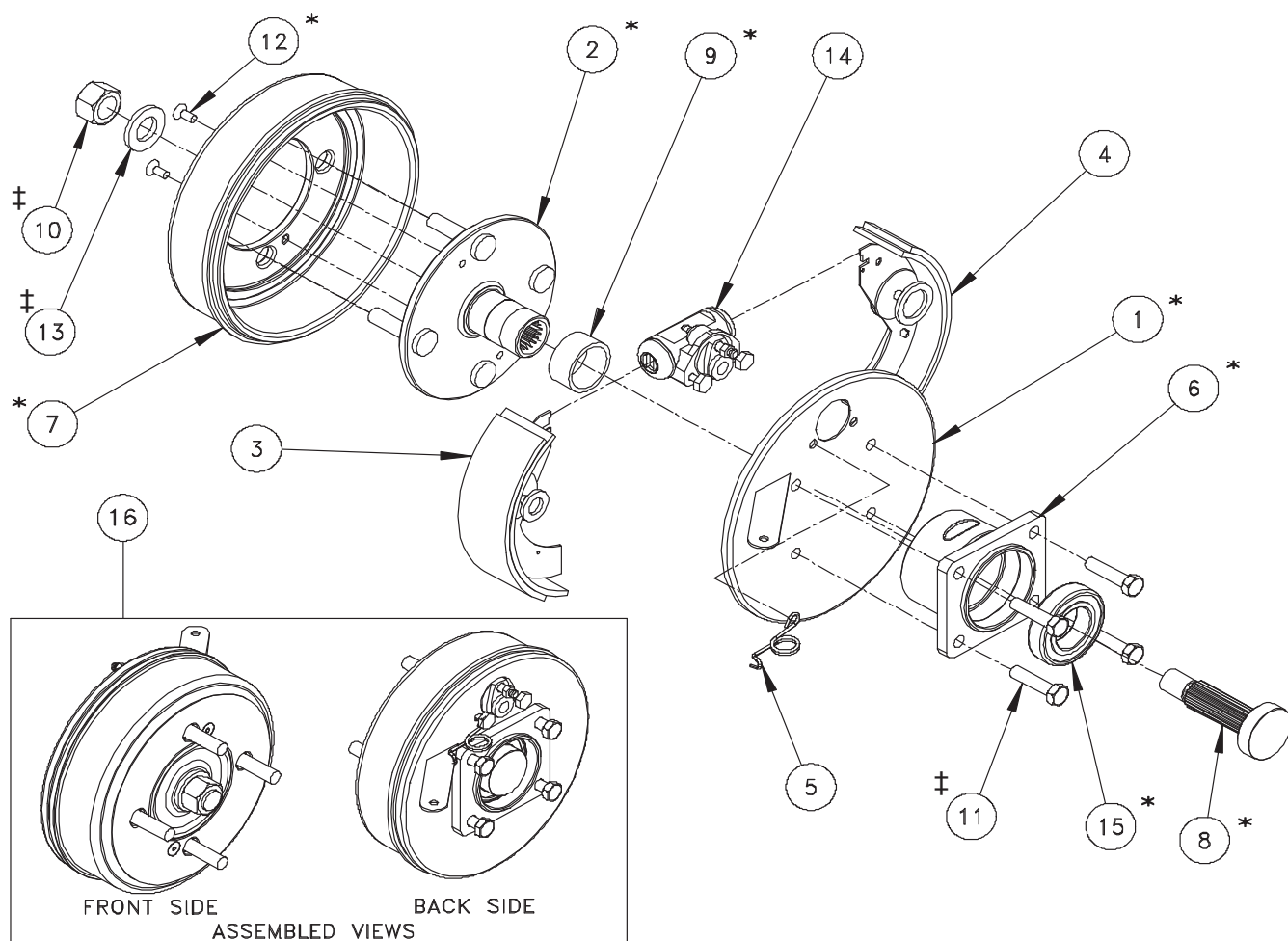
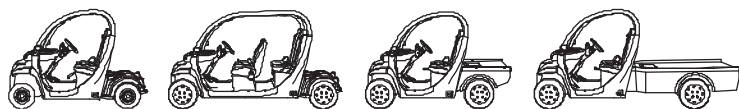


ASSY, WHEEL END - RH REAR - 12MM

ITEM	PART NO.	DESCRIPTION	QTY.
1	*	ASSY, BRAKE - RH REAR	1
2	*	ASSY, HUB	1
3	0311-00833	SHOE, BRAKE RIGHT	1
4	0311-00834	SHOE, BRAKE LEFT	1
5	† 0311-00884	SPRING, E-BRAKE RELEASE LH	1
6	*	SPINDLE	1
7	*	DRUM	1
8	*	SHAFT, AXLE	1
9	*	TUBE, SPACER - BEARING	1
10	‡ 0521-00035	NUT, HEX - TOP LOCK - M16 X 1.5 GRADE 12	1
11	‡ 0522-00038	BOLT, HEX - HHCS - M8 X 1.25 X 34.5 GR 8.8	4
12	*	SCREW, HEX SOCKET - CNTSK M5 X .8 X 12 LG GR 10.9	2
13	‡ 0524-00036	WASHER, FLAT - M16 NARROW 17.52 ID 32 OD	1
14	0611-00203	KIT, CYLINDER - BRAKE - REAR	1
15	*	BEARING, ROLLER	1
16	0116-00166	ASSY, WHEEL END - RH REAR - 12MM (Includes all of the items above)	1

*STARRED ITEMS ARE NOT AVAILABLE SEPARATELY

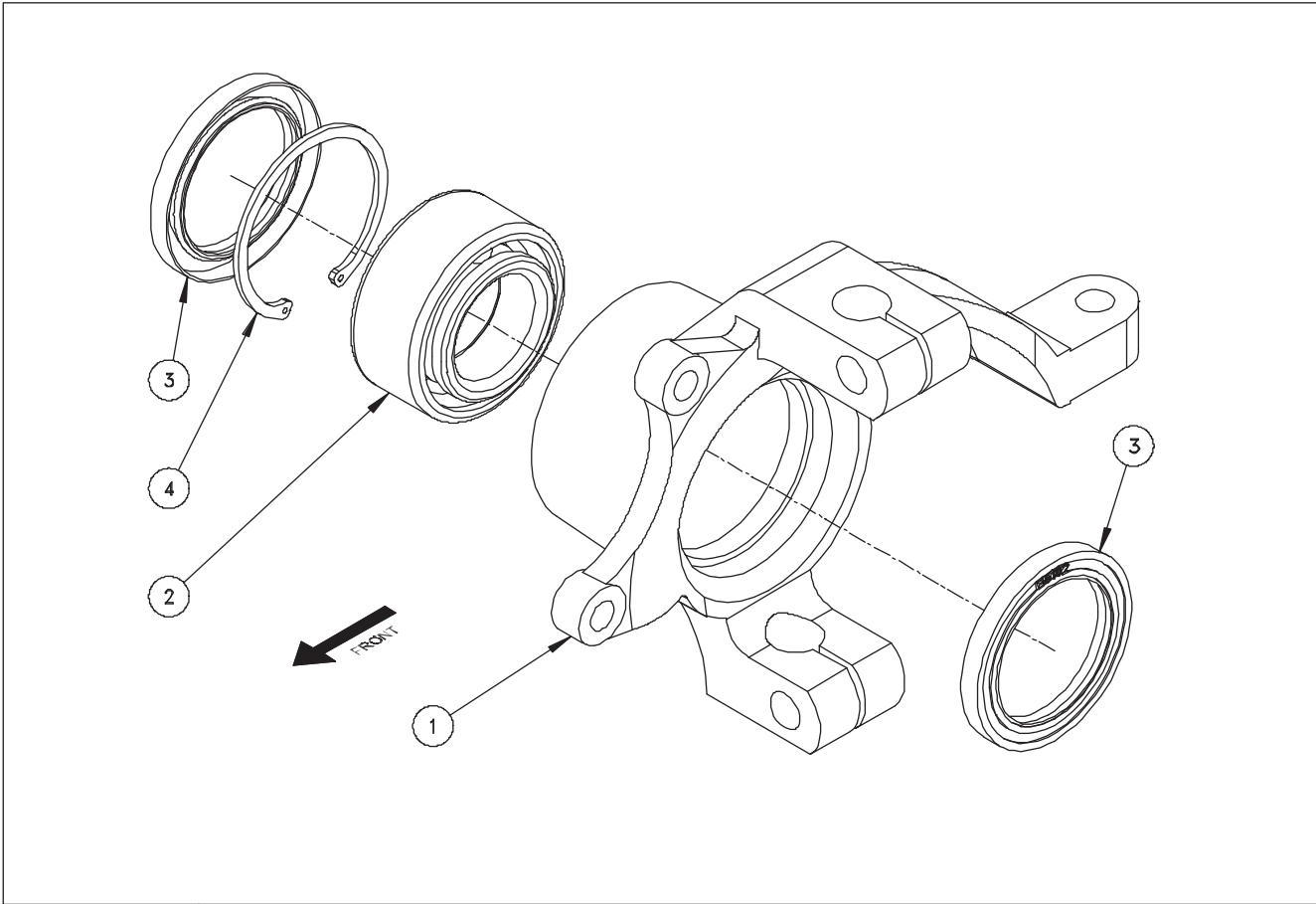
‡ ITEMS ARE NOT INCLUDED WITH 0116-00166



ASSY, WHEEL END - LH REAR - 12MM

<u>ITEM</u>	<u>PART NO.</u>	<u>DESCRIPTION</u>	<u>QTY.</u>
1	*	ASSY, BRAKE - LH REAR	1
2	*	ASSY, HUB	1
3	0311-00833	SHOE, BRAKE RIGHT	1
4	0311-00834	SHOE, BRAKE LEFT	1
5	‡ 0311-00883	SPRING, E-BRAKE RELEASE RH	1
6	*	SPINDLE	1
7	*	DRUM	1
8	*	SHAFT, AXLE	1
9	*	TUBE, SPACER - BEARING	1
10	‡ 0521-00035	NUT, HEX - TOP LOCK - M16 X 1.5 GRADE 1	1
11	‡ 0522-00038	BOLT, HEX - HHCS - M8 X 1.25 X 34.5 GR 8.8	4
12	*	SCREW, HEX SOCKET - CNTSK M5 X .8 X 12 LG GR 10.9	2
13	‡ 0524-00036	WASHER, FLAT - M16 NARROW 17.52 ID 32 OD	1
14	0611-00203	KIT, CYLINDER - BRAKE - REAR	1
15	*	BEARING, ROLLER	1
16	0116-00167	ASSY, WHEEL END - LH REAR - 12MM (Includes all of the items above)	1

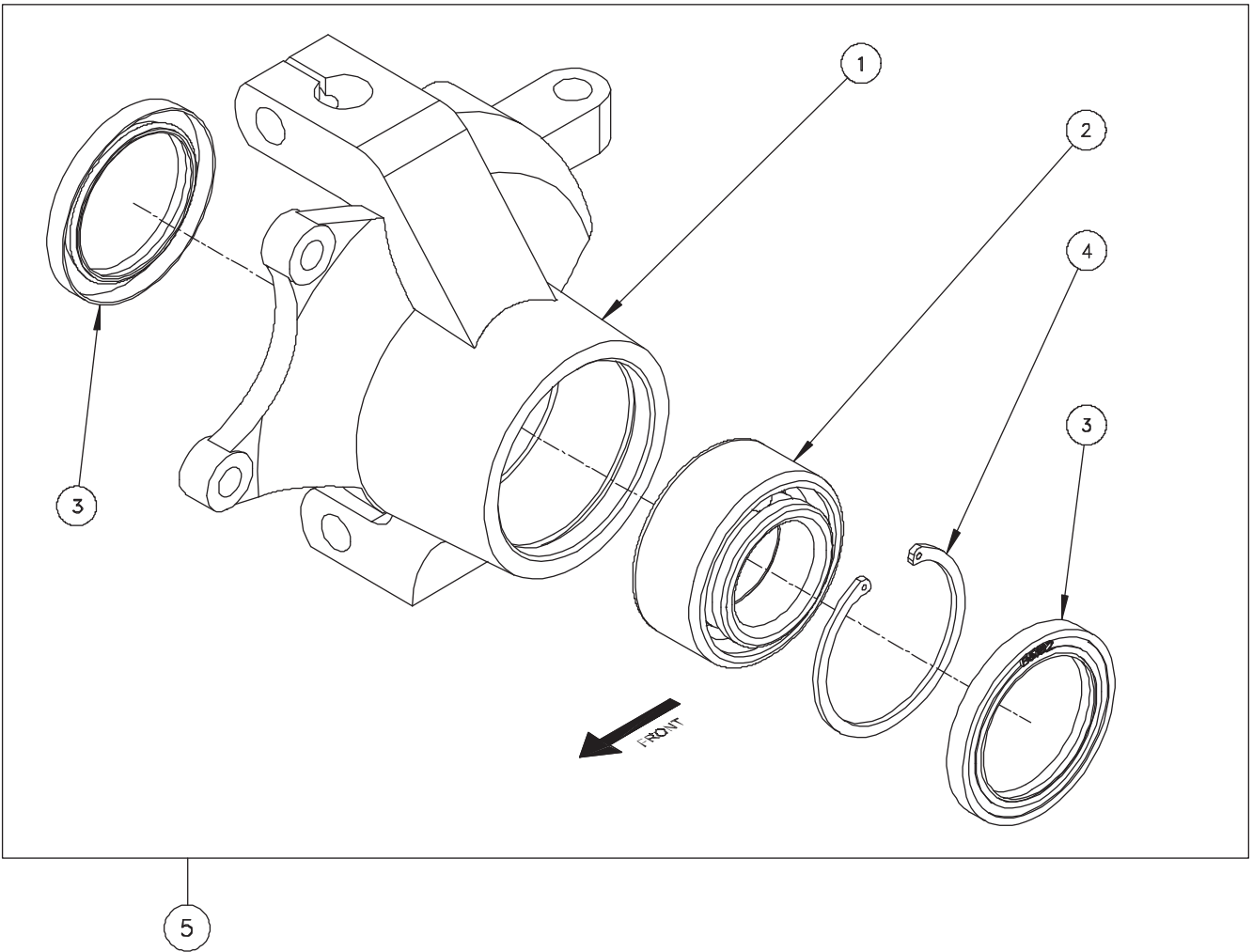
* STARRED ITEMS ARE NOT AVAILABLE SEPARATELY
‡ ITEMS ARE NOT INCLUDED WITH 0116-00166



ASSY, KNUCKLE - RH 10 INCH

<u>ITEM</u>	<u>PART NO.</u>	<u>DESCRIPTION</u>	<u>QTY.</u>
*1	0303-01403	KNUCKLE, MACHINED - RH 10" AS IS QA1	1
*2	0610-00455	BEARING, DOUBLE ROW - BALL BEARING	1
*3	0610-00456	SEAL, WHEEL	2
4	0610-00457	RETAINER, SNAPRING - INTERNAL - 2.1"	1
5	0103-01214	ASSY, KNUCKLE - RH 10 INCH	1

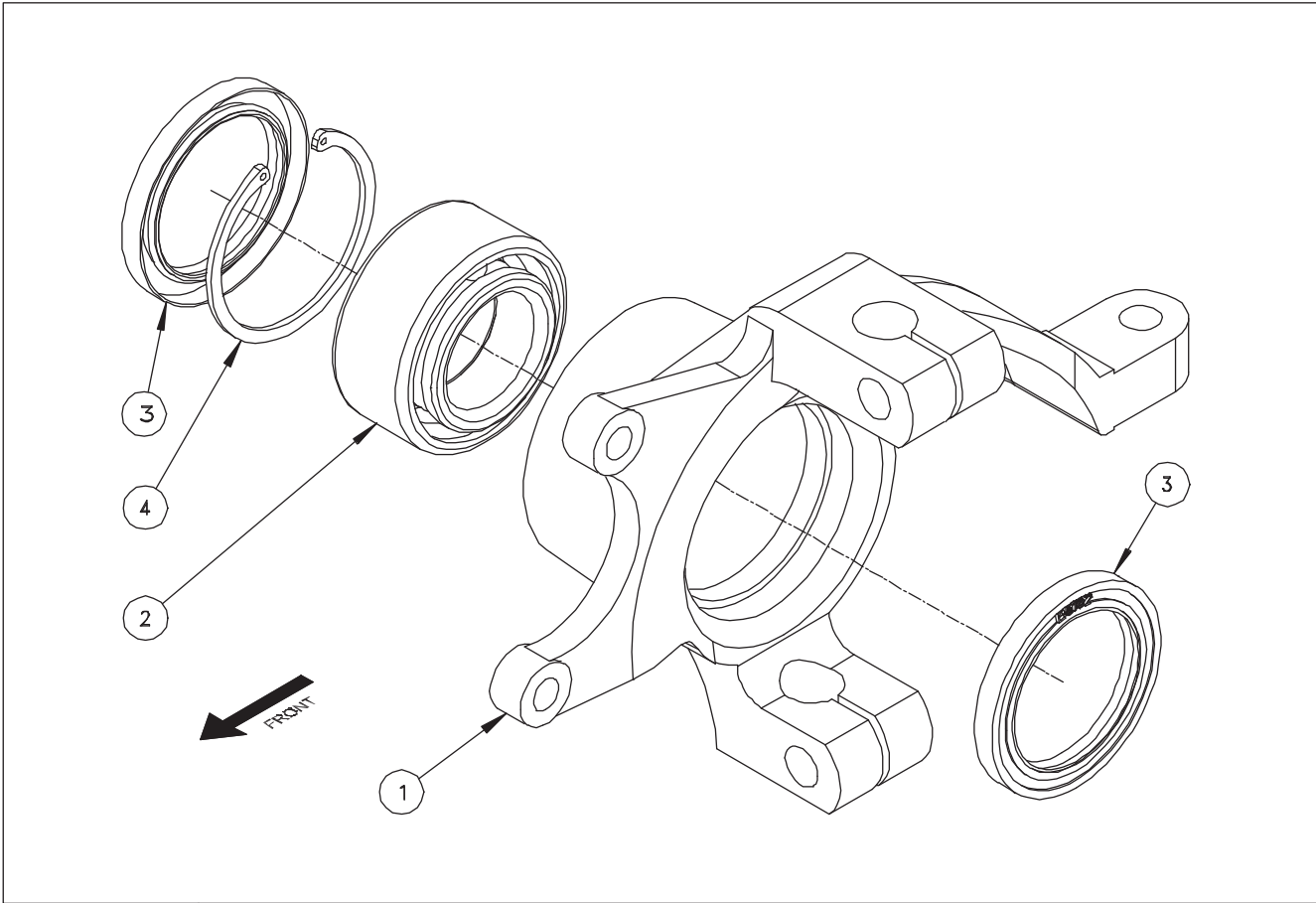
*Not Sold Separately



ASSY, KNUCKLE - LH 10 INCH

<u>ITEM</u>	<u>PART NO.</u>	<u>DESCRIPTION</u>	<u>QTY.</u>
*1	0303-01402	KNUCKLE, MACHINED - LH - 10" AS IS QA1	1
*2	0610-00455	BEARING, DOUBLE ROW - BALL BEARING	1
*3	0610-00456	SEAL, WHEEL	2
4	0610-00457	RETAINER, SNAPRING - INTERNAL - 2.1"	1
5	0103-01215	ASSY, KNUCKLE - LH 10 INCH	1

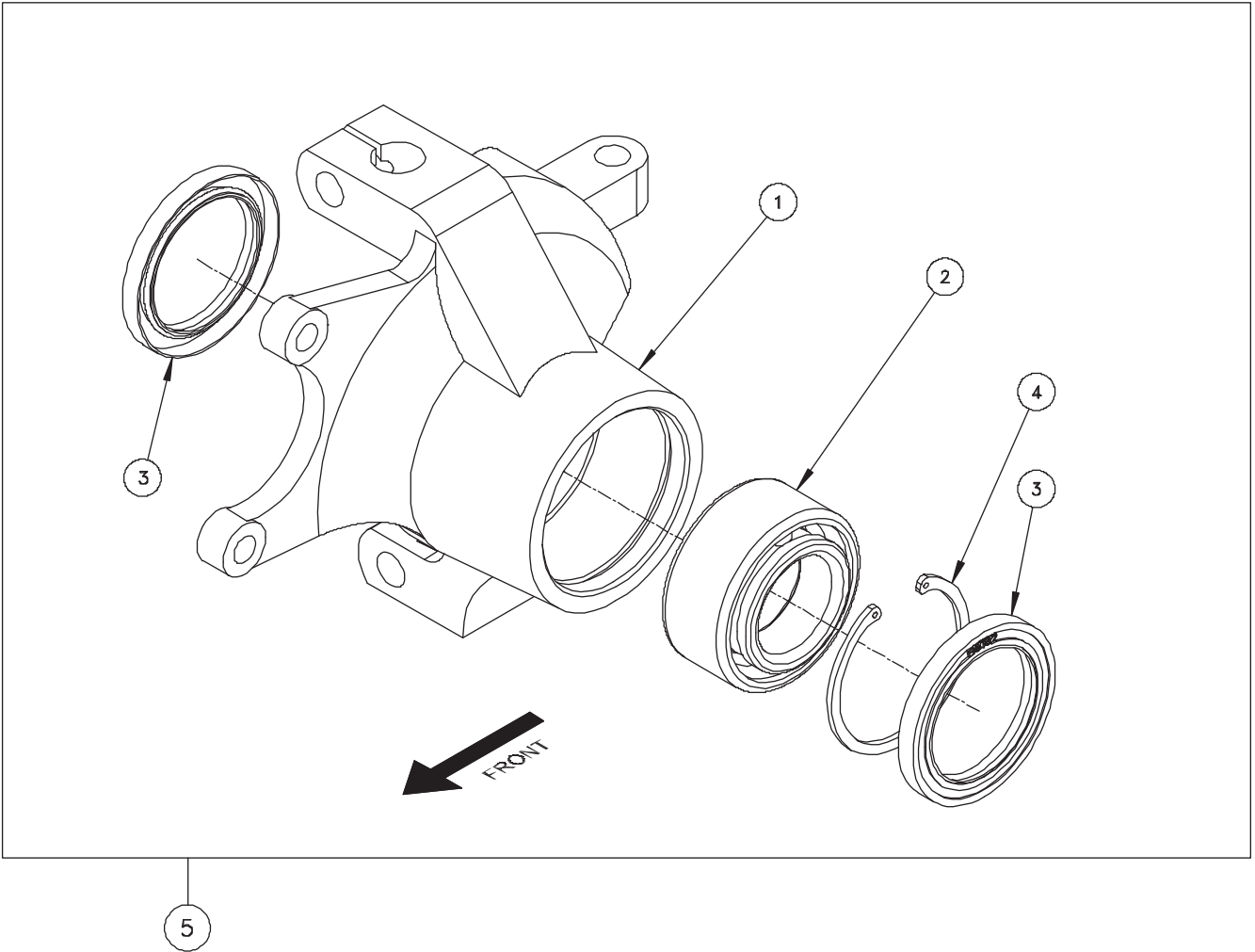
*Not Sold Separately



ASSY, KNUCKLE - RH 12 INCH

<u>ITEM</u>	<u>PART NO.</u>	<u>DESCRIPTION</u>	<u>QTY.</u>
*1	0303-01478	KNUCKLE, MACHINED - RH (QA1)	1
*2	0610-00455	BEARING, DOUBLE ROW - BALL BEARING	1
*3	0610-00456	SEAL, WHEEL	2
4	0610-00457	RETAINER, SNAPRING - INTERNAL - 2.1"	1
5	0103-01216	ASSY, KNUCKLE - RH 12 INCH	1

*Not Sold Separately



ASSY, KNUCKLE - LH 12 INCH

<u>ITEM</u>	<u>PART NO.</u>	<u>DESCRIPTION</u>	<u>QTY.</u>
*1	0303-01479	KNUCKLE, MACHINED - LH (QA1)	1
*2	0610-00455	BEARING, DOUBLE ROW - BALL BEARING	1
*3	0610-00456	SEAL, WHEEL	2
4	0610-00457	RETAINER, SNAPRING - INTERNAL - 2.1"	1
5	0103-01217	ASSY, KNUCKLE - LH 12 INCH	1

*Not Sold Separately