

MADE IN THE U.S.A.

MADE IN THE U.S.A.



BALE BLIND

SPORTSMAN BALE BLIND ASSEMBLY INSTRUCTIONS

READ THESE INSTRUCTIONS IN ENTIRETY PRIOR TO ASSEMBLING THIS PRODUCT

WARNING! The safe use and operation of this product is the sole responsibility of the user. It is also the sole responsibility of the owner to provide any person(s) who borrow or purchase this product with this instruction manual. Additionally, failure to follow these instructions may subject you to personal liability penalties as determined by the U.S. Judicial system.

WARNING! Do not remove, modify and/or omit any portion or otherwise mechanically modify this product(s) or its assemblies in any manner. Modification, misuse and/or part substitution shall immediately void your factory warranty. If you suspect that a part(s) is missing and/or defective, immediately discontinue all use of the product and contact Redneck Manufacturing at 877-523-9986 for replacement of missing or defective parts.

WARNING! Before digging always contact your local One-Call system to prevent personal injury, Interruption of services, environmental accidents or job delays. Electric lines can shock or electrocute. Gas lines can rupture causing explosion or fire. Laser light in fiber optic cable can cause blindness. One-Call will notify participating utility companies of your proposed project. If you do not know the number for the local One-Call, call the National One-Call at 1-888-258-0808 for this information.

NOTE: Assembling this product does not require more than one individual, but some steps in the assembly process may be easier achieved with assistance. For this reason, we recommend assembling this product with the aid of an additional person, so assistance can be provided when needed.

NOTE: Some parts of this product are manufactured to be universal in use, so there may be some parts containing holes that will not be used in the assembly of this particular model. To minimize confusion in the assembly process, please read these instructions in entirety before beginning.

NOTE: When transporting your assembled Redneck Bale Blind, we recommend first removing the hay blankets and silent slide window coverings from the completely assembled frame. This will help prevent unnecessary wear and tear to your bale blind blanket.

Should you have any questions about the assembly, installation or use of this product, or any other Redneck Outdoor product, please call one of our customer service representatives toll free at 877-523-9986.

STEP 1: Remove all parts from the packaging and familiarize yourself with all the parts and tools required. Find the bill of materials on pages 14-16 and verify that all parts and hardware are present.

STEP 2: Locate the (2) END FRAME BOTTOM HOOPS "M" and (2) SIDE BRACES "E". Using the hardware connection in (4) places, align and fasten the whole ends of the (2) SIDE BRACES "E" with the corresponding wholes in the (2) END FRAME BOTTOM HOOPS "M", as illustrated in Figure 10.1, fastening with the hardware (4) 1.5" Bolts and (4) Nuts.

NOTE: Make sure the (6) Set Screws already installed in the (2) END FRAME BOTTOM HOOPS "M" are facing towards the interior of the blind, as illustrated in Figure 10.1 & 10.2. The (4) Set Screws in the (2) SIDE BRACES "E" need to be facing up, as illustrated in Figure 10.1.

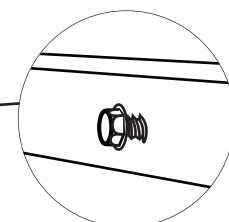
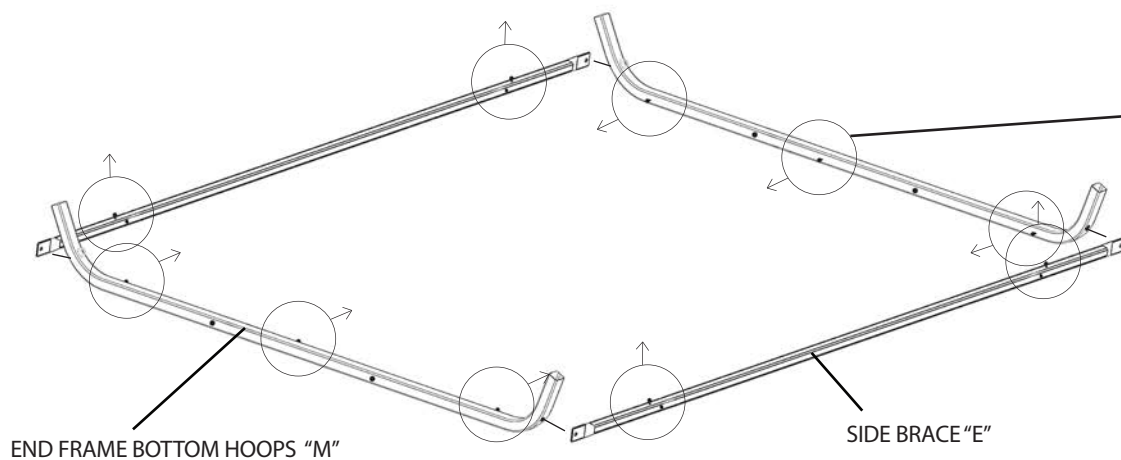


Figure 10.2

All Set Screws on the (2) END FRAME BOTTOM HOOPS "M" are to be assembled so as they face towards the interior of the bale blind

Figure 10.1

STEP 3: Locate the (5) parts that will be assembled to create the first section of the bale blind frame. These parts are (2) END FRAME LOWER SIDE HOOPS "K", (1) LOWER WINDOW BRACE "C", and (2) CROSS MEMBER BRACES "G". Using the hardware connection in (2) places, align and fasten the hole ends in the LOWER WINDOW BRACE "C" with the upper most holes in the (2) END FRAME LOWER SIDE HOOPS "K", and fasten with (2) Bolts and (2) Nuts. Next align the hole ends of the (2) CROSS MEMBER BRACES "G" with the corresponding holes in the LOWER WINDOW BRACE "C" as well as the lower holes in the END FRAME LOWER SIDE HOOPS "K", and fasten with (4) Bolts and (4) Nuts, as illustrated in Figure 11.1.

NOTE: On the LOWER WINDOW BRACE "C", make sure (2) Set Screws already installed are facing towards what would be the interior of the blind, while the other (2) Set Screws already installed are facing upwards, as illustrated in Figure 11.1.

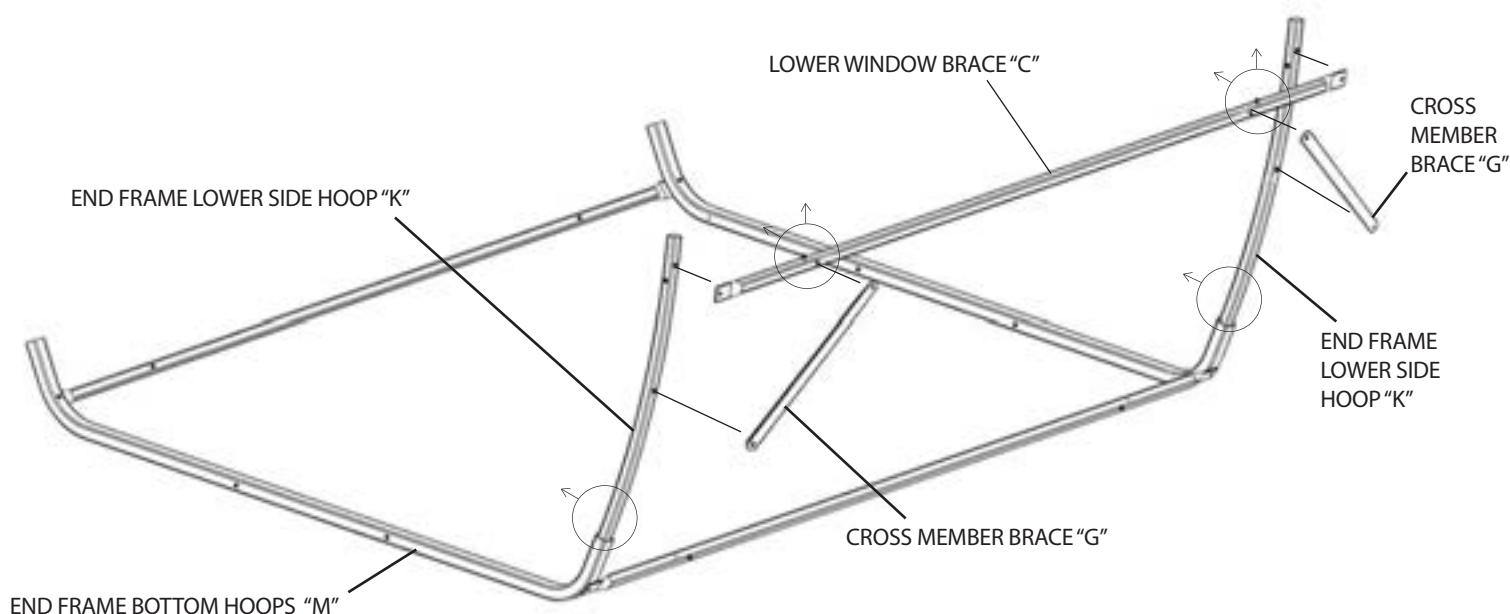


Figure 11.1

STEP 4: Install Section 1 that was created in Step 3, into the base that was created in Step 2, resulting in the frame illustrated in Figure 12.1.

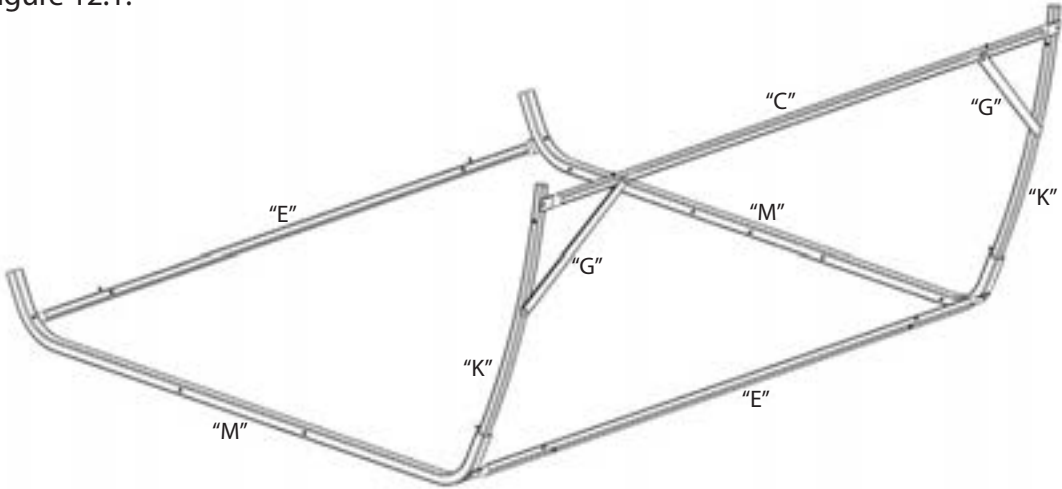


Figure 12.1

STEP 5: Locate the (5) parts that will be assembled to create the second section of the bale blind frame. These parts are (1) END FRAME UPPER SIDE HOOP WITH MAGNET "I", (1) END FRAME UPPER SIDE HOOP "J", (1) SIDE BRACE "E", and (2) CROSS MEMBER BRACES "G". Using the hardware connection in (2) places, align and fasten the hole ends in the SIDE BRACE "E" with the middle hole in the END FRAME UPPER SIDE HOOP WITH MAGNET "I" and the middle hole in the END FRAME UPPER SIDE HOOP "J", fastening with (2) Bolts and (2) Nuts. Next align the hole ends of the (2) CROSS MEMBER BRACES "G" with the corresponding holes in the SIDE BRACE "E" as well as the upper most holes in the END FRAME UPPER SIDE HOOP WITH MAGNET "I" and the END FRAME UPPER SIDE HOOP "J", and fastening with (4) Bolts and (4) Nuts, as illustrated in Figure 13.1.

NOTE: On the END FRAME UPPER SIDE HOOP WITH MAGNET "I", make sure the magnets are facing towards what would be the exterior of the bale blind, as illustrated in Figure 13.1. On the SIDE BRACE "E", make sure the (2) Set Screws already installed are facing upwards, as illustrated in Figure 13.1.

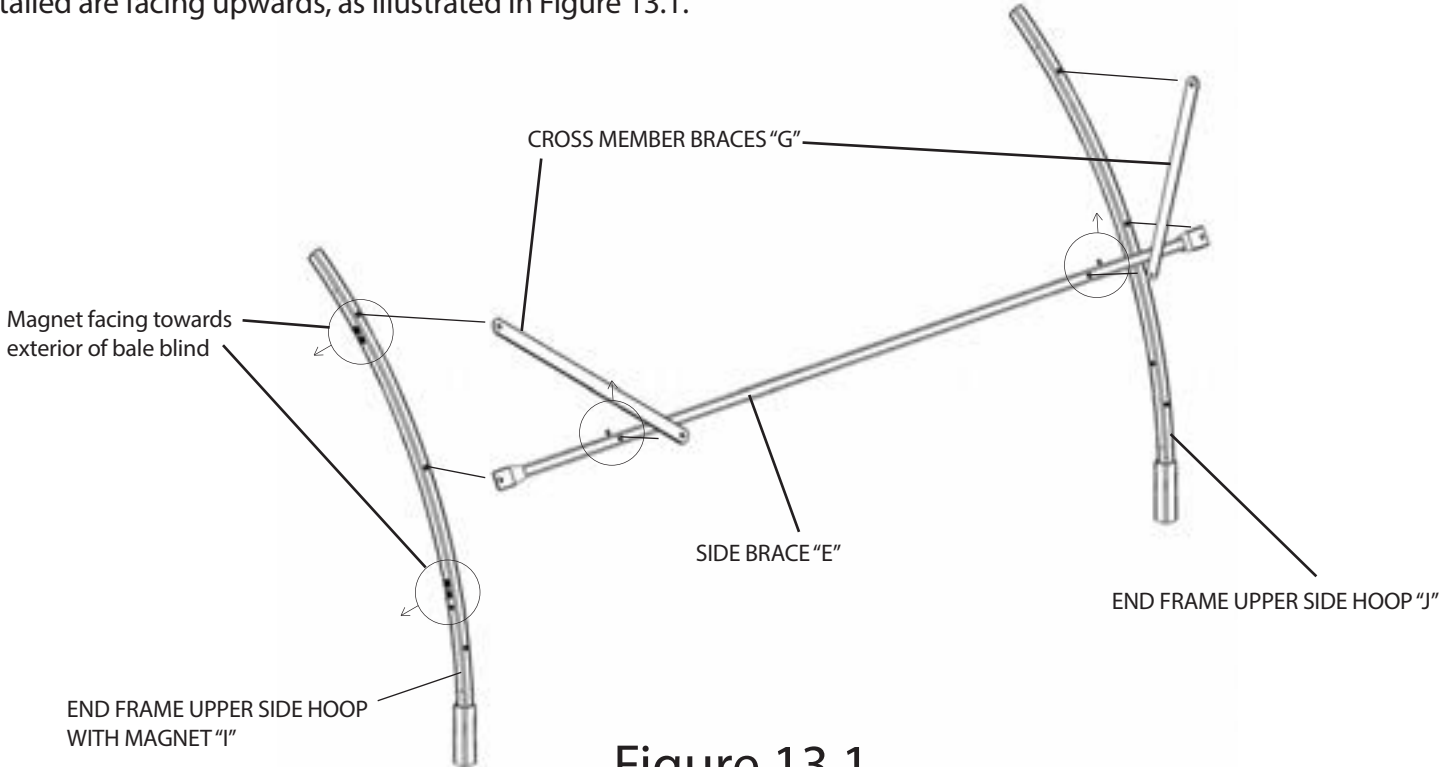


Figure 13.1

STEP 6: Install Section 2 that was created in Step 5, into Section 1 that was created in Step 3, resulting in the frame illustrated in Figure 14.1.

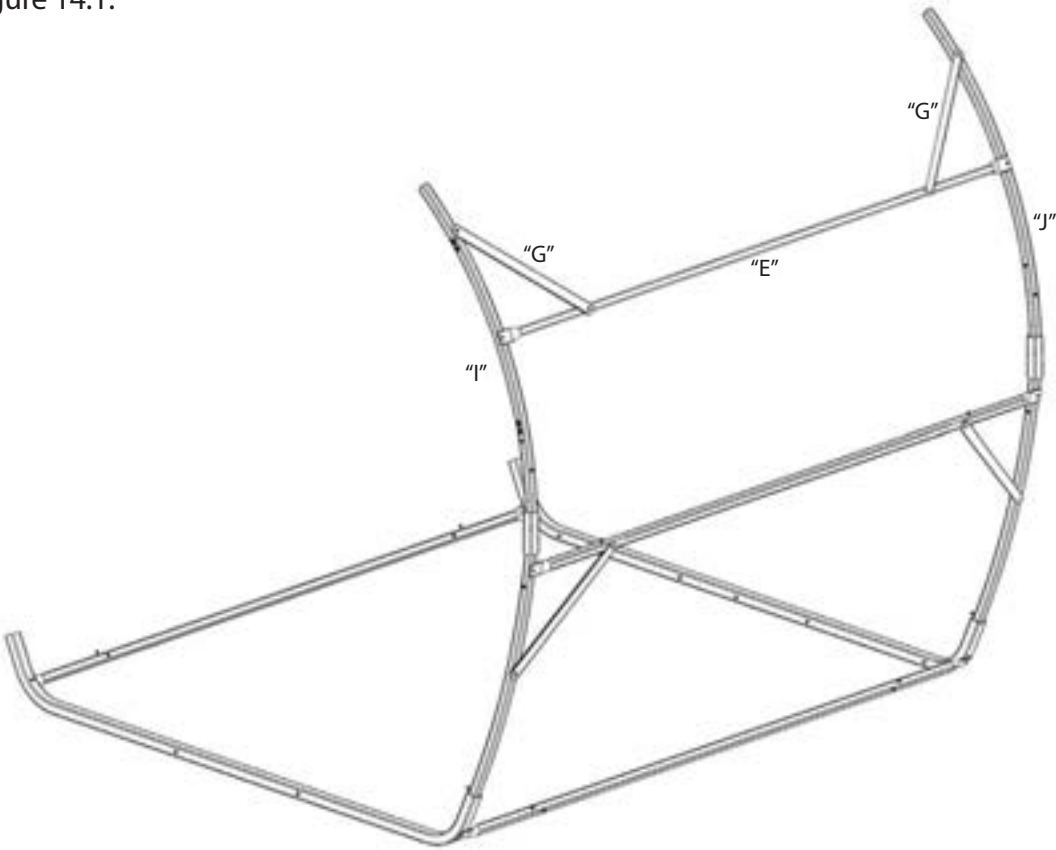


Figure 14.1

STEP 7: Locate the (5) parts that will be assembled to create the third section of the bale blind frame. These parts are the (2) END FRAME TOP HOOPS "H" and (3) SIDE BRACES "E". Using the hardware connection in (6) places, align and fasten the hole ends of the (3) SIDE BRACES "E" with the corresponding holes in the (2) END FRAME TOP HOOPS "H", and fasten with (6) Bolts and (6) Nuts, as illustrated in Figure 15.1.

NOTE: On the (2) END FRAME TOP HOOPS "H", make sure to use the middle hole and the two outer most holes during installation on this step, as illustrated in Figure 15.1. The (2) SIDE BRACES "E" to be installed on the outer most holes of the (2) END FRAME TOP HOOPS "H", will have their (4) Set Screws facing upwards, as illustrated in Figure 15.1. The remaining SIDE BRACE "E" to be installed in the middle corresponding hole can be installed with it's (2) Set Screws facing in either direction. Again, for the middle SIDE BRACE "E" it does not matter which way the (2) Set Screws are facing.

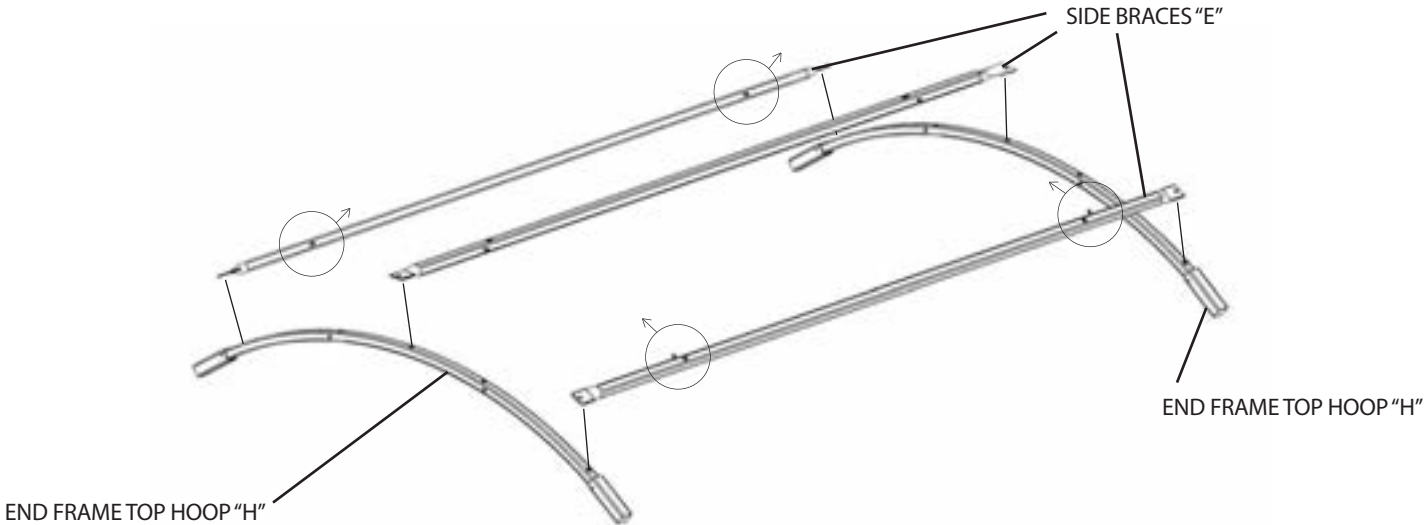


Figure 15.1

STEP 8: Install Section 3 that was created in Step 7, into Section 2 that was created in Step 5, resulting in the frame illustrated in Figure 16.1.

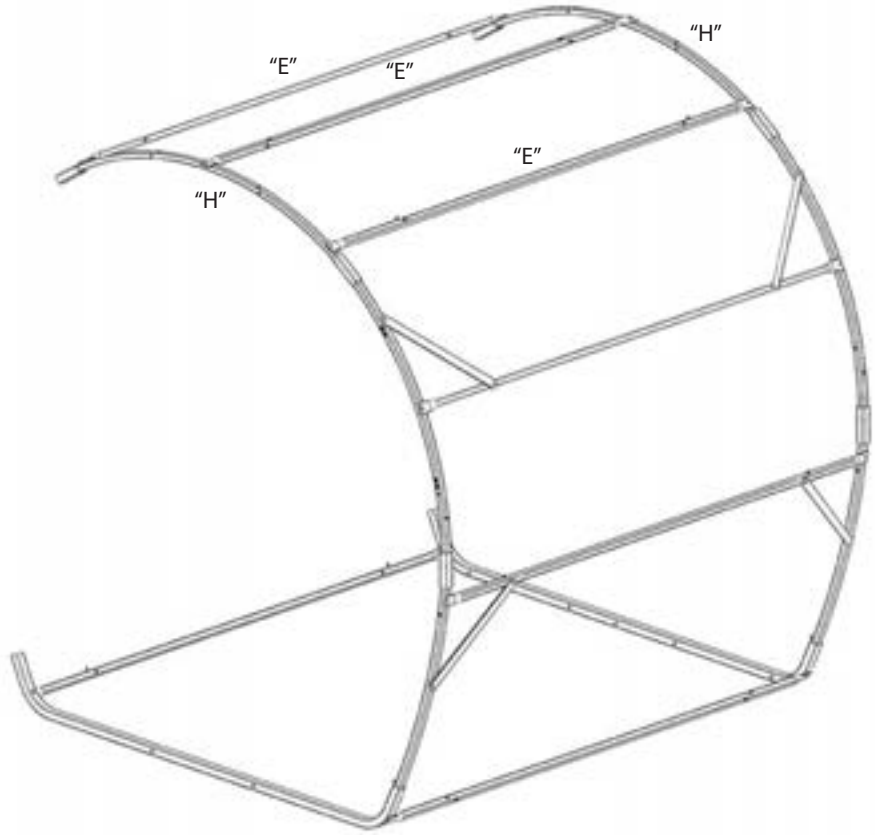


Figure 16.1

STEP 9: Locate the (5) parts that will be assembled to create the fourth section of the bale blind frame. These parts are (2) END FRAME UPPER SIDE HOOPS "J", (1) SIDE BRACE "E", and (2) CROSS MEMBER BRACES "G". Using the hardware connection in (2) places, align and fasten the hole ends in the SIDE BRACE "E" with the middle holes in the (2) END FRAME UPPER SIDE HOOPS "J", fastening with (2) Bolts and (2) Nuts. Next align the hole ends of the (2) CROSS MEMBER BRACES "G" with the corresponding holes in the SIDE BRACE "E" as well as the upper most holes in the (2) END FRAME UPPER SIDE HOOPS "J", and fasten with (4) Bolts and (4) Nuts, as illustrated in Figure 17.1.

NOTE: Step 9 assembly is similar to Step 5. On the SIDE BRACE "E", make sure the (2) Set Screws already installed are facing upwards, as illustrated in Figure 17.1.

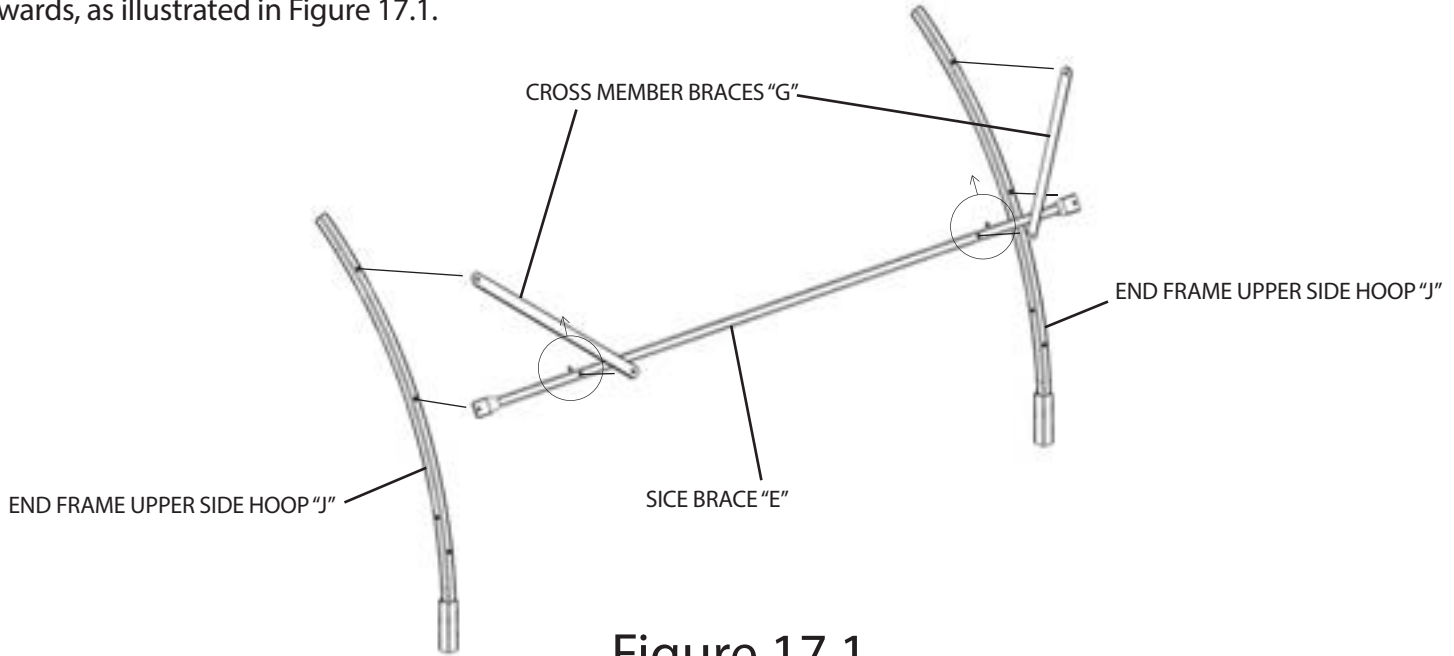


Figure 17.1

STEP 10: Locate the (5) parts that will be assembled to create the fifth section of the bale blind frame. These parts are (2) END FRAME LOWER SIDE HOOPS "K", (1) LOWER WINDOW BRACE "C", and (2) CROSS MEMBER BRACES "G". Using the hardware connection in (2) places, align and fasten the hole ends in the LOWER WINDOW BRACE "C" with the upper most holes in the (2) END FRAME LOWER SIDE HOOPS "K", and fasten with (2) Bolts and (2) Nuts. Next align the hole ends of the (2) CROSS MEMBER BRACES "G" with the corresponding holes in the LOWER WINDOW BRACE "C" as well as the lower holes in the END FRAME LOWER SIDE HOOPS "K", and fasten with (4) Bolts and (4) Nuts, as illustrated in Figure 18.1.

NOTE: Step 10 assembly is similar to Step 3. On the LOWER WINDOW BRACE "C", make sure (2) Set Screws already installed are facing towards what would be the interior of the blind, while the other (2) Set Screws already installed are facing upwards, as illustrated in Figure 18.1.

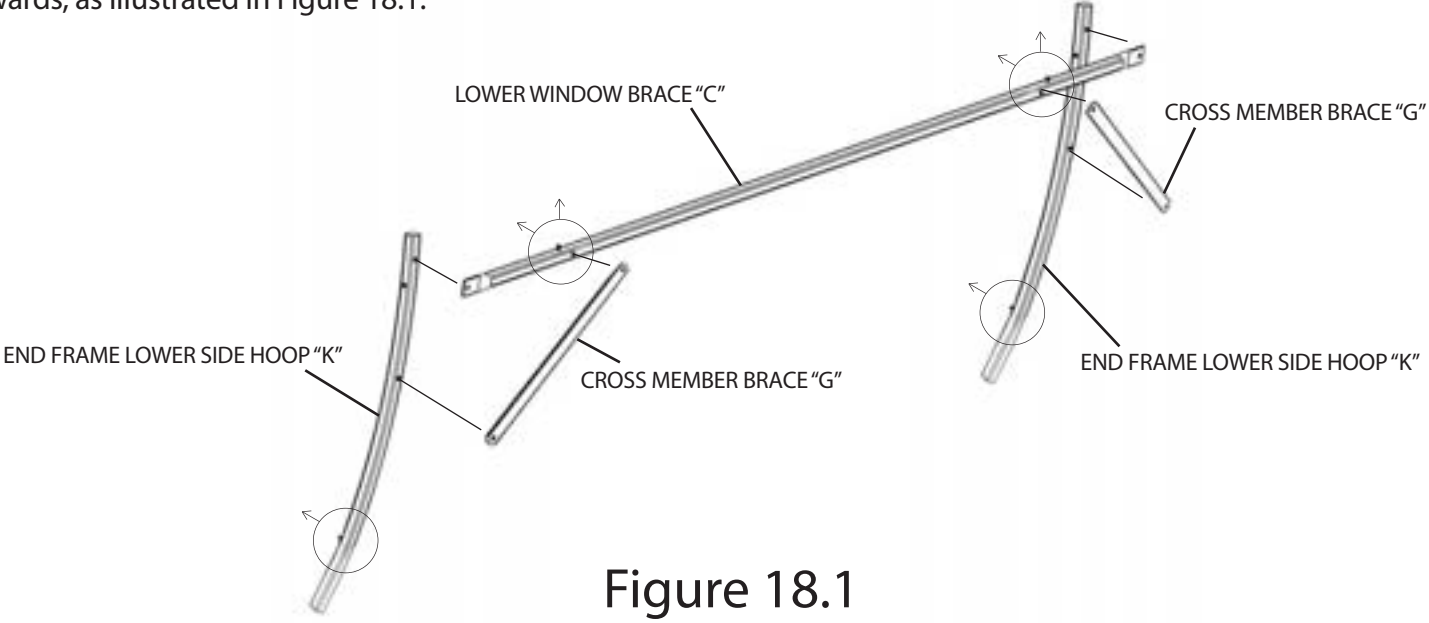


Figure 18.1

STEP 11: Install Section 4 that was created in Step 9, with Section 5 that was just created in Step 10, resulting in the frame section illustrated in Figure 19.1.

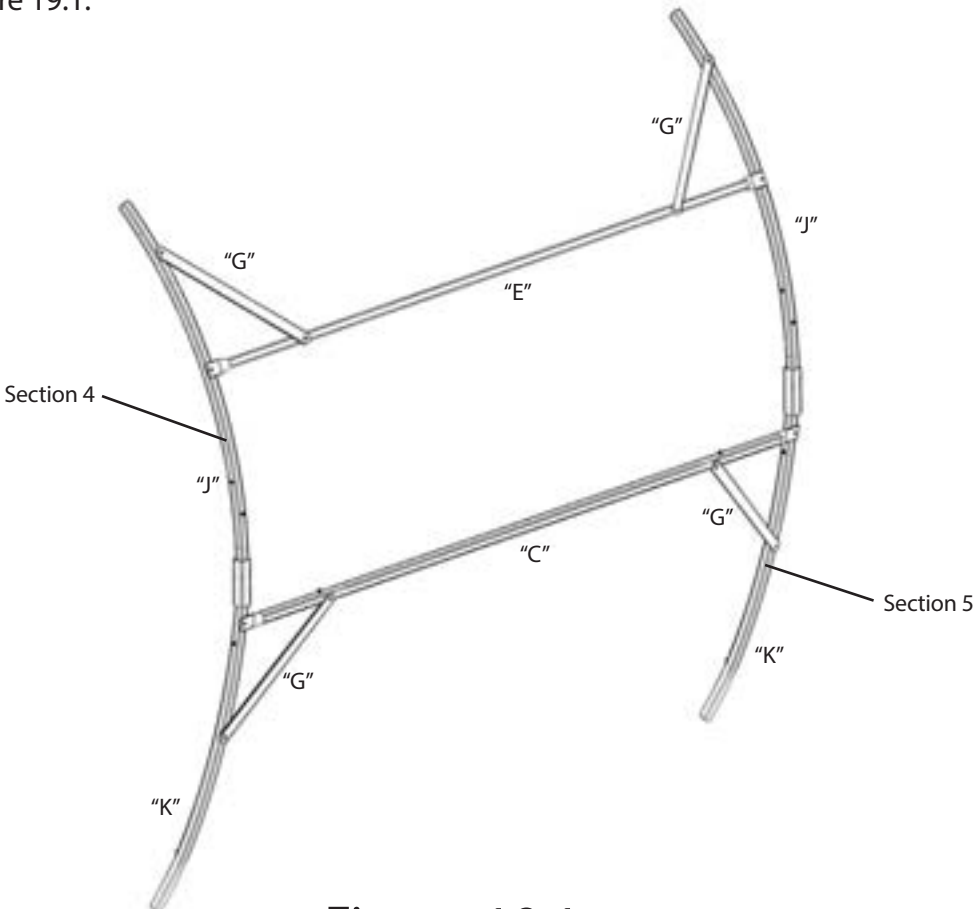


Figure 19.1

STEP 12: Install the top of Section 4 that was created in Step 9 into Section 3 that was created in Step 7 and install the bottom of Section 5 that was created in Step 11 into the frame base that was created in Step 2, resulting in the frame illustrated in Figure 20.1.

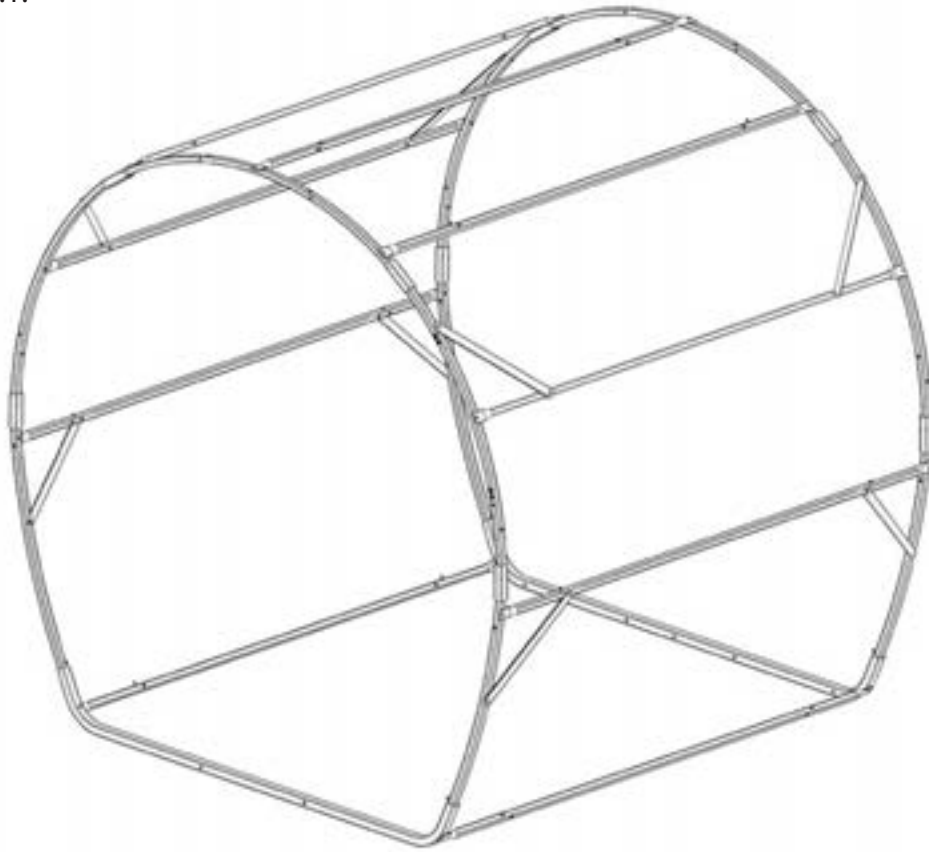


Figure 20.1

STEP 13: Locate the (2) END FRAME VERTICAL BRACES “B” and the (2) END FRAME VERTICAL BRACE EXTENSIONS “BB”. Slide the END FRAME VERTICAL BRACES “B” into the corresponding opening in the END FRAME VERTICAL BRACE EXTENSIONS “BB” as illustrated in Figure 21.1, and fasten with the hardware (1) 1.25” Bolt and (1) Nut. This will create part COMPLETED VERTICAL BRACE , as it will be referred to in the remainder of the assembly manual.

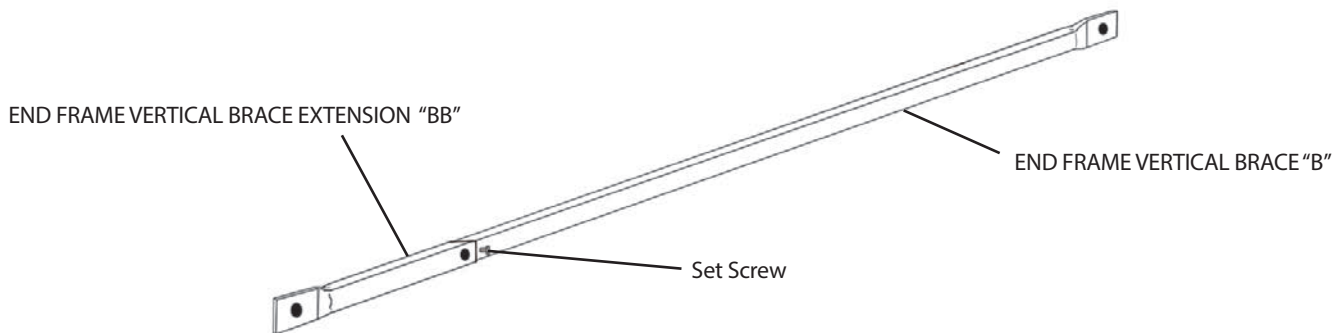


Figure 21.1

This part will be referred to as **COMPLETED VERTICAL BRACE** in remainder of assembly instructions.

STEP 14: Locate the (2) parts that will be assembled to create the support system for the door side end hoop, the side with the Magnet in it’s configuration. These parts are (1) COMPLETED VERTICAL BRACE and (1) END FRAME CROSS BRACE “F”. In this step you will also use the (1) Wing Nut and (1) 2” Bolt. All parts installed on this step are to be assembled on the outside of the existing frame, and the END FRAME CROSS BRACE “F” will share a hardware connection location with the COMPLETED VERTICAL BRACE , where they join at the END FRAME BOTTOM HOOP “M”, connecting at this location with the (1) Wing Nut and (1) 2” Bolt. Make sure the COMPLETED VERTICAL BRACE is installed in such a way, that when viewed from the exterior of the blind, it is located on the right-hand side of the hoop, with it’s (1) Set Screw facing towards the interior of the blind.

Begin by starting at the bottom of the frame. Align and fasten the hole ends of the COMPLETED VERTICAL BRACE and the END FRAME CROSS BRACE "F" where they share a hardware connection at the END FRAME BOTTOM HOOP "M", and fasten with the (1) Wing Nut and (1) 2" Bolt, as illustrated in Figure 22.1 & 22.2. Next align and fasten the top part of the COMPLETED VERTICAL BRACE to the right-hand side corresponding hole in the END FRAME TOP HOOP "H", fastening with (1) 1.5" Bolt and (1) Nut. Then align and fasten the END FRAME CROSS BRACE "F" to the corresponding hole in the END FRAME LOWER SIDE HOOP "K", fastening with (1) Bolt and (1) Nut, as illustrated in Figure 22.1.

NOTE: Assembly in this step is easier achieved by starting at the bottom of the frame and working your way up.

NOTE: All parts installed on this step are to be assembled on the outside of the existing frame, and the END FRAME CROSS BRACE "F" will share a hardware connection location with the COMPLETED VERTICAL BRACE, where they join at the END FRAME BOTTOM HOOP "M", connecting at this location with the (1) Wing Nut and (1) 2" Bolt, as illustrated in Figure 22.1 & 22.2.

NOTE: Make sure the COMPLETED VERTICAL BRACE is installed in such a way, that when viewed from the exterior of the blind, it is located on the right-hand side of the hoop, with it's (1) Set Screw facing towards the interior of the blind.

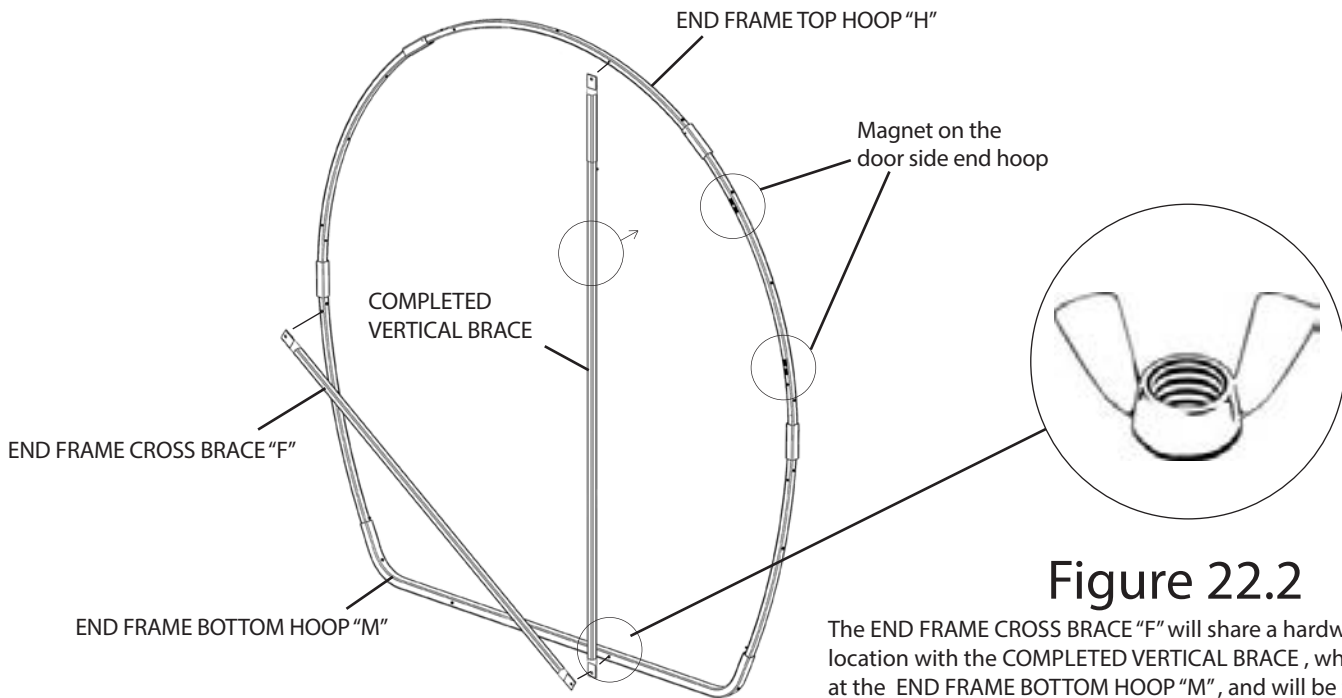


Figure 22.1

Figure 22.2

The END FRAME CROSS BRACE "F" will share a hardware connection location with the COMPLETED VERTICAL BRACE, where they join at the END FRAME BOTTOM HOOP "M", and will be fastened with the hardware connection (1)Wing Nut and (1) 2" Bolt. The hardware connection is configured this way to allow wheelchair access on the door side end hoop.

STEP 15: Repeat Step 14 to create the support system for the opposing end hoop, with the exception that there will not be a Wing Nut used in this step, only (3) Nuts, resulting in the frame illustrated in Figure 23.1.

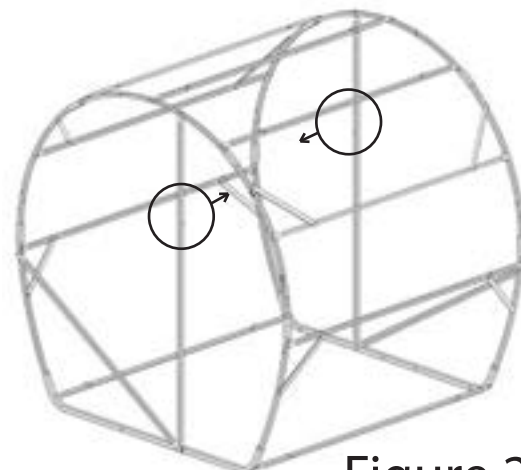


Figure 23.1

STEP 16: Locate the (3) TOP CROSS BRACES "L". Begin by unfolding the (3) TOP CROSS BRACES "L" and locking them in their extended position, as illustrated in Figure 24.1.

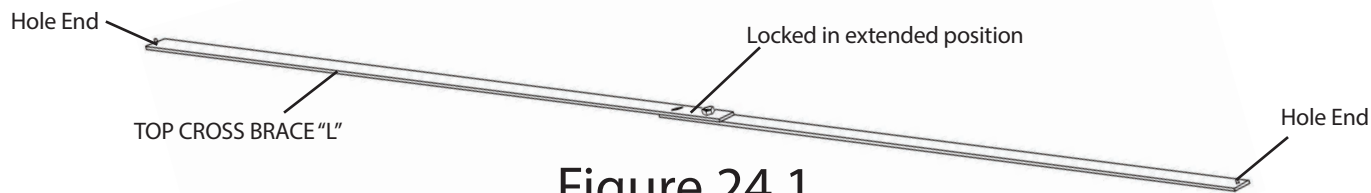


Figure 24.1

STEP 17: The (3) TOP CROSS BRACES "L" will be installed along the top part of your bale blind frame, on the outside of the (3) SIDE BRACES "E" in Section 3 of the frame, with their hole end resting under the (2) SIDE BRACES "E" in Sections 2 & 4, resulting in the frame illustrated in Figure 25.1. Fasten the (3) TOP CROSS BRACES "L" with (6) Zip-Ties to the (2) SIDE BRACES "E" in Sections 2 & 4.

NOTE: If performing this step without assistance, assembly is easier achieved by standing inside the interior of the blind, and bending the (3) TOP CROSS BRACES "L" down over the (3) SIDE BRACES "E" in Section 3, then sliding each hole end under the (2) SIDE BRACES "E" in Sections 2 & 4.

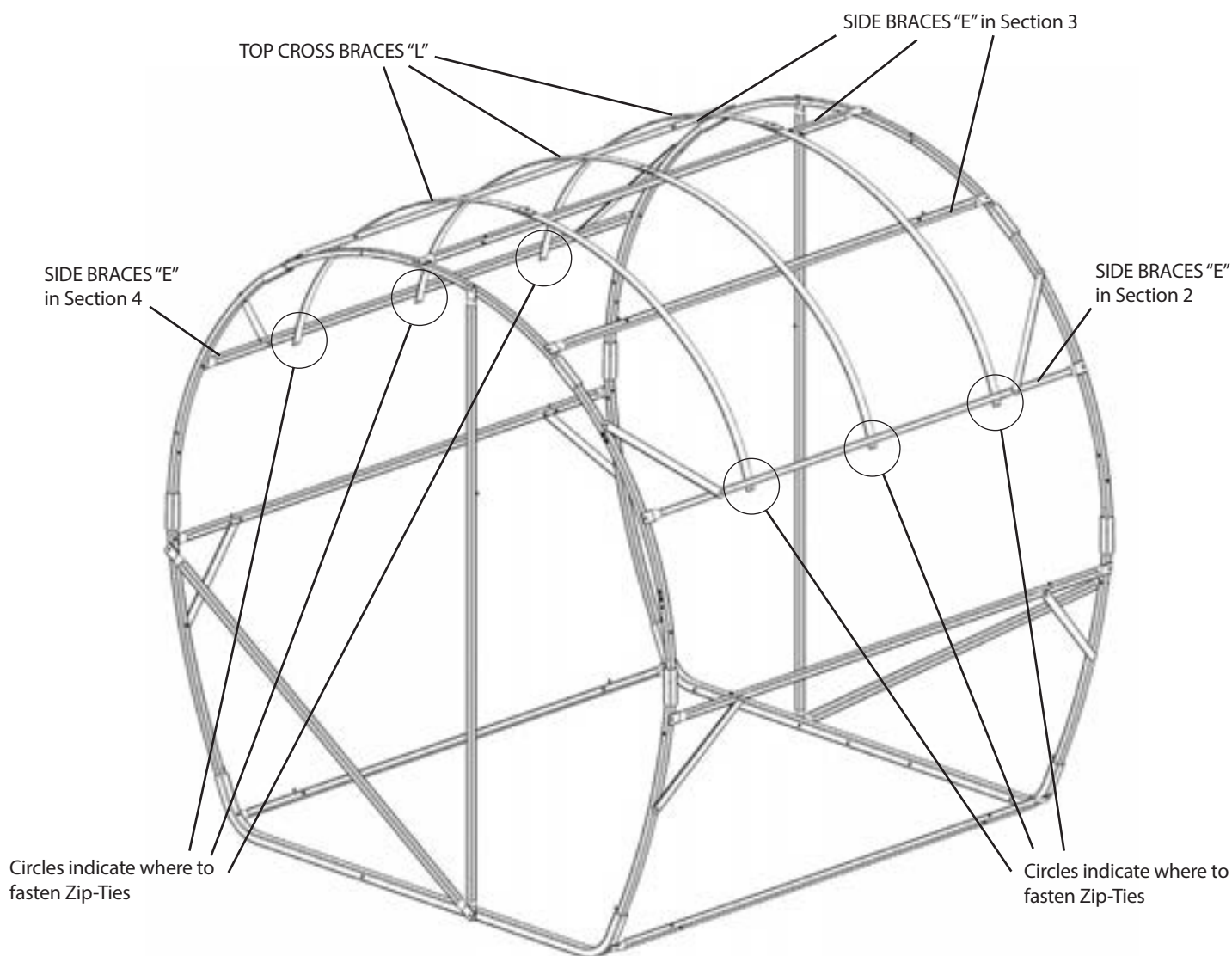


Figure 25.1

STEP 18: Locate the (4) TOP BLANKET SUPPORTS "Z". Using (20) Zip-Ties, align and fasten the (4) TOP BLANKET SUPPORTS "Z" along the top of the bale blind frame, attaching each end to the corresponding location along the end hoop frames, resulting in the frame illustrated in Figure 26.1.

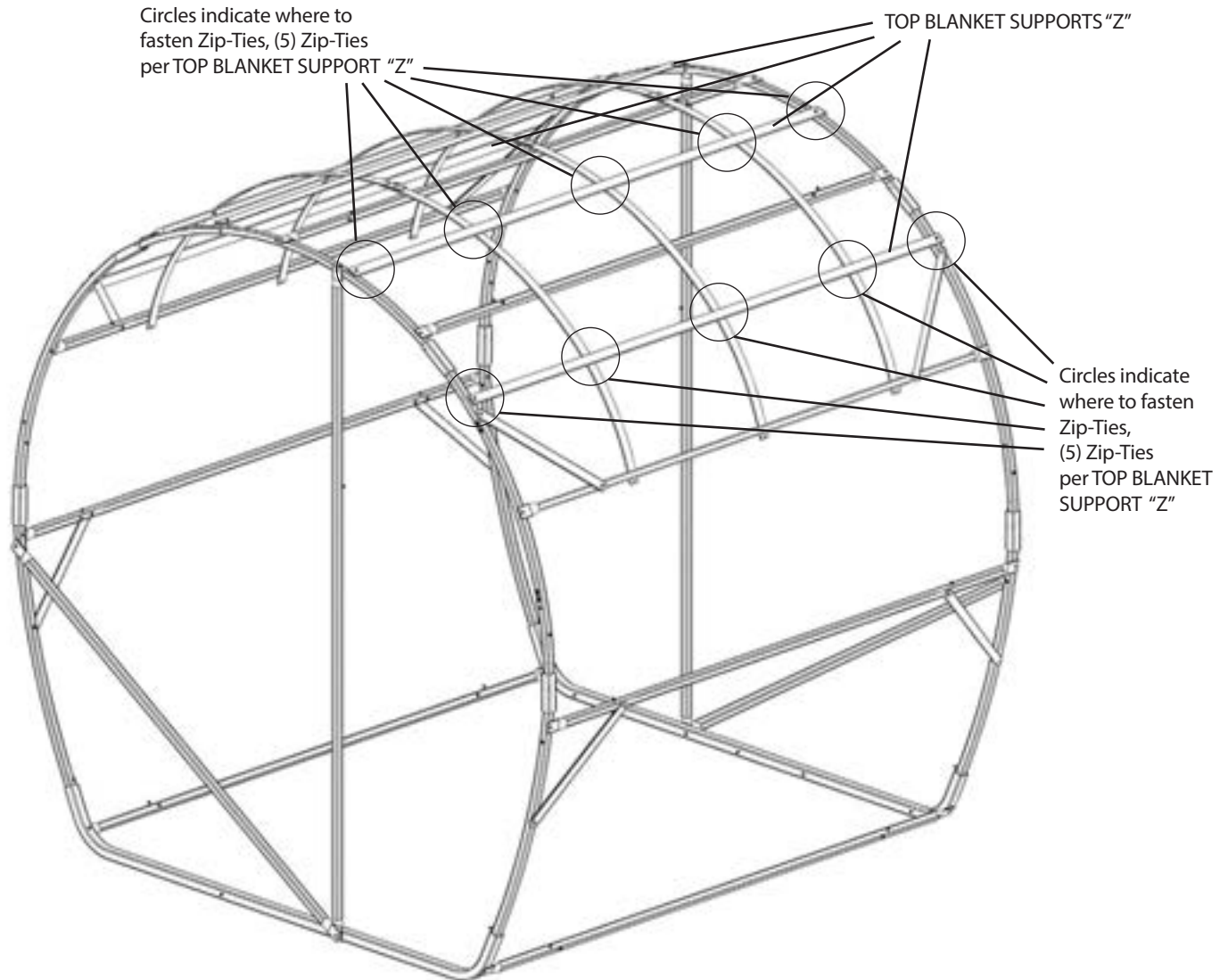


Figure 26.1

STEP 19: Locate the (1) DOOR SIDE END BLANKET WITH MAGNET "N" that will be installed on the door side end hoop, the side of the frame with the Magnet in it's configuration. Installation will begin at the top, and work downward following around the perimeter of the end hoop, initially using the loosest possible setting on the bungee straps. Once the end blanket is in place, the settings on the bungee straps may be tightened to create a taut fit.

Beginning at the top of the DOOR SIDE END BLANKET WITH MAGNET "N" , attach the shorter, top-most bungee strap to the corresponding set screw located on the top-most SIDE BRACE "E" located in Section 3 of the bale blind frame, as illustrated in Figure 27.1. Next attach the longest bungee strap to the corresponding set screw located on COMPLETED VERTICAL BRACE , as illustrated in 27.1. Working downward following around the perimeter of the end hoop, attach each bungee strap to it's corresponding set screw on the bale blind frame, as illustrated in Figure 27.1. Once you have attached each bungee strap in its location, go back through and tighten any bungee strap location that may require more tension.

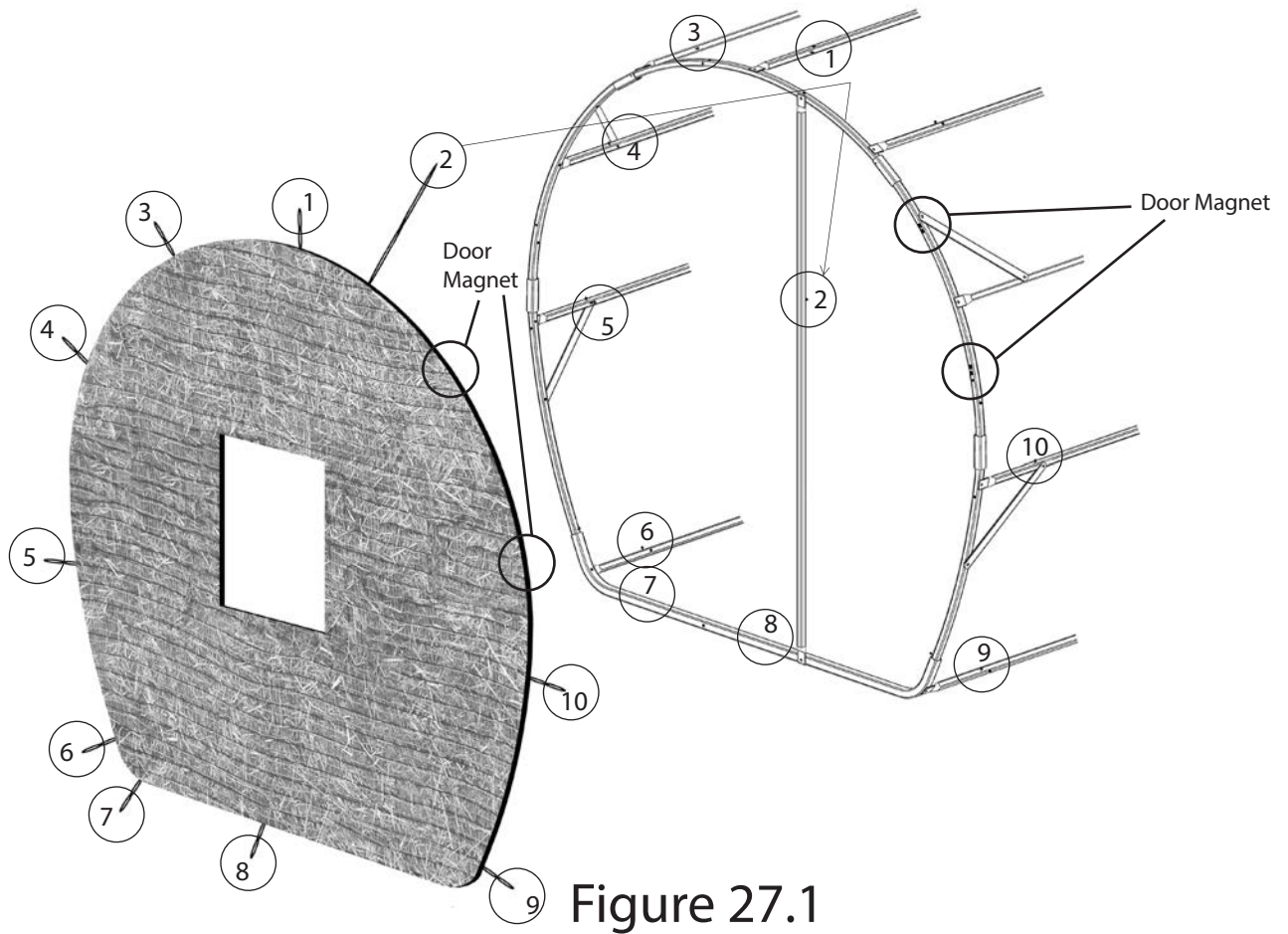


Figure 27.1

STEP 20: Locate the (1) END BLANKET "O" that will be installed on the other end hoop. Repeat Step 19 for the opposing end, attaching each bungee strap to it's corresponding set screw location, starting at the top and working downward following around the perimeter of the end hoop, as illustrated in Figure 28.1.

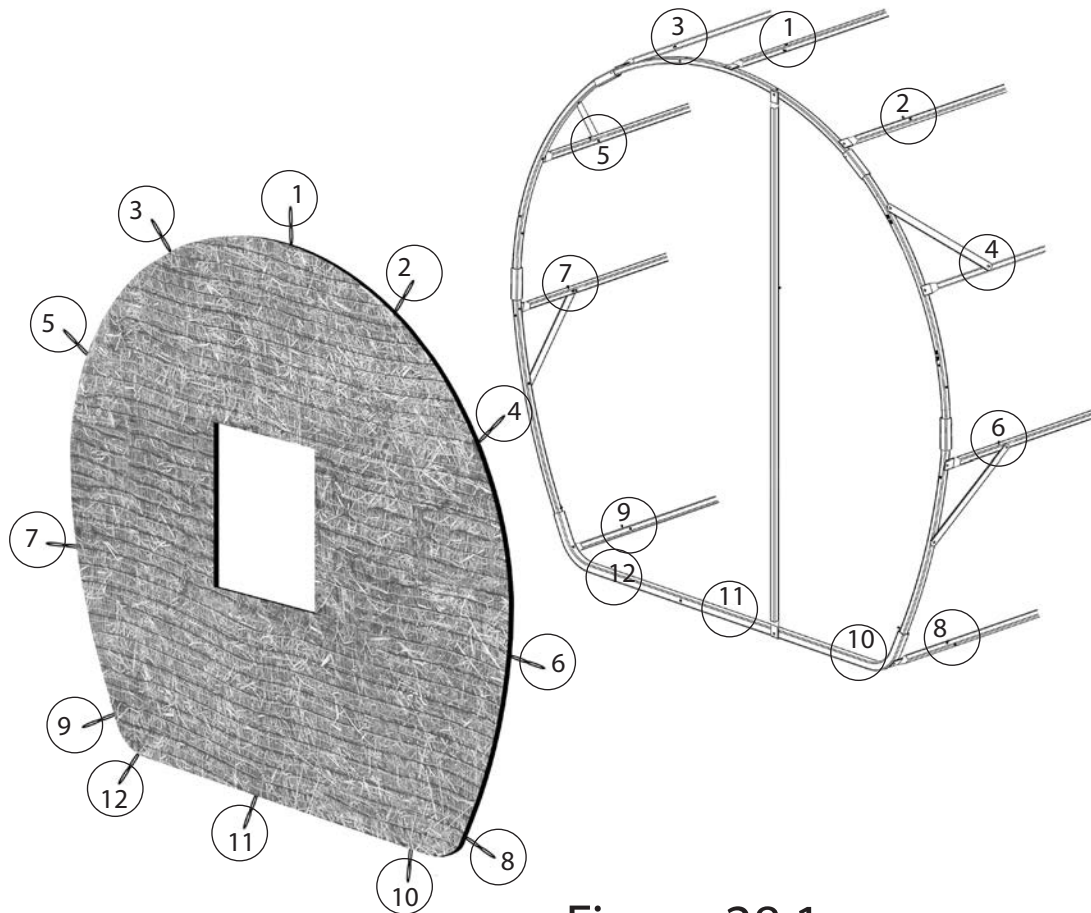


Figure 28.1

You should now have both End Blankets installed, resulting in the frame illustrated in Figure 29.1.

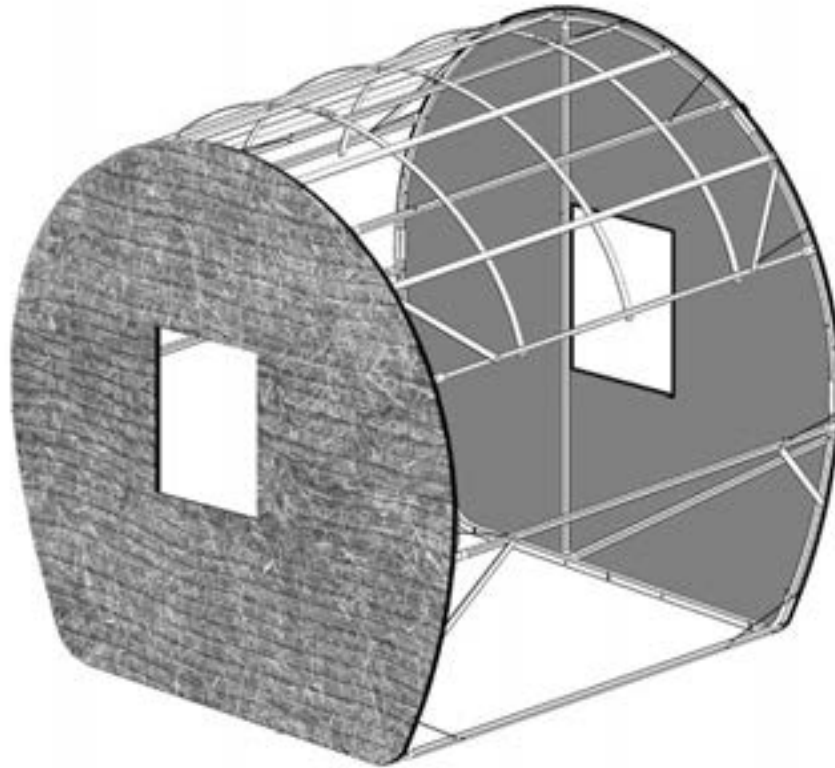


Figure 29.1

STEP 21: Locate the (1) COVER BLANKET "P" that will be installed over the remaining bale blind frame. Keeping the COVER BLANKET "P" rolled-up in it's double curl configuration, place it on top of the bale blind frame at the center-most SIDE BRACE SUPPORT "E", as illustrated in Figure 30.1. Then simply unroll each end, allowing the COVER BLANKET "P" to lay over the frame.

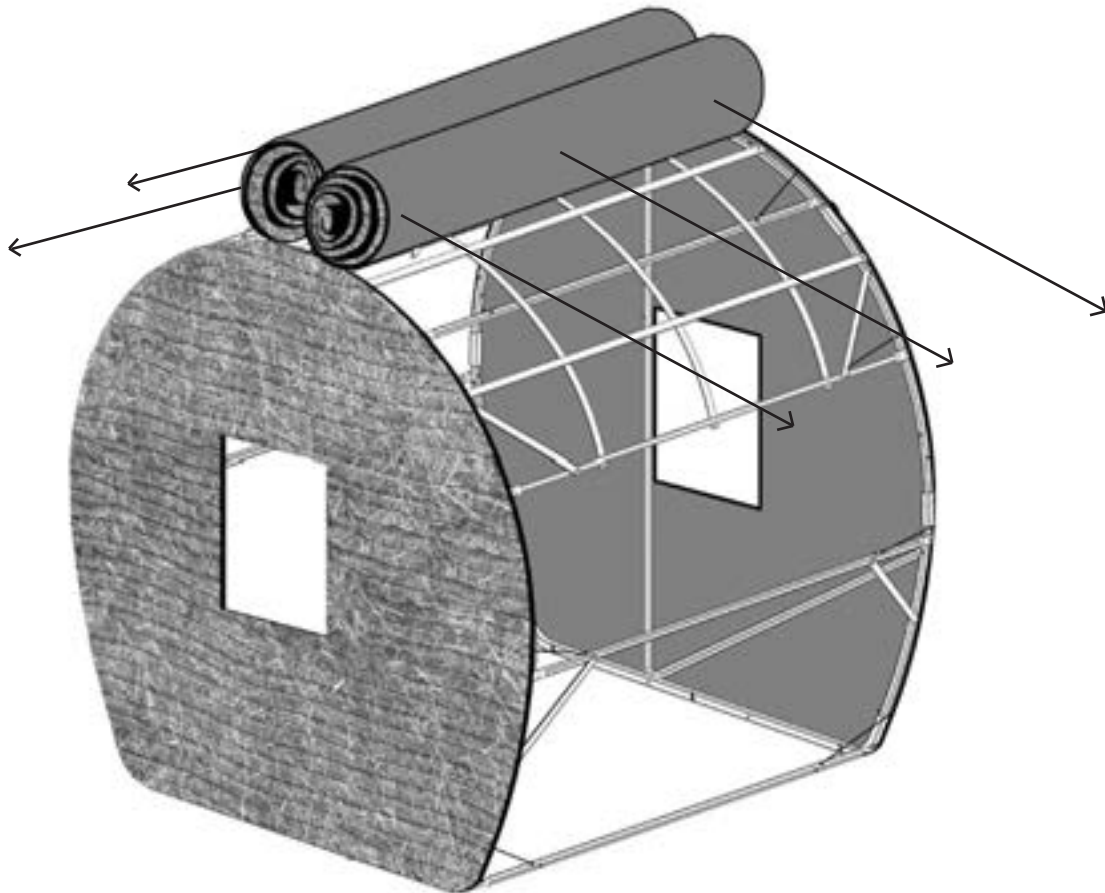


Figure 30.1

NOTE: When installing the COVER BLANKET “P” , make sure the bungee cord loop on the exterior of the COVER BLANKET “P” is on the same side as the door, as illustrated in Figure 30.2. This loop works in conjunction with the clip on the exterior of the DOOR SIDE END BLANKET WITH MAGNET “N” . The clip and loop are used to help keep the door securely closed when bale blind is not in use.

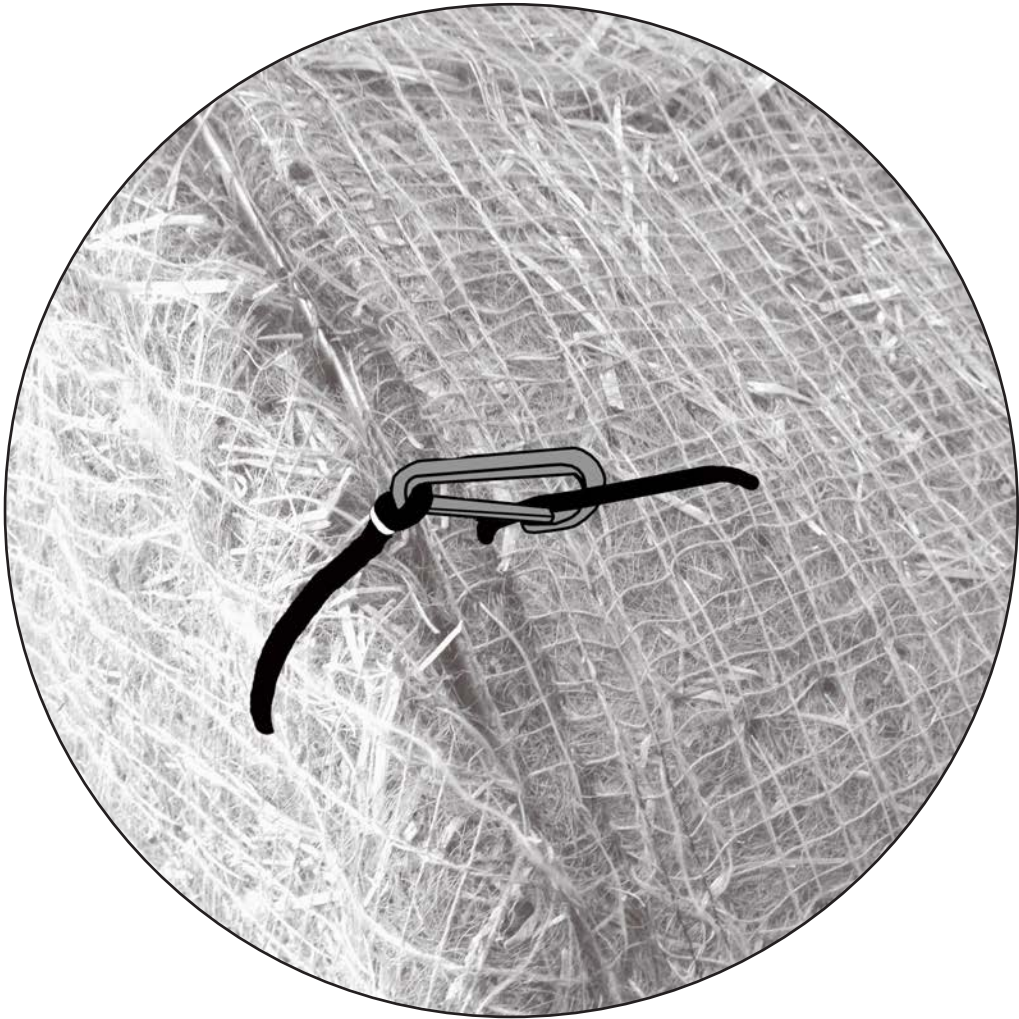


Figure 30.2

STEP 22: With the COVER BLANKET "P" still loosely laying over the bale blind frame, get inside the bale blind frame. The remainder of the assembly process will be performed from the interior of the bale blind.

Locate the (4) bungee straps positioned along the bottom of one end of the COVER BLANKET "P". Attach each bungee strap to it's corresponding set screw located on the bale blind frame, as illustrated in Figure 31.1.

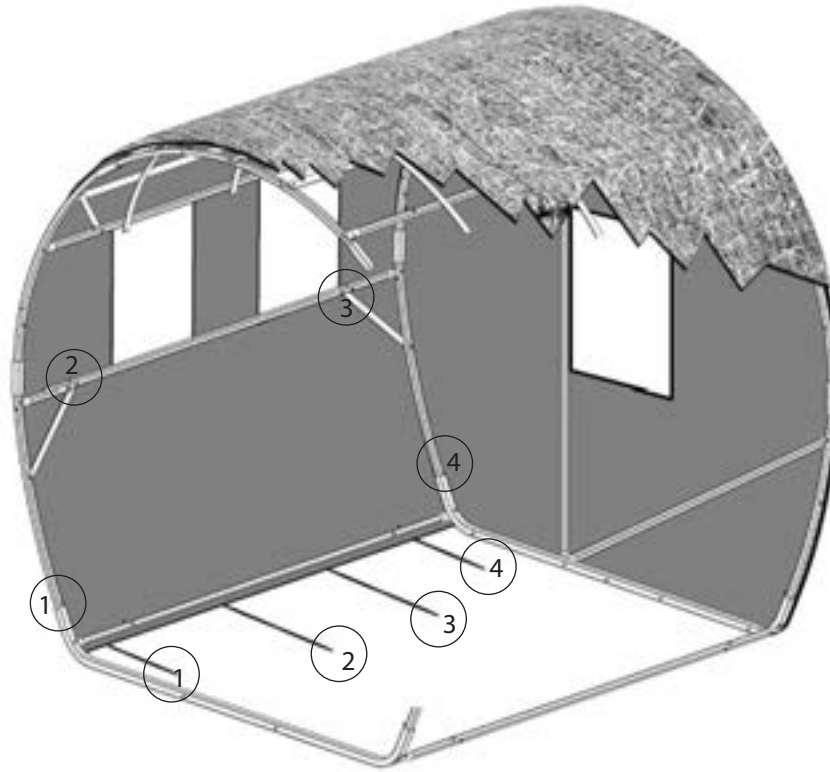


Figure 31.1

STEP 23: Repeat Step 20 for the opposing bottom end of the COVER BLANKET "P". Attach each bungee strap to it's corresponding set screw located on the bale blind frame. The COVER BLANKET "P" should now be completely installed and secured to the bale blind frame.

STEP 24: Locate (2) SILENT SLIDE WINDOW COVERS "Q" to be installed for the shooting window openings located on each end hoop . Starting at the top, attach each clip to the END FRAME TOP HOOP "H", then repeat the process for the bottom clips, attaching to the END FRAME BOTTOM HOOP "M", as illustrated in Figure 32.1. Perform this step for both SILENT SLIDE WINDOW COVERS "Q" to be installed on the end hoops.

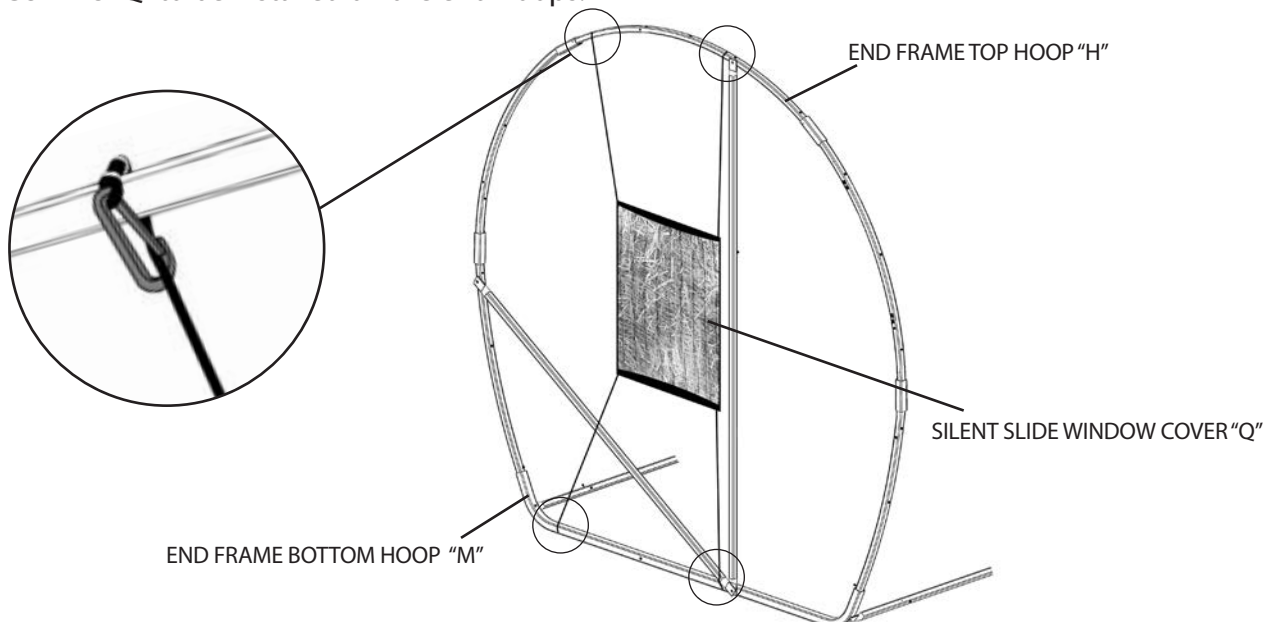


Figure 32.1

STEP 25: Locate the remaining (3) SILENT SLIDE WINDOW COVERS "Q" to be installed for the shooting window openings located on COVER BLANKET "P". Starting at the top, attach each clip to the SIDE BRACE "E", then repeat the process for the bottom clips, attaching to the bottom SIDE BRACE "E" located on the base of the frame, as illustrated in Figure 33.1. Perform this step for the remaining (3) SILENT SLIDE WINDOW COVERS "Q" to be installed for the window openings on the COVER BLANKET "P".

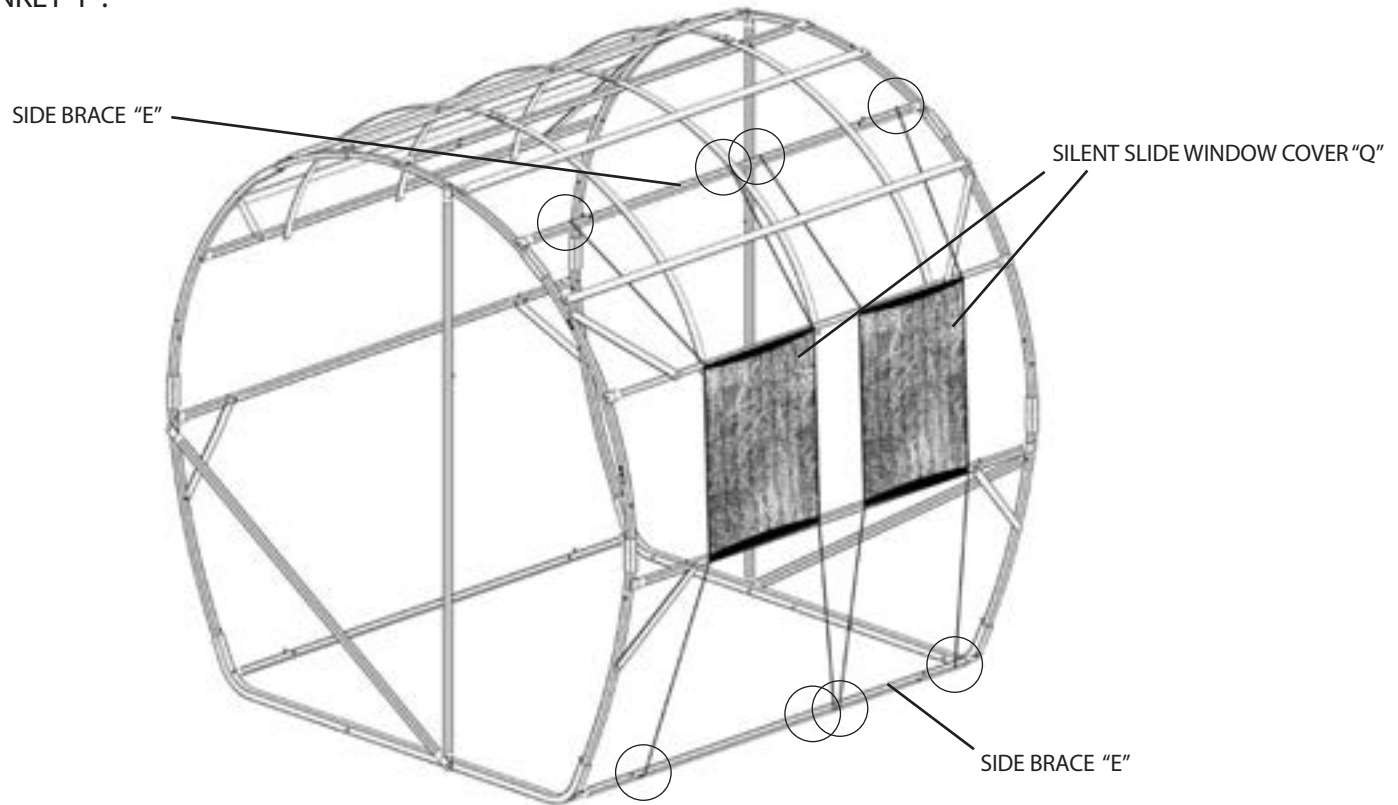


Figure 33.1

Your Redneck Sportsman Bale Blind should now be completely assembled. Should you have any questions about the assembly, installation or use of this product, or any other Redneck Outdoor product, please call one of our customer service representatives toll free at 877-523-9986.

ANCHORING YOUR BLIND TO THE GROUND: Your Redneck Bale Blind comes with (2) Anchor Stakes to secure it to the ground. The (2) Anchor Stakes are to be placed in opposite corners of the interior of the blind, as illustrated in Figure 34.1. For a more permanent and secure means of anchoring your bale blind to the ground, we also suggest using a T-Post (not supplied). Drive the T-post into the ground, and fasten your bale blind to the T-Post by tying it to the COMPLETED VERTICAL BRACE, opposite the door side hoop, as illustrated in Figure 34.1

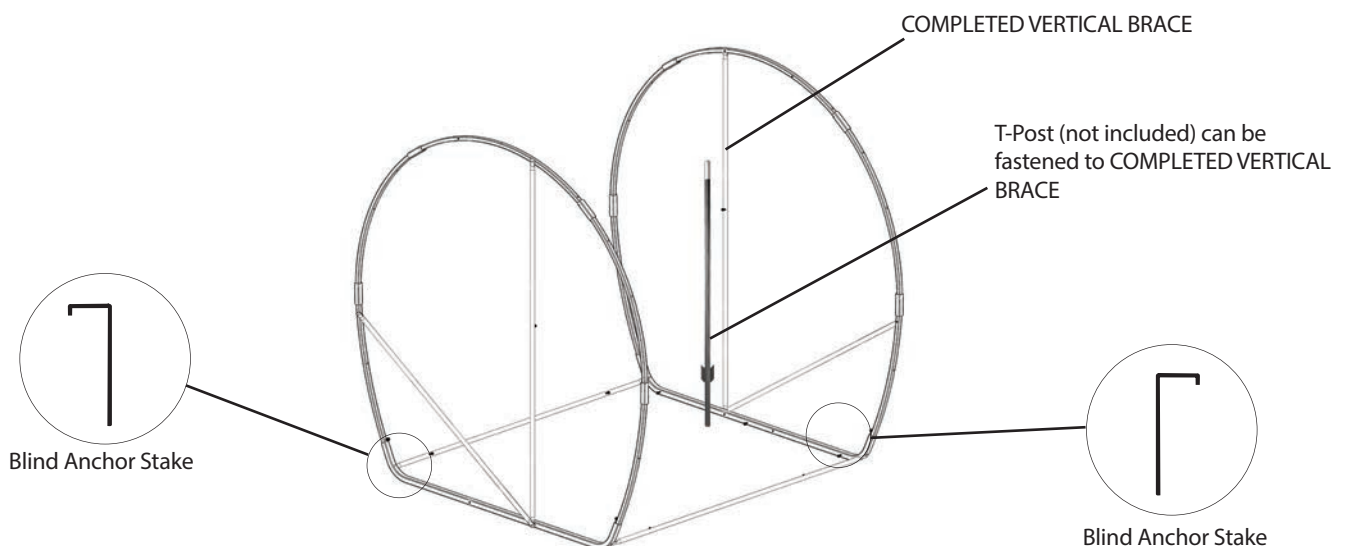
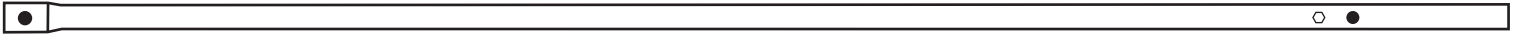


Figure 34.1

BILL OF MATERIALS

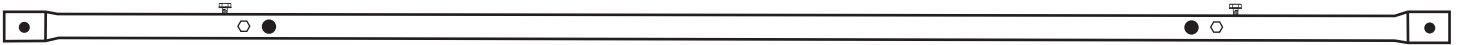
PARTS LIST



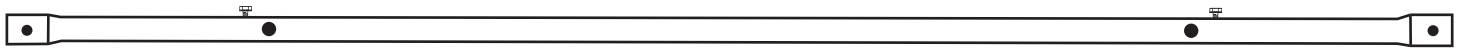
"B" END FRAME VERTICAL BRACE (2) - 66" Length



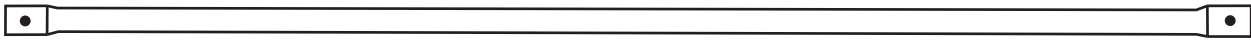
"BB" END FRAME VERTICAL BRACE EXTENSION (2) - 12" Length



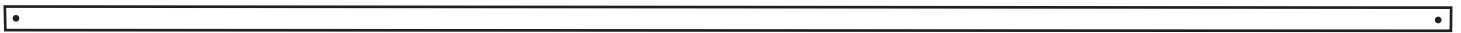
"C" LOWER WINDOW BRACE (2) - 64" Length



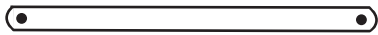
"E" SIDE BRACE (7) - 64" Length



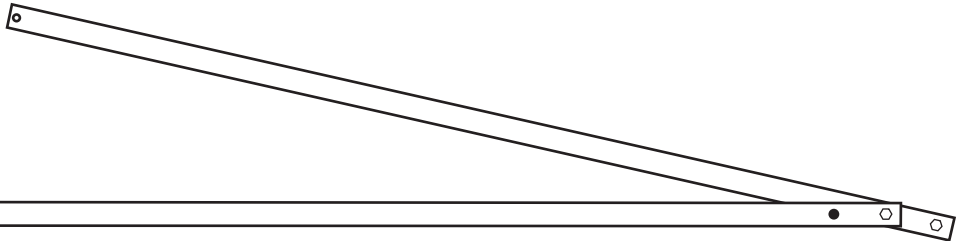
"F" END FRAME CROSS BRACE (2) - 51" Length



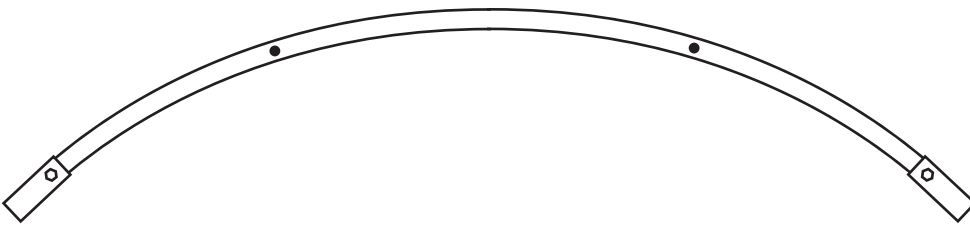
"Z" TOP BLANKET SUPPORT (4) - 64" Length



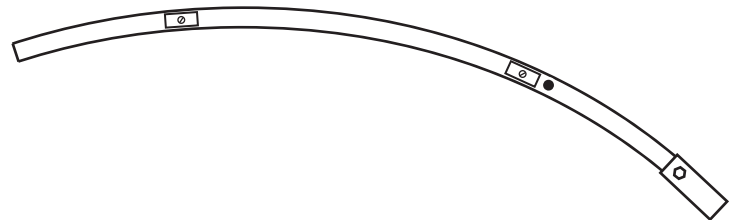
"G" CROSS MEMBER BRACE (8) - 15" Length



"L" TOP CROSS BRACE (3)



"H" END FRAME TOP HOOP (2)



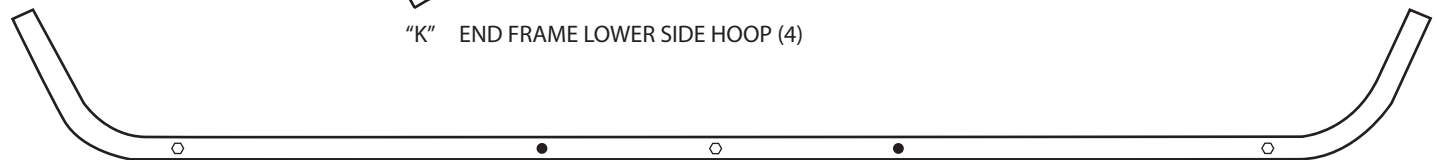
"I" END FRAME UPPER SIDE HOOP WITH MAGNET (1)



"J" END FRAME UPPER SIDE HOOP (3)



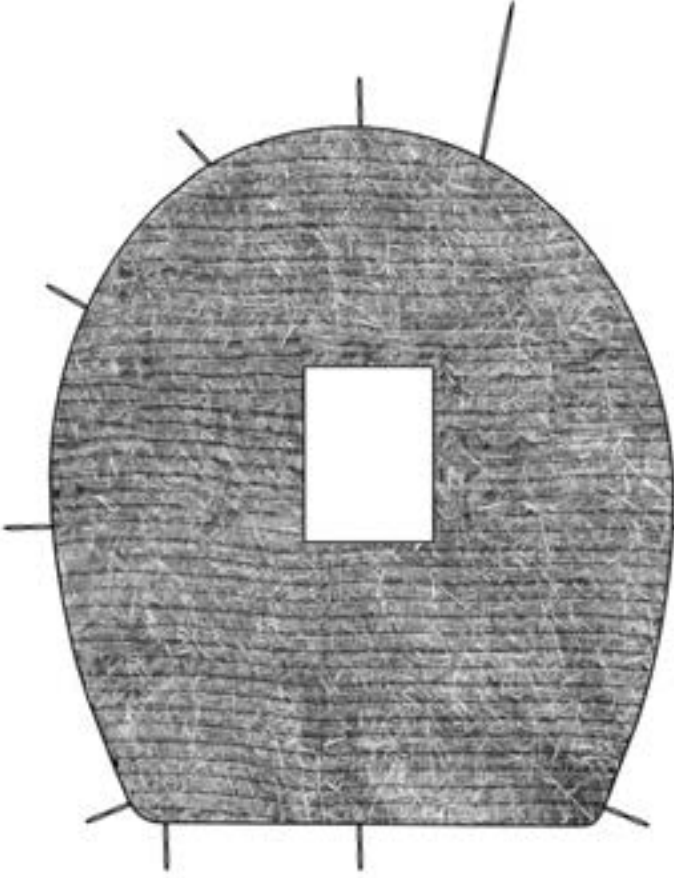
"K" END FRAME LOWER SIDE HOOP (4)



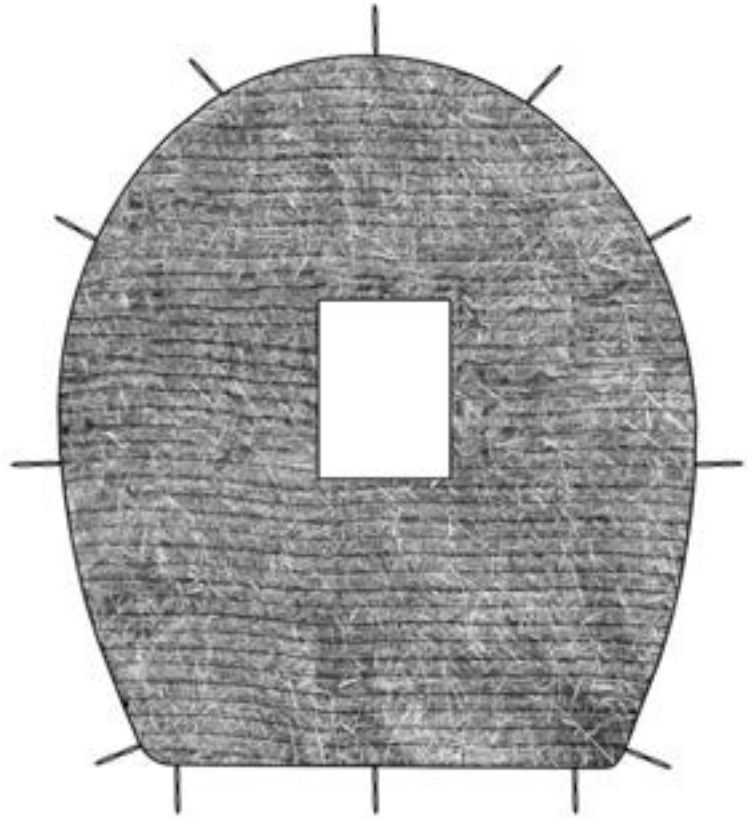
"M" END FRAME BOTTOM HOOP (2)

BILL OF MATERIALS

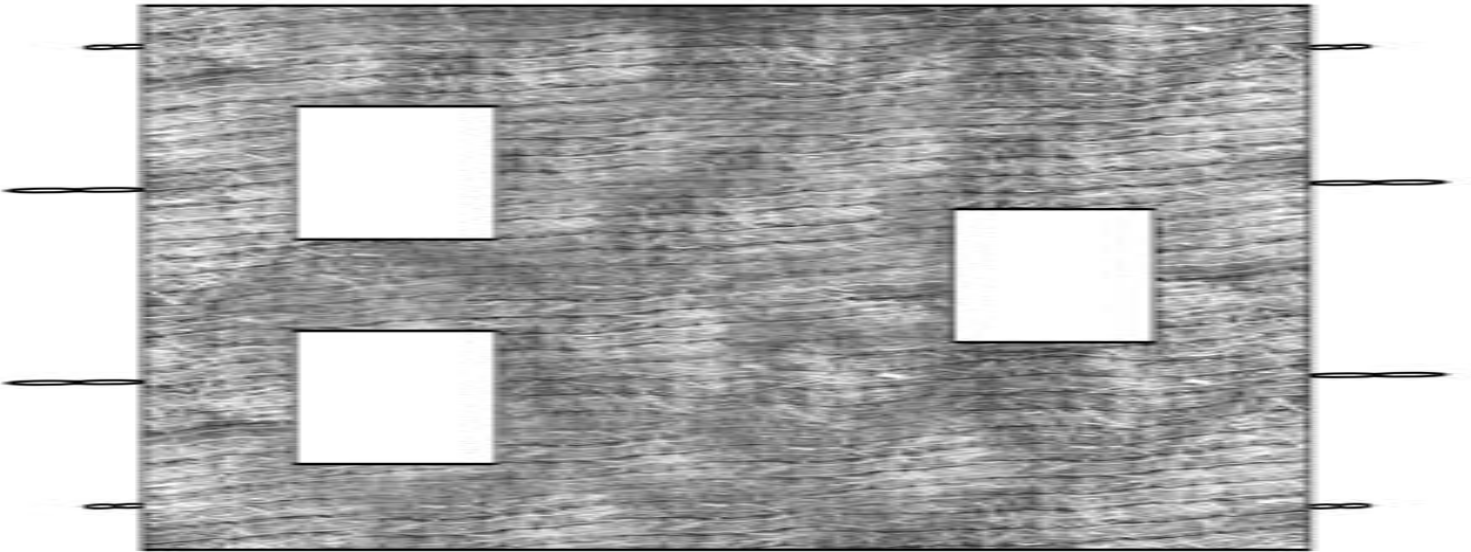
BALE BLANKETS & WINDOW COVERS



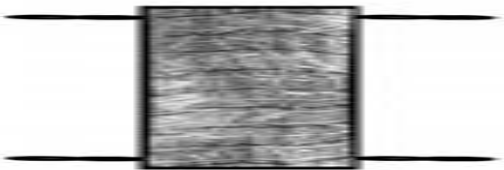
"N" DOOR SIDE END BLANKET WITH MAGNET (1)



"O" END BLANKET (1)



"P" COVER BLANKET (1)

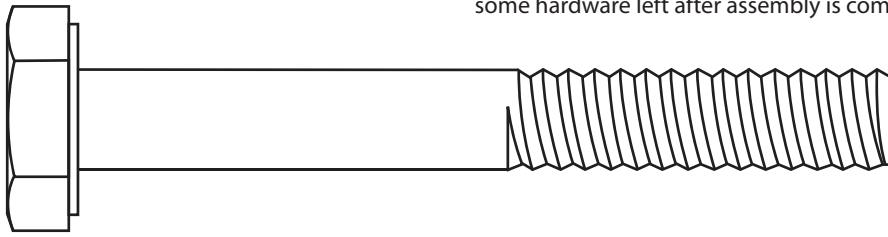


"Q" SILENT SLIDE WINDOW COVER (5)

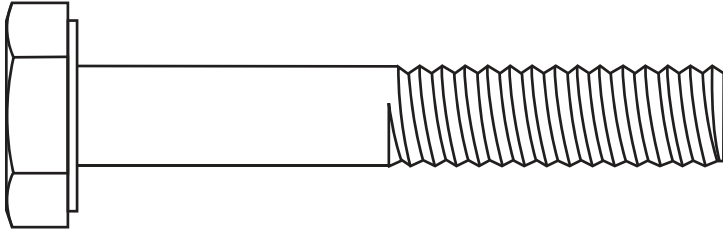
BILL OF MATERIALS

HARDWARE

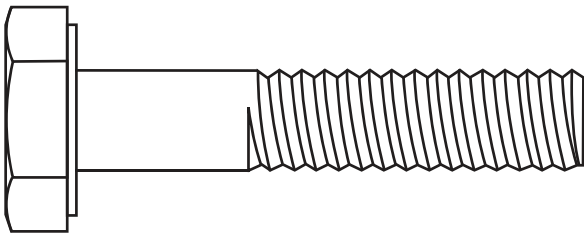
NOTE: There is extra hardware included and you may have some hardware left after assembly is completed.



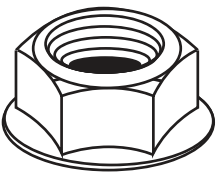
2" Bolts (2)



1.5" Bolts (5)



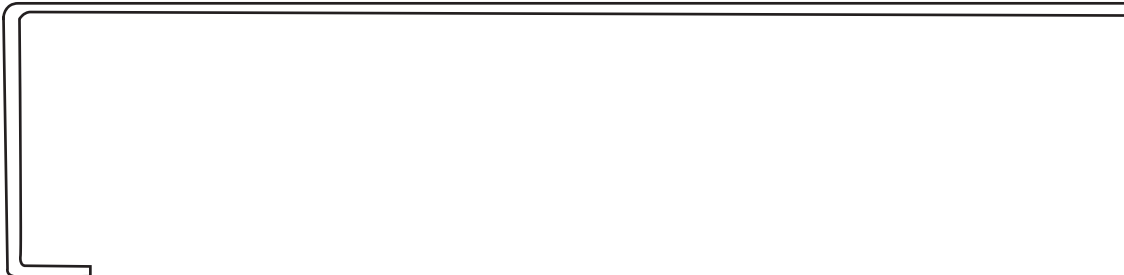
1.25" Bolts (41)



Nuts (46)



Wing Nut (2)

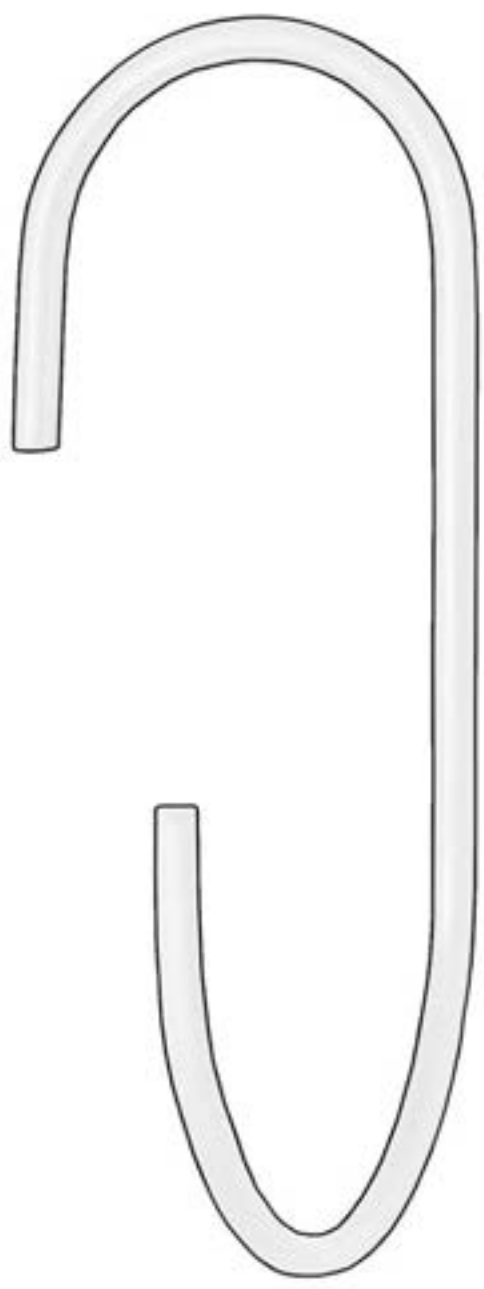


Blind Anchor Stakes (2)

TOOLS REQUIRED FOR ASSEMBLY (NOT INCLUDED)

- Tape Measure
- Wrench(s) (Size: 7/16)
- Hammer

Zip-Ties (30)



Bow Holder(2)

REFERENCE DIAGRAM

EXPLODED VIEW OF BALE BLIND FRAME

