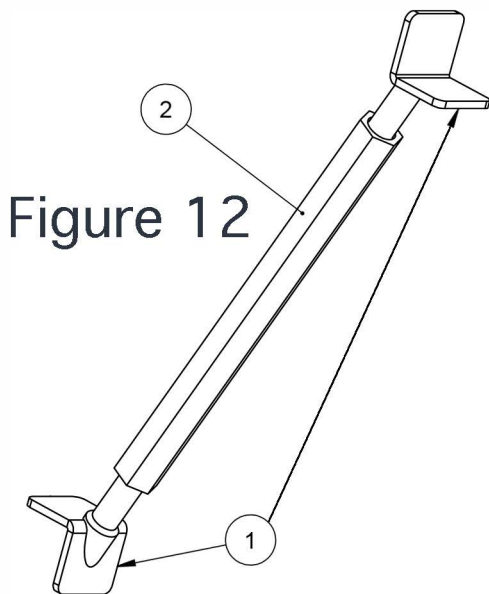


# REDNECK

## Redneck Ladder Stabilizers/Rope & Carabiner Product Manuals

### Ladder Stabilizers

Each Redneck Deluxe Stand now comes equipped with (2) ladder/platform stabilizers that once securely tightened, prevent any slack/movement in the ladder as you ascend/descend from your Redneck Fiberglass or Soft-Side Deluxe Blinds.



**Step 1:** With the ladder securely fastened to the stand platform as seen in Figure 12.1, evenly space both stabilizers as seen in Figure 12.2.

**Step 2:** As seen in Figure 12.2, tighten each stabilizer to the top step of the ladder to the bottom side of the stand platform by first adjusting Part 1 located in Figure 12 until you have a snug, hand-tightened fit.

**Step 3:** Once each stabilizer has been hand-tightened in place, tighten Part 2 located in Figure 12 with a wrench until the platform and ladder are securely tightened together; removing any slack/movement in the ladder.

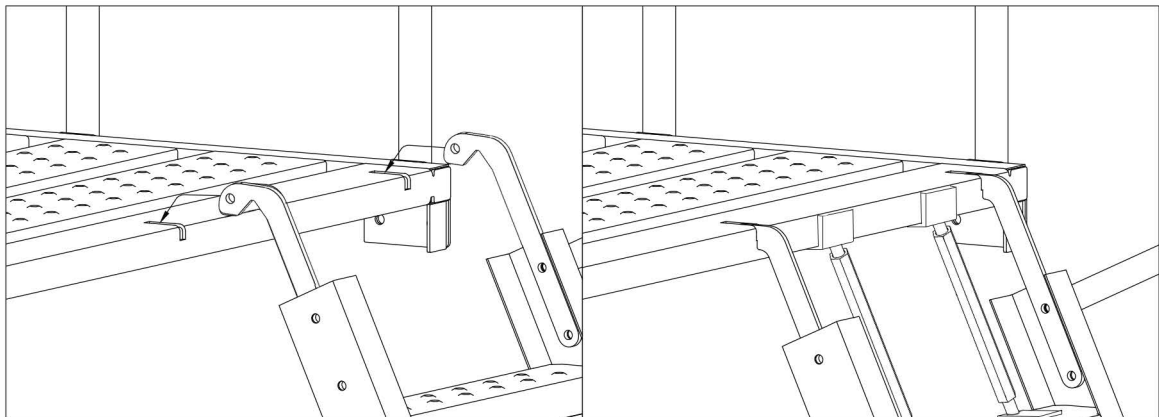


Figure 12.1

Figure 12.2

# Rope & Carabiner

Your Redneck Deluxe Powder Coated Tower Stand comes with a Rope & Carabiner to assist you in hoisting your gear into the Redneck Blind. Tie one end of the rope to the Platform Handrail, as illustrated in the diagram below, and use the carabiner to connect to your gear.

