

WINDOW LIFT ASSIST INSTALLATION

STEP 1: First feed the string through the corresponding holes in the METAL WINDOW CLIP, and tie a knot in one end. Next align and fasten the METAL INSERT and METAL WINDOW CLIP, securing in place with the (2) SCREWS, as illustrated in Figure 10.1.

NOTE: Make sure the METAL INSERT is installed on the same side that the (2) SCREWS will be fastened, as illustrated in Figure 10.1.

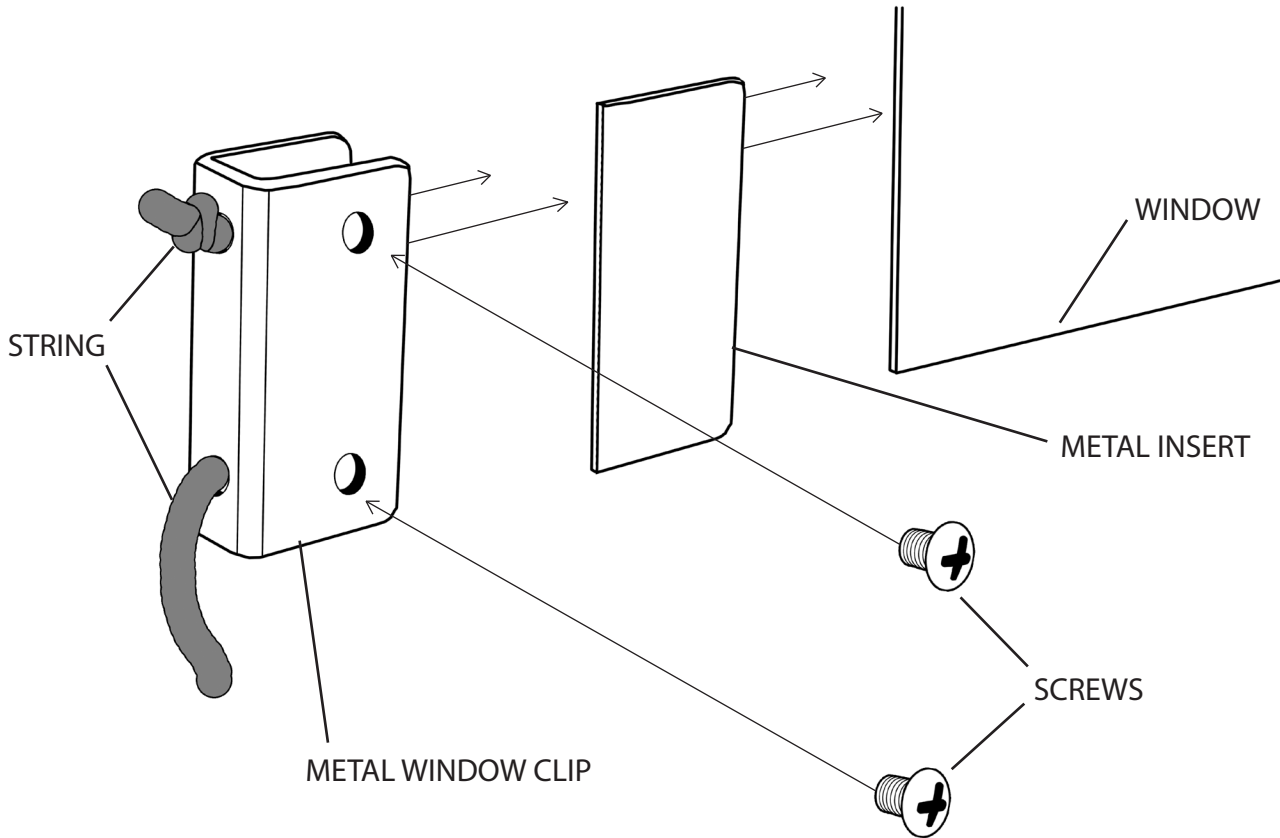


Figure 10.1

STEP 2: Drill a 3/16" hole through the wall of your Redneck Blind in the predetermined location of your choice. Make sure the location of your hole is high enough on the wall of the blind to allow for clearance of the window when it is open. Next install the EYE HOOK, NUT, (2) WASHERS and LOCK NUT, making sure to use the hardware configuration illustrated in Figure 11.1.

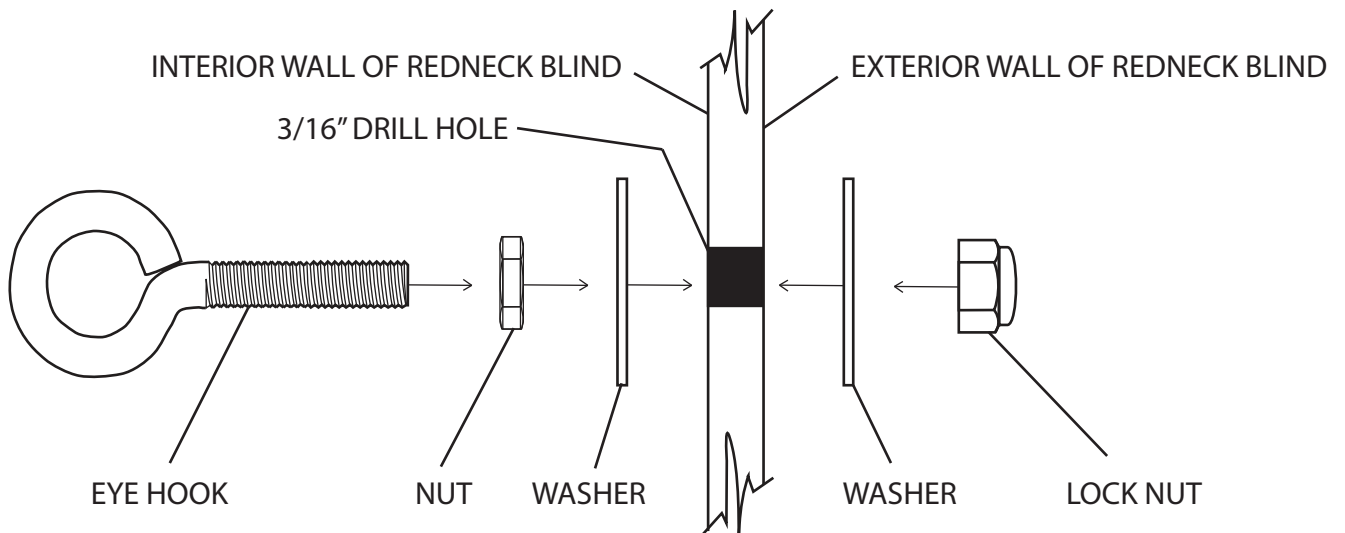


Figure 11.1

STEP 3: Drill a 1/16" pilot hole into the shelf at a predetermined location of your choice, then srew the HOOK onto the shelf. Feed the STRING coming from the METAL WINDOW CLIP through the EYE HOOK and down to the HOOK. Tie a loop in the STRING that will be used to anchor the Window in it's open position. The installation of your Window Assist should now be complete, and resemble the illustration in Figure 12.1.

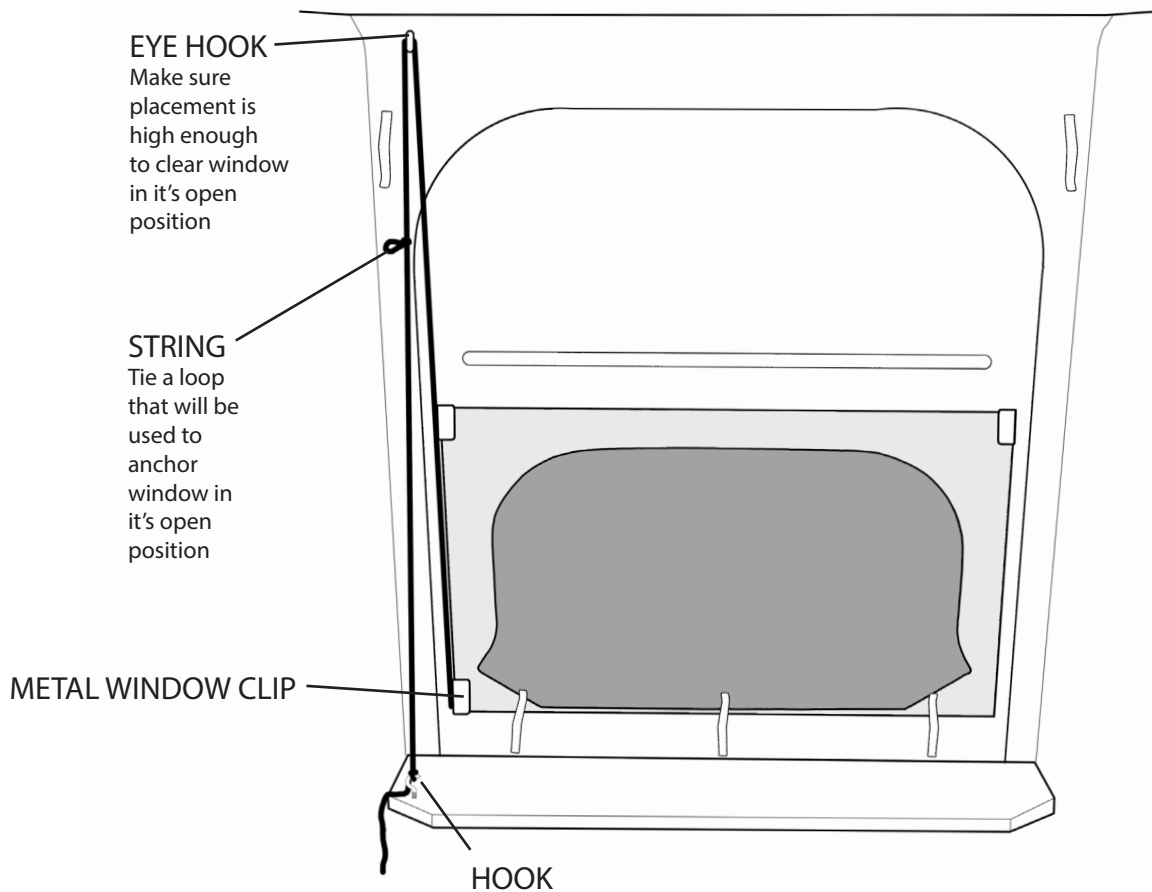


Figure 12.1

Should you have any questions about the assembly, installation or use of this product, or any other Redneck Outdoor product, please call one of our customer service representatives toll free at 877-523-9986.

TOOLS REQUIRED FOR ASSEMBLY (NOT INCLUDED)

- Phillips Screwdriver
- Wrench(s) (Size: 3/8")
- Drill (Bit Sizes: 1/16" & 3/16")