



## SPRING WINDOW CLIPS

Your Redneck Hunting Blind utilizes Spring Window Clips to keep the windows properly sealed when closed. At the end of every hunt, make sure all windows are closed and the Spring Window Clips are returned to their correct position over the window to ensure maximum protection against the elements & bugs.

If at some point one of your Spring Window Clips should become loose, replace that clip with one of the replacement clips located in this packet. Drill out the rivet on the bad clip, as illustrated in Figure 12.1.

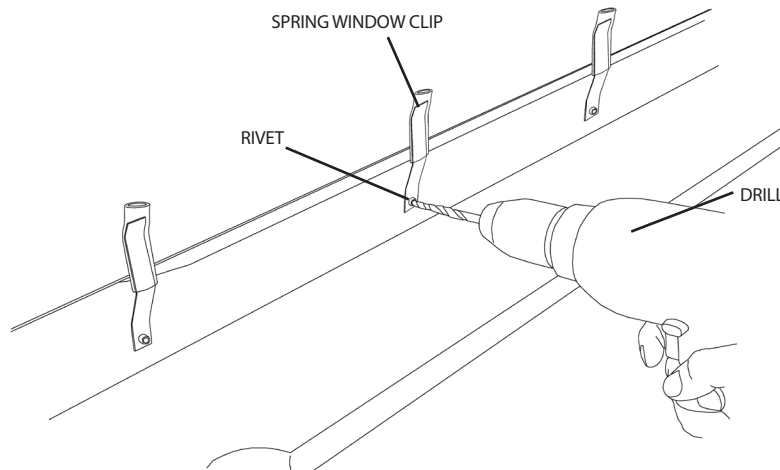


Figure 12.1

Once the bad Spring Window Clip has been removed, replace it with a new Spring Window Clip, Teflon Washer, and Rivet, as illustrated in Figure 13.1. If you do not have access to a rivet gun (can be bought fairly cheap at a hardware store) a bolt and nut of the appropriate size can be used in substitution of a rivet.

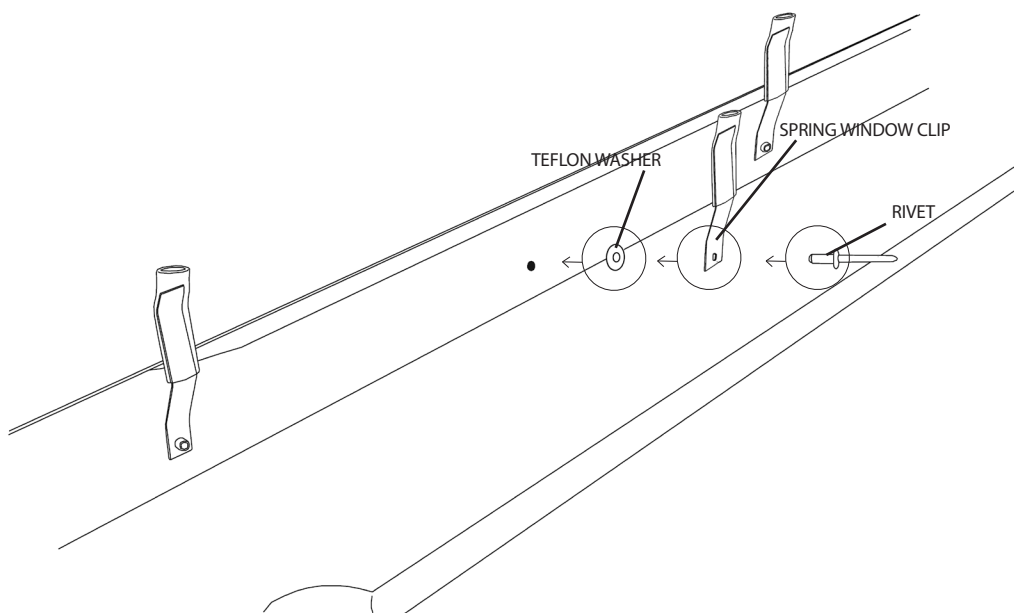


Figure 13.1