



RD-STD67BR

REDNECK 6x7 SUPPORT ARM ASSEMBLY INSTRUCTIONS

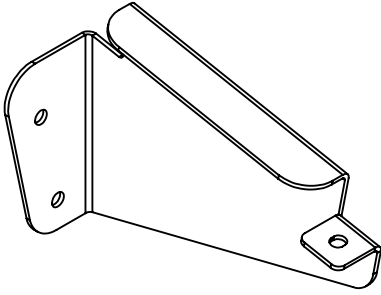
READ THESE INSTRUCTIONS IN THEIR ENTIRETY PRIOR TO ASSEMBLING THIS PRODUCT

WARNING! Do not remove, modify and/or omit any portion or otherwise mechanically modify this product(s) or its assemblies in any manner. Modification, misuse and/or part substitution shall immediately void your factory warranty. If you suspect that a part(s) is missing and/or defective, immediately discontinue all use of the product and contact Redneck Outdoor Products at 877-523-9986 for replacement of missing or defective parts.

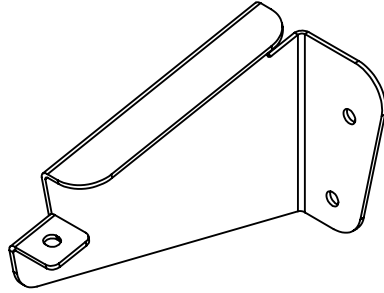
NOTE: Some parts of this product are manufactured to be universal in use, so there may be some parts containing holes that will not be used in the assembly of this particular model. To minimize confusion in the assembly process, please read these instructions in their entirety before beginning.

Should you have any questions about the assembly, installation or use of this product, or any other Redneck Outdoor Products, please call one of our customer service representatives toll free at 877-523-9986.

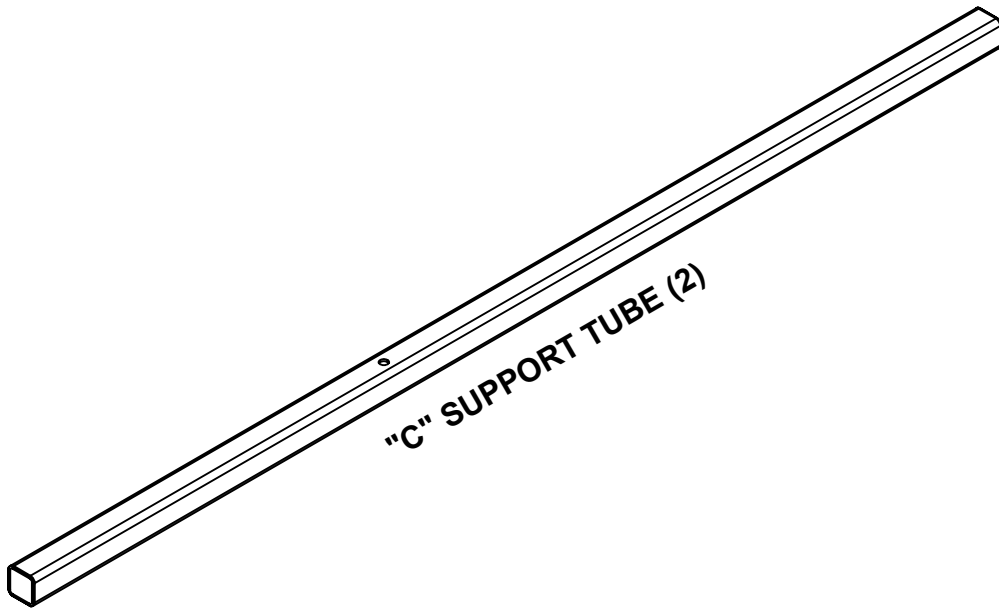
-----BILL OF MATERIALS-----



"A" MOUNTING BRACKET (2)

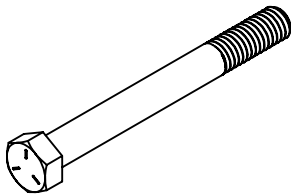


"B" MOUNTING BRACKET (2)

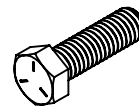


"C" SUPPORT TUBE (2)

HARDWARE



3/8 - 16 BOLT
3.25" LONG (2)



3/8 - 16 BOLT
1.25" LONG (6)



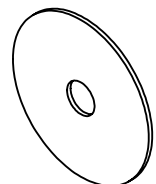
3/8 - 16 NUT
(4)



3/8 FLAT WASHER
(8)



3/8 LOCK WASHER
(8)



3/8" WIDE FLANGE WASHER
(2)

THERE WILL BE LEFT OVER HARDWARE

STEP 1: Remove all parts from the packaging and familiarize yourself with them. Find the bill of material located on the second page of this manual and verify that all parts are present.

STEP 2: Attach the upper legs "B-10' Stand" to the stand platform "A-10' Stand". Attach the legs to the stand first by installing the bolts from the stand kit on the holes facing the front & back of the stand. Make sure you only tighten the bolts finger tight while installing. Next take the Mounting Brackets "A & B" out of the 6x7 Arm Kit and attach it to the outside of the legs as shown in Figure 10.2 & 10.3. Fasten these to the stand using the standard hardware out of the stand box. Make sure that both brackets are facing in towards the middle of the platform, see figure 10.3. Repeat this step for the other side.

Figure 10.2

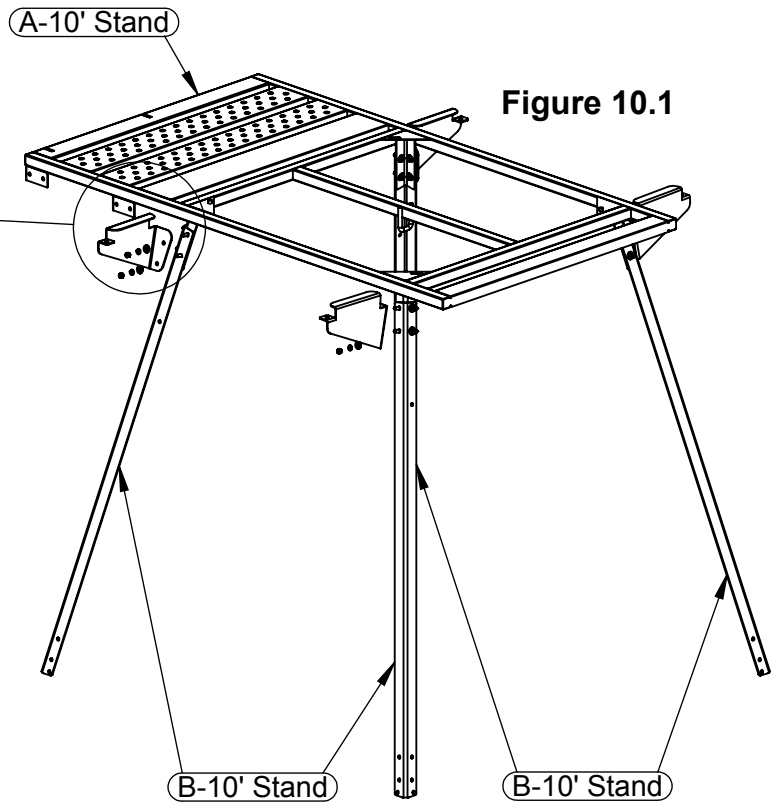
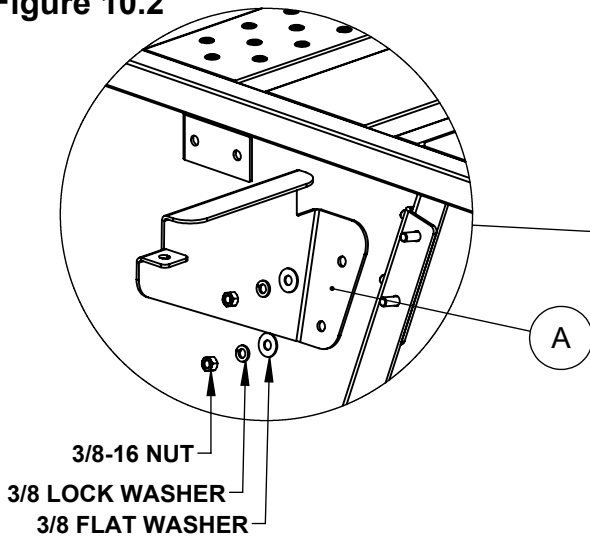


Figure 10.1

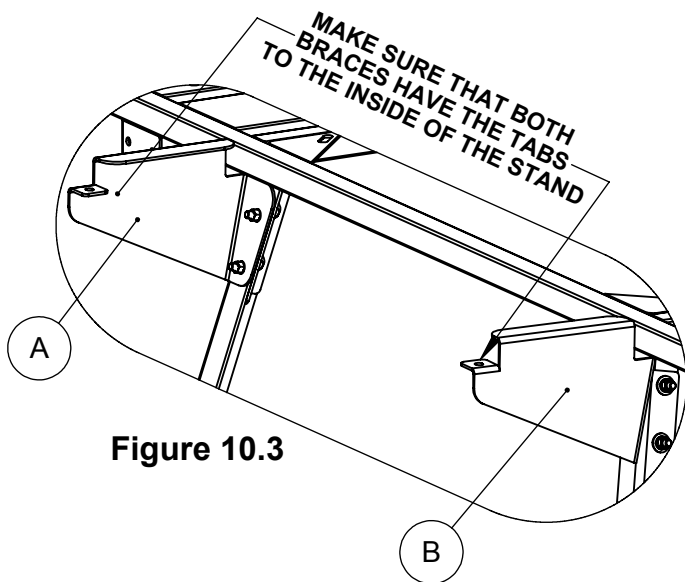


Figure 10.3

STEP 3: With all 4 Mounting brackets installed, take the Support Tube "C" and place it onto the mounting brackets as shown in figure 11.1. Make sure that the long end of the support tube sticks out past the front of the stand, see Figure 11.1. With the support tubes in place fasten them into place through the tabs in each bracket as shown in figure 11.2. Make sure to start the bolts with your fingers so you dont strip out the rivet nuts inside the tubes. Once you have them finger tight, fully tighten with a wrench.

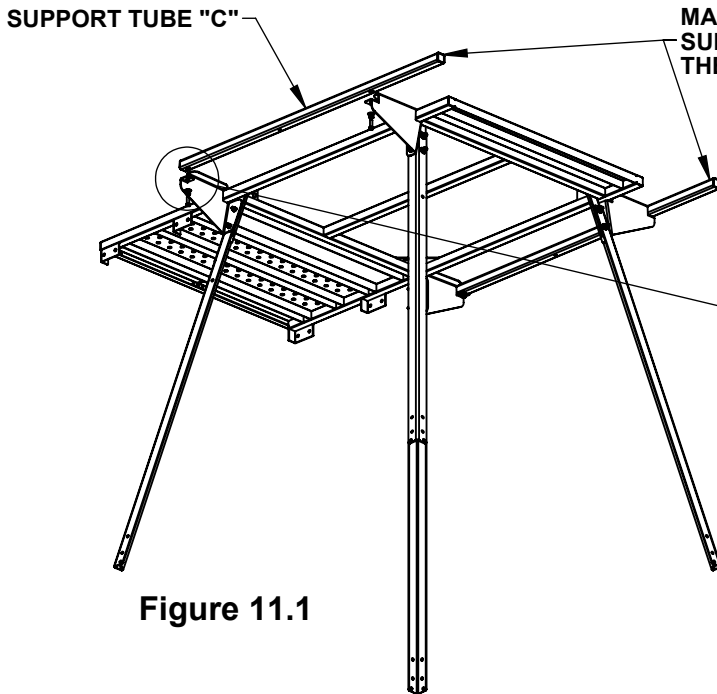


Figure 11.1

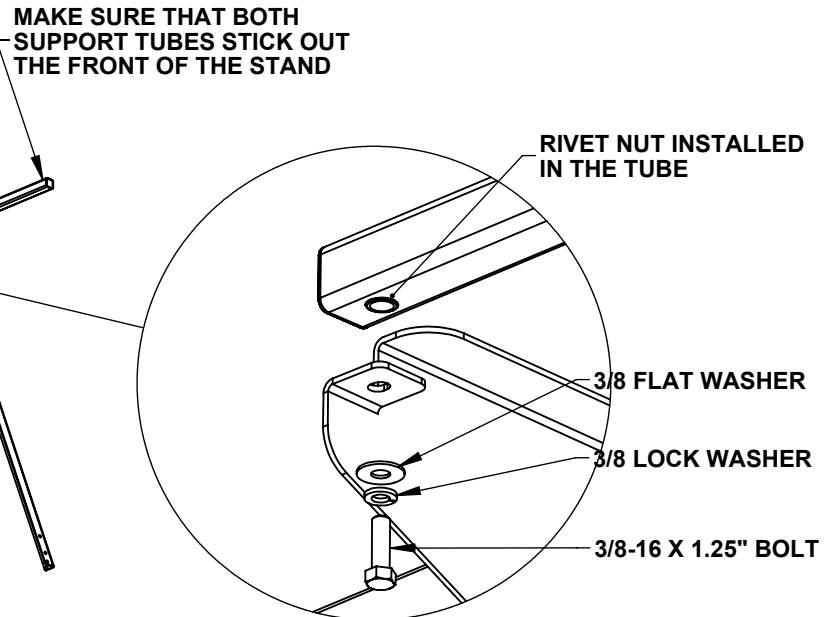


Figure 11.2

STEP 4: Once all the arms are in place and secure you can finish building the rest of the stand. Make sure that all bolts are tightened and secured correctly. Once the blind is bolted to the platform as called out in the 5' & 10' stand instructions, you have the option to secure the blind in 2 more places. Each Support tube has a hole in between the Cross tubes. Drill a 3/8" hole through the hole in the tube and through the floor in the blind. Once the hole is in the floor you can secure the blind to the support tubes with the hardware supplied with the 6x7 Arm kit as shown in figure 14.3.

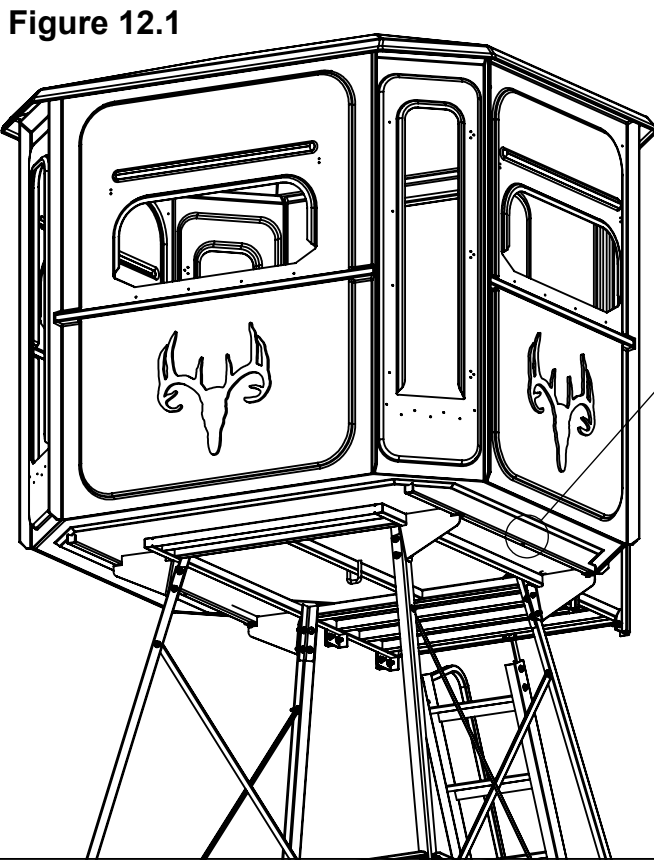


Figure 12.1

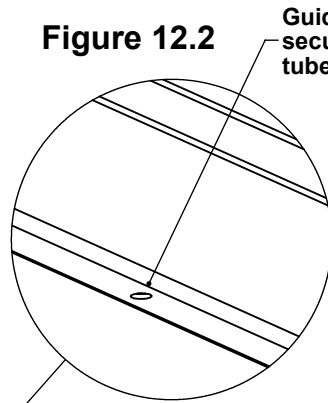


Figure 12.2

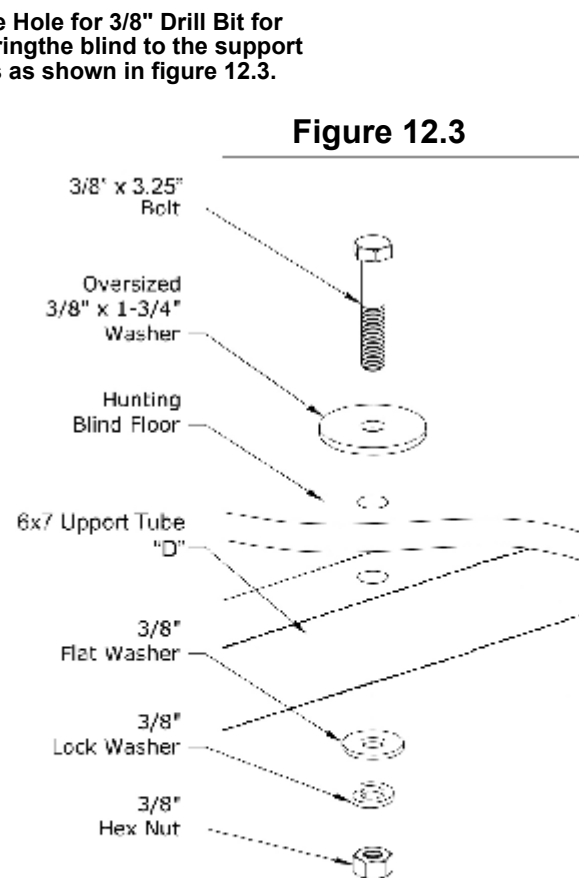


Figure 12.3