



RD-PLSTAIR-5

REDNECK DELUXE 5FT STAIRWAY ASSEMBLY INSTRUCTIONS

NOTE: If you are installing a 10ft Stairway, disregard these instructions and use the instructions in Box 2.

READ THESE INSTRUCTIONS IN THEIR ENTIRETY PRIOR TO ASSEMBLING THIS PRODUCT

WARNING! Do not remove, modify and/or omit any portion or otherwise mechanically modify this product(s) or its assemblies in any manner. Modification, misuse and/or part substitution shall immediately void your factory warranty. If you suspect that a part(s) is missing and/or defective, immediately discontinue all use of the product and contact Redneck Outdoor Products at 877-523-9986 for replacement of missing or defective parts.

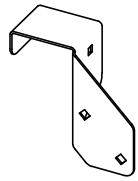
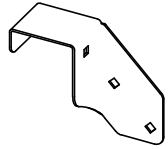
NOTE: Some parts of this product are manufactured to be universal in use, so there may be some parts containing holes that will not be used in the assembly of this particular model. To minimize confusion in the assembly process, please read these instructions in their entirety before beginning.

Should you have any questions about the assembly, installation or use of this product, or any other Redneck Outdoor Products, please call one of our customer service representatives toll free at 877-523-9986.

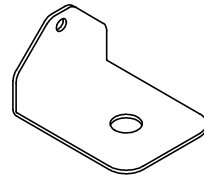
FIGURE 1.1

LOWER STAIR TO 5FT STAND PARTS INVENTORY

**UPPER STAIR
RIGHT ADAPTOR PLATE
QTY 1**



**UPPER STAIR
LEFT ADAPTOR PLATE
QTY 1**

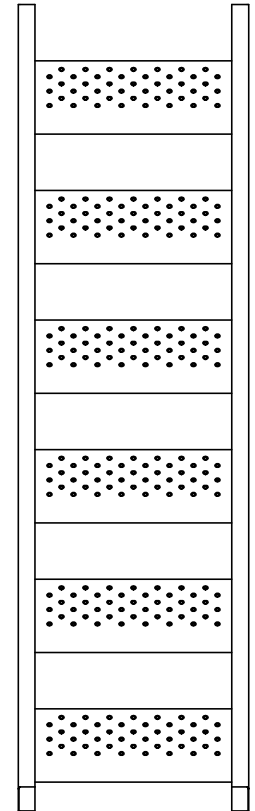


**LADDER FOOT
QTY 2**

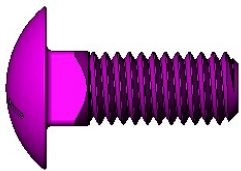


**HAND RAIL
QTY 2**

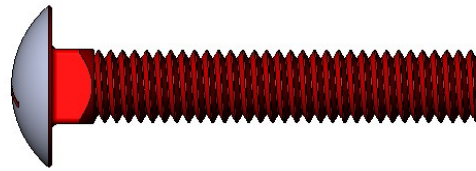
**LOWER STAIR
TREAD ASSY
QTY 1**



**HARDWARE INVENTORY
ACTUAL SIZE**



**3/8" x 1.00" CARRIAGE BOLT
QTY 6
2**



**3/8" x 2 1/4" CARRIAGE BOLT
QTY 4**



**3/8" FLANGE NUT
QTY 10**

PARTS & HARDWARE

- 8 **FLANGE NUTS**
- 4 **3/8" X 2 1/4" CARRIAGE BOLTS**
- 4 **3/8" X 1" CARRIAGE BOLTS**
- 2 LOWER PLATFORM CONNECTOR BRACKET
- 2 STAIR HAND RAILS
- 2 FEET

STEP 2: LOWER STAIR ASSY FOR 5FT STAND

- ASSEMBLE LOWER STAIR ADAPTOR PLATES TO STAIR SIDE RAILS USING **3/8" X 1" CARRIAGE BOLT** AND **3/8" FLANGE NUT**.
- ASSEMBLE FEET TO STAIR SIDE RAILS USING **3/8" X 1" CARRIAGE BOLT** AND **3/8" FLANGE NUT**. (SEE FIGURE 2.3)
- ASSEMBLE HAND RAILS TO STAIR SIDE RAILS USING **3/8" X 2 1/4" CARRIAGE BOLT** AND **3/8" FLANGE NUT**. (SEE FIGURE 2.2)

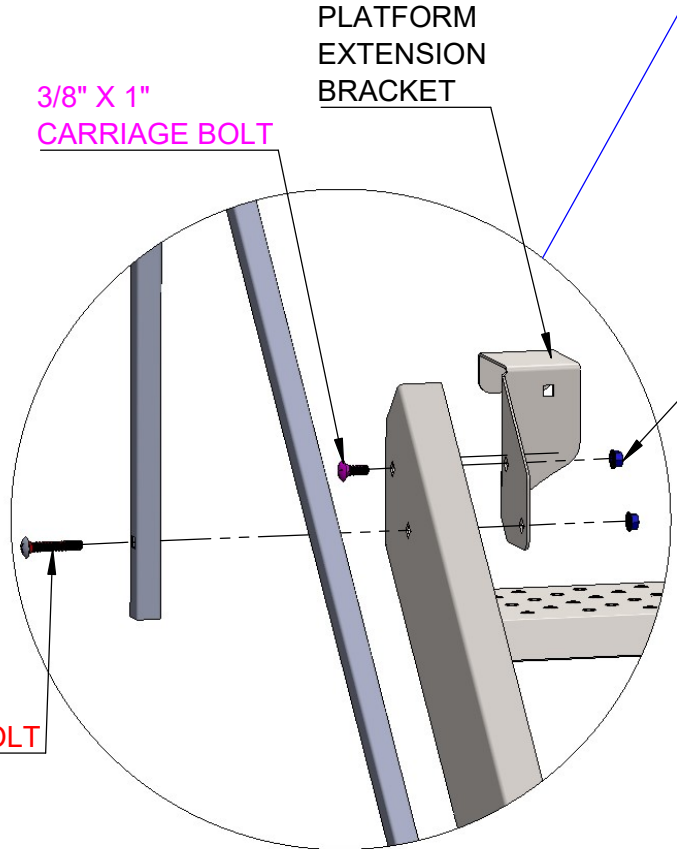
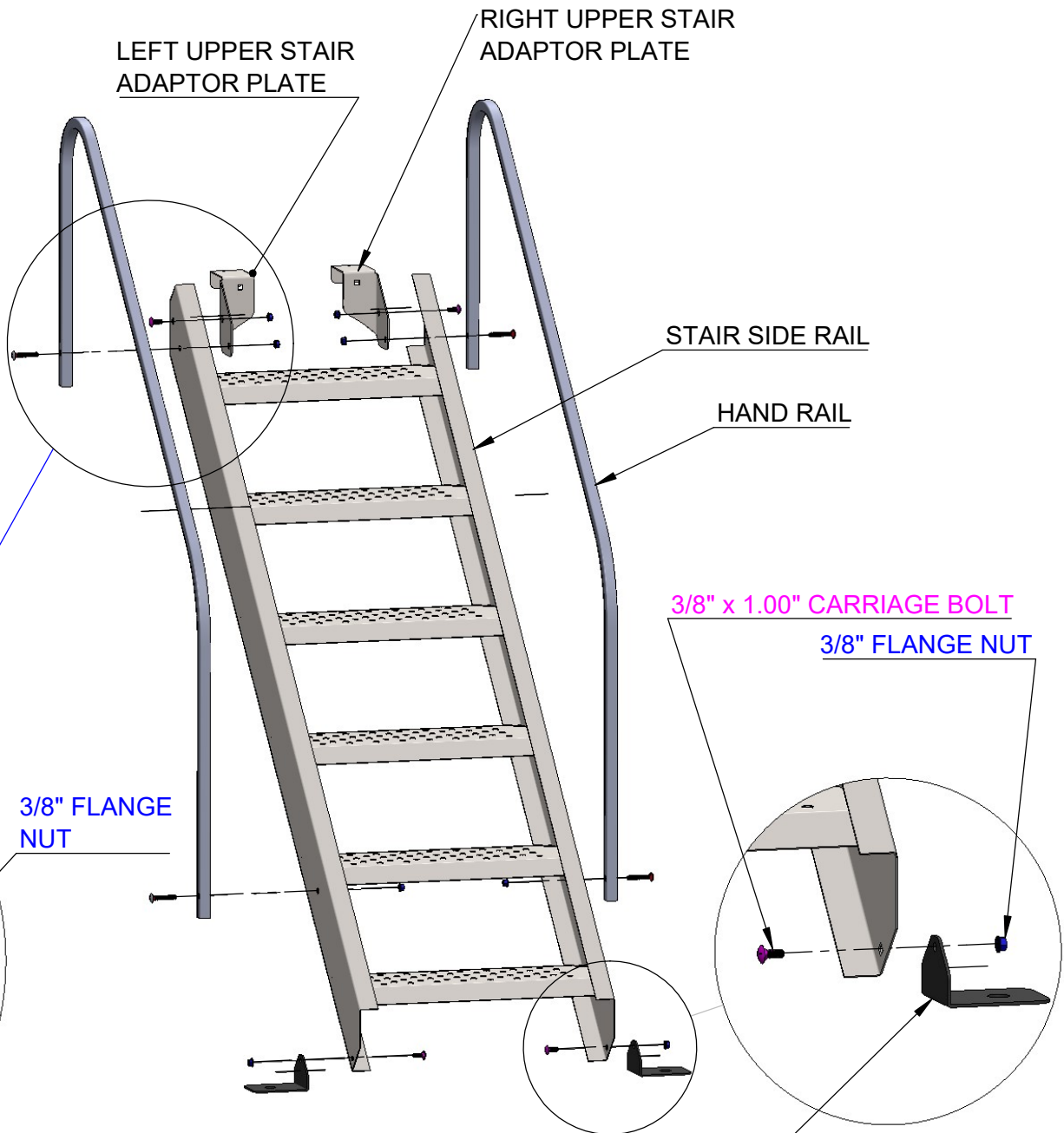


FIGURE 2.2

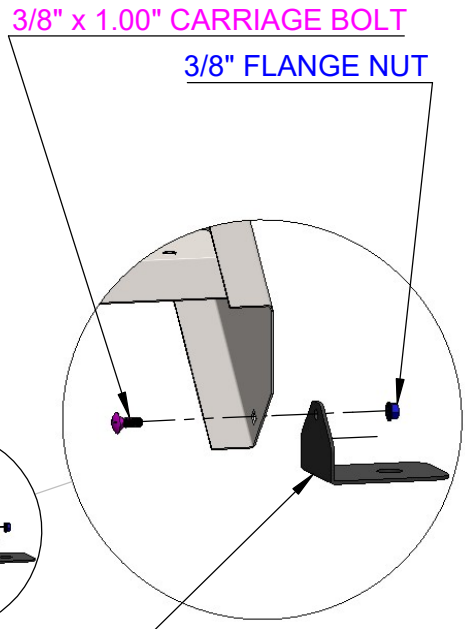


FIGURE 2.3

FIGURE 2.1

FOOT

PARTS & HARDWARE

2 **3/8" x 1.00" CARRIAGE BOLT**

2 **3/8" FLANGE NUT**

1 LOWER STAIR ASSEMBLY

1 5' STAND WITH PORCH EXTENSION

STEP 3: LOWER STAIR TO 5FT STAND ASSY

WITH TWO PEOPLE (ONE ON EACH SIDE OF THE LOWER STAIR) LIFT THE LOWER STAIR AND HOOK THE CONNECTING BRACKETS OVER THE PORCH EXTENSION ALIGNING HOLES AND ASSEMBLE USING **3/8" x 1.00" CARRIAGE BOLTS** AND **3/8" FLANGE NUTS** AS SHOWN IN FIGURE 2.1

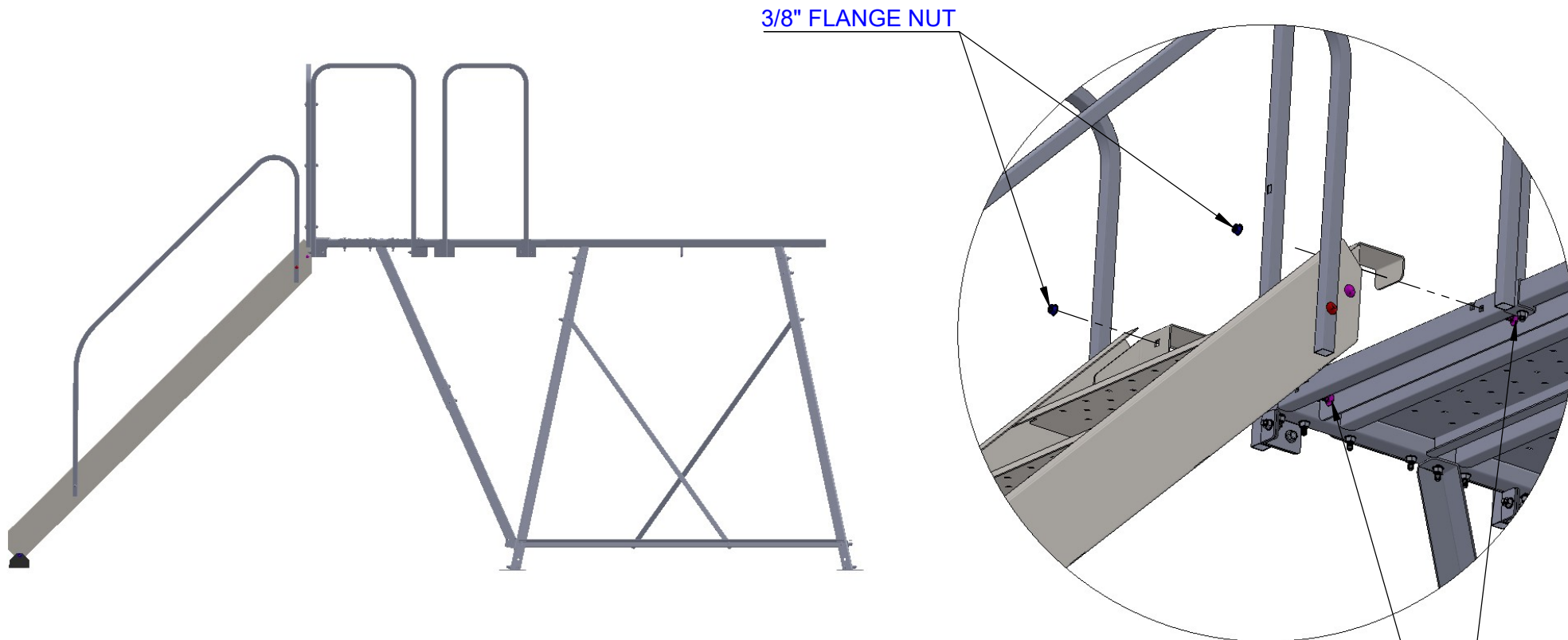
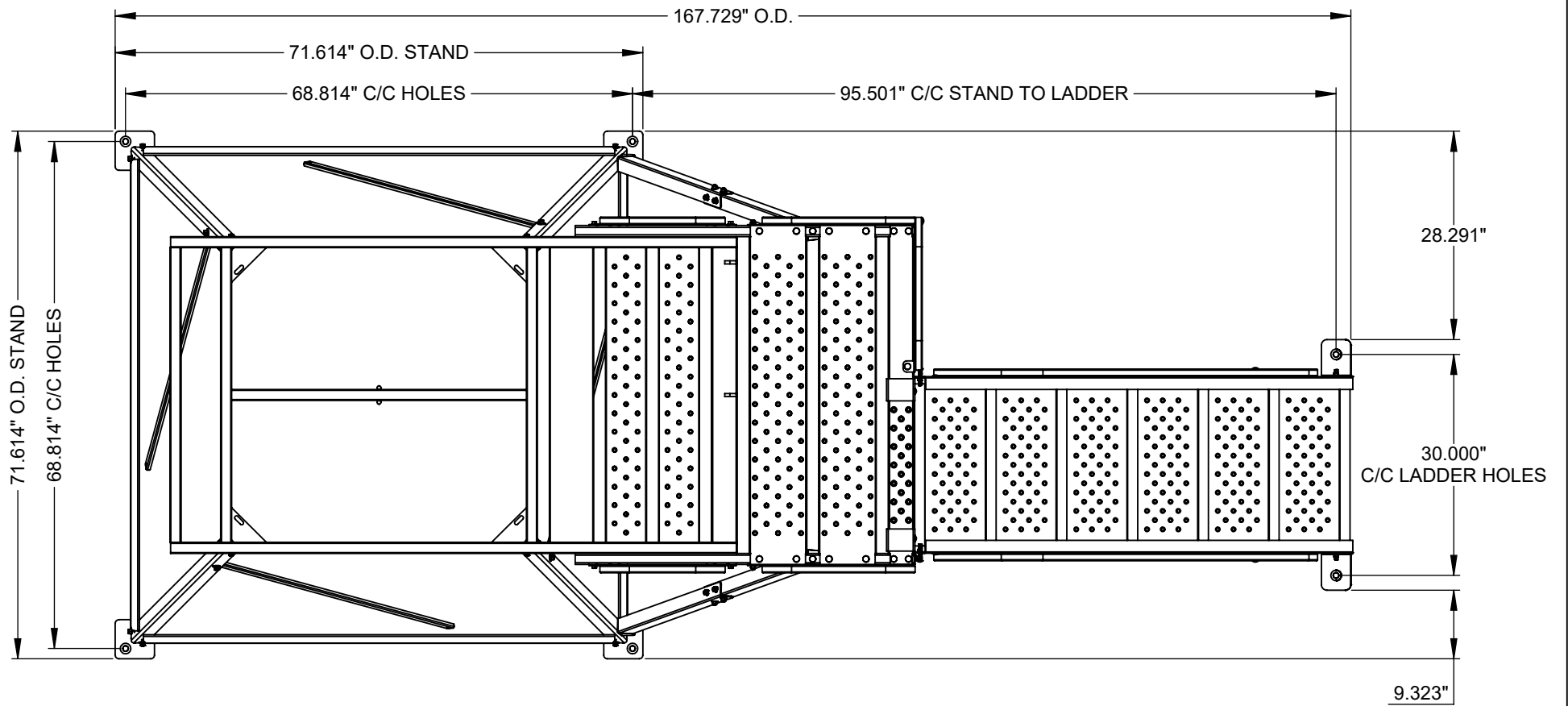


FIGURE 3

FIGURE 3:1

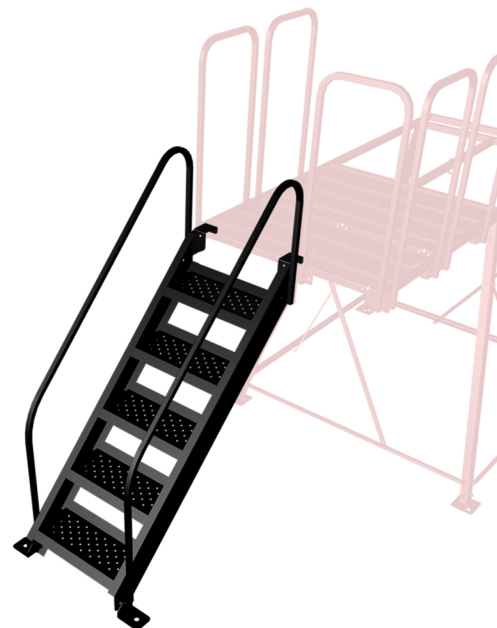
3/8" x 1.00" CARRIAGE BOLT
NOTE: INSERT BOLTS FROM BACKSIDE, THREADS TOWARD STAIR



RD-PLSTAIRS-5

BOX 1: Ladder, Handrails, Brackets & Feet

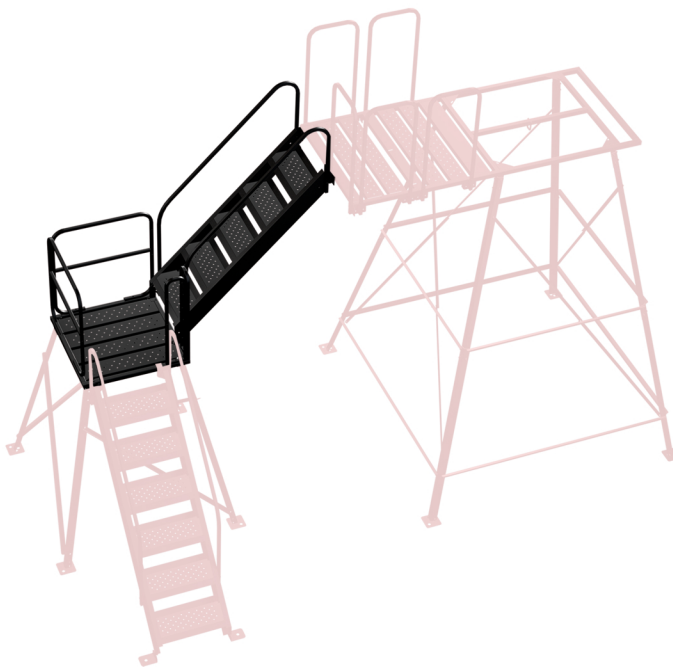
NOTE: Can be used as a 5' Stairway or Bottom Section of a 10' Stairway.



RD-PLS-BOX 2

BOX 2: Upper Stairway, Platform & Handrails

NOTE: To complete a 10ft Stairway, BOX 1 (RD-PLSTAIRS-5), BOX 2 (RD-PLS-BOX 2) & BOX 3 (RD-PLS-BOX 3) are required.



RD-PLS-BOX 3

BOX 3: Legs & Braces for 10' Stairway

NOTE: To complete a 10ft Stairway, BOX 1 (RD-PLSTAIRS-5), BOX 2 (RD-PLS-BOX 2) & BOX 3 (RD-PLS-BOX 3) are required.

