



## **PFEXT**

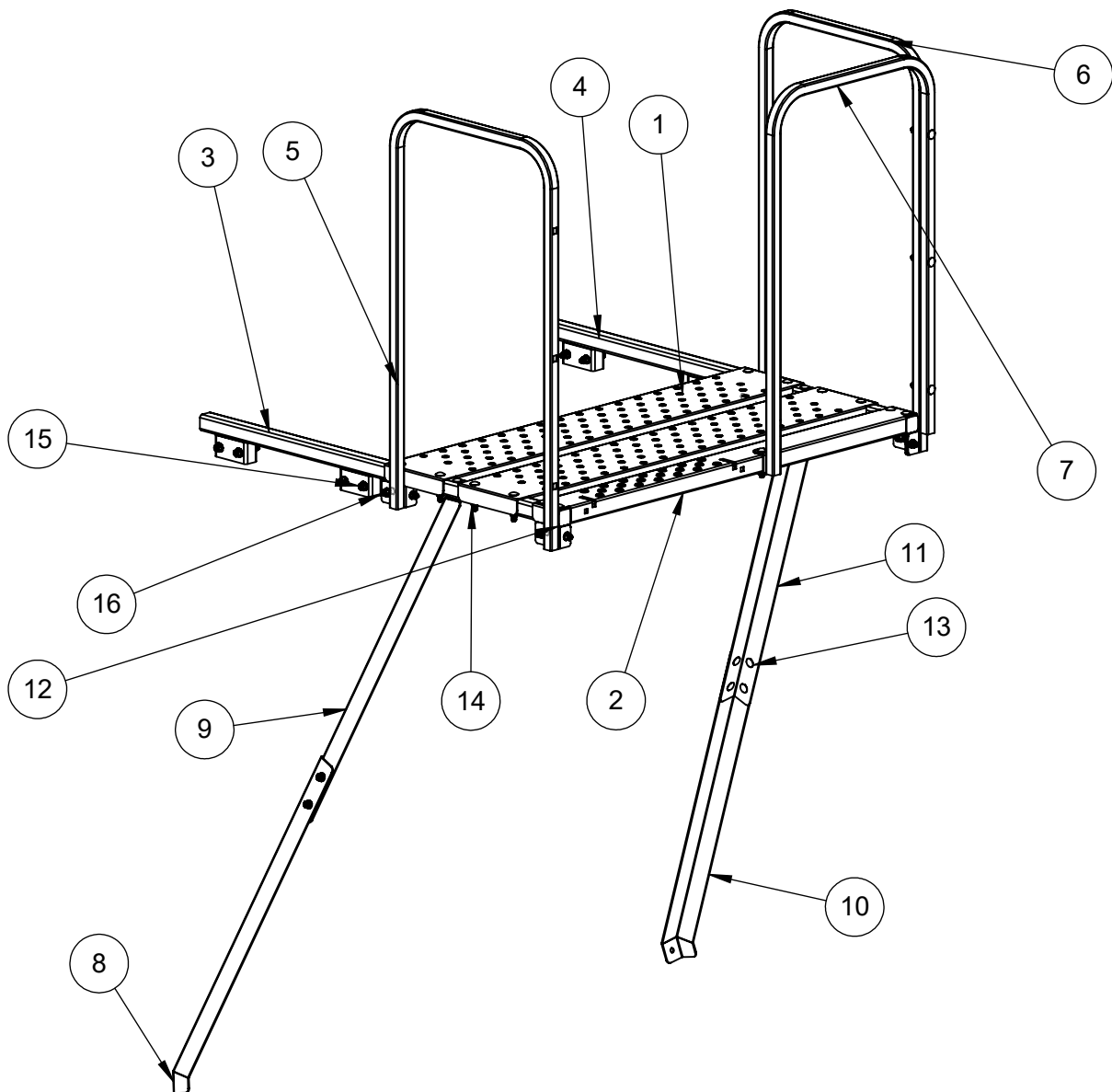
### **REDNECK DELUXE PORCH ASSEMBLY INSTRUCTIONS**

**READ THESE INSTRUCTIONS IN THEIR ENTIRETY PRIOR TO ASSEMBLING THIS PRODUCT**

**WARNING!** Do not remove, modify and/or omit any portion or otherwise mechanically modify this product(s) or its assemblies in any manner. Modification, misuse and/or part substitution shall immediately void your factory warranty. If you suspect that a part(s) is missing and/or defective, immediately discontinue all use of the product and contact Redneck Outdoor Products at 877-523-9986 for replacement of missing or defective parts.

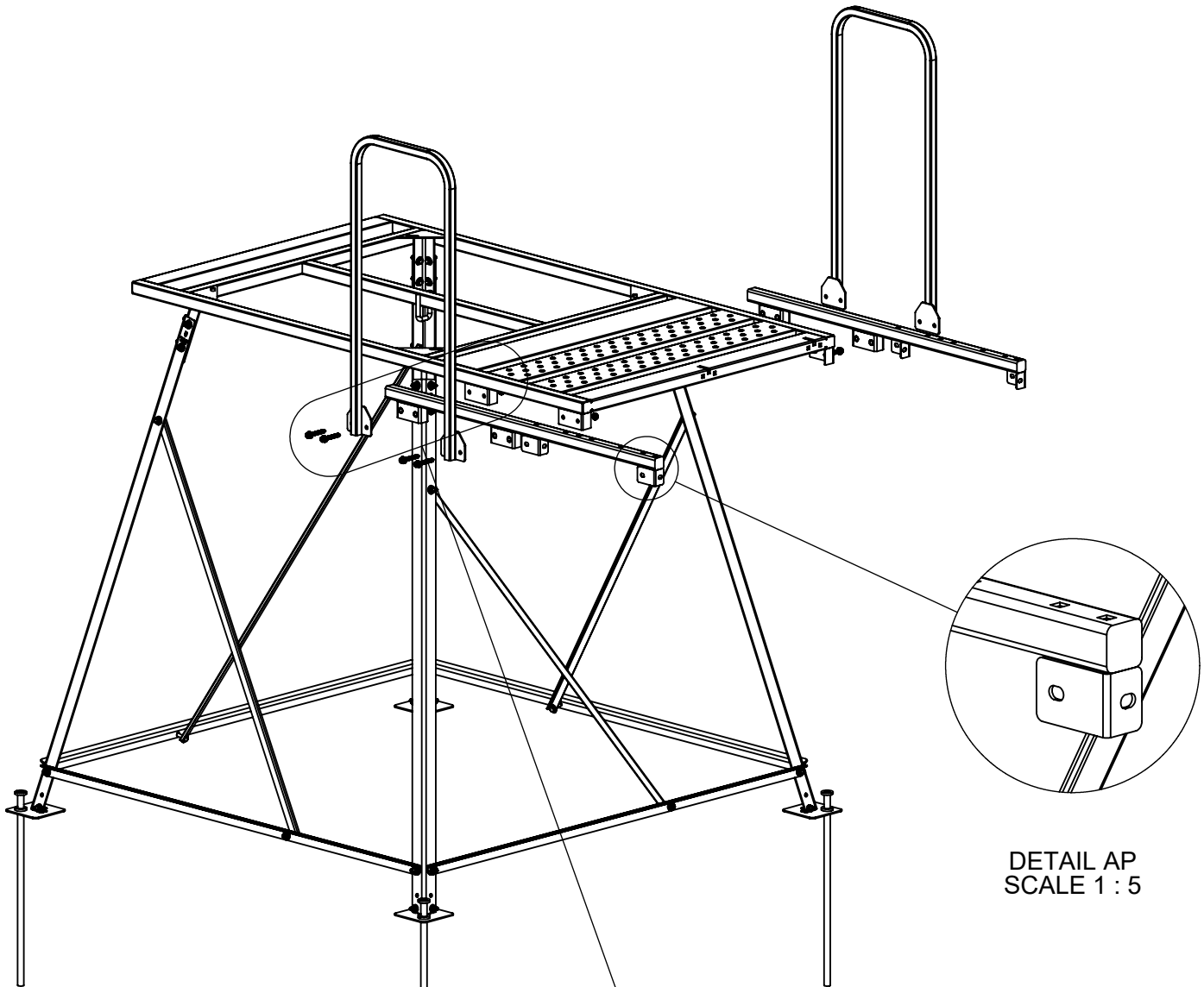
**NOTE:** Some parts of this product are manufactured to be universal in use, so there may be some parts containing holes that will not be used in the assembly of this particular model. To minimize confusion in the assembly process, please read these instructions in their entirety before beginning.

Should you have any questions about the assembly, installation or use of this product, or any other Redneck Outdoor Products, please call one of our customer service representatives toll free at 877-523-9986.



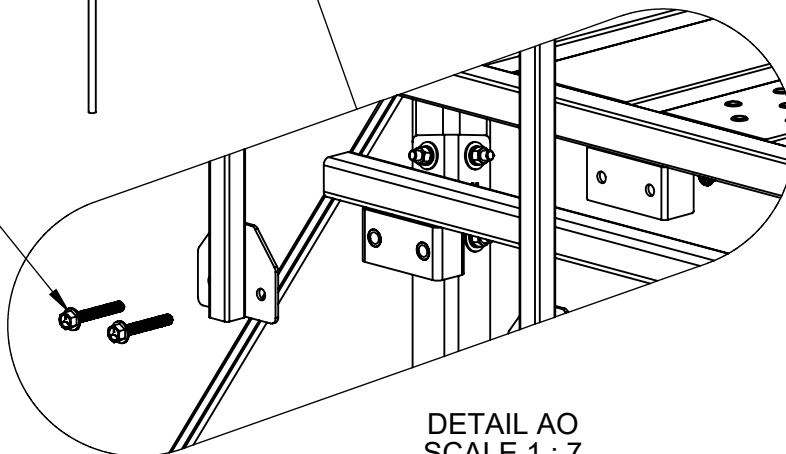
ITEM NO.	DESCRIPTION	Extension Only/QTY.
1	Bolt on tread Channel	2
2	Bolt on front Channel	1
3	Bolt on side tube assembly - Left Side	1
4	Bolt on side tube assembly - Right Side	1
5	Bolt on Side hand rail assy - Left Side	1
6	Bolt on Side hand rail assy - Right Side	1
7	Bolt on front hand rail assy	1
8	Porch Support - Lower Left Side	1
9	Porch Support - Upper Left Side	1
10	Porch Support - Lower Right Side	1
11	Porch Support - Upper Right Side	1
12	3/8-16 x 2.5" Carriage Bolt	18
13	3/8-16 x .875" Carriage Bolt	8
14	3/8-16 Locking Flange Nut	42
15	3/8-16 x 2.5" Flange Bolt	8
16	3/8-16 X .875" LOCKING FLANGE BOLT	8

**STEP 1:** With the Stand built, find the long support arms with the square tubes and bent angles. There is a left & right side so make sure the flat side of the angles are to the outside of the stand as shown in detail AP. Place the support arms in-between the platform and the handrail as shown in detail AO. Using (8) 3/8-16 x 2.5" Flange Bolt secure the handrails through the holes and the tubes and secure with a flange nut on the back side of the platform. Make sure to keep these only finger tight for these steps. There will be (4) nuts and bolts on each side.



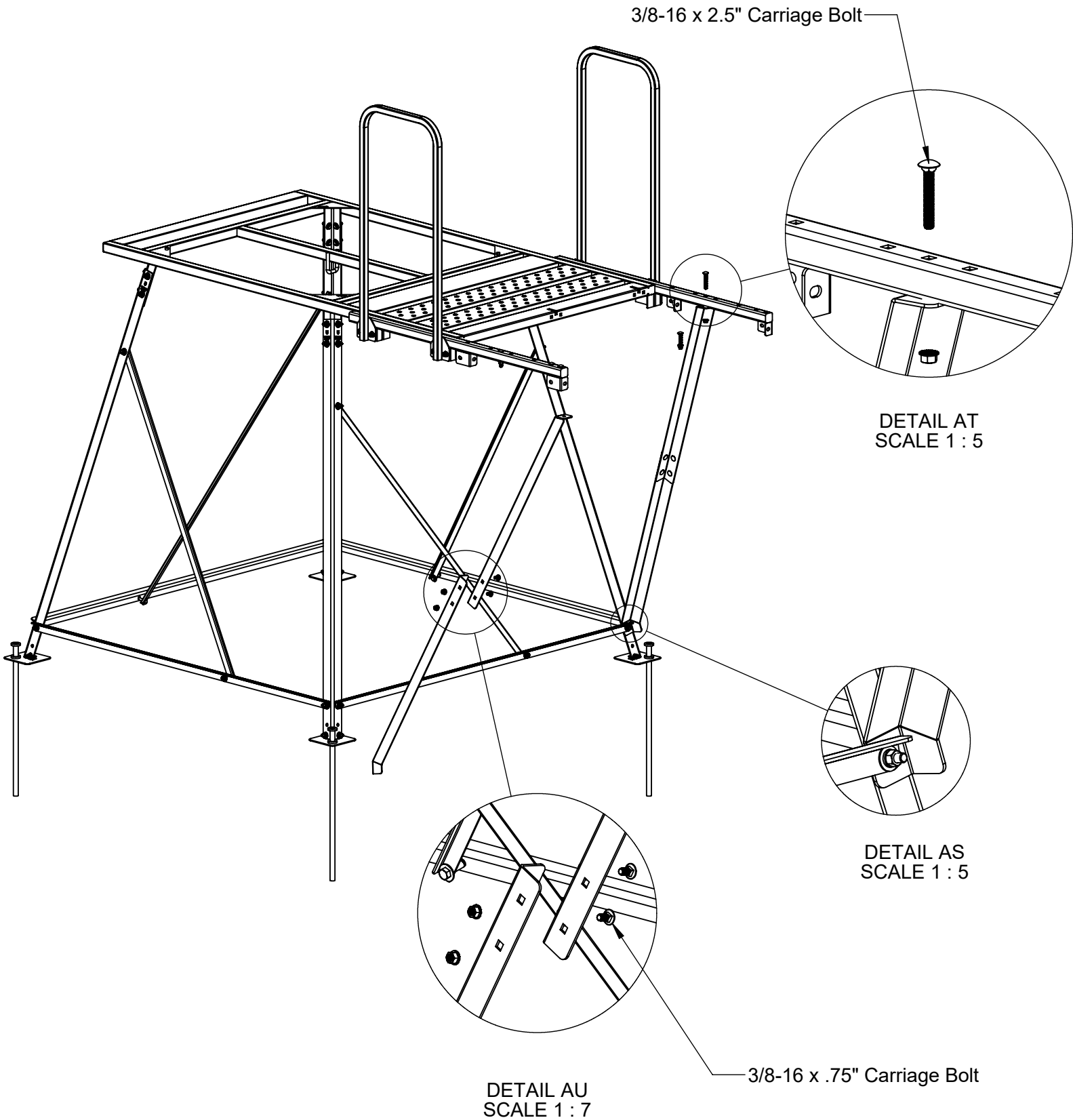
DETAIL AP  
SCALE 1 : 5

3/8-16 x 2.5" Flange Bolt

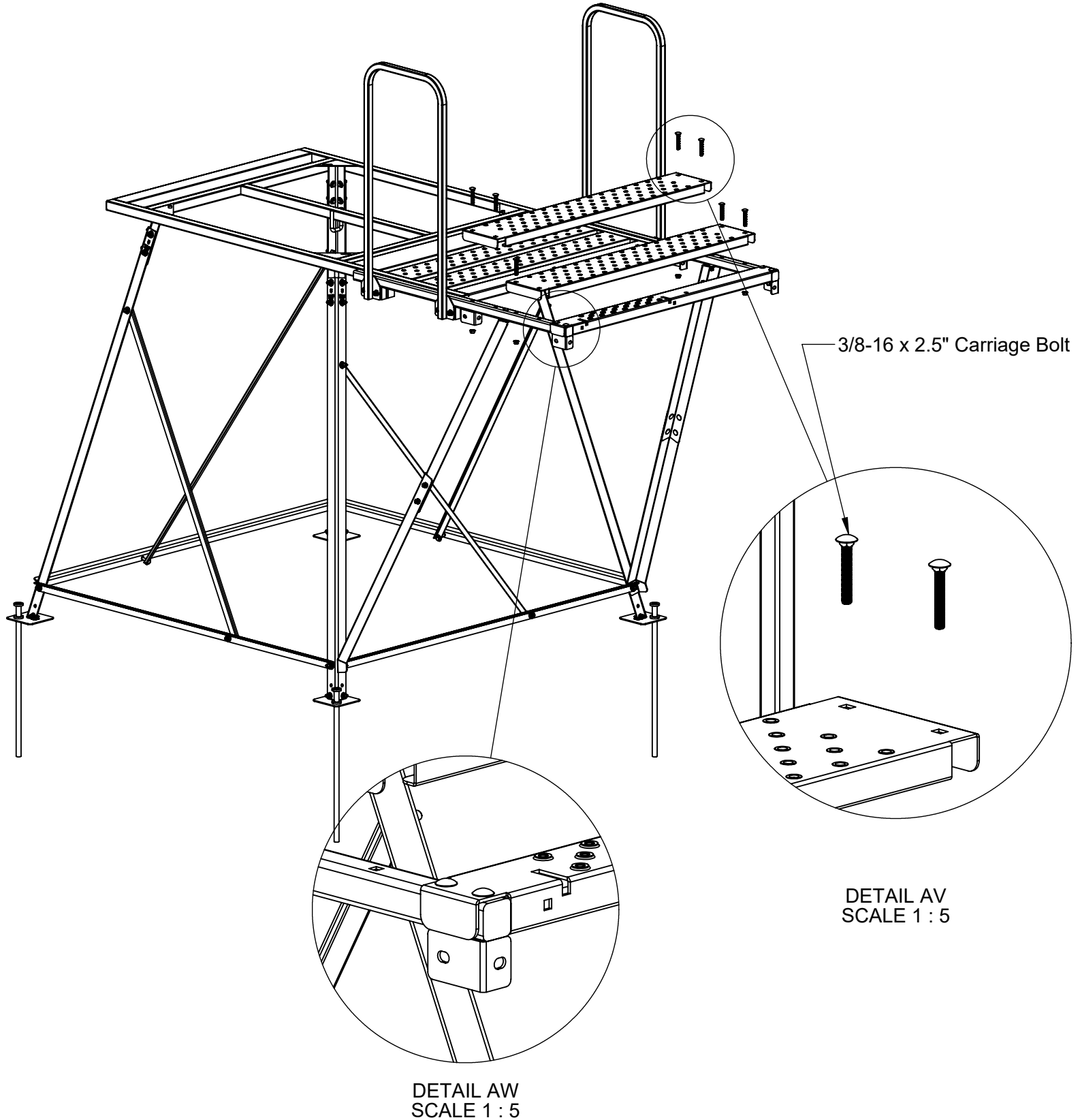


DETAIL AO  
SCALE 1 : 7

**STEP 2:** Find the (4) Porch Supports, there will be uppers, lowers and left and rights. Connect the upper and lower sections together with the (8) 3/8-16 x .75" Carriage Bolts as shown in detail AU. There will be (4) bolts on each Porch Support. With the flange on the outside, place the bottom of the porch support behind the top perimeter rail, see detail AS. With the bottom of the Porch Support attached, secure the top of the porch support with the 2.5" carriage bolt as shown in figure AT. This will be the 5th hole from the end. Repeat these steps for the other side.



**STEP3:** Find the (2) tread plates as well as the front tread channel and lay them on the rails as shown in the diagram below. Secure these to the platform using (12) 3/8-16 x 2.5" Carriage Bolts, secure them on the bottom side of the tube with the 3/8" lock nuts. Make sure to only get these finger tight. When putting on the front tread channel make sure the cutouts on the channel are on the front left of the stand as shown in detail AW. once all the steps up to this point are finished go ahead and tighten all of the hardware.



**STEP 4:** Place the left and right handrails onto the porch supports as shown in detail AX. Secure them with the 3/8-.875" Flange bolts, place these from the inside of the stand pointing outward. secure them with a flange nut on the outside. Each handrail will take (4) flange bolts and (4) nuts per handrail. Go ahead and tighten all of these down and into place. With both sides of the handrail in place secure the right side of the front handrail with (3) 3/8-16 x 2.5" carriage bolts and flange nuts. Go ahead and tighten these down as well. With the right side of the handrail in place, secure the left side of the front handrail with a 3/8-16x2.5" carriage bolt, inserted from the top down through the front tread channel. secure on the bottom with a flange nut. With all these steps finished make sure all the hardware is tightened and secure, then attach the ladder.

