



REDNECK HUNTING BLIND MAGNETIC CURTAIN SYSTEM INSTALLATION INSTRUCTIONS

STEP 1: Remove all parts from the packaging and familiarize yourself with all the parts required. Begin by installing the supplied metal window clips to the edge of the window making sure to face the contoured edges inward as illustrated in Figure 10.1 & 11.1 .

NOTE: Your blind may not be equipped with vertical corner windows. If that is the case, disregard Figure 10.1 .

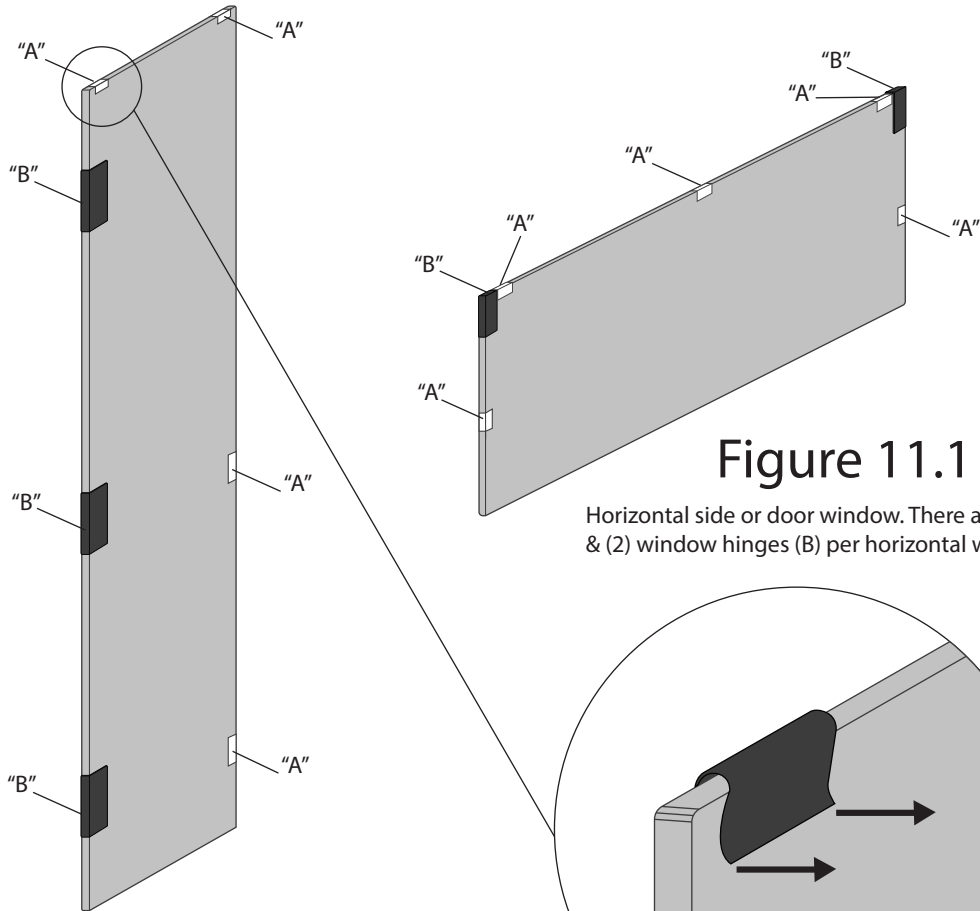


Figure 10.1

Vertical corner windows. There are (4) metal clips (A) & (3) window hinges (B) per vertical corner window.

Figure 11.1

Horizontal side or door window. There are (5) metal clips (A) & (2) window hinges (B) per horizontal window.

STEP 2: Locate the appropriate camo curtain for each window and apply to the corresponding metal clips. The camo curtain will be closest to the glass when installed.

Should you have any questions about the assembly, installation or use of this product, or any other Redneck Outdoor product, please call one of our customer service representatives toll free at 877-523-9986.