



REDNECK WINDOW TROUGH ASSEMBLY INSTRUCTIONS

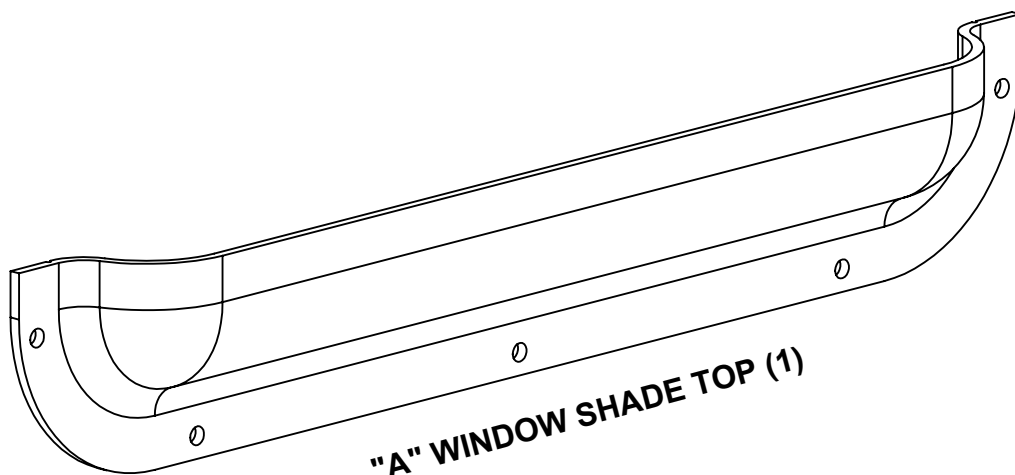
READ THESE INSTRUCTIONS IN THEIR ENTIRETY PRIOR TO ASSEMBLING THIS PRODUCT

WARNING! Do not remove, modify and/or omit any portion or otherwise mechanically modify this product(s) or its assemblies in any manner. Modification, misuse and/or part substitution shall immediately void your factory warranty. If you suspect that a part(s) is missing and/or defective, immediately discontinue all use of the product and contact Redneck Outdoor Products at 877-523-9986 for replacement of missing or defective parts.

NOTE: Some parts of this product are manufactured to be universal in use, so there may be some parts containing holes that will not be used in the assembly of this particular model. To minimize confusion in the assembly process, please read these instructions in their entirety before beginning.

Should you have any questions about the assembly, installation or use of this product, or any other Redneck Outdoor Products, please call one of our customer service representatives toll free at 877-523-9986.

-----BILL OF MATERIALS-----



HARDWARE



#10 x .750
Screw (22)



#10 Nylock Nut
(22)



#10 Nylon Washer
(44)

TOOLS REQUIRED (NOT INCLUDED)

- (1) Drill
- (1) 3/16" Drill Bit
- (1) Pliers
- (1) Phillips Head Screw Driver
- (1) 3/8" Wrench
- (1) Putty Knife
- (1) Tape Measure
- Tube of Silicone Caulk with Caulking Gun
(Black Silicone looks the best)

THERE WILL BE LEFT OVER HARDWARE

STEP 1: With a 3/16" drill bit drill out both of the rivets at the bottom of the window that hold the spring clips in place, as shown in figure 10.2. May be easier to drill the rivets out from the outside of the blind, may need to grab onto the back side of the rivets with a pair of pliers. you will not need these spring clips any more, you may keep them in case you need to replace another one later.

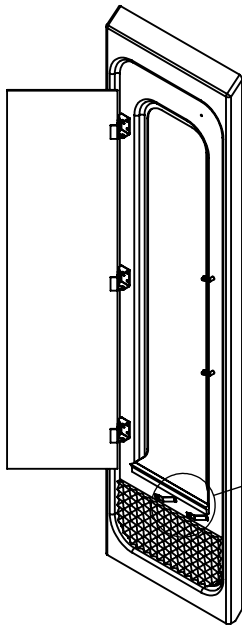


Figure 10.1

Figure 10.2

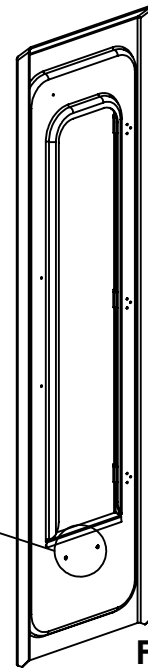
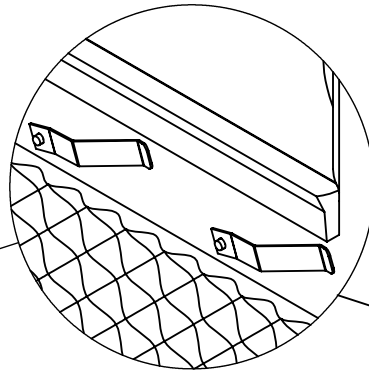


Figure 10.3

STEP 2: With the rivets drilled out of the blind and the spring clips out of the way you will need to trim a little of the carpet or foam off the wall. Trim the Carpet down by approximately 1.5", the overall height of the carpet or the foam should be 6". With the carpet or foam off the wall then make sure you take a putty knife and scrape any glue off of the panel. you will need a completely flat surface to make sure the bow trough seals against the panel good.

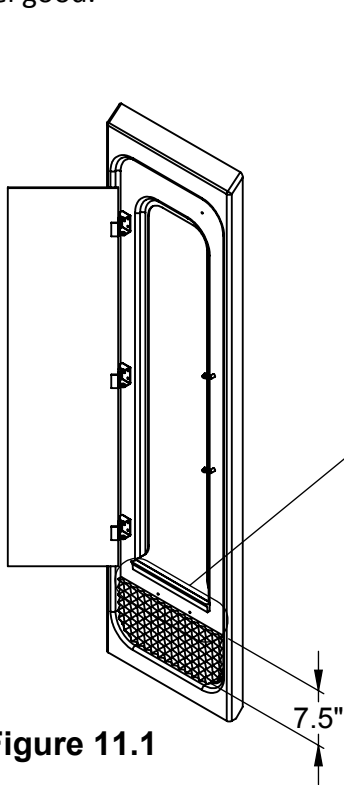


Figure 11.1

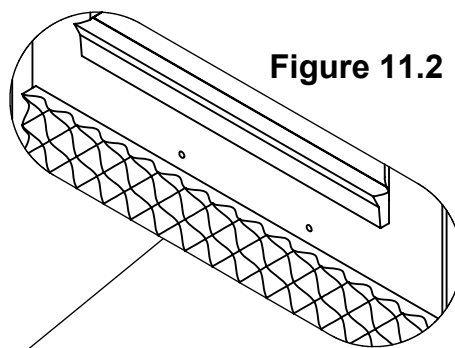


Figure 11.2

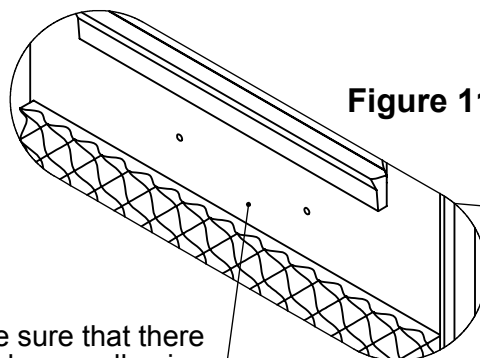


Figure 11.3

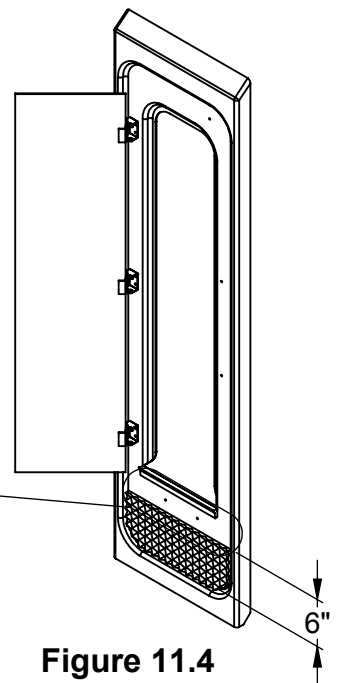


Figure 11.4

Make sure that there is no glue or adhesive on the panel once the foam or carpet is cut back.

STEP 3: With the foam or carpet cut and the glue cleaned off the panel, line up the Bow Window Trough along the bottom of the bow window, as shown in Figure 12.2. Make sure the Trough is level and centered between the glass and the opening. The inside of the bow trough needs to have enough room, so the holes from the spring clips are not covered by the bottom of the trough, see Figure 12.3, any water that is caught by the trough will run out of these holes. Once you have the trough in place make sure the window will close and clear the trough. Then take a marker and mark the holes, or hold the trough in place and drill all 5 holes using a 3/16" drill bit.

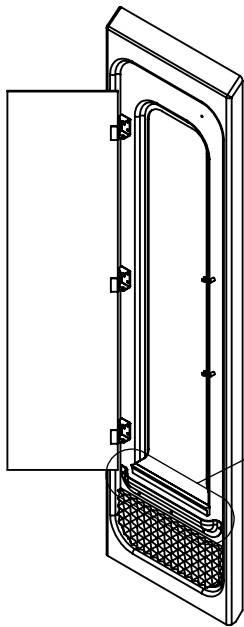


Figure 12.1

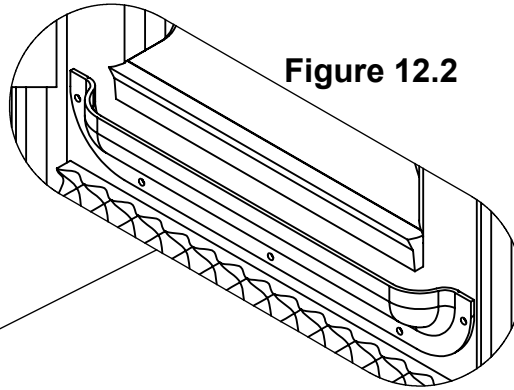


Figure 12.2

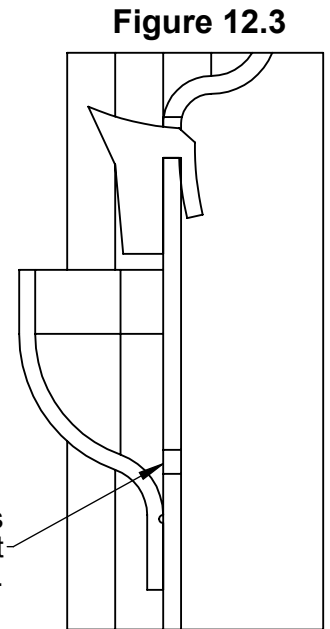
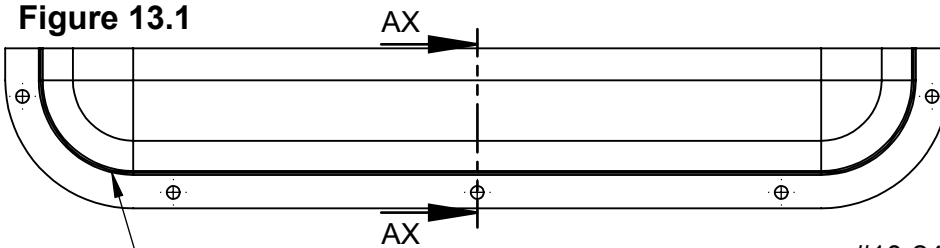


Figure 12.3

The holes from the spring clips need to be close to the bottom lip but far enough that they don't get covered.

STEP 4: With the holes drilled in the panel, take the Bow Window Trough and apply a 1/8" bead of silicone along the groove in the trough as seen in figure 13.1. With the silicone on the trough position it into place with the holes that are drilled in the panel. Take the hardware that was supplied and secure the trough to the panel as shown in figure 13.3. Insert the screws from the outside to the inside, do not fully tighten the screws until all the fasteners are in place. Once all screw are in place go back and tighten all the fasteners, make sure to not overtighten. With the trough in place look down from the top and make sure that no silicone is plugging the drain holes. If any silicone has smashed out into the trough, use your finger and smooth it out. Once finished repeat this step for the rest of the bow windows.

Figure 13.1



Fill this groove with a good 1/8" bead of silicone, make sure you stay along the track.



Figure 13.2

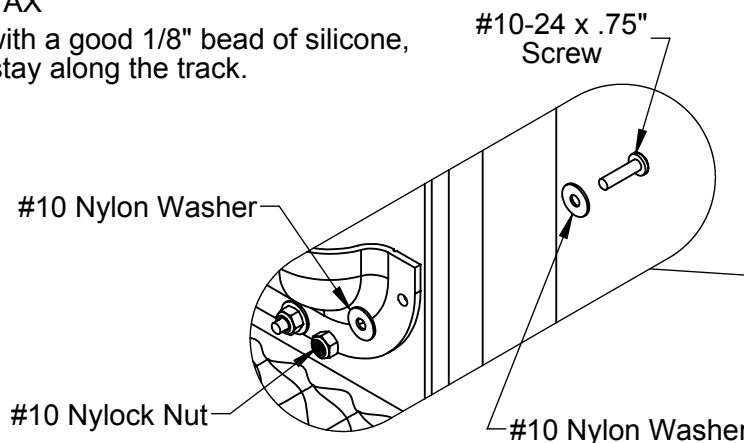


Figure 13.3

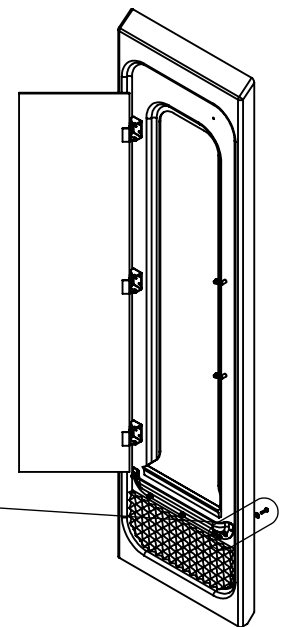


Figure 13.4