



REDNECK BLIND ACOUSTICAL FOAM KIT INSTRUCTIONS

Parts Included: Acoustical Foam Panels

Tools Required (Not Included): Construction Grade Adhesive & Caulk Gun

STEP 1: Remove all parts from packaging & familiarize yourself with all parts & tools required.

NOTE: For this installation, you will need some heavy-duty construction grade adhesive (not supplied).

STEP 2: Install the foam one piece at a time. Apply the adhesive to the back side of the foam in an "X" pattern and around the edges, as illustrated in Figure 11.1.

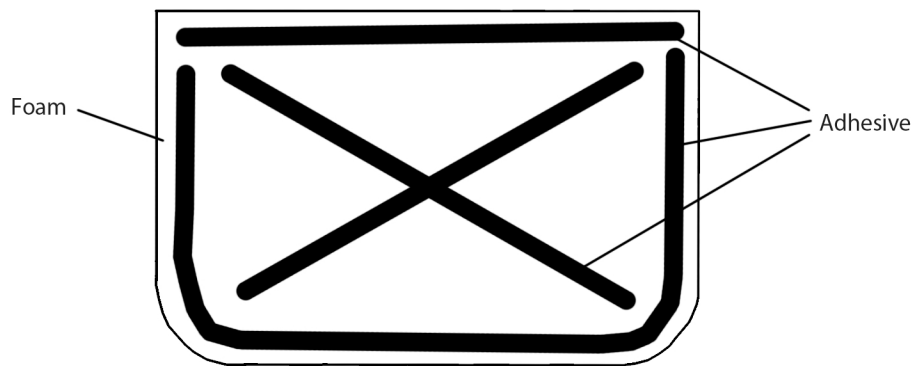


Figure 11.1

STEP 3: Install the foam in its corresponding location on the wall of your Redneck Blind, as illustrated in Figure 12.1.

NOTE: If there is carpet on the wall of your blind, APPLY THE FOAM DIRECTLY ONTO THE CARPET. There is no need to remove the existing carpet. The door and (3) of the walls will have foam installed above & below the window, the vertical bow window panel will have foam installed below the window only.

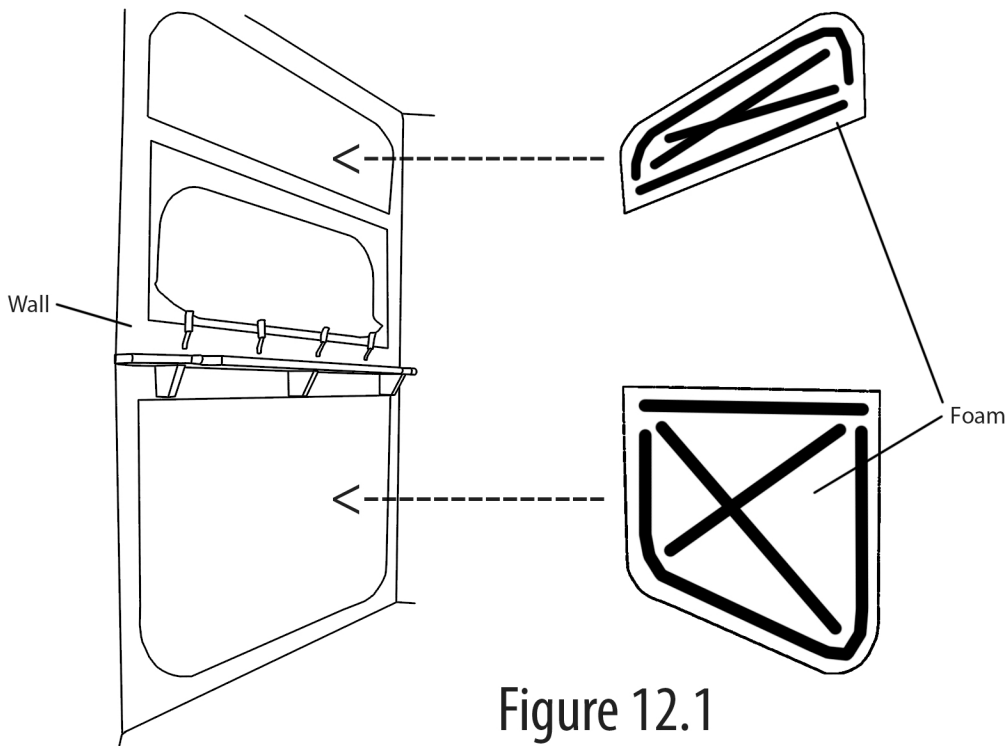


Figure 12.1

STEP 4: Repeat the process until all acoustical foam is installed in your blind.