



# 6X6 Buck Palace Support Bracket Installation Manual

Supplied with your 6X6 Redneck Blind are two support brackets that are used to provide additional support to the rear portion of the blind. Please follow the instructions for assembling your hunting blind and refer to these instructions when needed.

Before tightening the 3/8" x 2" bolts that attach your 6X6 Buck Palace to the Base Platform, slide the braces between the blind and platform as shown in Figure 1.1. Slide the braces toward the rear of the platform until the hook catches on the 3/8" x 2" bolt. Ensure that the vertical leg of the brace indicated in Figure 1.2 is flush with the side of the platform. Fasten the hardware.

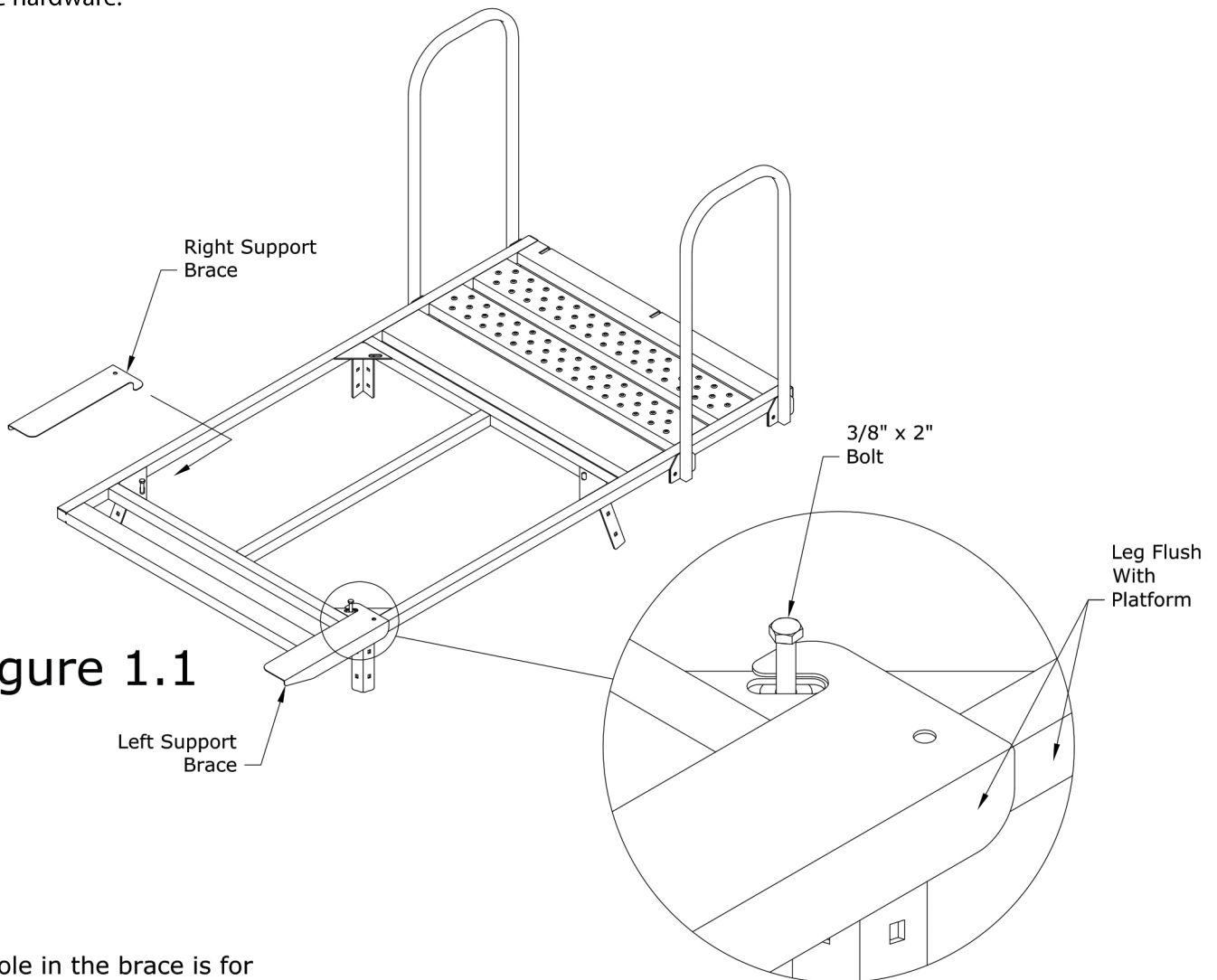


Figure 1.1

Figure 1.2

\*The hole in the brace is for manufacturing purposes only and will not be used for blind assembly

Should you have any questions about the assembly, installation or use of this product, or any other Redneck Manufacturing product, please call one of our customer service representatives toll free at 877-523-9986.

READ THESE INSTRUCTIONS IN ENTIRETY PRIOR TO ASSEMBLING THIS PRODUCT