

# The Tool for All Trades

# LT52

## LT52 Laser Tool

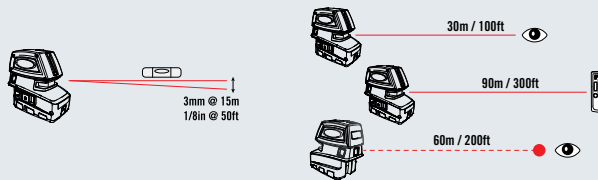
### Specifications

<b>Accuracy</b>	1/8" @ 50 ft (3mm @ 15m)
<b>Visual Distance - Points</b>	200 ft (60m)
<b>Visual Distance - Lines</b>	100 ft (30m)
<b>Receiver Distance - HR220</b>	300 ft (90m)
<b>Laser Power</b>	Less than 1mw
<b>Laser Class</b>	Class 2
<b>Batteries</b>	4 x AA
<b>Battery Life</b>	56 hours - Points 11 hours - Lines
<b>Out of Level Indication</b>	Flashing beam, triple flash every 10 sec
<b>Self Leveling Range</b>	3° ±1° all directions
<b>Dust and Water Resistance</b>	IP54
<b>Operating Temperature</b>	14° to 113° F (-10° to 45° C)
<b>Storage Temperature</b>	-4° to 140° F (-20° to 60° C)
<b>Size (L x W x H)</b>	5.7 x 3.0 x 5.9 in (145 x 78 x 138 mm)
<b>Weight</b>	1.5 lb (0.68 kg)
<b>Warranty</b>	3 Years

3 Year Warranty includes Free Instant Over-the-Counter Exchange for the first 2 years and supplemental charge for the 3rd year.



Warranty Covers 3 foot (1 m) drop.



### Contact Information:

**NORTH AMERICA**  
Trimble Spectra Precision Division  
5475 Kellenburger Road  
Dayton, Ohio 45424 U.S.A.  
Toll Free +1-888-272-2433  
Fax +1-937-245-5489  
[www.spectralasers.com](http://www.spectralasers.com)

**EUROPE**  
Trimble Kaiserslautern GmbH  
Am Sportplatz 5  
67661 Kaiserslautern  
GERMANY  
Phone +49-6301-711414  
Fax +49-6301-32213

© 2016, Trimble Navigation Limited. All rights reserved. Trimble, the Globe & Triangle logo and Spectra Precision are trademarks of Trimble Navigation Limited, registered in the United States Patent and Trademark office and in other countries. All other trademarks are the property of their respective owners.

PN 022507-444 (06/16)



## The Tool for All Trades



## Versatile, Bright and Tough

The LT52 eliminates the need to purchase two tools by combining a 5 beam pointer and a crossline laser into one product.

- Versatile tool does multiple jobs – set it up once and work plumb, level and square in the whole area
- Automatic self-leveling assures accuracy and fast setup
- The industry's brightest crosslines and points for easy viewing in interior conditions – points are visible up to 200 feet (60 m)
- Wide 210° horizontal line intersects side points; Vertical up beam intersects up point
- Down point clears floor track, no additional accessory required
- Long battery life – 56 hours for pointer on alkaline batteries
- Water, mud, and shock resistant – able to withstand a 3 foot (1 m) drop onto concrete... IP54 rated

## The Tool for All Trades

Designed for interior building and remodeling, the LT52 is used for many horizontal and vertical alignment tasks. Wall layout, acoustic ceiling installation, point transfer up and down, wall and floor tiles, finish carpentry and 90 degree squaring are all accomplished with one tool.

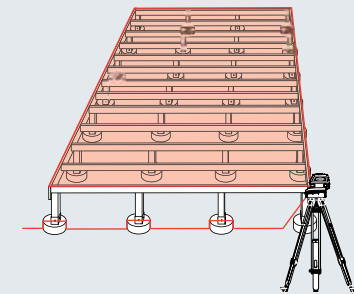
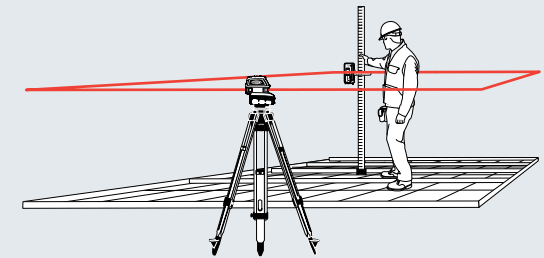
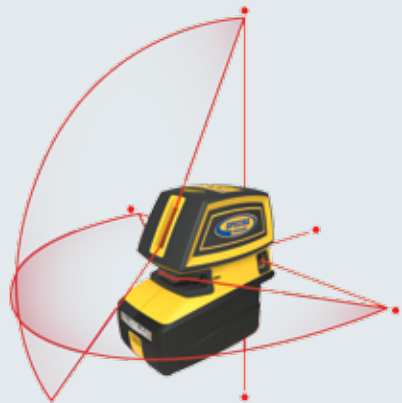
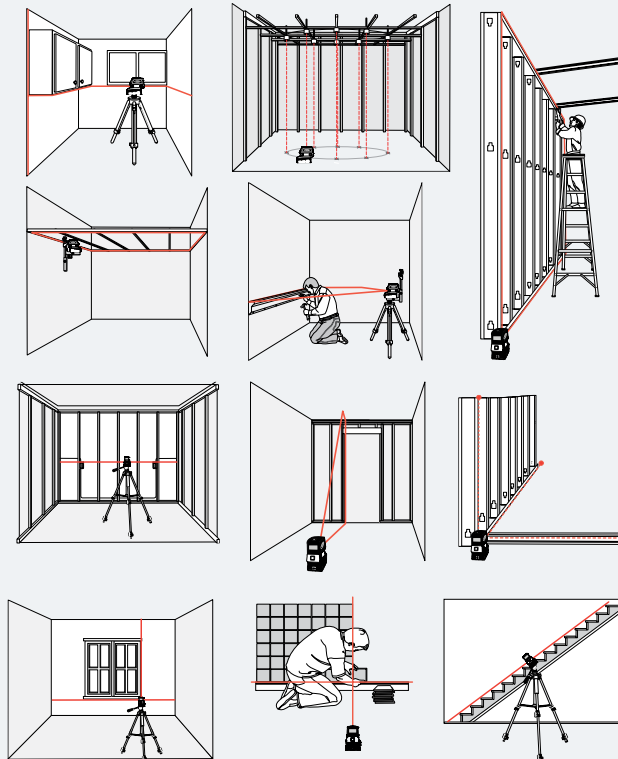
Wall crews, mechanical installers, plumbers, electricians, carpenters – all can increase accuracy and productivity.

## HR220 Receiver

With the addition of the HR220 Line Receiver, the LT52 is ideal for short-range exterior general leveling and alignment tasks including elevation checks for decks, pools, masonry work, septic tank installation, and landscaping.



## Applications



LT52 Package



LT52-2 Package