

KEY FEATURES

Performance

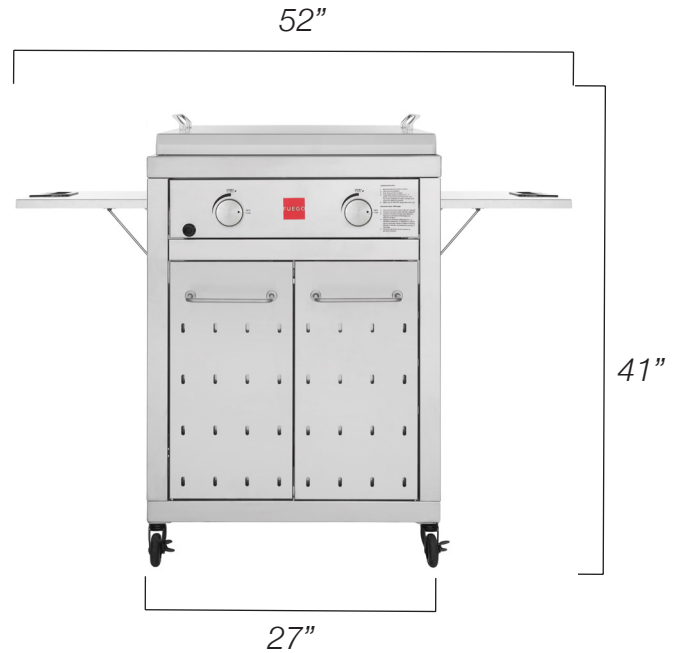
- Two U Shaped 304 SS Burners
- Combined 40,000 BTU/hr
- 400 sq. in. griddle surface
- Overall temperatures range from 300F to 600F
- Heats up to 400F in just 5 minutes

Features & Benefits

- All 304 Stainless Steel Construction
- Fully Assembled Packaging
- LED Backlit Control Knobs (Battery Operated)
- Completely Welded Firebox
- Recessed Foldable Shelves For Compact Footprint
- Push Button Electronic Ignition
- Easy-To-Clean Hidden Residue Tray
- Heavy Duty 8mm Solid 304SS Cooking Griddle
- Easy To Remove Griddle Top Cover
- NG and LP Options Available
- Limited Lifetime Warranty

Optional Accessories

- FSAOC3 - Outdoor Cover (2 Color Choices)



LED Backlit Knobs



Premium Burners



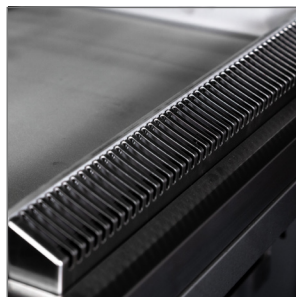
Recessed Side Shelves



Heavy Duty 8mm Griddle



Griddle Top Cover



Rear Top Vents



Meat, Veggies & More



Hidden Residue Tray



TECHNICAL SPECS

Dimensions:	27" W 24" D 41" H
Package Dimensions:	34" W 30" D 52" H
Package Weight:	189 Pounds
Gas Requirements:	40,000 BTU/hr Natural Gas and Propane Options
Grill Type:	Freestanding
Clearance To Combustibles:	Sides: 24" Rear: 24"

