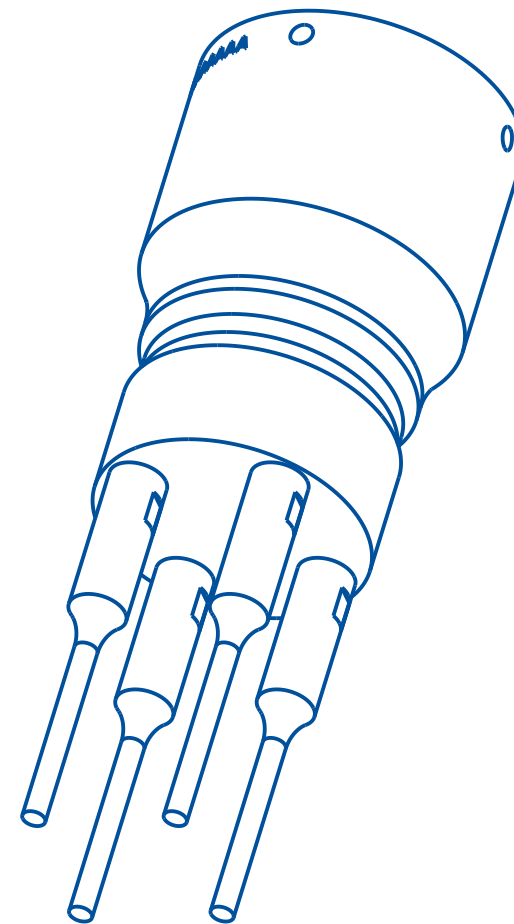
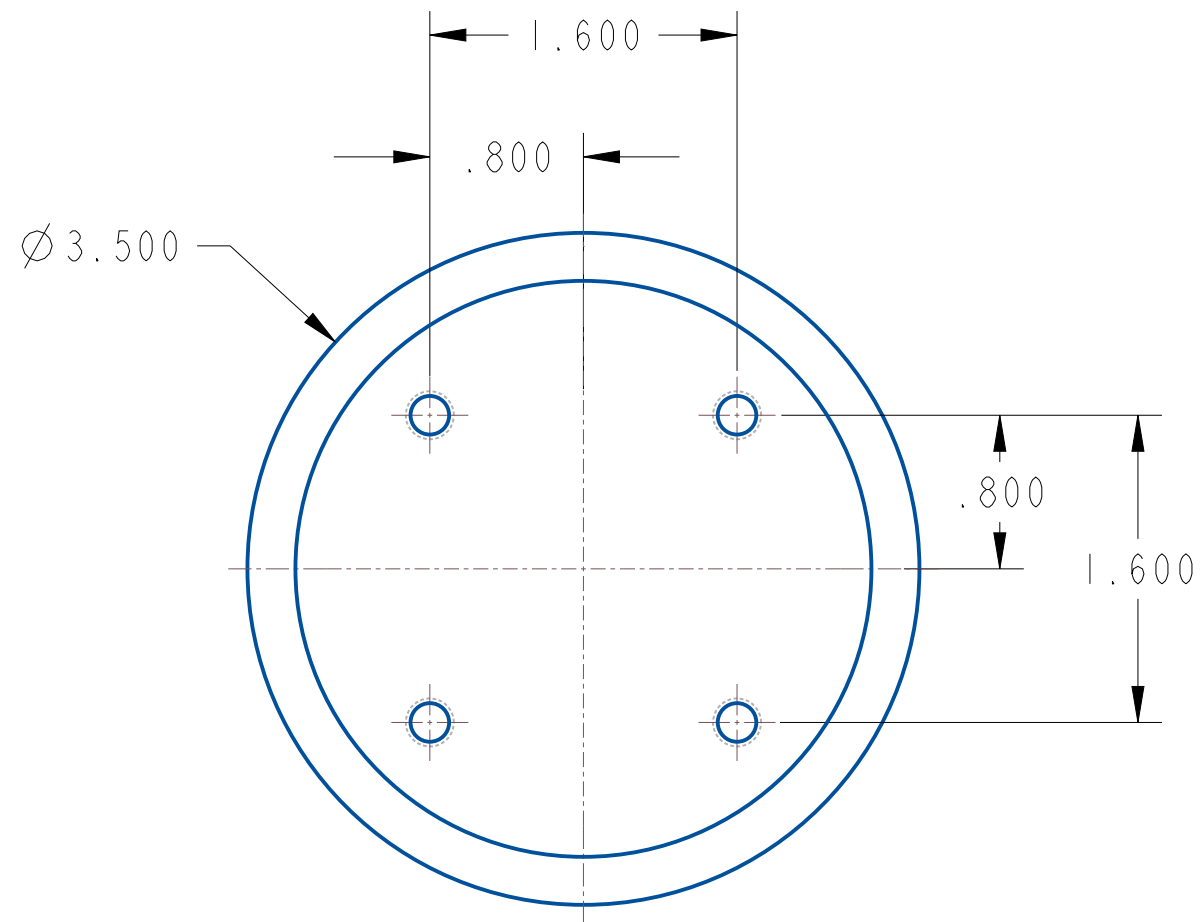


REV	DESCRIPTION	APPRV	DATE
D			



TIP TO TIP SPACING
IS 1.600 INCHES (41MM)

CONFIDENTIAL INFORMATION

THE INFORMATION AND DATA CONTAINED HEREIN IS PROPRIETARY AND IS SUBMITTED IN CONFIDENCE, AND SHALL NOT BE DISCLOSED, USED OR DUPLICATED FOR ANY PURPOSE WHATSOEVER WITHOUT THE PRIOR WRITTEN PERMISSION OF SONICS AND MATERIALS INC., NEWTOWN CT. THIS LEGEND SHALL BE MARKED ON ANY REPRODUCTIONS HEREOF IN WHOLE OR IN PART. RECEIPT OF THIS DOCUMENT SHALL BE DEEMED TO BE AN ACCEPTANCE OF THE CONDITIONS SPECIFIED HEREIN.

VERSION	D.2
FILE LOCATION	/Products/Horns and Fixtures

TOLERANCES	
DECIMAL	FRACTIONAL
.X=±.030	± 1/64
.XX=±.015	ANGULAR
.XXX=±.005	±1/2°

QSONICA 53 CHURCH HILL RD.
NEWTOWN, CT 06470

**20 KHZ PRIMARY HORN
FOR 630-0435 MICROTIPS**

DRAWN BY AHR	DATE 4/6/21	LIFECYCLE Released
LEGACY DWG NO. A12214PRB20	SCALE 1:000	MATERIAL ALUMINUM
SIZE B	DRAWING NUMBER #4674	REV D
SHEET 4 OF 4		