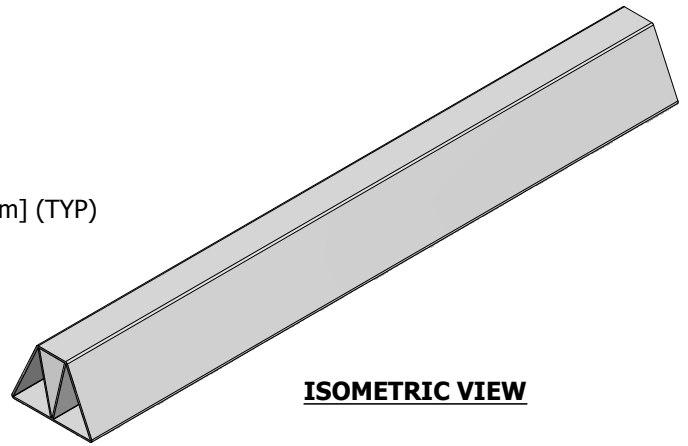
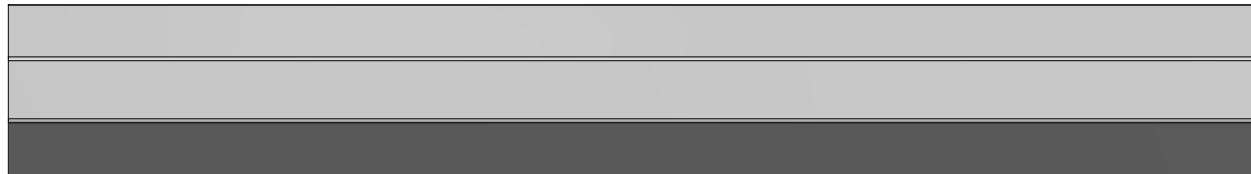


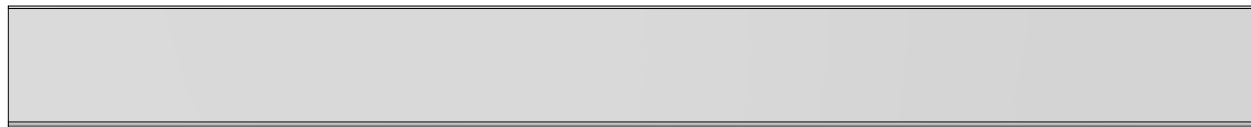
SECTION VIEW



ISOMETRIC VIEW



TOP VIEW



36 in [914.4 mm]

SIDE VIEW

PRODUCT DESCRIPTION

The RSS3 Rooftop Sleeper product is designed to support a variety of small electrical pipe, conduit and walkway planks. The RSS3 is manufactured through a plastic extrusion process using 100% recycled PVC material. The support is designed for installation without roof penetrations, flashing or damage to roofing material and can be used on any commercial roofing system. The RSS3 is a cost-effective, lightweight solution that can be cut to the desired length. The RSS3 comes in stock lengths of 36" (914.4 mm) and can be cut to length as needed. Suggested minimum length is 6" (152.4 mm) to provide adequate stability.

PIPE CLEARANCE - 3-1/2" (88.7 mm) off the roof.

SUGGESTED ROOFTOP LOADING - Not to exceed 146.25 lbs/ft (217.64 kg/m)

SPACING - Supports should not exceed 10' (3 m) on center.

WARRANTY INFORMATION - 2 year limited warranty